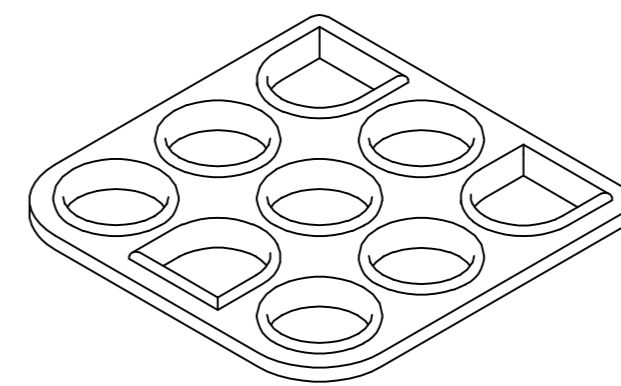
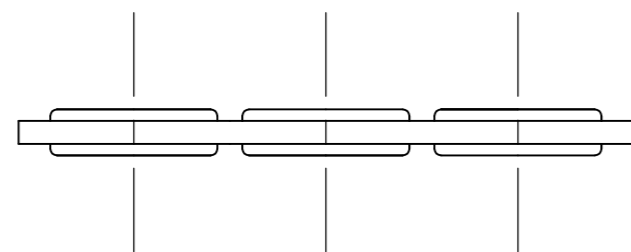
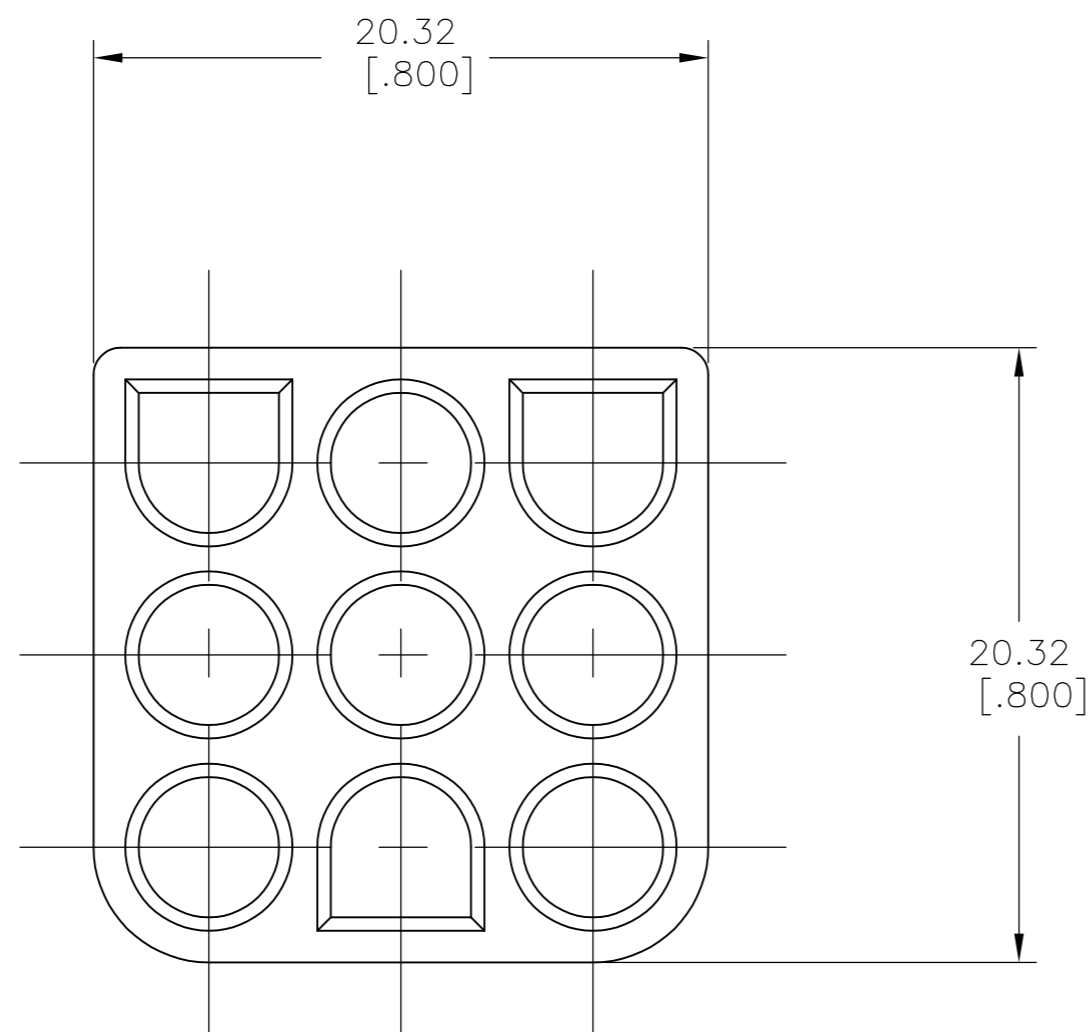


THIS DRAWING IS UNPUBLISHED. RELEASED FOR PUBLICATION
 © COPYRIGHT - By - ALL RIGHTS RESERVED.


LOC	DIST	REVISIONS					
		P	LTR	DESCRIPTION	DATE	DWN	APVD
CM	53						
		C		REVISED PER ECR-12-011218	08OCT12	KH	TM

- 1 MATERIAL: SELF LUBRICATING SILICON RUBBER
COLOR: BLUE
- 2 DIMENSIONS IN BRACKETS ARE IN INCHES.



3-DIMENSIONAL MODEL
NTS

794277-1
PART NUMBER

THIS DRAWING IS A CONTROLLED DOCUMENT.		DWN B. LEWIS 3-25-97	 TE Connectivity	
DIMENSIONS: mm [INCHES]		CHK R. SWING 3-25-97		
TOLERANCES UNLESS OTHERWISE SPECIFIED:		APVD D. SELF 3-25-97	NAME INTERFACE SEAL,9 CIRCUIT, UNIVERSAL MATE-N-LOK™	
0 PLC ± - 1 PLC ± - 2 PLC ± 0.38[.015] 3 PLC ± - 4 PLC ± - ANGLES ± 0°30'		PRODUCT SPEC -	SIZE A2	
MATERIAL 1		FINISH -	CAGE CODE 00779	DRAWING NO C=794277
		WEIGHT -	RESTRICTED TO -	
		CUSTOMER DRAWING		SCALE 4:1 SHEET 1 of 1 REV C