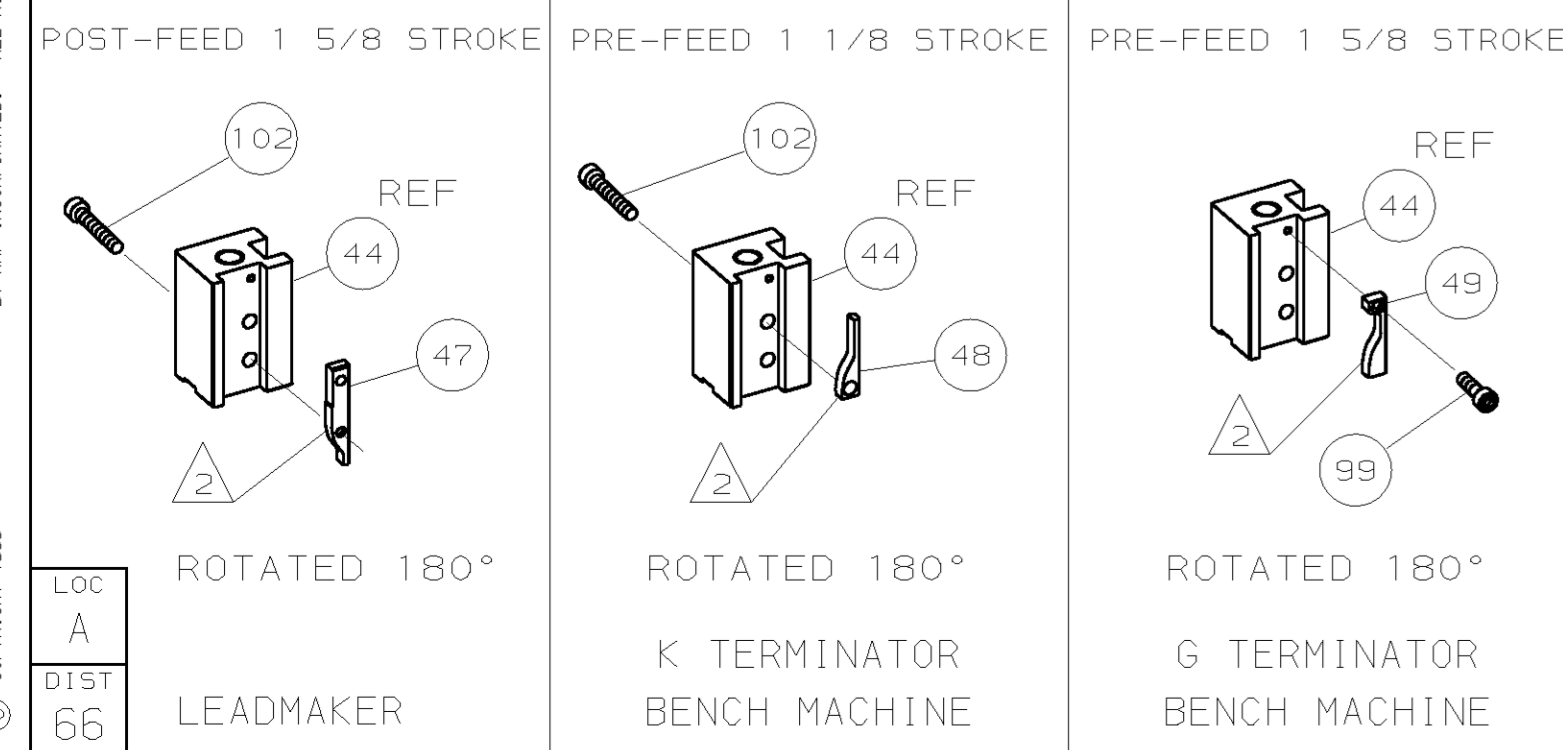
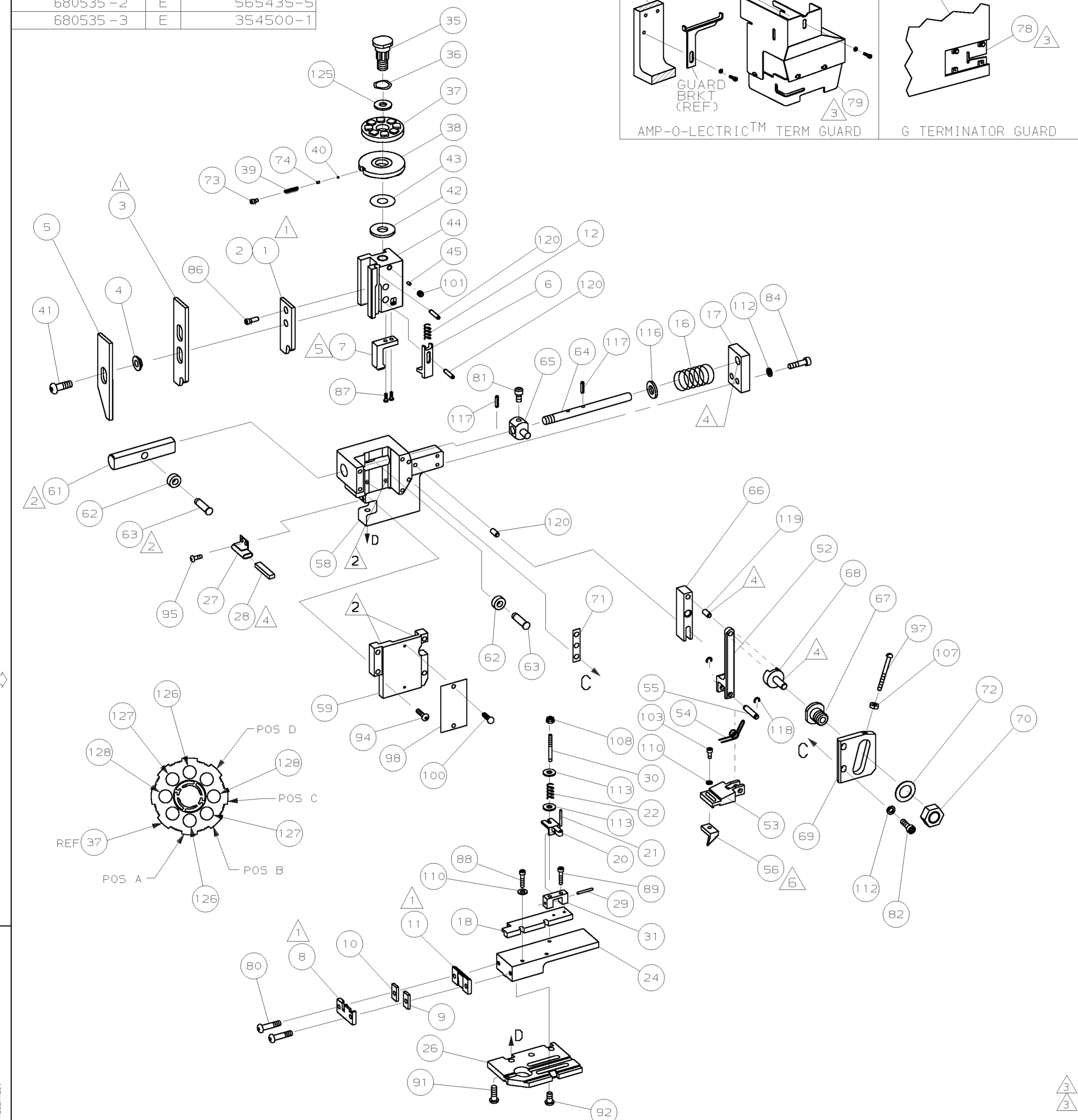
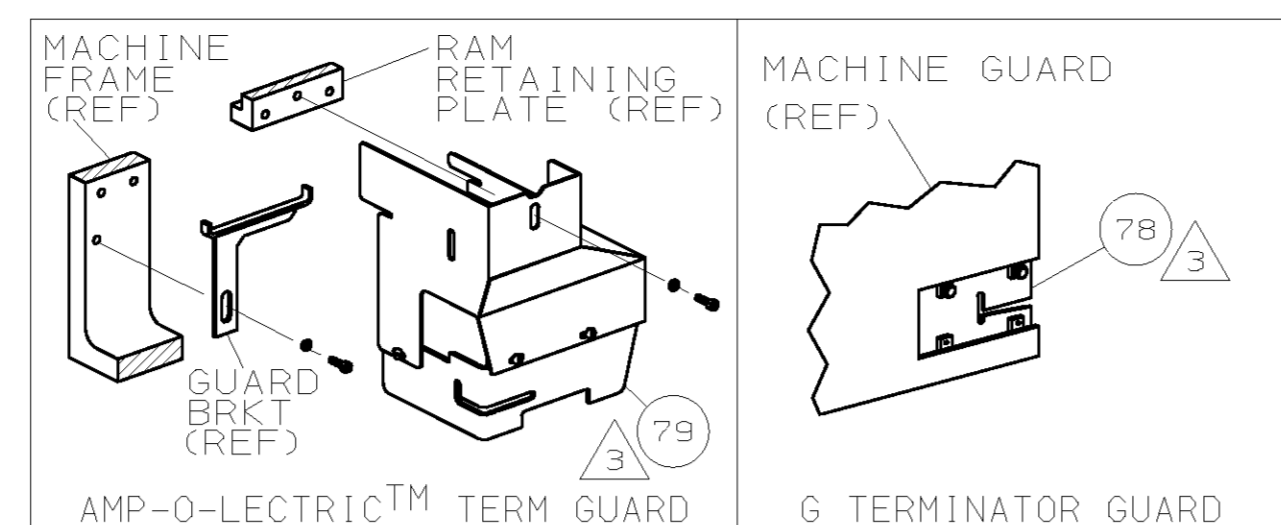


PART NUMBER	REV	FIRST USED
680535-1	E	122500-1
680535-2	E	565435-5
680535-3	E	354500-1



- 1 RECOMMENDED SPARE PARTS.
- 2 GREASE LIGHTLY.
- 3 GUARD MUST BE IN PLACE WHEN OPERATING APPLICATOR IN A BENCH MACHINE.
- 4 LUBRICATE DAILY USING NO. 20 MACHINE OIL.
- 5 SPACE ITEM 7 .008" FROM ITEM 1.
- 6 POSITION FEED FINGER TO FEED TERMINAL BETWEEN RECEPTICAL AND EDGE OF CARRIER.

TERMINAL NAME: RECEPTACLE, FASTON,™FLAG, .187 SERIES									
CRIMPING DATA									
WIRE STRIP LENGTH				TERM APPL	SPEC	FEED	APPL INSTRUCTION	SET UP GAGE	LAYOUT
.156-.188				114-2155	.650	408-8039	NONE	L2051	
PAD LTR	CRIMP HEIGHT	WIRE SIZE							
A	.063 ± .002 [1.60 ± 0.05mm]	16							
B	.059 ± .002 [1.50 ± 0.05mm]	18							
C	.057 ± .002 [1.45 ± 0.05mm]	20							
D	NOT USED								
CRIMP	SIZE	TYPE	RANGE						
WIRE	.090 [2.29mm]	C	20-16						
INSUL	.130 [3.30mm]	C	∅.090-.130						
QTY REOD PER ASSY	PARTS LIST								
2	2	2	-	C	1-354779-4	PIN, WIRE DISC (.3060)C	129		
2	2	2	-	C	1-354779-0	PIN, WIRE DISC (.3040)B	127		
2	2	2	-	C	354779-2	PIN, WIRE DISC (.3000)A	126		
1	1	1	-	A	986950-1	WASHER, FLAT PRECISION	125		
1	1	1	-	A	217238-1	GENERAL INSTRUCTION PACKAGE	124		
1	1	1	-	-	4088039	EF APPL INST 408-8039	123		
2	2	2	-	A	4-21028-9	PIN,SLTD SPRING(∅.125x.375)	120		
1	1	1	-	A	1-21030-1	PIN,DOWEL(∅.187x.50)LEVER	119		
2	2	2	-	A	21045-3	RING,RET"C"(∅.187)FD PIN	118		
2	2	2	-	A	5-21028-1	PIN,STD SPRING(∅.12)FD ADJ ROD	117		
1	1	1	-	A	21899-4	WASHER,FLAT(∅5/16)SCR ADJ	116		
2	2	2	-	A	21899-2	WASHER,FLAT(#10)	113		
4	4	4	-	A	21024-5	WASHER,LOCK(NO.10)FD ROD GDE	112		
3	3	3	-	A	21024-4	WASHER,LOCK(NO.8)ST GDE	110		
1	1	1	-	A	21022-3	NUT,HEX SL(10-32)DRAG STUD	108		
1	1	1	-	A	21018-5	NUT,HEX(6-32)FD ADJ PL	107		
1	1	1	-	A	2-22603-0	SCR,HEX HD(8-32x.31)FEED FINGER	103		
1	1	1	-	A	3-21000-9	SCR,SHC(10-32x1.00)CAM	102		
1	1	1	-	A	21009-2	SCR,SKT SET(1/4-20x.25)RAM	101		
2	2	2	-	A	21017-2	SCR,DRIVE(#2x.19)ID PLATE	100		
1	1	1	-	A	1-21002-7	SCR,BHC(6-32x.38)CAM	99		
1	1	1	-	B	461264-1	PLATE,IDENTIFICATION	98		
1	1	1	-	A	6-23715-5	SCR,PAN HD(6-32x1.50)FEED ADJ	97		
2	2	2	-	A	2-21002-1	SCR,BHC(8-32x.38)HOLDER	95		
4	4	4	-	A	2-21002-9	SCR,BHC(10-32x.75)H5G CAP	94		
4	4	4	-	A	3-21002-3	SCR,BHC(1/4-20x.50)ST GD PL	92		
3	3	3	-	A	2-22733-8	SCR,BHC(1/4-20x.62)BASE PL	91		
2	2	2	-	A	2-21000-8	SCR,SHC(8-32x.62)DRAG MOUNT	89		
2	2	2	-	A	2-21000-9	SCR,SHC(8-32x.75)STRIP GUIDE	88		
2	2	2	-	A	1-21002-8	SCR,B5HC(6-32x.50)SLUG BLADE	87		
1	1	1	-	A	2-21000-6	SCR,SHC(8-32x.38)CRIMPER	86		
2	2	2	-	A	3-21000-7	SCR,SHC(10-32x.75)FEED ROD GDE	84		
2	2	2	-	A	3-21000-6	SCR,SHC(10-32x.62)FEED ADJ PL	82		
1	1	1	-	A	3-21000-4	SCR,SHC(10-32x.38)PIVOT BLOCK	81		
2	2	2	-	A	4-21000-1	SCR,BHC(10-32x.88)SHEAR PL	80		
-	REF	-	-	A	455745-1	GUARD,WINDOW	79		
REF	-	-	-	A	679532-1	INSERT,GUARD	78		
1	1	1	-	A	690603-1	SPRING,ASSIST	74		
1	1	1	-	A	23030-1	SCR,SKT CAP(6-32x.25)CP DSC	73		
1	1	1	-	A	458109-1	WASHER,FLAT(SPECIAL)	72		
1	1	1	-	A	690517-1	SPACER	71		

-1 LEADMAKER &				MECH POST FEED			
-2 BENCH MODEL K				MECH PRE FEED			
-3 BENCH MODEL G				MECH PRE FEED			
1	1	1	-	A	22594-8	NUT, HEX	70
1	1	1	-	B	240628-1	PLATE, ADJ	69
1	1	1	-	B	240626-1	SHAFT, PIVOT	68
1	1	1	-	B	240633-1	BUSHING	67
1	1	1	-	A	455680-1	LEVER, INTERMEDIATE	66
1	1	1	-	B	240629-1	BLOCK, PIVOT	65
1	1	1	-	A	240632-2	SCR, ADJ	64
1	1	1	-	B	240659-3	PIN, CAM ROLLER	63
1	1	1	-	B	240658-1	CAM, ROLLER	62
1	1	1	-	B	454398-1	ROD, FEED	61
1	1	1	-	C	454220-9	CAP, RAM	59
1	1	1	-	D	453736-5	HOUSING	58
1	1	1	-	B	224716-1	PAWL, FEED	56
1	1	1	-	B	240624-1	PIN, FEED FINGER	55
1	1	1	-	B	691499-1	SPRING, FEED FINGER	54
1	1	1	-	B	690541-1	HOLDER, FEED FINGER	53
1	1	1	-	B	455679-2	LEVER, TERMINAL	52
1	1	1	-	C	454220-9	CAP, RAM	59
1	1	1	-	D	453736-5	HOUSING	58
1	1	1	-	B	224716-1	PAWL, FEED	56
1	1	1	-	B	240624-1	PIN, FEED FINGER	55
1	1	1	-	B	691499-1	SPRING, FEED FINGER	54
1	1	1	-	B	690541-1	HOLDER, FEED FINGER	53
1	1	1	-	B	455679-2	LEVER, TERMINAL	52
1	1	1	-	C	454220-9	CAP, RAM	59
1	1	1	-	D	453736-5	HOUSING	58
1	1	1	-	B	224716-1	PAWL, FEED	56
1	1	1	-	B	240624-1	PIN, FEED FINGER	55
1	1	1	-	B	691499-1	SPRING, FEED FINGER	54
1	1	1	-	B	690541-1	HOLDER, FEED FINGER	53
1	1	1	-	B	455679-2	LEVER, TERMINAL	52
1	1	1	-	C	454220-9	CAP, RAM	59
1	1	1	-	D	453736-5	HOUSING	58
1	1	1	-	B	224716-1	PAWL, FEED	56
1	1	1	-	B	240624-1	PIN, FEED FINGER	55
1	1	1	-	B	691499-1	SPRING, FEED FINGER	54
1	1	1	-	B	690541-1	HOLDER, FEED FINGER	53
1	1	1	-	B	455679-2	LEVER, TERMINAL	52
1	1	1	-	C	454220-9	CAP, RAM	59
1	1	1	-	D	453736-5	HOUSING	58
1	1	1	-	B	224716-1	PAWL, FEED	56
1	1	1	-	B	240624-1	PIN, FEED FINGER	55
1	1	1	-	B	691499-1	SPRING, FEED FINGER	54
1	1	1	-	B	690541-1	HOLDER, FEED FINGER	53
1	1	1	-	B	455679-2	LEVER, TERMINAL	52
1	1	1	-	C	454220-9	CAP, RAM	59
1	1	1	-	D	453736-5	HOUSING	58
1	1	1	-	B	224716-1	PAWL, FEED	56
1	1	1	-	B	240624-1	PIN, FEED FINGER	55
1	1	1	-	B	691499-1	SPRING, FEED FINGER	54
1	1	1	-	B	690541-1	HOLDER, FEED FINGER	53
1	1	1	-	B	455679-2	LEVER, TERMINAL	52
1	1	1	-	C	454220-9	CAP, RAM	59
1	1	1	-	D	453736-5	HOUSING	58
1	1	1	-	B	224716-1	PAWL, FEED	56
1	1	1	-	B	240624-1	PIN, FEED FINGER	55
1	1	1	-	B	691499-1	SPRING, FEED FINGER	54
1	1	1	-	B	690541-1	HOLDER, FEED FINGER	53
1	1	1	-	B	455679-2	LEVER, TERMINAL	52
1	1	1	-	C	454220-9	CAP, RAM	59
1	1	1	-	D	453736-5	HOUSING	58
1	1	1	-	B	224716-1	PAWL, FEED	56
1	1	1	-	B	240624-1	PIN, FEED FINGER	55
1	1	1	-	B	691499-1	SPRING, FEED FINGER	54
1	1	1	-	B	690541-1	HOLDER, FEED FINGER	53
1	1	1	-	B	455679-2	LEVER, TERMINAL	52
1	1	1	-	C	454220-9	CAP, RAM	59
1	1	1	-	D	453736-5	HOUSING	58
1	1	1	-	B	224716-1	PAWL, FEED	56
1	1	1	-	B	240624-1	PIN, FEED FINGER	55
1	1	1	-	B	691499-1	SPRING, FEED FINGER	54
1	1	1	-	B	690541-1	HOLDER, FEED FINGER	53
1	1	1	-	B	455679-2	LEVER, TERMINAL	52
1	1	1	-	C	454220-9	CAP, RAM	59
1	1	1	-	D	453736-5	HOUSING	58
1	1	1	-	B	224716-1	PAWL, FEED	56
1	1	1	-	B	240624-1	PIN, FEED FINGER	55
1	1	1	-	B	691499-1	SPRING, FEED FINGER	54
1	1	1	-	B	690541-1	HOLDER, FEED FINGER	53
1	1	1	-	B	455679-2	LEVER, TERMINAL	52
1	1	1	-	C	454220-9	CAP, RAM	59
1	1	1	-	D	453736-5	HOUSING	58
1	1	1	-	B	224716-1	PAWL, FEED	56
1	1	1	-	B	240624-1	PIN, FEED FINGER	55
1	1	1	-	B	691499-1	SPRING, FEED FINGER	54
1	1	1	-	B	690541-1	HOLDER, FEED FINGER	53
1	1	1	-	B	455679-2	LEVER, TERMINAL	52
1	1	1	-	C	454220-9	CAP, RAM	59
1	1	1	-	D	453736-5	HOUSING	58
1	1	1	-	B	224716-1	PAWL, FEED	56
1	1	1	-	B	240624-1	PIN, FEED FINGER	55
1	1	1	-	B	691499-1	SPRING, FEED FINGER	54
1	1	1	-	B	690541-1	HOLDER, FEED FINGER	53
1	1	1	-	B	455679-2	LEVER, TERMINAL	52
1	1	1	-	C	454220-9	CAP, RAM	59
1	1	1	-	D	453736-5	HOUSING	58
1	1	1	-	B	224716-1	PAWL, FEED	56
1	1	1	-	B	240624-1	PIN, FEED FINGER	55
1	1	1	-	B	691499-1	SPRING, FEED FINGER	54
1	1	1	-	B	690541-1	HOLDER, FEED FINGER	53
1	1	1	-	B	455679-2	LEVER, TERMINAL	52