

NOTES

- 1. 材料及び仕上げ(めっき仕様) : TABLE 1 参照
MATERIAL AND FINISHES : SEE TABLE 1
- 2. 製品仕様書 : 5019390000-PS PS 003
PRODUCT SPECIFICATION:
- 3. 梱包形態 : SEE SHEET 4
PACKAGING INFORMATION:
- 4. 嵌合相手 : 501939 シリーズ
MATES WITH : 501939 SERIES
- 5. アプリケーション仕様書(コネクタ取扱い説明書) : 5013300000-AS PS 001
APPLICATION SPECIFICATION(CONNECTOR MANUAL):
- 6. ソルダーピン及びネイルの平坦度: 0.1 MAX
SOLDER PIN AND NAIL COPLANARITY:
- 7. 偶数極に適応
APPLY FOR EVEN CIRCUIT
- 8. 錫めっき品は2083830000-SD PSD 001の図面を御参照下さい。
PLEASE REFER TO THE DRAWING OF 2083830000-SD PSD 001 FOR TIN PLATING VERSION

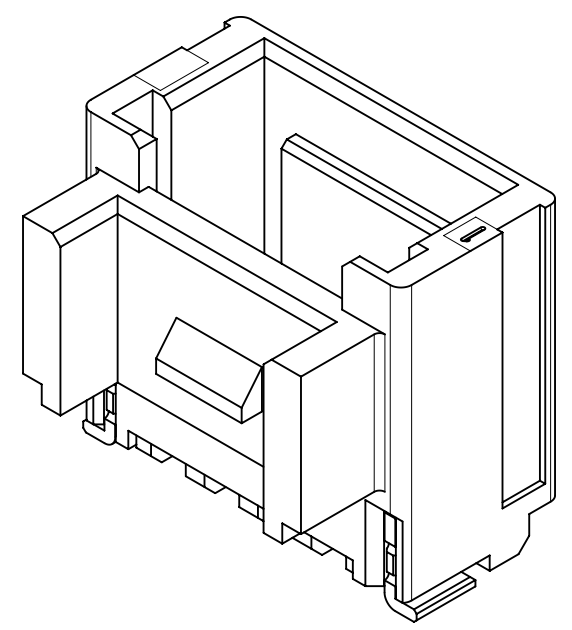
9. 製品番号構成 : 発注番号はSHEET 5 参照
PRODUCT NUMBER COMPOSITION
ORDER No. : SEE SHEET 5

208383 * * * *

| | | |
|--------------------|-----------------------------|--|
| 極数 CIRCUIT SIZE | ハウジングカラー HOUSING COLOR | 製品識別番号(めっき厚) IDENTIFICATION NUMBER (PLATING THICKNESS) |
| | 0:NATURAL(BEIGE) 1:BLACK | 7: 0.1 MICRO-METER MIN 5: 0.38 MICRO-METER MIN 3: 0.76 MICRO-METER MIN |

TABLE 1

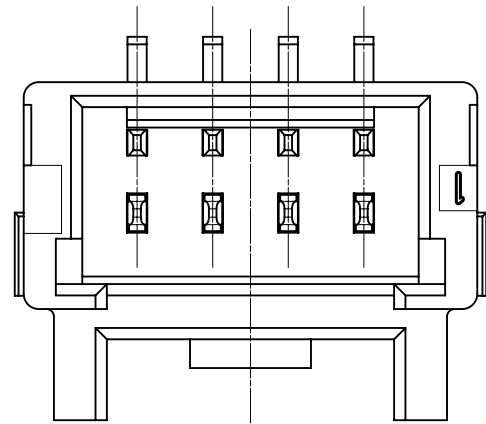
| 番号 NO. | 部品 PART | 材質 MATERIAL | |
|-----------|----------------------|---|---|
| ① | ウエハー WAFER | ポリアミド(PA), ガラス充填, UL94V-0, LOW HALOGEN, 色 : SEE SHEET 5 POLYAMIDE(PA), GLASS FILLED, UL94V-0, LOW HALOGEN, COLOR : SEE SHEET 5 | |
| ② | ソルダーピン SOLDER PIN | リン青銅 PHOSPHOR BRONZE | |
| | | 接点部 CONTACT AREA | 金めっき : めっき厚はNOTES 9参照 GOLD PLATING : SEE NOTES 9 ABOUT THICKNESS |
| | | テール部 TAIL AREA | 金めっき GOLD PLATING |
| ③ | ネイル NAIL | リン青銅 PHOSPHOR BRONZE | |
| | | テール部 TAIL AREA | 錫めっき : 1.0 MICRO-METER MIN MATTE TIN PLATING |
| | | 下地めっき UNDER PLATING | ニッケルめっき : 1.0 MICRO-METER MIN NICKEL PLATING |
| ④ | カバーテープ COVER TAPE | ポリイミドテープ POLYIMIDE TAPE | |



| | | | | |
|-----|-----|-----|-----|--------------------|
| 5.2 | 6.5 | 4.0 | 7.0 | 5 |
| | 5.5 | 3.0 | 6.0 | 4 |
| 4.2 | 4.5 | 2.0 | 5.0 | 3 |
| D | C | B | A | 極数 CIRCUIT SIZE |

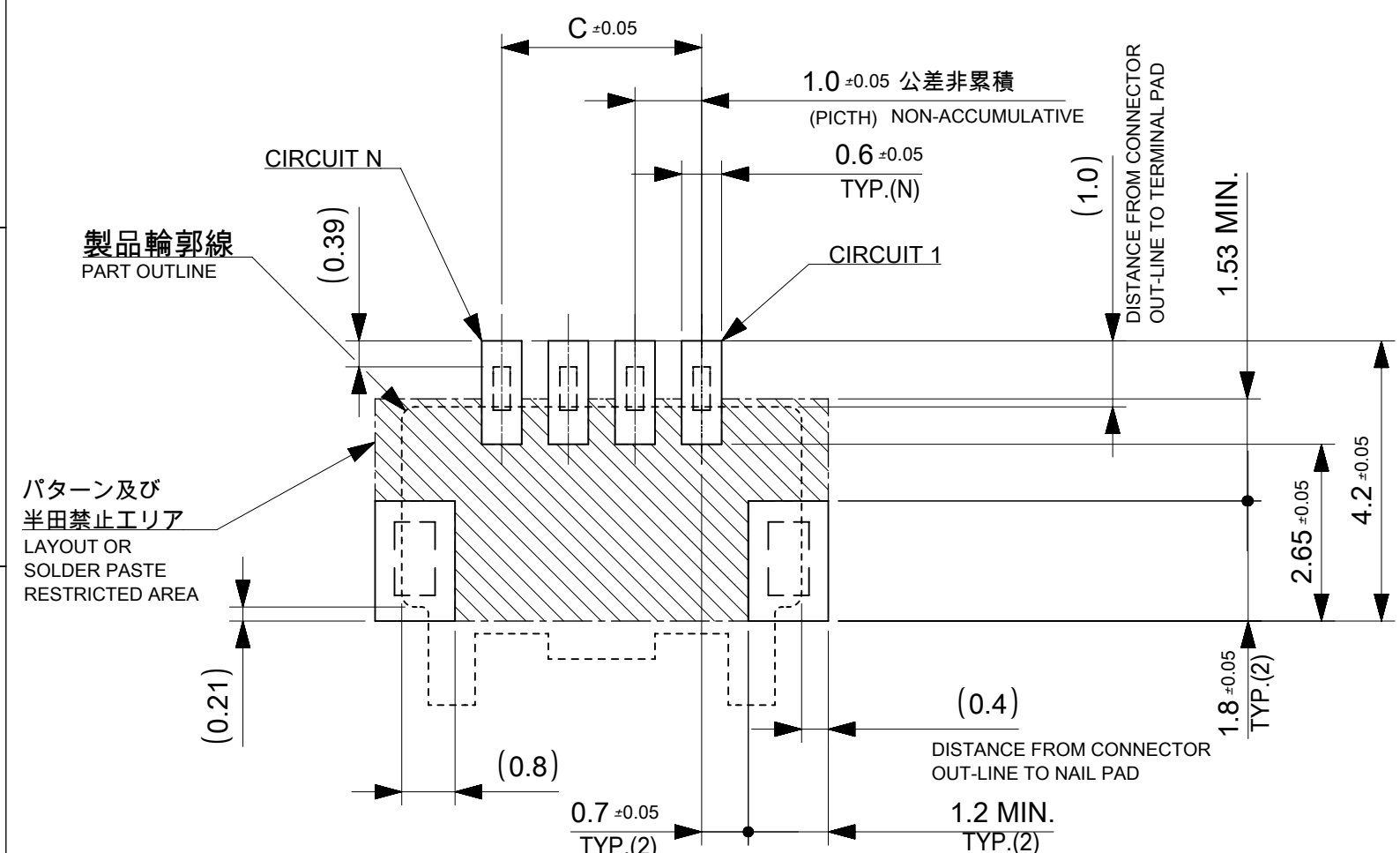
THIS DRAWING CONTAINS INFORMATION THAT IS PROPRIETARY TO MOLEX ELECTRONIC TECHNOLOGIES, LLC AND SHOULD NOT BE USED WITHOUT WRITTEN PERMISSION

| | | | | | | |
|--|-------|----------------------------|---------|--|-------------|--------------|
| DIMENSION UNITS | SCALE | CURRENT REV DESC: | | molex | | |
| mm | NTS | | | | | |
| GENERAL TOLERANCES (UNLESS SPECIFIED) | | EC NO: 630585 | | PICO-CLASP 1.0 W/B SINGLE ROW VT SMT OUTER LOCK GOLD PLATING LOW HALOGEN | | |
| ANGULAR TOL ± 3.0° | | DRWN: AISHIKAWA 2019/10/11 | | | | |
| 4 PLACES ± 0.2 | | CHK'D: AIDA 2020/01/21 | | PRODUCT CUSTOMER DRAWING | | |
| 3 PLACES ± 0.2 | | APPR: SAKIYAMA 2020/01/21 | | | | |
| 2 PLACES ± 0.2 | | INITIAL REVISION: | | DOCUMENT NUMBER | | |
| 1 PLACE ± 0.2 | | DRWN: AISHIKAWA 2019/10/11 | | | | |
| 0 PLACES ± 0.2 | | APPR: SAKIYAMA 2020/01/21 | | PSD 000 A | | |
| DRAFT WHERE APPLICABLE MUST REMAIN WITHIN DIMENSIONS | | THIRD ANGLE PROJECTION | DRAWING | | | |
| | | ⊕ | A3-SIZE | 208383 | SEE SHEET 5 | SHEET NUMBER |
| | | | | | | 1 OF 5 |




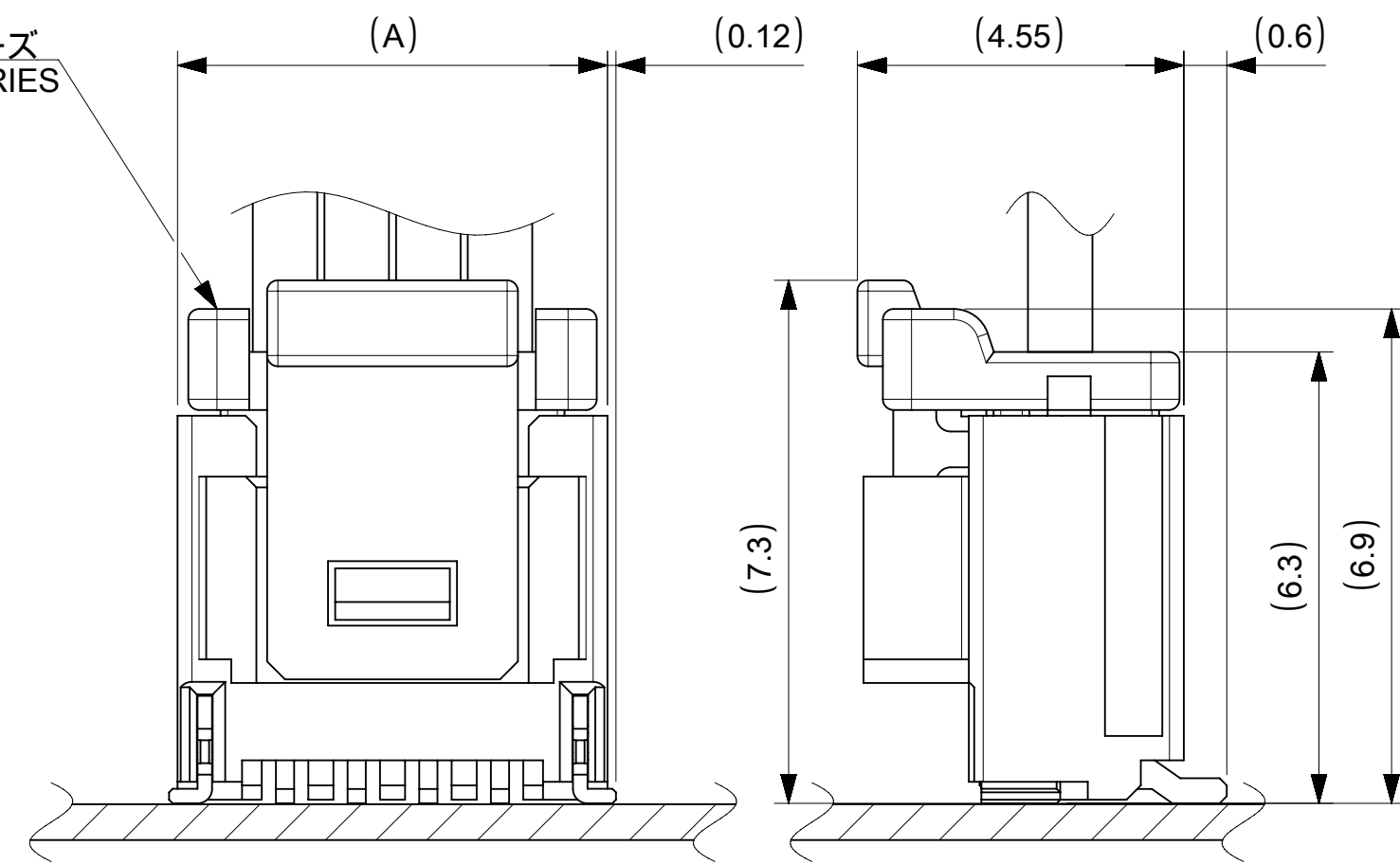
製品レイアウト
PRODUCT LAYOUT

△ 4 嵌合相手 : 501939 シリーズ
MATE WITH : 501939 SERIES




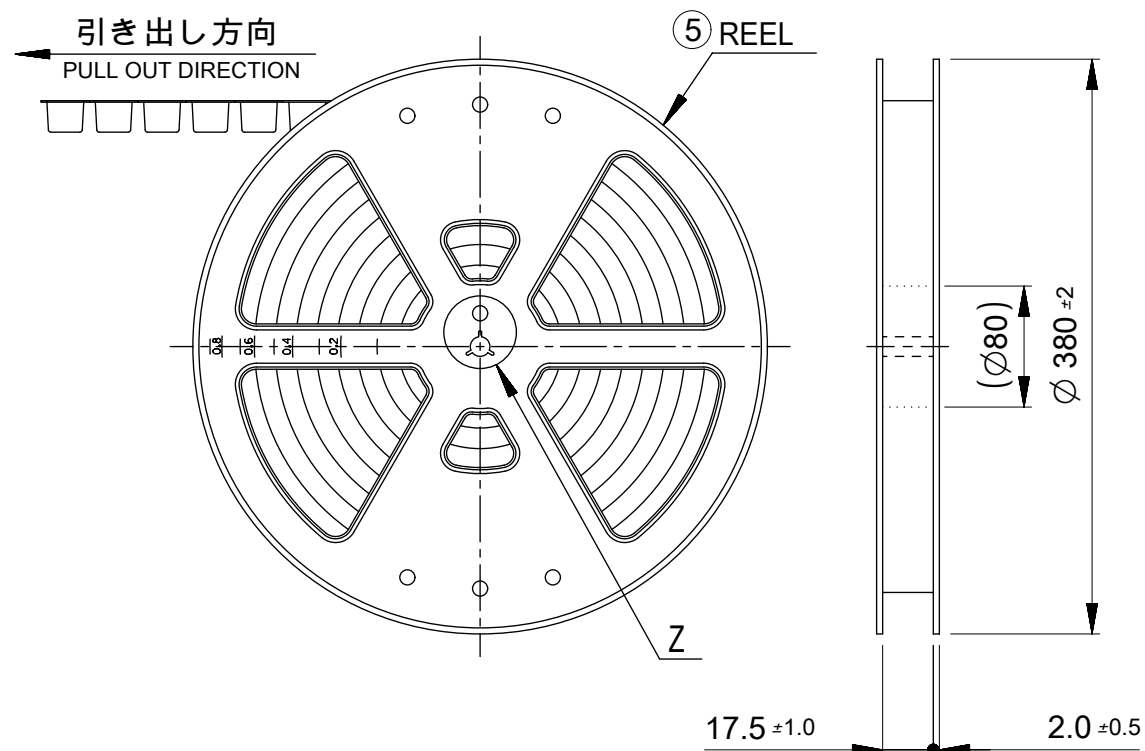
推奨基板レイアウト(全極数適応) : 実装面側
(参考 : 基板厚 1.0mm, メタルマスク厚さ 0.12mm, マスク開口率100%)
POLARIZED RECOMMENDED PCB LAYOUT(APPLY TO ALL CIRCUIT) : COMPONENT SIDE
(REFERENCE: PCB THICKNESS 1.0mm, STENCIL THICKNESS 0.12mm, APERTURE RATIO 100%)

 :パターン禁止エリア
RESTRICTED AREA
NO PCB COMPONENTS ALLOWED



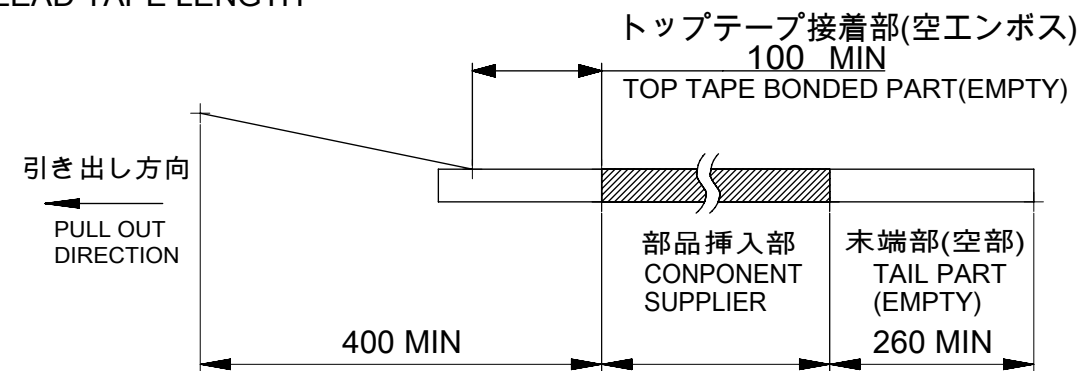
嵌合図
MATED CONNECTORS

| | | | | | |
|---|---------|---|------------|--|-----------------|
| THIS DRAWING CONTAINS INFORMATION THAT IS PROPRIETARY TO MOLEX ELECTRONIC TECHNOLOGIES, LLC AND SHOULD NOT BE USED WITHOUT WRITTEN PERMISSION | | CURRENT REV DESC: | | molex | |
| DIMENSION UNITS | SCALE | | | | |
| mm | NTS | | | PICO-CLASP 1.0 W/B SINGLE ROW VT SMT OUTER LOCK GOLD PLATING LOW HALOGEN | |
| GENERAL TOLERANCES (UNLESS SPECIFIED) | | EC NO: 630585 | | PRODUCT CUSTOMER DRAWING | |
| ANGULAR TOL | ± 3.0 ° | DRWN: AISHIKAWA | 2019/10/11 | DOCUMENT NUMBER | |
| 4 PLACES | ± 0.2 | CHK'D: AIDA | 2020/01/21 | 2083830000-SD | |
| 3 PLACES | ± 0.2 | APPR: SAKIYAMA | 2020/01/21 | DOC TYPE | DOC PART |
| 2 PLACES | ± 0.2 | INITIAL REVISION: | | PSD | 000 |
| 1 PLACE | ± 0.2 | DRWN: AISHIKAWA | 2019/10/11 | REVISION | |
| 0 PLACES | ± 0.2 | APPR: SAKIYAMA | 2020/01/21 | A | |
| DRAFT WHERE APPLICABLE MUST REMAIN WITHIN DIMENSIONS | | THIRD ANGLE PROJECTION | DRAWING | SERIES | MATERIAL NUMBER |
| | |  | A3-SIZE | 208383 | CUSTOMER |
| | | | | SEE SHEET 5 | SHEET NUMBER |
| | | | | 2 OF 5 | |

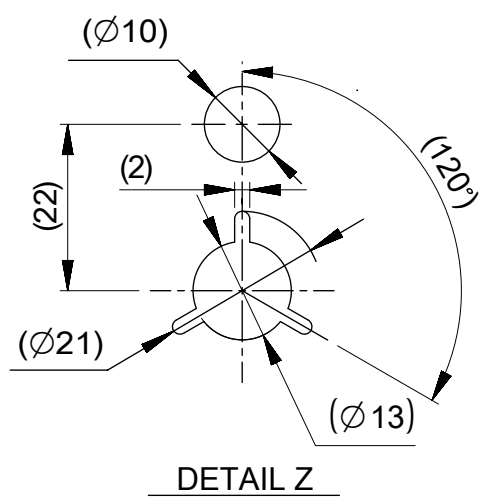


NOTES

- 10. 梱包数量:1100個/リール
NUMBER OF CONNECTORS : 1100 PIECES/REEL
- 11. リードテープ長さ
LEAD TAPE LENGTH



- 12. トップテープの剥離強度はIEC60286-3に準拠。
TOP TAPE PEELING FORCE IS DEFINED BY IEC60286-3.
- 13. 梱包仕様書 : 2083839200-SPK PS 200
PACKAGE SPECIFICATION:



| | | | | | |
|---|---------|------------------------|------------|--|-----------------|
| THIS DRAWING CONTAINS INFORMATION THAT IS PROPRIETARY TO MOLEX ELECTRONIC TECHNOLOGIES, LLC AND SHOULD NOT BE USED WITHOUT WRITTEN PERMISSION | | CURRENT REV DESC: | | molex | |
| DIMENSION UNITS | SCALE | | | | |
| mm | NTS | | | PICO-CLASP 1.0 W/B SINGLE ROW VT SMT OUTER LOCK GOLD PLATING LOW HALOGEN | |
| GENERAL TOLERANCES (UNLESS SPECIFIED) | | EC NO: 630585 | | PRODUCT CUSTOMER DRAWING | |
| ANGULAR TOL | ± 3.0 ° | DRWN: AISHIKAWA | 2019/10/11 | DOCUMENT NUMBER | |
| 4 PLACES | ± 0.2 | CHK'D: AIDA | 2020/01/21 | 2083830000-SD | |
| 3 PLACES | ± 0.2 | APPR: SAKIYAMA | 2020/01/21 | DOC TYPE | DOC PART |
| 2 PLACES | ± 0.2 | INITIAL REVISION: | | PSD | 000 |
| 1 PLACE | ± 0.2 | DRWN: AISHIKAWA | 2019/10/11 | REVISION | |
| 0 PLACES | ± 0.2 | APPR: SAKIYAMA | 2020/01/21 | A | |
| DRAFT WHERE APPLICABLE MUST REMAIN WITHIN DIMENSIONS | | THIRD ANGLE PROJECTION | DRAWING | SERIES | MATERIAL NUMBER |
| | | | A3-SIZE | 208383 | CUSTOMER |
| | | | | SEE SHEET 5 | SHEET NUMBER |
| | | | | 3 OF 5 | |

| 番号 NO. | 部品 PART | 材質 MATERIAL |
|-----------------|----------|--|
| ⑤ | リール REEL | ポリスチレン(PS) <リサイクル材を含む> POLYSTYRENE(PS) <RECYCLE MATERIAL CONTAINED> |
| DOCUMENT STATUS | P1 | RELEASE DATE 2020/01/21 04:06:38 |

引き出し方向
PULL OUT DIRECTION

16mm幅テープ
TAPE WIDTH:16mm

⑦ TOP TAPE

CONNECTOR

⑥ CARRIER TAPE

SECTION Y-Y

(7.5) コネクター中心位置
CENTER OF CONNECTOR

SECTION X-X

12.0 ±0.1

(5.65)

(2.55)

0.5 ±0.05

(5.65)

(5.8)

(6.8)

16.0 ±0.3

CIRCUIT 1

∅1.5^{+0.1}_{0.0}

1.75 ±0.1

(2.0) エンボスポケット中心位置
CENTER OF EMBOSSED POCKET

累積ピッチ : 40 ±0.2
ACUUMLATIVE PITCH:

4.0 ±0.1

| | |
|-----|--------------------|
| 8.3 | 5 |
| 7.3 | 4 |
| 6.3 | 3 |
| D | 極数 CIRCUIT SIZE |

THIS DRAWING CONTAINS INFORMATION THAT IS PROPRIETARY TO MOLEX ELECTRONIC TECHNOLOGIES, LLC AND SHOULD NOT BE USED WITHOUT WRITTEN PERMISSION

| | | | |
|--|----------------------------|---|--------------|
| DIMENSION UNITS | SCALE | CURRENT REV DESC: | |
| mm | NTS | | |
| GENERAL TOLERANCES (UNLESS SPECIFIED) | | molex | |
| ANGULAR TOL ± 3.0° | | PICO-CLASP 1.0 W/B | |
| 4 PLACES ± 0.2 | EC NO: 630585 | SINGLE ROW VT SMT OUTER LOCK GOLD PLATING | |
| 3 PLACES ± 0.2 | DRWN: AISHIKAWA 2019/10/11 | LOW HALOGEN | |
| 2 PLACES ± 0.2 | CHK'D: AIDA 2020/01/21 | PRODUCT CUSTOMER DRAWING | |
| 1 PLACE ± 0.2 | APPR: SAKIYAMA 2020/01/21 | DOCUMENT NUMBER | |
| 0 PLACES ± 0.2 | INITIAL REVISION: | DOC TYPE | |
| | DRWN: AISHIKAWA 2019/10/11 | DOC PART | |
| | APPR: SAKIYAMA 2020/01/21 | REVISION | |
| DRAFT WHERE APPLICABLE MUST REMAIN WITHIN DIMENSIONS | THIRD ANGLE PROJECTION | MATERIAL NUMBER | CUSTOMER |
| | | 2083830000-SD | SEE SHEET 5 |
| | DRAWING | SHEET NUMBER | SHEET NUMBER |
| | A3-SIZE | 208383 | 4 OF 5 |

| 番号 NO. | 部品 PART | 材質 MATERIAL |
|-----------|-------------------------|--|
| ⑥ | キャリアテープ CARRIER TAPE | ポリプロピレン(PP)、その他 POLYPROPYLEN(PP), etc |
| ⑦ | トップテープ TOP TAPE | ポリエチレン(PE)、その他 POLYETHYLENE(PE), etc |

| | | | | |
|-----------------|----|--------------|------------|----------|
| DOCUMENT STATUS | P1 | RELEASE DATE | 2020/01/21 | 04:06:38 |
|-----------------|----|--------------|------------|----------|

E

D

C

B

A

△ 製品一覧 PRODUCT LIST

| 0.76 MICRO-METER | | 0.38 MICRO-METER | | 0.1 MICRO-METER | | 金めつき厚 GOLD PLATING THICKNESS |
|--|-----------------------|------------------|-----------------------|-----------------|-----------------------|------------------------------------|
| 黒 BLACK | 自然色 NATURAL(BEIGE) | 黒 BLACK | 自然色 NATURAL(BEIGE) | 黒 BLACK | 自然色 NATURAL(BEIGE) | 色 COLOR |
| 208383 0513 | 208383 0503 | 208383 0515 | 208383 0505 | 208383 0517 | 208383 0507 | 5 |
| 208383 0413 | 208383 0403 | 208383 0415 | 208383 0405 | 208383 0417 | 208383 0407 | 4 |
| 208383 0313 | 208383 0303 | 208383 0315 | 208383 0305 | 208383 0317 | 208383 0307 | 3 |
| 発注番号 ORDER No. | | | | | | 極数 CIRCUIT SIZE |
| PACKAGING STYLE : EMBOSSED TAPE AND REEL | | | | | | |

| | | | | | | | | | | | | |
|---|--|------------------------|--|----------------------------|--|---|--|--------------------------|----------|----------|--------------|--------|
| THIS DRAWING CONTAINS INFORMATION THAT IS PROPRIETARY TO MOLEX ELECTRONIC TECHNOLOGIES, LLC AND SHOULD NOT BE USED WITHOUT WRITTEN PERMISSION | | | | | | | | | | | | |
| DIMENSION UNITS mm | | SCALE NTS | | CURRENT REV DESC: | | | | molex | | | | |
| GENERAL TOLERANCES (UNLESS SPECIFIED) | | | | EC NO: 630585 | | | | | | | | |
| ANGULAR TOL ± 3.0 ° | | 4 PLACES ± 0.2 | | DRWN: AISHIKAWA 2019/10/11 | | SINGLE ROW VT SMT OUTER LOCK GOLD PLATING LOW HALOGEN | | PRODUCT CUSTOMER DRAWING | | | | |
| 3 PLACES ± 0.2 | | 2 PLACES ± 0.2 | | CHK'D: AIDA 2020/01/21 | | APPR: SAKIYAMA 2020/01/21 | | | | | | |
| 1 PLACE ± 0.2 | | 0 PLACES ± 0.2 | | INITIAL REVISION: | | DOCUMENT NUMBER | | DOC TYPE | DOC PART | REVISION | | |
| DRAFT WHERE APPLICABLE MUST REMAIN WITHIN DIMENSIONS | | THIRD ANGLE PROJECTION | | DRAWING | | SERIES | | MATERIAL NUMBER | | CUSTOMER | SHEET NUMBER | |
| | | | | A3-SIZE | | 208383 | | 2083830000-SD | | PSD | 000 | A |
| | | | | | | | | SEE SHEET 5 | | | | 5 OF 5 |