

M23-09P1N8A8002 - Cable connector



1629219

<https://www.phoenixcontact.com/us/products/1629219>

Please be informed that the data shown in this PDF document is generated from our online catalog. Please find the complete data in the user documentation. Our general terms of use for downloads are valid.



M23, Cable connector, series: M23 PRO, straight, shielded: yes, Screw locking mechanism, No. of pos.: 8+1, Direction of rotation: Standard, contact connection type: Pin, Crimp connection, cable diameter range: 4 mm ... 8.5 mm, coding: N, Item is lead-free in accordance with RoHS II without Exemption 6c (Pb <0.1%)

Your advantages

- Solutions with cross-manufacturer compatibility for standard and fast locking systems
- Reliable under the harshest conditions: cable connectors with vibration brake
- Modern, consistent design for highly convenient operation
- Easy, cost-effective cable assembly: uniform shielding of M17 to M40

Commercial data

Item number	1629219
Packing unit	1 pc
Minimum order quantity	1 pc
Note	Made to order (non-returnable)
Sales key	AB34
Product key	ABRABA
Catalog page	Page 76 (C-2-2019)
GTIN	4055626618524
Weight per piece (including packing)	116.8 g
Weight per piece (excluding packing)	98.04 g
Customs tariff number	85366990
Country of origin	DE

Technical data

Notes

General	Order crimp contacts 8 x Ø 1 mm, 1 x Ø 2 mm separately
Safety note	
Safety note	<p>WARNING: The connectors may not be plugged in or disconnected under load. Ignoring the warning or improper use may damage persons and/or property.</p> <ul style="list-style-type: none"> • WARNING: Commission properly functioning products only. The products must be regularly inspected for damage. Decommission defective products immediately. Replace damaged products. Repairs are not possible. • WARNING: Only electrically qualified personnel may install and operate the product. They must observe the following safety notes. The qualified personnel must be familiar with the basics of electrical engineering. They must be able to recognize and prevent danger. The relevant symbol on the packaging indicates that only personnel familiar with electrical engineering are allowed to install and operate the product. • The products are suitable for applications in plant, controller, and electrical device engineering. • When operating the connectors in outdoor applications, they must be separately protected against environmental influences. • Assembled products may not be manipulated or improperly opened. • Only use mating connectors that are specified in the technical data of the standards listed (e.g. the ones listed in the product accessories online at phoenixcontact.com/products). • When using the product in direct connection with third-party manufacturers, the user is responsible. • For operating voltages > 50 V AC, conductive connector housings must be grounded • Ensure that the protective or functional ground has been properly connected. • VDE 0100/1.97 § 411.1.3.2 and DIN EN 60 204/11.98 § 14.1.3 are applicable when combining several circuits in a cable and/or connector • Only use tools recommended by Phoenix Contact • The installation notes/Design In documents online on the download page at phoenixcontact.com/products must be observed for this product. • Operate the connector only when it is fully plugged in and interlocked. • Ensure that when laying the cable, the tensile load on the connectors does not exceed the upper limit specified in the standards. • Observe the minimum bending radius of the cable. Lay the cable without twisting it. • The connector warms up in normal operation. Depending on the ambient conditions, the surface of the connector can continue to warm up. In this case, the user is responsible for posting

M23-09P1N8A8002 - Cable connector



1629219

<https://www.phoenixcontact.com/us/products/1629219>

warnings (e.g. DIN EN ISO 13732-1:2008-12).

Product properties

Product type	Circular connector (cable-side)
--------------	---------------------------------

Connector

Insulating body

Note	Order information: Order crimp contacts 8 x Ø 1 mm, 1 x Ø 2 mm separately
Coding	N
Insulation body material	PA 6.6
Insertion/withdrawal cycles	100
Connection method	Crimp connection
Contact switching type	Pin
Application	Signal
Number of positions	9
Direction of rotation	Standard
Connection profile	8+1
Contact diameter Power contacts	2 mm
Litz wire cross-section Power contacts min.	0.5 mm ²
Litz wire cross-section Power contacts max.	2.5 mm ²
Rated current Power contacts	20 A
Note	for max. connection cross section
Rated voltage	300 V
Rated surge voltage	2.5 kV
Overvoltage category	II
Degree of pollution	3
Contact diameter Signal contacts	1 mm
Litz wire cross-section Signal contacts min.	0.08 mm ²
Litz wire cross-section Signal contacts max.	1 mm ²
Nominal current per signal contact	8 A
Note	for max. connection cross section
Rated voltage Signal contact	300 V
Rated surge voltage	2.5 kV
Overvoltage category	II
Degree of pollution	3
Installation height	2000 m

Housing

Housing material	GD-Zn
Type of locking	Screw locking mechanism
Pg screw connection	none

M23-09P1N8A8002 - Cable connector



1629219

<https://www.phoenixcontact.com/us/products/1629219>

Degree of protection (plugged in)	IP66 / IP68 (2m / 24h) / IP69K
Thread type	M23

Seal

External cable diameter	4 mm ... 8.5 mm
Seal material	FKM

Environmental and real-life conditions

Ambient conditions

Ambient temperature (operation)	-40 °C ... 105 °C (see to derating)
Permanent temperature	125 °C (DIN EN 60512-9-2 / 1000 h)

M23-09P1N8A8002 - Cable connector

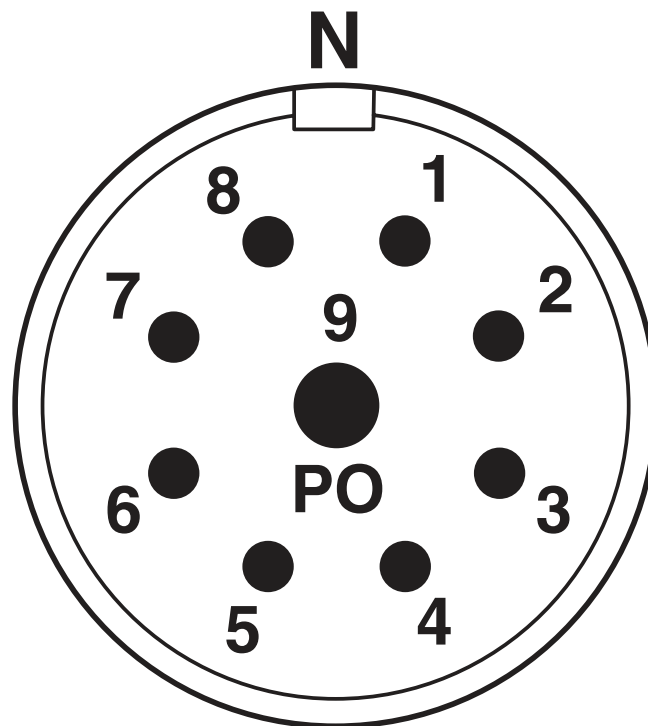


1629219

<https://www.phoenixcontact.com/us/products/1629219>

Drawings

Schematic diagram

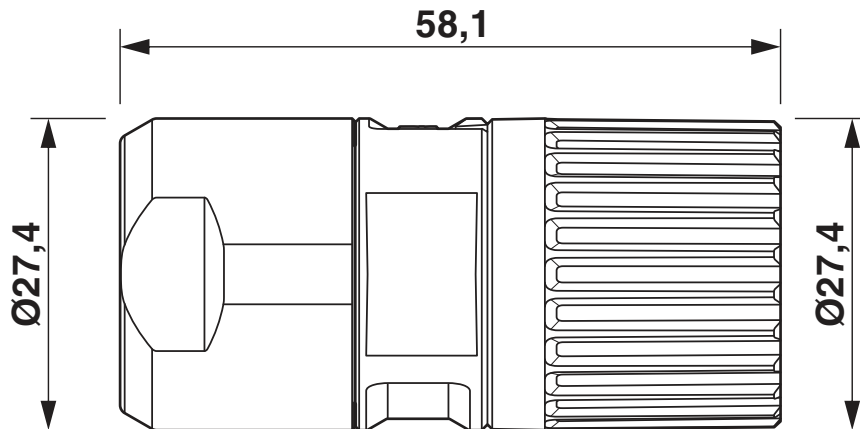


M23-09P1N8A8002 - Cable connector

1629219

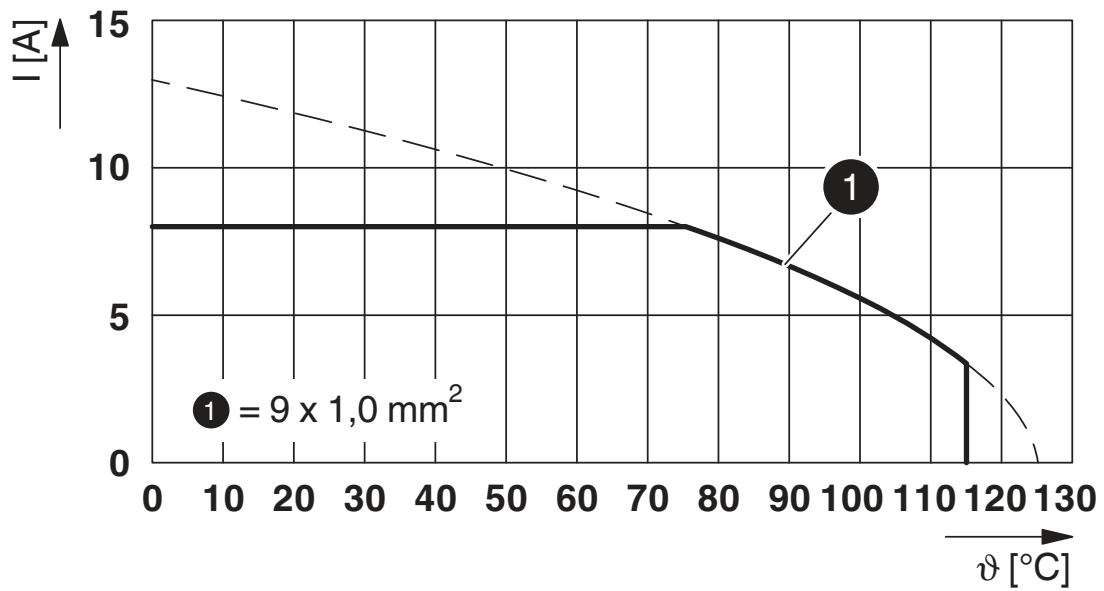
<https://www.phoenixcontact.com/us/products/1629219>

Dimensional drawing



Technical drawings can be found under Downloads

Diagram



I = current strength, ϑ = ambient temperature, $9 \times 8 \text{ A}$

M23-09P1N8A8002 - Cable connector



1629219

<https://www.phoenixcontact.com/us/products/1629219>

Approvals

To download certificates, visit the product detail page: <https://www.phoenixcontact.com/us/products/1629219>



cUL Recognized

Approval ID: E335019-20141210



UL Recognized

Approval ID: E335019-20141210

cULus Recognized

M23-09P1N8A8002 - Cable connector



1629219

<https://www.phoenixcontact.com/us/products/1629219>

Classifications

ECLASS

ECLASS-11.0	27440102
ECLASS-12.0	27440116
ECLASS-13.0	27440116

ETIM

ETIM 8.0	EC002635
----------	----------

UNSPSC

UNSPSC 21.0	39121400
-------------	----------

M23-09P1N8A8002 - Cable connector



1629219

<https://www.phoenixcontact.com/us/products/1629219>

Environmental product compliance

China RoHS	Environmentally friendly use period: unlimited = EFUP-e
	No hazardous substances above threshold values

M23-09P1N8A8002 - Cable connector

1629219

<https://www.phoenixcontact.com/us/products/1629219>

Accessories

SF-Z0028 - Torque screwdriver

1607456

<https://www.phoenixcontact.com/us/products/1607456>

Torque screwdriver, series: RC



SF-Z0027 - Hook wrench

1607455

<https://www.phoenixcontact.com/us/products/1607455>

Hook wrench, series: RC



M23-09P1N8A8002 - Cable connector

1629219

<https://www.phoenixcontact.com/us/products/1629219>



RF-Z0007 - Special wrench

1614347

<https://www.phoenixcontact.com/us/products/1614347>

Special wrench, series: RF



RC-11P2000 - Crimp contact

1596770

<https://www.phoenixcontact.com/us/products/1596770>



Crimp contact, Pin, turned, Single contact, contact diameter: 1 mm, crimp range: 0.08 mm² ... 0.22 mm², Alternative product in accordance with RoHS II without Exemption 6c (Pb <0.1%) item no.: 1240882

M23-09P1N8A8002 - Cable connector

1629219

<https://www.phoenixcontact.com/us/products/1629219>



RC-12P2000 - Crimp contact

1597862

<https://www.phoenixcontact.com/us/products/1597862>



Crimp contact, Pin, turned, Single contact, contact diameter: 1 mm, crimp range: 0.14 mm² ... 0.56 mm², Alternative product in accordance with RoHS II without Exemption 6c (Pb <0.1%) item no.: 1240882

RC-1KP2000 - Crimp contact

1602996

<https://www.phoenixcontact.com/us/products/1602996>



Crimp contact, Pin, turned, Single contact, contact diameter: 1 mm, crimp range: 0.5 mm² ... 1 mm², Alternative product in accordance with RoHS II without Exemption 6c (Pb <0.1%) item no.: 1241571

M23-09P1N8A8002 - Cable connector

1629219

<https://www.phoenixcontact.com/us/products/1629219>



RC-22P2000 - Crimp contact

1603321

<https://www.phoenixcontact.com/us/products/1603321>



Crimp contact, Pin, rolled, Single contact, contact diameter: 1 mm, crimp range: 0.22 mm² ... 0.56 mm², Single contact, Item is lead-free in accordance with RoHS II without Exemption 6c (Pb <0.1%)

RC-22P2300 - Crimp contact

1603324

<https://www.phoenixcontact.com/us/products/1603324>



Crimp contact, Pin, rolled, Taped articles, number of pieces per reel: 500, contact diameter: 1 mm, crimp range: 0.22 mm² ... 0.56 mm², Item is lead-free in accordance with RoHS II without Exemption 6c (Pb <0.1%)

M23-09P1N8A8002 - Cable connector

1629219

<https://www.phoenixcontact.com/us/products/1629219>



RC-22P2400 - Crimp contact

1603325

<https://www.phoenixcontact.com/us/products/1603325>



Crimp contact, Pin, rolled, Taped articles, number of pieces per reel: 10000, contact diameter: 1 mm, crimp range: 0.22 mm² ... 0.56 mm², Item is lead-free in accordance with RoHS II without Exemption 6c (Pb <0.1%)

RC-21P2000 - Crimp contact

1603310

<https://www.phoenixcontact.com/us/products/1603310>



Crimp contact, Pin, rolled, Single contact, contact diameter: 1 mm, crimp range: 0.08 mm² ... 0.22 mm², Single contact

M23-09P1N8A8002 - Cable connector

1629219

<https://www.phoenixcontact.com/us/products/1629219>



RC-21P2300 - Crimp contact

1603313

<https://www.phoenixcontact.com/us/products/1603313>



Crimp contact, Pin, rolled, Taped articles, number of pieces per reel: 500, contact diameter: 1 mm, crimp range: 0.08 mm² ... 0.22 mm²

RC-21P2400 - Crimp contact

1611637

<https://www.phoenixcontact.com/us/products/1611637>



Crimp contact, Pin, rolled, Taped articles, number of pieces per reel: 10000, contact diameter: 1 mm, crimp range: 0.08 mm² ... 0.22 mm²

M23-09P1N8A8002 - Cable connector

1629219

<https://www.phoenixcontact.com/us/products/1629219>



RC-5SP2000 - Crimp contact

1603529

<https://www.phoenixcontact.com/us/products/1603529>



Crimp contact, Pin, turned, contact diameter: 2 mm, crimp range: 0.5 mm² ... 0.75 mm², Alternative product in accordance with RoHS II without Exemption 6c (Pb <0.1%) item no.: 1241632

RC-59P2000 - Crimp contact

1603498

<https://www.phoenixcontact.com/us/products/1603498>



Crimp contact, Pin, turned, Single contact, contact diameter: 2 mm, crimp range: 0.75 mm² ... 1 mm², Alternative product in accordance with RoHS II without Exemption 6c (Pb <0.1%) item no.: 1241632

M23-09P1N8A8002 - Cable connector

1629219

<https://www.phoenixcontact.com/us/products/1629219>



RC-5CP2000 - Crimp contact

1603513

<https://www.phoenixcontact.com/us/products/1603513>



Crimp contact, Pin, turned, contact diameter: 2 mm, crimp range: 1 mm² ... 1.5 mm², Alternative product in accordance with RoHS II without Exemption 6c (Pb <0.1%) item no.: 1241634

RC-5AP2000 - Crimp contact

1603505

<https://www.phoenixcontact.com/us/products/1603505>



Crimp contact, Pin, turned, contact diameter: 2 mm, crimp range: 1.5 mm² ... 2.5 mm², Alternative product in accordance with RoHS II without Exemption 6c (Pb <0.1%) item no.: 1241634

M23-09P1N8A8002 - Cable connector

1629219

<https://www.phoenixcontact.com/us/products/1629219>



PROT-M23PRO-SG-IT-IP20 - Plastic protective cap

1055744

<https://www.phoenixcontact.com/us/products/1055744>

Plastic protective cap, M23, degree of protection: IP20, series: M23 PRO Signal



PROT-M23PRO-SG-IT-IP67 - Plastic protective cap

1055745

<https://www.phoenixcontact.com/us/products/1055745>

Plastic protective cap, M23, degree of protection: IP67, series: M23 PRO Signal



Phoenix Contact 2023 © - all rights reserved
<https://www.phoenixcontact.com>

Phoenix Contact USA
586 Fulling Mill Road
Middletown, PA 17057, United States
(+717) 944-1300
info@phoenixcon.com