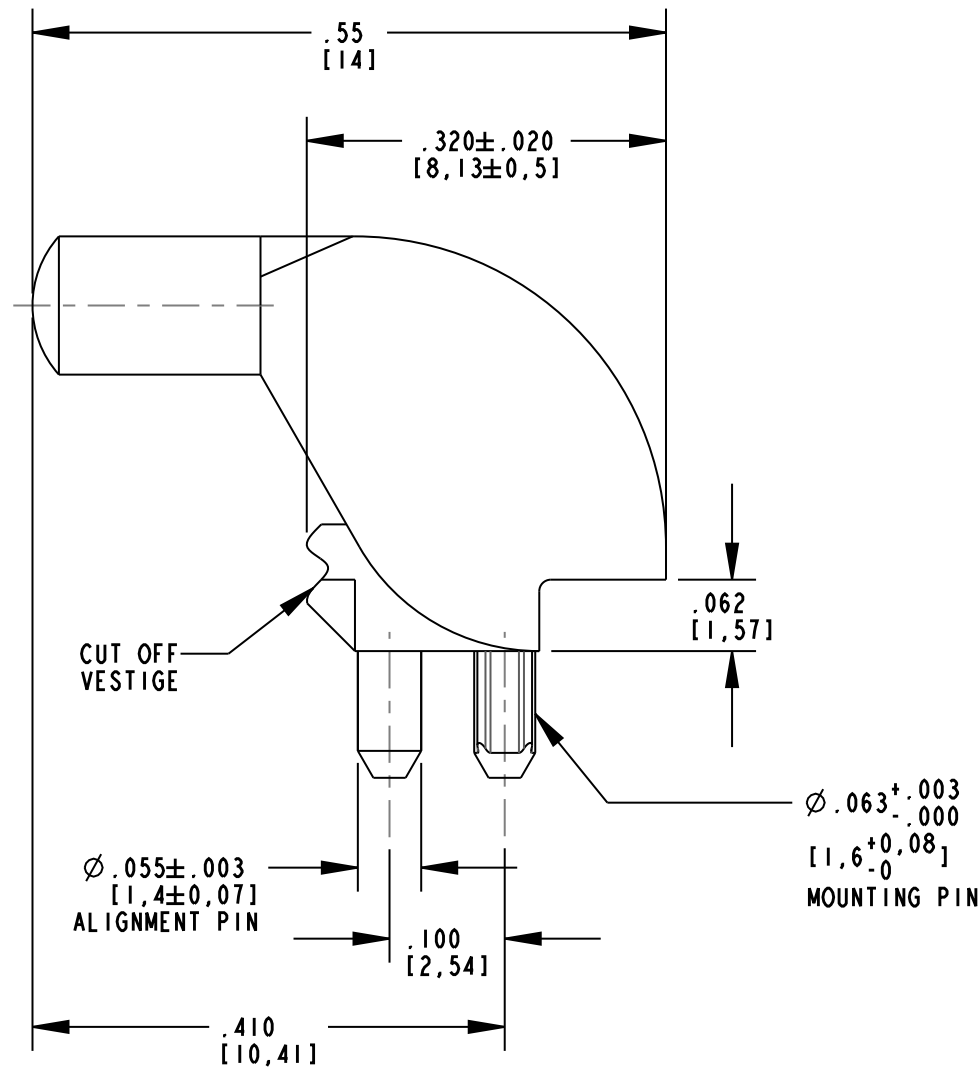
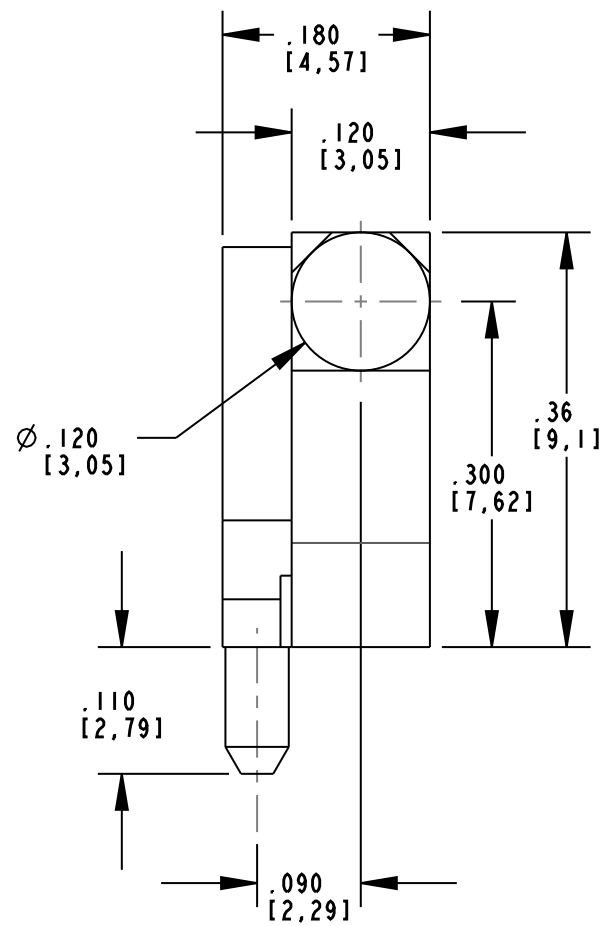


REV	ECN NO	REVISIONS	DRN	CKD	APP	DATE
A		NEW RELEASE	AJF	KLJ	NO	2-16-10

RoHS COMPLIANT 515-1061-803F
 Part Numbers with the "F" suffix ending are RoHS Compliant.
 Packaging is marked with "RoHS Compliant" label or equivalent markings.

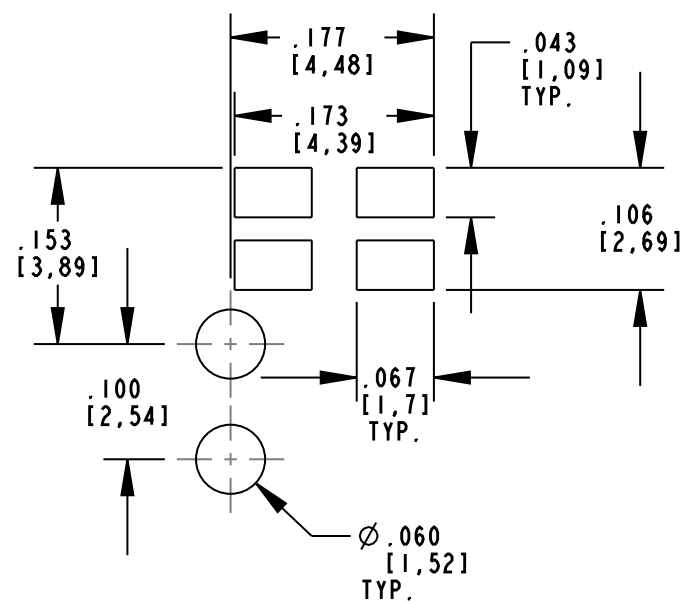
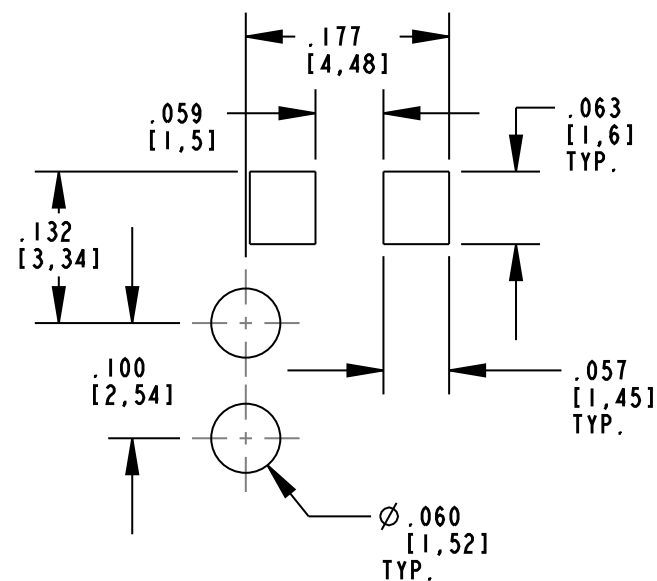


NOTES:

1. DIALIGHT PART NUMBER: 515-1061-803F.
2. COMPONENT DESIGNED TO BE PRESSED IN PCB.
3. MATERIAL TO BE CLEAR, TRANSMISSIVE POLYCARBONATE (UL 94V-0 FLAMMABILITY).
4. STORAGE AND OPERATING TEMPERATURE: -30 TO +100°C.
5. RECOMMENDED SURFACE MOUNT LEDS DIALIGHT PART NUMBERS:
 597-3XX1-50XF (SINGLE COLOR)
 597-77X1-50XF (BI-COLOR)

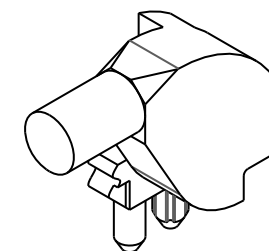
SINGLE COLOR LED

BI-COLOR LED



RECOMMENDED SOLDER PAD LAYOUT & HOLE PATTERN GAUGE

TOLERANCES: ±.002"



SCALE 3.000

THIS DRAWING AND THE CONTENTS HEREIN ARE CONFIDENTIAL AND THE SOLE PROPERTY OF DIALIGHT. REPRODUCTION OF THIS DRAWING OR CONSTRUCTION OF ANY PARTS WITHIN THIS DRAWING ARE FORBIDDEN WITHOUT THE WRITTEN CONSENT OF DIALIGHT.		
SCALE: 6.000 ALL DIM'S IN: INCHES (MM)	DRAWING NUMBER C-17904	REV A
TOLERANCES: UNLESS OTHERWISE SPECIFIED FRACTIONS: ±1/64 DECIMALS (.XX): ±.02 DECIMALS (.XXX): ±.015	TITLE BI-LEVEL LIGHT PIPE	
ANGLES: ±1° FINISH:	MATERIAL	
FSCM 83330	1501 ROUTE 34 SOUTH FARMINGDALE, NJ 07727	
	SHEET 1 OF 1	FAMILY TABLE: