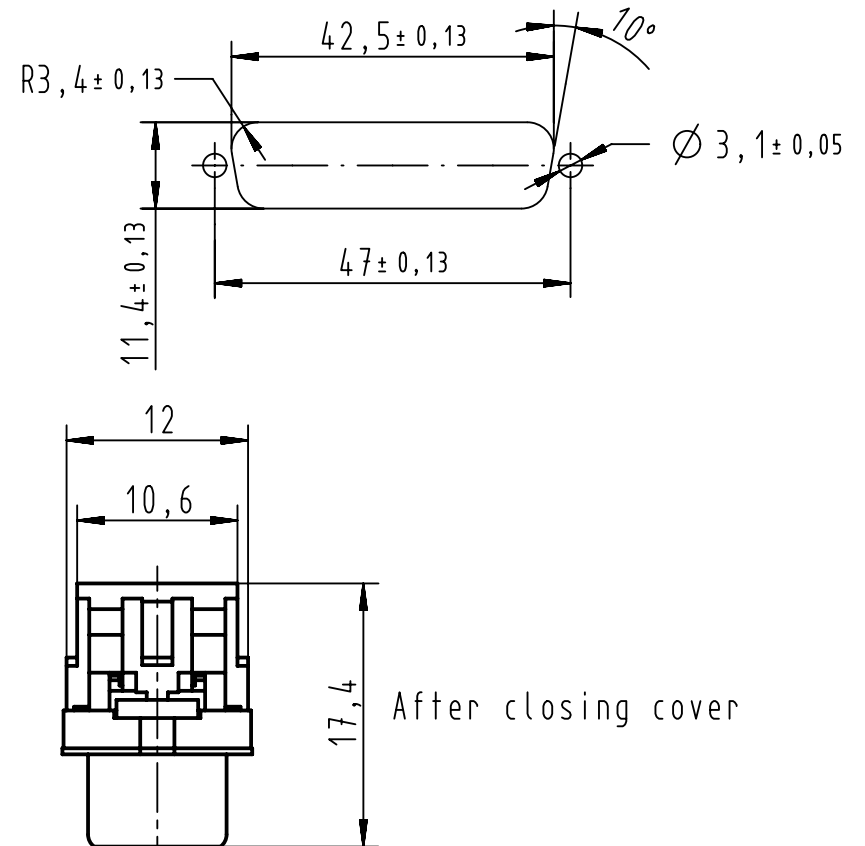


Recommended panel cutout dimensions  
for rear mounting  
According to CECC 75 301-802



09663287702	PL3	4-40UNC	All Dimensions in mm Original Size DIN A4	Scale 2:1	Free size tol.		Ref.	
09663286702	PL2	4-40UNC	All rights reserved Department EC PD - FR	Created by DOUGE	Inspected by BAGDIKIAN	Standardisation HOFFMANN	Sub.	
09663287701	PL3	M3		Title D-Sub IDC 25P male straight			Date 2013-04-23	State Final Release
09663286701	PL2	M3	HARTING Electronics GmbH D-32339 Espelkamp	Type TB			Doc-Key / ECM-Nr. 100527209/UGD/001/A 5300000858839	
Part number	Performance level	Nut thread		Number 0966328X70X			Rev. A	Page 1/1