

# PRODUCT SPECIFICATION DRAWING

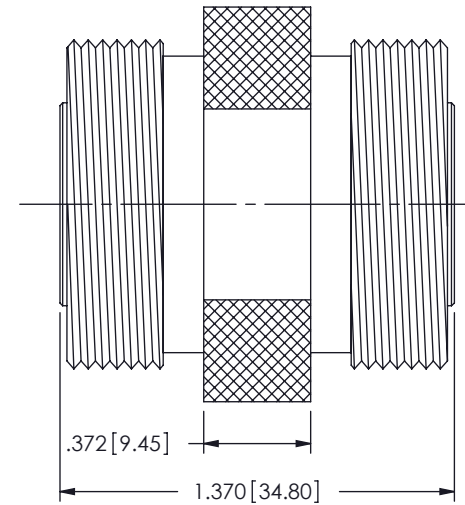
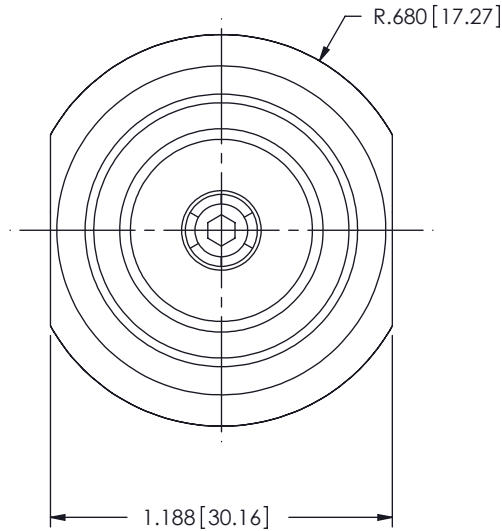
**P2RFD-1653-4**

**FINISH:**  
**BODY & HARDWARE:** WHITE BRONZE  
**CONTACTS:** SILVER

**MATERIAL:**  
**BODY & HARDWARE:** BRASS  
**CONTACT:** BERYLLIUM COPPER  
**INSULATOR:** PTFE PER ASTM-D1710

**PERFORMANCE:**  
**IMPEDANCE:** 50 OHMS  
**VP:** 77%  
**FREQ. RANGE:** DC TO 7.5 GHz  
**DELAY:** 132 ps OVER 7.5 GHz SPAN  
**VSWR:** <1.2:1 TO 7.5 GHz  
**INSERTION LOSS:** <-.1 dB TO 7.5 GHz  
**3rd ORDER IMP:** <-155dBc IN PCS BAND w/2 +43 dB TONES

**MECHANICAL (TYP)**  
**MATING:** M29 X 1.5mm THREAD  
**INTERFACE:** CECC 22 190  
**MATING CYCLES:** 500 min



UNLESS OTHERWISE SPECIFIED  
 DIMENSIONS ARE IN INCHES  
 & [MILLIMETERS]

**PROPRIETARY**

THE INFORMATION HEREIN IS CONFIDENTIAL AND PROPRIETARY. NO DISCLOSURE, REPRODUCTION, OR FURTHER DISSEMINATION MAY BE MADE WITH OUT THE EXPRESSED WRITTEN CONSENT OF RF INDUSTRIES.

**RFP<sup>2</sup>** RF PRECISION PRODUCTS  
 A DIVISION OF RF INDUSTRIES  
 7610 MIRAMAR ROAD, SAN DIEGO, CA 92126-4202  
 (858) 549-6340 - FAX (858) 549-6345 - RFP2@RFINDUSTRIES.COM

TITLE: **7-16 DIN JACK TO JACK BARREL ADAPTER**

REV	DESCRIPTION	DATE	APPROVED
-	ENGINEERING RELEASE	01/27/11	JDMc
A	UPDATED SPECS	05/15/15	JDMc

**RoHS COMPLIANT**

DRAWN BY:	C. ZUNIGA	05/15/15
ENG APPROVAL:		
ORJ. DRAWN:	C. ZUNIGA	01/27/11

SIZE	CODE	DWG. NO.
<b>A</b>	<b>000000</b>	<b>P2RFD-1653-4</b>
SHEET 1 OF 1		<b>A</b>