

# TRAVEO™ T2G 32-bit Automotive MCU

Based on Arm® Cortex®-M7 single/dual

## General description

CYT3BB/4BB is a family of TRAVEO™ T2G microcontrollers targeted at automotive systems such as high-end body-control units. CYT3BB/4BB has one or two Arm® Cortex®-M7 CPUs for primary processing, and an Arm® Cortex®-M0+ CPU for peripheral and security processing. These devices contain embedded peripherals supporting Controller Area Network with Flexible Data rate (CAN FD), Local Interconnect Network (LIN), and Ethernet. TRAVEO™ T2G devices are manufactured on an advanced 40-nm process. CYT3BB/4BB incorporates a low-power flash memory, multiple high-performance analog and digital peripherals, and enables the creation of a secure computing platform.

## Features

### • CPU subsystem

- One or two<sup>[1]</sup> 250-MHz 32-bit Arm® Cortex®-M7 CPUs, each with
  - Single-cycle multiply
  - Single/double-precision floating point unit (FPU)
  - 16-KB data cache, 16-KB instruction cache
  - Memory protection unit (MPU)
  - 16-KB instruction and 16-KB data tightly-coupled memories (TCM)
- 100-MHz 32-bit Arm® Cortex® M0+ CPU with
  - Single-cycle multiply
  - MPU
- Inter-processor communication in hardware
- Three DMA controllers
  - Peripheral DMA controller #0 (P-DMA0) with 100 channels
  - Peripheral DMA controller #1 (P-DMA1) with 58 channels
  - Memory DMA controller (M-DMA0) with 8 channels

### • Integrated memories

- 4160 KB of code-flash with an additional 256 KB of work-flash
  - Read-While-Write (RWW) allows updating the code-flash/work-flash while executing from it
  - Single- and dual-bank modes (specifically for Firmware update Over The Air [FOTA])
  - Flash programming through SWD/JTAG interface
- 768 KB of SRAM with selectable retention granularity

### • Cryptography engine

- Supports enhanced Secure Hardware Extension (eSHE) and Hardware Security Module (HSM)
- Secure boot and authentication
  - Using digital signature verification
  - Using fast secure boot
- AES: 128-bit blocks, 128-/192-/256-bit keys
- 3DES: 64-bit blocks, 64-bit key
- Vector unit supporting asymmetric key cryptography such as Rivest-Shamir-Adleman (RSA) and Elliptic Curve (ECC)
- SHA-1/2/3: SHA-512, SHA-256, SHA-160 with variable length input data
- CRC: supports CCITT CRC16 and IEEE-802.3 CRC32
- True random number generator (TRNG) and pseudo random number generator (PRNG)
- Galois/Counter Mode (GCM)

#### Note

1. Dual Cortex-M7 CPUs are supported in selected MPNs. For more information, refer to [Ordering information](#).

## Features

- **Functional safety for ASIL-B**
  - Memory protection unit (MPU)
  - Shared memory protection unit (SMPU)
  - Peripheral protection unit (PPU)
  - Watchdog timer (WDT)
  - Multi-counter watchdog timer (MCWDT)
  - Low-voltage detector (LVD)
  - Brown-out detection (BOD)
  - Over-voltage detection (OVD)
  - Clock supervisor (CSV)
  - Hardware error correction (SECDED ECC) on all safety-critical memories (SRAM, flash, TCM)
- **Low-power 2.7-V to 5.5-V operation**
  - Low-power Active, Sleep, Low-power Sleep, DeepSleep, and Hibernate modes for fine-grained power management
  - Configurable options for robust BOD
    - Two threshold levels (2.7 V and 3.0 V) for BOD on  $V_{DD}$  and  $V_{DDA}$
    - One threshold level (1.1 V) for BOD on  $V_{CCD}$
- **Wakeup**
  - Up to two pins to wake from Hibernate mode
  - Up to 220 GPIO pins to wake from Sleep modes
  - Event Generator, SCB, Watchdog Timer, RTC alarms to wake from DeepSleep modes
- **Clocks**
  - Internal main oscillator (IMO)
  - Internal low-speed oscillator (ILO)
  - External crystal oscillator (ECO)
  - Watch crystal oscillator (WCO)
  - Phase-locked loop (PLL)
  - Frequency-locked loop (FLL)
- **Communication interfaces**
  - Up to eight CAN FD channels
    - Increased data rate (up to 8 Mbps) compared to classic CAN, limited by physical layer topology and transceivers
    - Compliant with ISO 11898-1:2015
    - Supports all the requirements of Bosch CAN FD Specification V1.0 for non-ISO CAN FD
    - ISO 16845:2015 certificate available
  - Up to 11 runtime-reconfigurable serial communication block (SCB) channels, each configurable as I<sup>2</sup>C, SPI, or UART
  - Up to 16 independent LIN channels
    - LIN protocol compliant with ISO 17987
  - One 10/100 Mbps Ethernet MAC interface conforming to IEEE-802.3bw
    - Supports the following PHY interfaces:
      - Media-independent interface (MII)
      - Reduced media-independent interface (RMII)
    - Compliant with IEEE-802.1BA Audio Video Bridging (AVB)
    - Compliant with IEEE-1588 Precision Time Protocol (PTP)

### Features

- **External memory interface**
  - One SPI (Single, Dual, Quad, or Octal) or HYPERBUS™ interface
  - On-the-fly encryption and decryption
  - Execute-in-place (XIP) from external memory
- **SDHC interface**
  - One Secure Digital High Capacity (SDHC) interface supporting embedded MultiMediaCard (eMMC), Secure Digital (SD), or Secure Digital Input Output (SDIO)
    - Compliant with eMMC 5.1, SD 6.0, and SDIO 4.10 specifications
  - Data rates up to SD High Speed 50 MHz, or eMMC 52-MHz DDR
- **Audio interface**
  - Three inter-IC sound (I<sup>2</sup>S) interfaces for connecting digital audio devices
  - I<sup>2</sup>S, left justified, or time division multiplexed (TDM) audio formats
  - Independent transmit or receive operation, each in master or slave mode
- **Timers**
  - Up to 75 16-bit and eight 32-bit timer/counter pulse-width modulator (TCPWM) blocks
    - Up to 12 16-bit counters for motor control
    - Up to 63 16-bit counters and eight 32-bit counters for regular operations
    - Supports timer, capture, quadrature decoding, pulse-width modulation (PWM), PWM with dead time (PWM\_DT), pseudo-random PWM (PWM\_PR), and shift-register (SR) modes
  - Up to 16 Event Generation (EVTGEN) timers supporting cyclic wakeup from DeepSleep
    - Events trigger a specific device operation (such as execution of an interrupt handler, a SAR ADC conversion, and so on)
- **Real time clock (RTC)**
  - Year/Month/Date, Day-of-week, Hour:Minute:Second fields
  - 12- and 24-hour formats
  - Automatic leap-year correction
- **I/O**
  - Up to 220 programmable I/Os
  - Three I/O types
    - GPIO Standard (GPIO\_STD)
    - GPIO Enhanced (GPIO\_ENH)
    - High-Speed I/O Standard (HSIO\_STD)
- **Regulators**
  - Generates a 1.1-V nominal core supply from a 2.7-V to 5.5-V input supply
  - Three regulators:
    - DeepSleep
    - Core internal
    - Core external
- **Programmable analog**
  - Three SAR A/D converters with up to 75 external channels (72 I/Os + 3 I/Os for motor control)
    - ADC0 supports 32 logical channels, with 32 + 1 physical connections
    - ADC1 supports 32 logical channels, with 32 + 1 physical connections
    - ADC2 supports 8 logical channels, with 8 + 1 physical connections
    - Any external channel can be connected to any logical channel in the respective SAR
  - Each ADC supports 12-bit resolution and sampling rates of up to 1 Msps
  - Each ADC also supports six internal analog inputs like
    - Bandgap reference to establish absolute voltage levels

## Features

- Calibrated diode for junction temperature calculations
- Two AMUXBUS inputs and two direct connections to monitor supply levels
- Each ADC supports addressing of external multiplexers
- Each ADC has a sequencer supporting autonomous scanning of configured channels
- Synchronized sampling of all ADCs for motor-sense applications
- **Smart I/O**
  - Up to five Smart I/O blocks, which can perform Boolean operations on signals going to and from I/Os
  - Up to 36 I/Os (GPIO\_STD) supported
- **Debug interface**
  - JTAG controller and interface compliant to IEEE-1149.1-2001
  - Arm® serial wire debug (SWD) port
  - Supports Arm® Embedded Trace Macrocell (ETM) Trace
    - Data trace using SWD
    - Instruction and data trace using JTAG
- **Compatible with industry-standard tools**
  - GHS MULTI or IAR EWARM for code development and debugging
- **Packages**
  - 100-TEQFP, 14 × 14 × 1.6 mm (max), 0.5-mm lead pitch
  - 144-TEQFP, 20 × 20 × 1.6 mm (max), 0.5-mm lead pitch
  - 176-TEQFP, 24 × 24 × 1.6 mm (max), 0.5-mm lead pitch
  - 272-BGA, 16 × 16 × 1.7 mm (max), 0.8-mm ball pitch

## Contents

<b>General description .....</b>	<b>1</b>
<b>Features .....</b>	<b>1</b>
<b>Contents.....</b>	<b>5</b>
<b>1 Features list .....</b>	<b>7</b>
1.1 Communication peripheral instance list .....	9
<b>2 Blocks and functionality .....</b>	<b>10</b>
2.1 Block diagram .....	10
<b>3 Functional description .....</b>	<b>11</b>
3.1 CPU subsystem .....	11
3.1.1 CPU .....	11
3.1.2 DMA controllers.....	11
3.1.3 Flash .....	11
3.1.4 SRAM.....	11
3.1.5 ROM .....	11
3.1.6 Cryptography accelerator for security.....	11
3.2 System resources.....	12
3.2.1 Power system .....	12
3.2.2 Regulators .....	12
3.2.3 Clock system .....	14
3.2.4 Reset .....	15
3.2.5 Watchdog timer.....	15
3.2.6 Power modes .....	15
3.3 Peripherals .....	16
3.3.1 Peripheral clock dividers .....	16
3.3.2 Peripheral protection unit.....	16
3.3.3 12-bit SAR ADC .....	16
3.3.4 Timer/counter/PWM block (TCPWM) .....	17
3.3.5 Serial communication blocks (SCB).....	17
3.3.6 CAN FD .....	18
3.3.7 Local interconnect network (LIN) .....	18
3.3.8 Ethernet MAC.....	18
3.3.9 External memory interface.....	18
3.3.10 SDHC interface .....	18
3.3.11 Audio interface.....	19
3.3.12 One-time-programmable (OTP) eFuse .....	19
3.3.13 Event generator .....	19
3.3.14 Trigger multiplexer .....	19
3.4 I/Os.....	19
3.4.1 Port nomenclature.....	19
3.4.2 GPIO Standard (GPIO_STD) .....	20
3.4.3 GPIO Enhanced (GPIO_ENH) .....	20
3.4.4 HSIO Standard (HSIO_STD) .....	20
3.4.5 Smart I/O .....	20
<b>4 CYT3BB/4BB address map .....</b>	<b>21</b>
<b>5 Flash base address map.....</b>	<b>23</b>
<b>6 Peripheral I/O map.....</b>	<b>24</b>
<b>7 CYT3BB/4BB clock diagram .....</b>	<b>26</b>
<b>8 CYT3BB/4BB CPU start-up sequence .....</b>	<b>27</b>
<b>9 Pin assignment .....</b>	<b>28</b>
<b>10 High-speed I/O matrix connections .....</b>	<b>35</b>
<b>11 Package pin list and alternate functions .....</b>	<b>36</b>

<b>12 Power pin assignments</b> .....	<b>45</b>
<b>13 Alternate function pin assignments</b> .....	<b>46</b>
13.1 Pin function description .....	54
<b>14 Interrupts and wake-up assignments</b> .....	<b>56</b>
<b>15 Core interrupt types</b> .....	<b>66</b>
<b>16 Trigger multiplexer</b> .....	<b>67</b>
<b>17 Triggers group inputs</b> .....	<b>69</b>
<b>18 Triggers group outputs</b> .....	<b>73</b>
<b>19 Triggers one-to-one</b> .....	<b>74</b>
<b>20 Peripheral clocks</b> .....	<b>79</b>
<b>21 Faults</b> .....	<b>82</b>
<b>22 Peripheral protection unit fixed structure pairs</b> .....	<b>85</b>
<b>23 Bus masters</b> .....	<b>99</b>
<b>24 Miscellaneous configuration</b> .....	<b>100</b>
<b>25 Development support</b> .....	<b>102</b>
25.1 Documentation .....	102
25.1.1 Software user guide .....	102
25.1.2 Technical reference manual.....	102
25.2 Tools .....	102
<b>26 Electrical specifications</b> .....	<b>103</b>
26.1 Absolute maximum ratings .....	103
26.2 Device-level specifications .....	110
26.3 DC specifications.....	111
26.4 Reset specifications .....	116
26.5 I/O .....	117
26.6 Analog peripherals.....	123
26.6.1 SAR ADC .....	123
26.6.2 Calculating the impact of neighboring pins .....	124
26.6.3 Voltage divider accuracy .....	128
26.7 AC specifications .....	129
26.8 Digital peripherals.....	130
26.9 Memory.....	140
26.10 System resources.....	142
26.10.1 SWD interface .....	152
26.11 Clock specifications .....	154
26.12 Clock timing diagrams.....	161
26.13 Ethernet specifications.....	163
26.14 SDHC specifications.....	166
26.15 Audio subsystem specifications.....	171
26.16 Serial memory interface specifications .....	175
<b>27 Ordering information</b> .....	<b>182</b>
27.1 Part number nomenclature.....	183
<b>28 Packaging</b> .....	<b>185</b>
<b>29 Appendix</b> .....	<b>190</b>
29.1 Bootloading or End-of-line (EoL) Programming .....	190
29.2 External IP revisions.....	191
<b>30 Acronyms</b> .....	<b>192</b>
<b>31 Errata</b> .....	<b>194</b>
<b>Revision history</b> .....	<b>199</b>

# 1 Features list

**Table 1-1** CYT3BB/4BB feature list for all packages

Features	Packages			
	100-TEQFP	144-TEQFP	176-TEQFP	272-BGA
<b>CPU</b>				
Core	One or two 32-bit Arm® Cortex®-M7 CPUs and a 32-bit Arm® Cortex® M0+ CPU			
Functional safety	ASIL-B			
Operating voltage	2.7 V to 5.5 V			
Operating voltage for HSIO_STD	Not supported			2.7 V to 3.6 V
Core voltage	1.05 V to 1.15 V			
Operating frequency	Arm® Cortex®-M7 250 MHz (max for each) and Arm® Cortex®-M0+ 100 MHz (max)			
MPU, PPU	Supported			
FPU	Supports both single (32-bit) and double (64-bit) precision			
DSP-MUL/DIV/MAC	Supported by Arm® Cortex®-M7 CPUs			
TCM	16-KB instruction and 16-KB data for each Cortex-M7 CPU			
<b>Memory</b>				
Code-flash	4160 KB (4032 KB + 128 KB)			
Work-flash	256 KB (192 KB + 64 KB)			
SRAM (configurable for retention)	768 KB			
ROM	64 KB			
<b>Communication interfaces</b>				
CAN0 (CAN-FD: Up to 8 Mbps)	4 ch			
CAN1 (CAN-FD: Up to 8 Mbps)	4 <sup>[3]</sup> /3 <sup>[4]</sup> ch	4 ch		
CAN RAM	32 KB per instance (CAN0/1), 64 KB in total			
Serial communication block (SCB/UART)	9 ch	10 ch	11 ch	
Serial communication block (SCB/I <sup>2</sup> C)	9 <sup>[5]</sup> /8 <sup>[6]</sup> ch	10 ch	11 ch	
Serial communication block (SCB/SPI)	8 ch	10 ch	11 ch	
LIN	9 ch	12 ch	16 ch	
Ethernet MAC	1 ch × 10/100 (ETH0, MII/RMII on GPIO_STD)			
<b>Memory interfaces</b>				
eMMC/SD	1 ch (GPIO_STD at 32 MHz)			1 ch (HSIO_STD at 50 MHz, GPIO_STD at 32 MHz)
Single SPI / Dual SPI / Quad SPI / Octal SPI / HYPERBUS™	1 ch (GPIO_STD at 32 MHz)			1 ch (HSIO_STD at 100 MHz, GPIO_STD at 32 MHz)

# TRAVEO™ T2G 32-bit Automotive MCU

## Based on Arm® Cortex®-M7 single/dual



Features list

**Table 1-1** CYT3BB/4BB feature list for all packages (continued)

Features	Packages			
	100-TEQFP	144-TEQFP	176-TEQFP	272-BGA
<b>Timers</b>				
RTC	1 ch			
TCPWM (16-bit) (Motor Control)	12 ch			
TCPWM (16-bit)	63 ch			
TCPWM (32-bit)	8 ch			
<b>External interrupts</b>	72	116	148	220
<b>Analog</b>				
12-bit, 1 Msps SAR ADC	3 Units (SAR0/32, SAR1/32, SAR2/8 logical channels)			
	37 external channels (SAR0/14 ch, SAR1/15 ch, SAR2/8 ch)	52 external channels (SAR0/21 ch, SAR1/23 ch, SAR2/8 ch)	64 external channels (SAR0/24 ch, SAR1/32 ch, SAR2/8 ch)	72 external channels (SAR0/32 ch, SAR1/32 ch, SAR2/8 ch)
	18 ch (6 per ADC) Internal sampling			
Motor control input	3 ch (synchronous sampling of one channel on each of the 3 ADCs)			
<b>Security</b>				
Flash security (program/work read protection)	Supported			
Flash chip erase enable	Configurable			
eSHE / HSM	By separate firmware <sup>[2]</sup>			
<b>Audio</b>				
I <sup>2</sup> S / TDM	Tx 2 ch, Rx 2 ch	Tx 3 ch, Rx 3 ch		
<b>System</b>				
DMA controller	P-DMA0 with 100 channels (16 general-purpose), P-DMA1 with 58 channels (8 general-purpose), and M-DMA0 with 8 channels			
Internal main oscillator	8 MHz			
Internal low speed oscillator	32.768 kHz (nominal)			
PLL	Input: 3.988 to 33.34 MHz, PLL output: up to 250 MHz			
FLL	Input: 0.25 to 80 MHz, FLL output: up to 100 MHz			
Watchdog timer and Multi-counter Watchdog timer	Supported			
Clock supervisor	Supported			
Cyclic wakeup from DeepSleep	Supported			
GPIO_STD	68	112	144	203
GPIO_ENH	4			
HSIO_STD	Not supported			13
Smart I/O (Blocks)	3 blocks, mapped through 15 I/Os	5 blocks, mapped through 27 I/Os	5 blocks, mapped through 36 I/Os	
Low-voltage detect	Two, 26 selectable levels			

**Note**

2. Enhanced Secure Hardware Extension (eSHE) and Hardware Security Module (HSM) support are enabled by third-party firmware.



Features list

**Table 1-1** CYT3BB/4BB feature list for all packages (continued)

Features	Packages			
	100-TEQFP	144-TEQFP	176-TEQFP	272-BGA
Maximum ambient temperature	105 °C for S-grade, 125 °C for E-grade			
Debug interface	SWD/JTAG			
Debug trace	Arm® Cortex®-M7 ETB size of 8 KB, Arm® Cortex® M0+ MTB size of 4 KB			

**1.1 Communication peripheral instance list**

The following table lists the instances supported under each package for communication peripherals, based on the minimum pins needed for the functionality.

**Table 1-2** Communication peripheral instance list

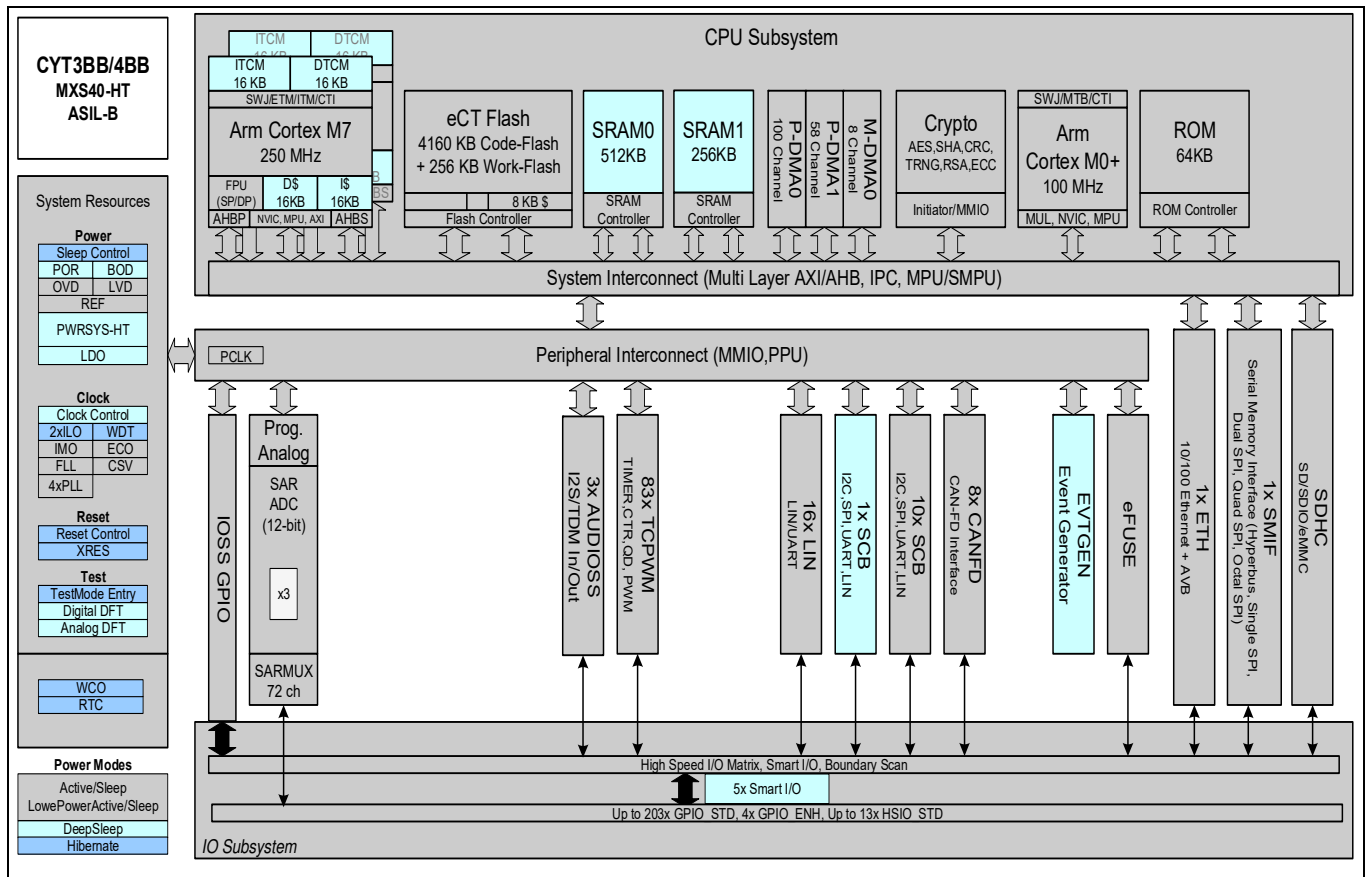
Module	100-TEQFP	144-TEQFP	176-TEQFP	272-BGA	Minimum pin functions
CAN0	0/1/2/3	0/1/2/3	0/1/2/3	0/1/2/3	TX, RX
CAN1	0/1/2/3 <sup>[3]</sup> or 0/2/3 <sup>[4]</sup>	0/1/2/3	0/1/2/3	0/1/2/3	TX, RX
LIN0	0/1/2/3/4/6/7/8/9	0 to 11	0 to 15	0 to 15	TX, RX
SCB/UART	0 to 8	0 to 9	0 to 9	0 to 10	TX, RX
SCB/I2C	0 to 8 <sup>[5]</sup> or 0/1/2/3/4/5/7/8 <sup>[6]</sup>	0 to 9	0 to 9	0 to 10	SCL, SDA
SCB/SPI	0/1/2/3/4/5/7/8	0 to 9	0 to 9	0 to 10	MISO, MOSI, SCK, SELECT0

**Notes**

3. Function EXT\_PS\_CTL0 on P22.1 is not used.
4. Function EXT\_PS\_CTL0 on P22.1 is used.
5. Functions EXT\_PS\_CTL0 on P21.1 and EXT\_PS\_CTL1 on P21.2 are not used.
6. Function EXT\_PS\_CTL0 on P21.1 or EXT\_PS\_CTL1 on P21.2 is used.

## 2 Blocks and functionality

### 2.1 Block diagram



The **Block diagram** shows the CYT3BB/4BB architecture block diagram, giving a simplified view of the interconnection between subsystems and blocks. CYT3BB/4BB has four major subsystems: CPU, system resources, peripherals, and I/O<sup>[7, 8, 9]</sup>. The color-coding shows the lowest power mode where the particular block is still functional.

CYT3BB/4BB provides extensive support for programming, testing, debugging, and tracing of both hardware and firmware.

Debug-on-chip functionality enables in-system debugging using the production device. It does not require special interfaces, debugging pods, simulators, or emulators.

The JTAG interface is fully compatible with industry-standard third-party probes such as I-jet, J-Link, and GHS.

The debug circuits are enabled by default.

CYT3BB/4BB provides a high level of security with robust flash protection and the ability to disable features such as debug.

Additionally, each device interface can be permanently disabled for applications concerned with phishing attacks from a maliciously reprogrammed device or attempts to defeat security by starting and interrupting flash programming sequences. All programming, debug, and test interfaces are disabled when maximum device security is enabled.

#### Notes

- GPIO\_STD supports 2.7 V to 5.5 V  $V_{DDIO}$  range.
- GPIO\_ENH supports 2.7 V to 5.5 V  $V_{DDIO}$  range with higher currents at lower voltages.
- HSIO\_STD supports 2.7 V to 3.6 V  $V_{DDIO}$  range with high-speed signalling and programmable drive strength.

## **3 Functional description**

### **3.1 CPU subsystem**

#### **3.1.1 CPU**

The CYT3BB/4BB CPU subsystem contains a 32-bit Arm® Cortex®-M0+ CPU with MPU, and one or two 32-bit Arm® Cortex®-M7 CPUs, each with MPU, single/double-precision FPU, and 16-KB data and instruction caches. This subsystem also includes P-/M-DMA controllers, a cryptographic accelerator, 4160 KB of code-flash, 256 KB of work-flash, 768 KB of SRAM, and 64 KB of ROM.

The Cortex®-M0+ CPU provides a secure, un-interruptible boot function. This guarantees that, following completion of the boot function, system integrity is valid and privileges are enforced. Shared resources (flash, SRAM, peripherals, and so on) can be accessed through bus arbitration, and exclusive accesses are supported by an inter-processor communication (IPC) mechanism using hardware semaphores.

Each Cortex®-M7 CPU has 16 KB of instruction and 16 KB of data TCM with programmable read wait states. Each TCM is clocked by the associated Cortex®-M7 CPU clock.

#### **3.1.2 DMA controllers**

CYT3BB/4BB has three DMA controllers: P-DMA0 with 16 general-purpose and 84 dedicated channels, P-DMA1 with 8 general-purpose and 50 dedicated channels, and M-DMA0 with eight channels. P-DMA is used for peripheral-to-memory and memory-to-peripheral data transfers and provides low latency for a large number of channels. Each P-DMA controller uses a single data-transfer engine that is shared by the associated channels. General-purpose channels have a rich interconnect matrix including P-DMA cross triggering which enables demanding data-transfer scenarios. Dedicated channels have a single triggering input (such as an ADC channel) to handle common transfer needs. M-DMA is used for memory-to-memory data transfers and provides high memory bandwidth for a small number of channels. M-DMA uses a dedicated data-transfer engine for each channel. They support independent accesses to peripherals using the AHB multi-layer bus.

#### **3.1.3 Flash**

CYT3BB/4BB has 4160 KB (4032 KB with a 32-KB sector size, and 128 KB with an 8-KB sector size) of code-flash with an additional work-flash of 256 KB (192 KB with a 2-KB sector size, and 64 KB with a 128-B sector size). Work-flash is optimized for reprogramming many more times than code-flash. Code-flash supports Read-While-Write (RWW) operation allowing flash to be updated while the CPU is active. Both the code-flash and work-flash areas support dual-bank operation for over-the-air (OTA) programming.

#### **3.1.4 SRAM**

CYT3BB/4BB has 768 KB of SRAM with two independent controllers. SRAM0 provides DeepSleep retention in 32-KB increments while SRAM1 is selectable between fully retained and not retained.

#### **3.1.5 ROM**

CYT3BB/4BB has 64 KB of ROM that contains boot and configuration routines. This ROM enables secure boot and authentication of user flash to guarantee a secure system.

#### **3.1.6 Cryptography accelerator for security**

The cryptography accelerator implements (3)DES block cipher, AES block cipher, SHA hash, cyclic redundancy check, pseudo random number generation, true random number generation, galois/counter mode, and a vector unit to support asymmetric key cryptography such as RSA and ECC.

## 3.2 System resources

### 3.2.1 Power system

The power system ensures that the supply voltage levels meet the requirements of each power mode, and provides a full-system reset when these levels are not valid. Internal power-on reset (POR) guarantees full-chip reset during the initial power ramp.

Three BOD circuits monitor the external supply voltages ( $V_{DD}$ ,  $V_{DDA}$ ,  $V_{CCD}$ ). The BOD on  $V_{DD}$  and  $V_{CCD}$  is initially enabled and cannot be disabled. The BOD on  $V_{DDA}$  is initially disabled and can be enabled by the user. For the external supplies  $V_{DD}$  and  $V_{DDA}$ , BOD circuits are software-configurable with two settings; a 2.7-V minimum voltage that is robust for all internal signaling, and a 3.0-V minimum voltage, which is also robust for all I/O specifications (which are guaranteed at 2.7 V). The BOD on  $V_{CCD}$  is provided as a safety measure and is not a robust detector.

Three over-voltage detection (OVD) circuits are provided for monitoring external supplies ( $V_{DD}$ ,  $V_{DDA}$ ,  $V_{CCD}$ ), and overcurrent detection circuits (OCD) for monitoring internal and external regulators. OVD thresholds on  $V_{DD}$  and  $V_{DDA}$  are configurable with two settings; a 5.0-V and 5.5-V maximum voltage.

Two voltage detection circuits are provided to monitor the external supply voltage ( $V_{DD}$ ) for falling and rising levels, each configurable for one of the 26 selectable levels.

All BOD, OVD, and OCD circuits on  $V_{DD}$  and  $V_{CCD}$  generate a reset, because these protect the CPUs and fault logic. The BOD and OVD circuits on  $V_{DDA}$  can be configured to generate either a reset, or a fault.

### 3.2.2 Regulators

CYT3BB/4BB contains three regulators that provide power to the low-voltage core transistors: DeepSleep, core internal, and core external. These regulators accept a 2.7-V to 5.5-V  $V_{DD}$  supply and provide a low-noise 1.1-V supply to various parts of the device. These regulators are automatically enabled and disabled by hardware and firmware when switching between power modes. The core internal and core external regulators operate in Active mode, and provide power to the CPU subsystem and associated peripherals.

#### 3.2.2.1 DeepSleep

The DeepSleep regulator is used to maintain power in a small number of blocks when in DeepSleep mode. These blocks include the ILO and WDT timers, BOD detector, SCB0, SRAM memories, Smart I/O, and other configuration memories. The DeepSleep regulator is enabled when in DeepSleep mode, and the core internal regulator is disabled. It is disabled when XRES\_L is asserted (LOW) and when the core internal regulator is disabled.

#### 3.2.2.2 Core internal

The core internal regulator supports load currents up to 300 mA, and is operational during device start-up (boot process), and in Active/Sleep modes.

#### 3.2.2.3 Core external<sup>[10]</sup>

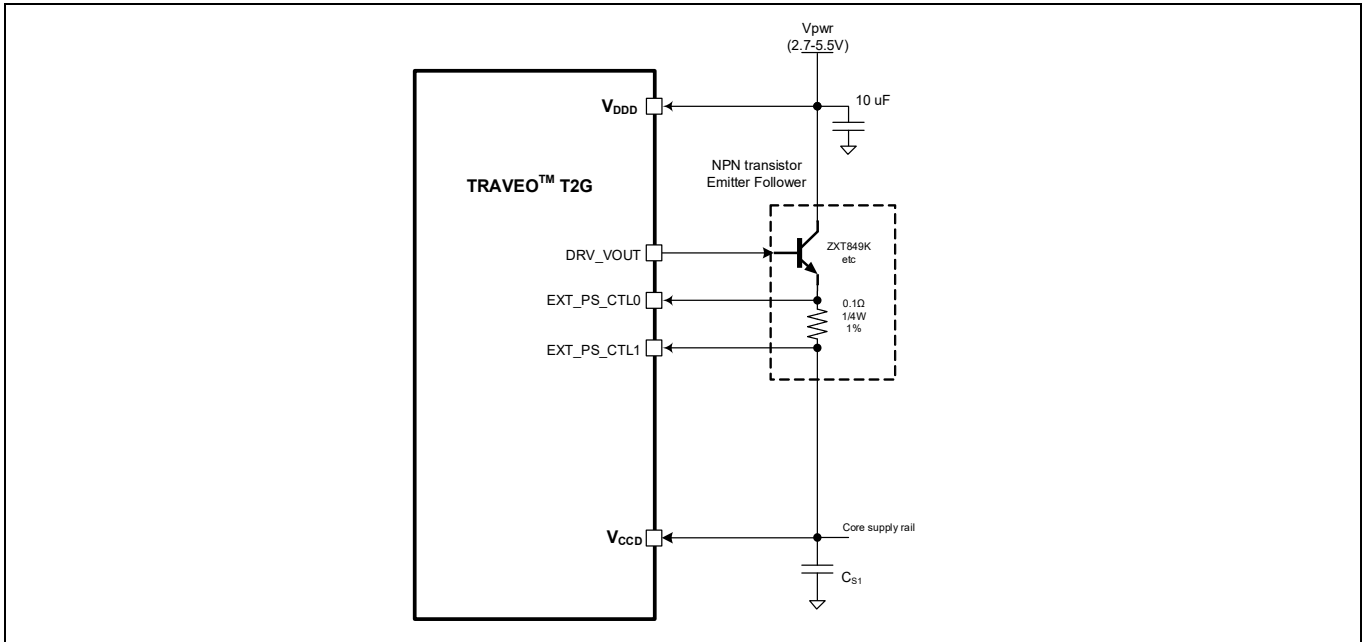
To support worst-case loading, with both M7 CPUs and the M0+ CPU at their maximum clock frequency and all integrated peripherals operating, a core external regulator is required, capable of load currents up to 600 mA. While the control and monitor circuits for the core external regulator are internal to CYT3BB/4BB, the power regulating element (NPN pass transistor, PMIC, or LDO) is external. This reduces the overall power dissipation within the CYT3BB/4BB package, while maintaining a well-regulated core supply.

The core external regulator may be implemented with either an external NPN pass transistor, PMIC, or linear regulator (LDO). Each implementation requires different external components on the PCB, and different connections to CYT3BB/4BB for both regulation and control.

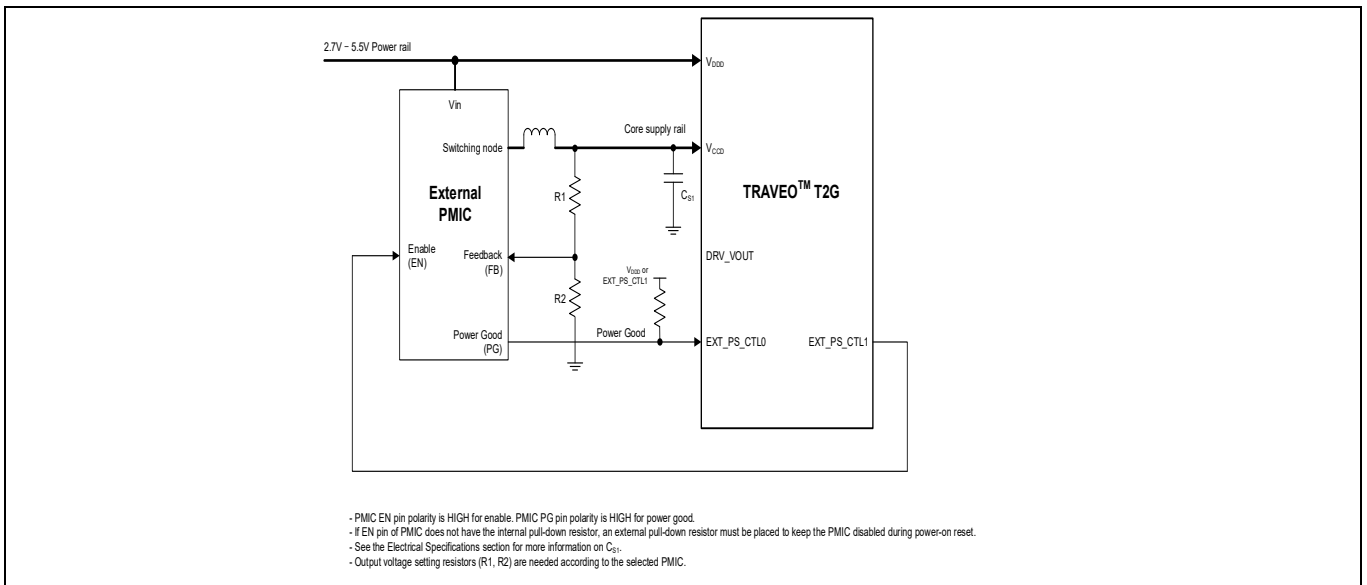
#### Note

10. When CYT3BB/4BB is in Hibernate mode, the GPIO used to control the core external regulator are High-Z. This may require an external pull-up or pull-down resistor to disable the external regulator and configure it for minimum operating current.

Functional description



**Figure 3-1 Sample core external regulator with NPN transistor**



**Figure 3-2 Sample core external regulator with PMIC/LDO**

Both the core internal and core external regulators require an external bulk storage capacitor connected to the VCCD pin. This capacitor provides charge under the dynamic loads of the low-voltage core transistors.

### 3.2.3 Clock system

The CYT3BB/4BB clock system provides clocks to all subsystems that require them, and glitch-free switching between different clock sources. In addition, the clock system ensures that no metastable conditions occur.

The clock system for CYT3BB/4BB consists of the 8-MHz IMO, two ILOs, four watchdog timers, four PLLs, an FLL, five clock supervisors (CSV), a 8- to 33.34-MHz ECO, and a 32.768-kHz WCO.

The clock system supports three main clock domains: CLK\_HF, CLK\_SLOW, and CLK\_LF.

- CLK\_HF<sub>x</sub> are the active mode clocks. Each can use any of the high-frequency clock sources including IMO, EXT\_CLK, ECO, FLL, or PLL
- CLK\_SLOW provides a reference clock for the Cortex-CM0+ CPU, Crypto, P-/M-DMA, and other slow infrastructure blocks of CPU subsystem
- CLK\_LF is a DeepSleep domain clock and provides a reference clock for the MCWDT or RTC modules. The reference clock for the CLK\_LF domain is either disabled or selectable from ILO0, ILO1, or WCO.

**Table 3-1 CLK\_HF destinations**

Name	Description
CLK_HF0	CPUSS (Memories, CLK_SLOW, Peripherals)
CLK_HF1	CPUSS (Cortex-M7 CPU 0, 1)
CLK_HF2	CAN FD, LIN, TCPWM, SCB, SAR
CLK_HF3	Event Generator
CLK_HF4	Ethernet Internal Clock
CLK_HF5	Audio Subsystem (I <sup>2</sup> S), Ethernet TSU
CLK_HF6	SDHC Interface, SMIF

#### 3.2.3.1 IMO clock source

The IMO is the frequency reference in CYT3BB/4BB when no external reference is available or enabled. The IMO operates at a frequency of around 8 MHz.

#### 3.2.3.2 ILO clock source

An ILO is a low-power oscillator, nominally 32.768 kHz, which generates clocks for a watchdog timer when in DeepSleep mode. There are two ILOs to ensure clock supervisor (CSV) capability in DeepSleep mode. ILO-driven counters can be calibrated to the IMO, WCO, or ECO to improve their accuracy. ILO1 is also used for clock supervision.

#### 3.2.3.3 PLL and FLL

A PLL (one of the two 200 MHz and two 400 MHz) or FLL may be used to generate high-speed clocks from the IMO, ECO, or an EXT\_CLK. The FLL provides a much faster lock than the PLL (5 μs instead of 45 μs) in exchange for a small amount (±2%) of frequency error<sup>[11]</sup>. A 400-MHz PLL supports spread spectrum clock generation (SSCG) with down spreading

#### 3.2.3.4 Clock supervisor

Each clock supervisor (CSV) allows one clock (reference) to supervise the behavior of another clock (monitored). Each CSV has counters for both the monitored and reference clocks. Parameters for each counter determine the frequency of the reference clock as well as the upper and lower frequency limits of the monitored clock. If the frequency-range comparator detects a stopped clock or a clock outside the specified frequency range, an abnormal state is signaled and either a reset or an interrupt is generated.

**Note**

11.Operation of reference-timed peripherals (such as a UART) with an FLL-based reference is not recommended due the allowed frequency error.

### 3.2.3.5 EXT\_CLK

One of the three GPIO\_STD I/Os can be used to provide an external clock input of up to 80 MHz. This clock can be used as the source clock for either the PLL or FLL, or can be used directly by the CLK\_HF domain.

### 3.2.3.6 ECO

The ECO provides high-frequency clocking using an external crystal connected to the ECO\_IN and ECO\_OUT pins. It supports fundamental mode (non-overtone) quartz crystals, in the range of 8 to 33.34 MHz. When used in conjunction with the PLL, it generates CPU and peripheral clocks up to the device's maximum frequency. ECO accuracy depends on the selected crystal. If the ECO is disabled, the associated pins can be used for any of the available I/O functions.

### 3.2.3.7 WCO

The WCO is a low-power, watch-crystal oscillator intended for real-time-clock applications. It requires an external 32.768-kHz crystal connected to the WCO\_IN and WCO\_OUT pins. The WCO can also be configured as a clock reference for CLK\_LF, which is the clock source for the MCWDT and RTC.

### 3.2.4 Reset

CYT3BB/4BB can be reset from a variety of sources, including software. Most reset events are asynchronous and guarantee reversion to a known state. The reset cause (POR, BOD, OVD, overcurrent, XRES\_L, WDT, MCWDT, software reset, fault, CSV, Hibernate wakeup, debug) is recorded in a register, which is sticky through reset and allows software to determine the cause of the reset. An XRES\_L pin is available for external reset.

### 3.2.5 Watchdog timer

CYT3BB/4BB has one watchdog timer (WDT) and three multi-counter watchdog timers (MCWDT).

The WDT is a free-running counter clocked only by ILO0, which allows it to be used as a wakeup source from Hibernate. Watchdog operation is possible during all power modes. To prevent a device reset from a WDT timeout, the WDT must be serviced during a configured window. A watchdog reset is recorded in the reset cause register.

An MCWDT is available for each of the CPU cores. These timers provide more capabilities than the WDT, and are only available in Active, Sleep, and DeepSleep modes. These timers have multiple counters that can be used separately or cascaded to trigger interrupts and/or resets. They are clocked from ILO0 or the WCO.

### 3.2.6 Power modes

CYT3BB/4BB has six power modes.

- Active – all peripherals are available
- Low-Power Active (LPACTIVE) – Low-power profile of Active mode where all peripherals and the CPUs are available, but with limited capability
- Sleep – all peripherals except the CPUs are available
- Low-Power Sleep (LPSLEEP) – Low-power profile of Sleep mode where all peripherals except the CPUs are available, but with limited capability
- DeepSleep – only peripherals which work with CLK\_LF are available
- Hibernate – the device and I/O states are frozen, the device resets on wakeup

### 3.3 Peripherals

#### 3.3.1 Peripheral clock dividers

Integer and fractional clock dividers are provided for peripheral and timing purposes.

**Table 3-2 Clock dividers - CPUSS Group (Nr. 0)**

Divider type	Instances	Description
div_8	3	Integer divider, 8 bits
div_16	1	Integer divider, 16 bits

**Table 3-3 Clock dividers - COMM Group (Nr. 1)**

Divider type	Instances	Description
div_8	16	Integer divider, 8 bits
div_16	17	Integer divider, 16 bits
div_24_5	16	Fractional divider, 24.5 bits (24 integer bits, 5 fractional bits)

#### 3.3.2 Peripheral protection unit

The Peripheral Protection Unit (PPU) controls and monitors unauthorized access from all masters (CPU, P-/M-DMA, Crypto, and any enabled debug interface) to the peripherals. It allows or restricts data transfers on the bus infrastructure. The access rules are enforced based on specific properties of a transfer, such as an address range for the transfer and access attributes (such as read/write, user/privilege, and secure/non-secure).

#### 3.3.3 12-bit SAR ADC

CYT3BB/4BB contains three 1-Msps SAR ADCs. These ADCs can be clocked at up to 26.67 MHz and provide a 12-bit result in 26 clock cycles. The references for all three SAR ADCs come from a dedicated pair of inputs: VREFH and VREFL<sup>[12]</sup>.

CYT3BB/4BB supports up to 93 logical ADC channels, and external inputs from up to 75 I/Os. Each ADC also supports six internal connections for diagnostic and monitoring purposes. The number of ADC channels (per ADC and package type) are listed in [Table 1-1](#).

Each ADC has a sequencer, which autonomously cycles through the configured channels (sequencer scan) with zero-switching overhead (that is, the aggregate sampling bandwidth, when clocked at 26.67 MHz, is equal to 1 Msps whether it is for a single channel or distributed over several channels). The sequencer switching is controlled through a state machine or firmware. The sequencer prioritizes trigger requests, enables the appropriate analog channel, controls ADC sampling, initiates ADC data conversion, manages results, and initiates subsequent conversions for repetitive or group conversions without CPU intervention.

Each SAR ADC has an analog multiplexer used to connect the signals to be measured to the ADC. It has 32 GPIO\_STD inputs, one special GPIO\_STD input for motor-sense, and six additional inputs to measure internal signals such as a band-gap reference, a temperature sensor, and power supplies. The device supports synchronous sampling of one motor-sense channel on each of the three ADCs.

CYT3BB/4BB has one temperature sensor that is shared by all three ADCs. The temperature sensor must only be sampled by one ADC at a time. Software post-processing is required to convert the temperature sensor reading into kelvin or Celsius values.

To accommodate signals with varying source impedances and frequencies, it is possible to have different sample times programmed for each channel. Each ADC also supports range comparison, which allows fast detection of out-of-range values without having to wait for a sequencer scan to complete and for the CPU firmware to evaluate the measurement for out-of-range values. The ADCs are not usable in DeepSleep and Hibernate modes as they require a high-speed clock. The ADC input reference voltage VREFH range is 2.7 V to  $V_{DDA}$  and VREFL is  $V_{SSA}$ .

**Note**

12.VREF\_L prevents IR drops in the VSSIO and VSSA paths from impacting the measurements. VREF\_L, when properly connected, reduces or removes the impact of IR drops in the VSSIO and VSSA paths from measurements.



### 3.3.4 Timer/counter/PWM block (TCPWM)

The TCPWM block consists of 16-bit (75 channels) and 32-bit (8 channels) counters with user-programmable period. Twelve of the 16-bit counters are optimized for motor-control operations. Each TCPWM counter contains a capture register to record the count at the time of an event, a period register (used to either stop or auto-reload the counter when its count is equal to the period register), and compare registers to generate signals that are used as PWM duty-cycle outputs.

Each counter within the TCPWM block supports several functional modes such as timer, capture, quadrature, PWM, PWM with dead-time insertion (PWM\_DT, 8-bit), pseudo-random PWM (PWM\_PR), and shift-register.

In motor-control applications, the counter within the TCPWM block supports enhanced quadrature mode with features such as asymmetric PWM generation, dead-time insertion (16-bit), and association of different dead times for PWM output signals.

The TCPWM block also provides true and complement outputs, with programmable offset between them, to allow their use as deadband complementary PWM outputs. The TCPWM block also has a kill input (only for the PWM mode) to force outputs to a predetermined state; for example, this may be used in motor-drive systems when an overcurrent state is detected and the PWMs driving the FETs need to be shut off immediately (no time for software intervention).

### 3.3.5 Serial communication blocks (SCB)

CYT3BB/4BB contains up to 11 serial communication blocks, each configurable to support I<sup>2</sup>C, UART, or SPI.

#### 3.3.5.1 I<sup>2</sup>C interface

An SCB can be configured to implement a full I<sup>2</sup>C master (capable of multi-master arbitration) or slave interface. Each SCB configured for I<sup>2</sup>C can operate at speeds of up to 1 Mbps (Fast-mode Plus) and has flexible buffering options to reduce the interrupt overhead and latency of the CPU. In addition, each SCB supports FIFO buffering for receive and transmit data, which, by increasing the time for the CPU to read the data, reduces the need for clock stretching. The I<sup>2</sup>C interface is compatible with Standard, Fast-mode, and Fast-mode Plus devices as specified in the NXP I<sup>2</sup>C-bus specification and user manual (UM10204). The I<sup>2</sup>C-bus I/O is implemented with GPIO in open-drain modes<sup>[13, 14]</sup>.

#### 3.3.5.2 UART interface

When configured as a UART, each SCB provides a full-featured UART with maximum signalling rate determined by the configured peripheral-clock frequency and over-sampling rate. It supports infrared interface (IrDA) and SmartCard (ISO 7816) protocols, which are minor variants of the UART protocol. It also supports the 9-bit multi-processor mode that allows the addressing of peripherals connected over common Rx and Tx lines. Common UART functions such as parity, number of stop bits, break detect, and frame error are supported. FIFO buffering of transmit and receive data allows greater CPU service latencies to be tolerated.

The LIN protocol is supported by the UART. LIN is based on a single-master multi-slave topology. There is one master node and multiple slave nodes on the LIN bus. The SCB UART supports only LIN slave functionality. Compared to the dedicated LIN blocks, an SCB/UART used for LIN requires a higher level of software interaction and increased CPU load.

#### Notes

13. This is not 100% compliant with the I<sup>2</sup>C-bus specification; I/Os are not over-voltage tolerant, do not support the 20-mA sink requirement of Fast-mode Plus, and violate the leakage specification when no power is applied.

14. Only Port 0 with the slew rate control enabled meets the minimum fall time requirement.

### 3.3.5.3 SPI interface

The SPI configuration supports full Motorola SPI, TI Synchronous Serial Protocol (SSP, essentially adds a start pulse that is used to synchronize SPI-based Codecs), and National Microwire (a half-duplex form of SPI). The SPI interface can use the FIFO. The SPI interface operates with up to a 12.5-MHz SPI Clock. SCB also supports EZSPI<sup>[15]</sup> mode.

SCB0 supports the following additional features:

- Operable as a slave in DeepSleep mode
- I<sup>2</sup>C slave EZ (EZI<sup>2</sup>C<sup>[16]</sup>) mode with up to 256-B data buffer for multi-byte communication without CPU intervention
- I<sup>2</sup>C slave externally-clocked operations
- Command/response mode with a 512-B data buffer for multi-byte communication without CPU intervention

### 3.3.6 CAN FD

CYT3BB/4BB contains two CAN FD controller blocks, each supporting four CAN FD channel. All CAN FD controllers are compliant with the ISO 11898-1:2015 standard; an ISO 16845:2015 certificate is available. It also implements the time-triggered CAN (TTCAN) protocol specified in ISO 11898-4 (TTCAN protocol levels 1 and 2) completely in hardware. All functions concerning the handling of messages are implemented by the Rx and Tx handlers. The Rx handler manages message acceptance filtering, transfer of received messages from the CAN core to a message RAM, and provides receive-message status. The Tx handler is responsible for the transfer of transmit messages from the message RAM to the CAN core, and provides transmit-message status.

### 3.3.7 Local interconnect network (LIN)

CYT3BB/4BB contains up to 16 LIN blocks. Each block supports transmission/reception of data following the LIN protocol according to ISO standard 17987. Each LIN block connects to an external transceiver through a 3-pin interface (including an enable function) and supports master and slave functionality. Each block also supports classic and enhanced checksum, along with break detection during message reception and wake-up signaling. Break detection, sync field, checksum calculations, and error interrupts are handled in hardware.

### 3.3.8 Ethernet MAC

CYT3BB/4BB supports one Ethernet channel with transfer rates of 10, or 100 Mbps. The input/output frames and flow control are compliant to the Ethernet/IEEE 802.3bw standard and also IEEE-1588 precision-time protocol (PTP). CYT3BB/4BB supports half/full-duplex data transport using external PHY devices. The MAC supports glue-free connection to PHYs through IEEE standard MII, and RMII interfaces. The device also supports Audio-Video Bridging (AVB). The MAC supports standard 6-byte programmable addresses.

### 3.3.9 External memory interface

In addition to the internal flash memory, CYT3BB/4BB supports direct connection to as much as 128 MB of external flash or RAM memory. This connection is made through either a HYPERBUS™ or serial peripheral interface (SPI). HYPERBUS™ allows connection to HYPERFLASH™ and HYPERRAM™ devices, while SPI (single, dual, quad, or octal SPI) can connect with serial flash memory. Code stored in memory connected through this interface allows execute-in-place (XIP) operation, which does not require the instructions to be first copied to internal memory, and on-the-fly encryption and decryption for environments requiring secure external data and code.

#### Notes

15. The Easy SPI (EZSPI) protocol is based on the Motorola SPI protocol operating in any mode (0, 1, 2, or 3). It allows communication between master and slave while reducing the need for CPU intervention.

16. The Easy I<sup>2</sup>C (EZI<sup>2</sup>C) protocol is a unique communication scheme built on top of the I<sup>2</sup>C protocol by Cypress. It uses a meta protocol around the standard I<sup>2</sup>C protocol to communicate to an I<sup>2</sup>C slave using indexed memory transfers. This reduces the need for CPU intervention.

### 3.3.10 SDHC interface

CYT3BB/4BB supports one Secure Digital High Capacity (SDHC) interface, which conforms to Secure Digital (SD) 6.0, Secure Digital Input Output (SDIO) 4.10, and Embedded Multimedia Card (eMMC) 5.1 specifications, along with Host Control Interface (HCI) 4.2 specification. The interface supports System DMA (SDMA), Advance DMA (ADMA2, ADMA3), and command queuing (CQ) features. This interface supports data rates of SD DS (Default Speed, 4-bits at 25 MHz), SD HS (High Speed, 4-bits at 50 MHz), and eMMC 52-MHz DDR (8-bits at 52-MHz card clock).

### 3.3.11 Audio interface

CYT3BB/4BB supports three instances of Inter-IC Sound Bus (I<sup>2</sup>S) interface to connect to digital audio devices: Supports I<sup>2</sup>S Left Justified (LJ), and eight-channel Time Division Multiplexed (TDM) digital audio interface formats in both master and slave modes with independent operations in receive and transmit directions.

### 3.3.12 One-time-programmable (OTP) eFuse

CYT3BB/4BB contains a 1024-bit OTP eFuse memory that can be used to store and access a unique and unalterable identifier or serial number for each device. eFuses are also used to control the device life-cycle (manufacturing, programming, normal operation, end-of-life, and so on) and the security state. Of the 1024 bits, 192 are available for user purposes.

### 3.3.13 Event generator

The event generator supports generation of interrupts and triggers in Active mode and interrupts in DeepSleep mode. The event generators are used to trigger a specific device operation (execution of an interrupt handler, a SAR ADC conversion, and so on) and to provide a cyclic wakeup mechanism from DeepSleep mode. They provide CPU-free triggers for device functions, and reduce CPU involvement in triggering device functions, thus reducing overall power consumption and processing overhead.

### 3.3.14 Trigger multiplexer

CYT3BB/4BB supports connection of various peripherals using trigger signals. Triggers are used to inform a peripheral of the occurrence of an event or change of state. These triggers are used to affect or initiate some action in other peripherals. The trigger multiplexer is used to route triggers from a source peripheral to a destination. Triggers provide active logic functionality and are typically supported in Active mode.

## 3.4 I/Os

CYT3BB/4BB has up to 220 programmable I/Os.

The I/Os are organized as logical entities called ports, which are a maximum of 8 bits wide. During power-on, and reset, the I/Os are forced to the High-Z state. During the Hibernate mode, I/Os are frozen.

Every I/O can generate an interrupt (if enabled) and each port has an interrupt request (IRQ) and interrupt service routine (ISR) associated with it.

I/O port power source mapping is listed in [Table 3-4](#). The associated supply determines the  $V_{OH}$ ,  $V_{OL}$ ,  $V_{IH}$ , and  $V_{IL}$  levels when configured for CMOS and Automotive thresholds.

**Table 3-4 I/O port power source**

Supply pins	Ports
VDDD	P0, P1, P2, P3, P4, P5, P16, P17, P18, P19, P20, P21, P22, P23, P28, P29, P30, P31
VDDIO_1	P6, P7, P8, P9, P32
VDDIO_2	P10, P11, P12, P13, P14, P15, P26, P27
VDDIO_3	P24, P25

### 3.4.1 Port nomenclature

Px.y describes a particular bit “y” available within an I/O port “x.”

For example, P4.2 reads “port 4, bit 2”.

Each I/O implements the following:

- Programmable drive mode
  - High impedance
  - Resistive pull-up
  - Resistive pull-down
  - Open drain with strong pull-down
  - Open drain with strong pull-up
  - Strong pull-up or pull-down
  - Weak pull-up or pull-down

CYT3BB/4BB has three types of programmable I/Os: GPIO Standard, GPIO Enhanced, and HSIO Standard.

### 3.4.2 GPIO Standard (GPIO\_STD)

Supports standard automotive signaling across the 2.7-V to 5.5-V  $V_{DDIO}$  range. GPIO Standard I/Os have multiple configurable drive levels, drive modes, and selectable input levels.

### 3.4.3 GPIO Enhanced (GPIO\_ENH)

Supports extended functionality automotive signaling across the 2.7-V to 5.5-V  $V_{DDIO}$  range with higher currents at lower voltages (full I<sup>2</sup>C timing support, slew-rate control).

Both GPIO\_STD and GPIO\_ENH implement the following:

- Configurable input threshold (CMOS, TTL, or Automotive)
- Hold mode for latching previous state (used for retaining the I/O state in DeepSleep mode)
- Analog input mode (input and output buffers disabled)

### 3.4.4 HSIO Standard (HSIO\_STD)

These I/Os are optimized exclusively for high-speed signaling and do not support slew-rate control, DeepSleep operation, POR mode control, analog connections, or non-CMOS signaling levels. HSIO\_STD supports high-speed peripherals such as QSPI, HYPERBUS™, Ethernet, and SDHC controller. HSIO\_STD also supports programmable drive strength. These I/Os are available only in Active mode and retain state in DeepSleep mode.

### 3.4.5 Smart I/O

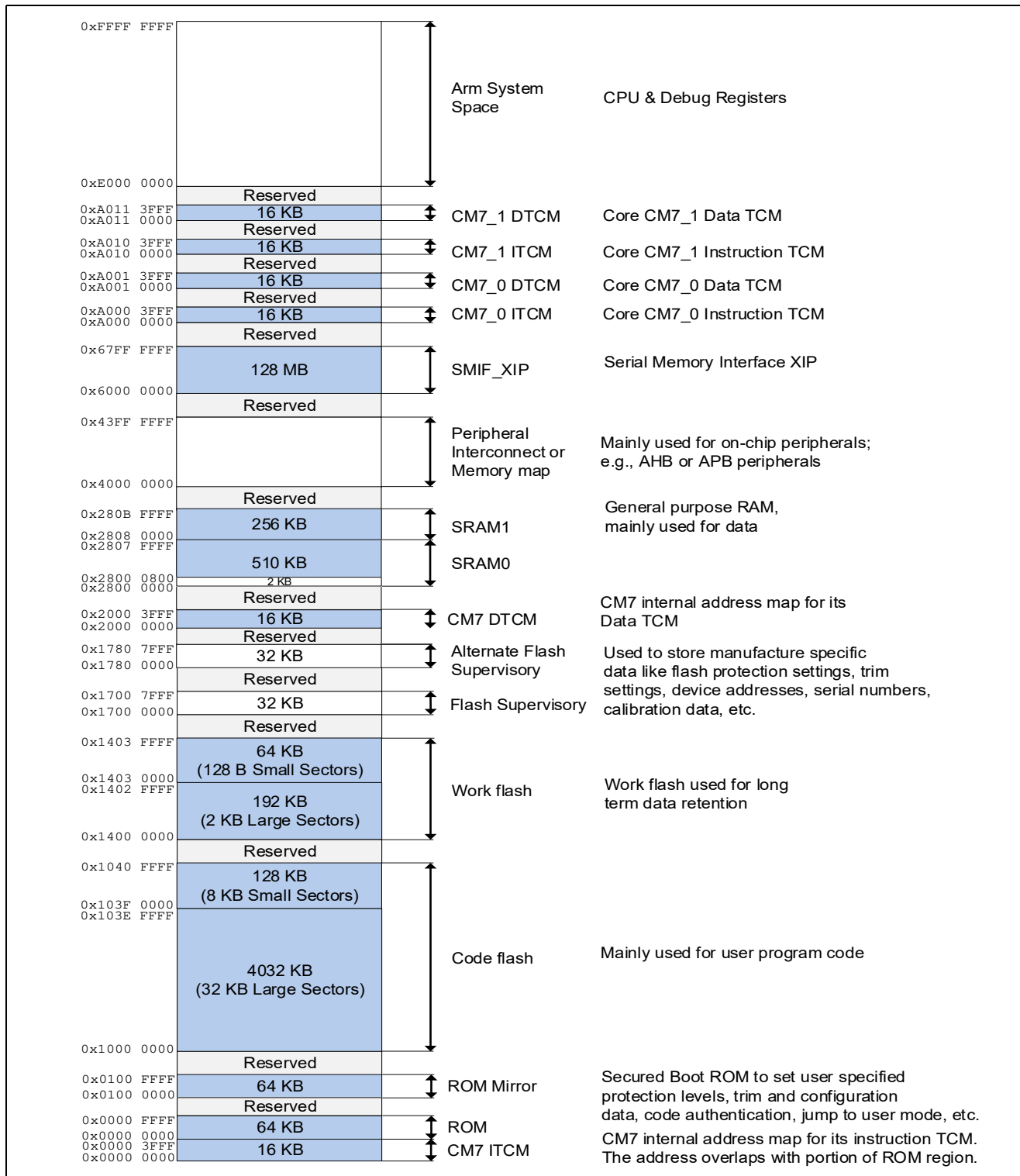
Smart I/O allows Boolean operations on signals going to the I/O from the subsystems of the chip or on signals coming into the chip. CYT3BB/4BB has five Smart I/O blocks. Operation can be synchronous or asynchronous and the blocks operate in all device power modes except for Hibernate.

## **4 CYT3BB/4BB address map**

The CYT3BB/4BB microcontroller supports the memory spaces shown in [Figure 4-1](#).

- 4160 KB (4032 KB + 128 KB) of code-flash, used in the single- or dual-bank mode based on the associated bit in the flash control register
  - Single-bank mode: 4160 KB
  - Dual-bank mode: 2080 KB per bank
- 256 KB (192 KB + 64 KB) of work-flash, used in the single- or dual-bank mode based on the associated bit in the flash control register
  - Single-bank mode: 256 KB
  - Dual-bank mode: 128 KB per bank
- 64 KB of secure ROM
- 768 KB of SRAM (First 2 KB is reserved for internal usage)
- 16 KB of Instruction TCM for each Cortex-M7 CPU
- 16 KB of Data TCM for each Cortex-M7 CPU
- 128 MB SMIF XIP

CYT3BB/4BB address map



**Figure 4-1** CYT3BB/4BB address map<sup>[17, 18]</sup>

**Notes**

17. The size representation is not up to scale.

18. First 2KB of SRAM is reserved, not available for users. User must keep the power of first 32KB block of SRAM0 in enabled or retained in all Active, LP Active, Sleep, LP Sleep, DeepSleep modes.

## 5 Flash base address map

**Table 5-1** through **Table 5-6** give information about the sector mapping of the code- and work-flash regions along with their respective base addresses.

**Table 5-1 Code-flash Address Mapping in Single-Bank Mode**

Code-flash Size (KB)	Large Sectors (LS)	Small Sectors (SS)	Large Sector Base Address	Small Sector Base Address
4160	32 KB × 126	8 KB × 16	0x1000 0000	0x103F 0000

**Table 5-2 Work-flash Address Mapping in Single-Bank Mode**

Work-flash Size (KB)	Large Sectors	Small Sectors	Large Sector Base Address	Small Sector Base Address
256	2 KB × 96	128 B × 512	0x1400 0000	0x1403 0000

**Table 5-3 Code-flash Address Mapping in Dual-Bank Mode (Mapping A)**

Code-flash Size (KB)	First Half LS	First Half SS	Second Half LS	Second Half SS	First Half LS Base Address	First Half SS Base Address	Second Half LS Base Address	Second Half SS Base Address
4160	32 KB × 63	8 KB × 8	32 KB × 63	8 KB × 8	0x1000 0000	0x101F 8000	0x1200 0000	0x121F 8000

**Table 5-4 Code-flash Address Mapping in Dual-Bank Mode (Mapping B)**

Code-flash Size (KB)	First Half LS	First Half SS	Second Half LS	Second Half SS	First Half LS Base Address	First Half SS Base Address	Second Half LS Base Address	Second Half SS Base Address
4160	32 KB × 63	8 KB × 8	32 KB × 63	8 KB × 8	0x1200 0000	0x121F 8000	0x1000 0000	0x101F 8000

**Table 5-5 Work-flash Address Mapping in Dual-Bank Mode (Mapping A)**

Work-flash Size (KB)	First Half LS	First Half SS	Second Half LS	Second Half SS	First Half LS Base Address	First Half SS Base Address	Second Half LS Base Address	Second Half SS Base Address
256	2 KB × 48	128 B × 256	2 KB × 48	128 B × 256	0x1400 0000	0x1401 8000	0x1500 0000	0x1501 8000

**Table 5-6 Work-flash Address Mapping in Dual-Bank Mode (Mapping B)**

Work-flash Size (KB)	First Half LS	First Half SS	Second Half LS	Second Half SS	First Half LS Base Address	First Half SS Base Address	Second Half LS Base Address	Second Half SS Base Address
256	2 KB × 48	128 B × 256	2 KB × 48	128 B × 256	0x1500 0000	0x1501 8000	0x1400 0000	0x1401 8000

## 6 Peripheral I/O map

**Table 6-1 CYT3BB/4BB peripheral I/O map**

Section	Description	Base Address	Instances	Instance Size	Group	Slave
PERI	Peripheral interconnect	0x4000 0000			0	0
	Peripheral group (0, 1, 2, 3, 4, 5, 6, 8, 9)	0x4000 4000	9	0x40		
	Peripheral trigger group	0x4000 8000	11	0x400		
	Peripheral 1:1 trigger group	0x4000 C000	11	0x400		
PERI_MS	Peripheral interconnect, master interface	0x4002 0000			0	1
	PERI Programmable PPU	0x4002 0000	10 <sup>[19]</sup>	0x40		
	PERI Fixed PPU	0x4002 0800	700	0x40		
PERI_PCLK	Peripheral Clock Groups	0x4004 0000	2	0x2000	0	2
CRYPTO	Cryptography component	0x4010 0000			1	0
CPUSS	CPU subsystem (CPUSS)	0x4020 0000			2	0
FAULT	Fault structure subsystem	0x4021 0000			2	1
	Fault structures	0x4021 0000	4	0x100		
IPC	Inter process communication	0x4022 0000			2	2
	IPC structures	0x4022 0000	8	0x20		
	IPC interrupt structures	0x4022 1000	8	0x20		
PROT	Protection	0x4023 0000			2	3
	Shared memory protection unit structures	0x4023 2000	16	0x40		
	Memory protection unit structures	0x4023 4000	16	0x400		
FLASHC	Flash controller	0x4024 0000			2	4
SRSS	System Resources Sub-System Core Registers	0x4026 0000			2	5
	Clock Supervision High Frequency	0x4026 1400	8	0x10		
	Clock Supervision Reference Frequency	0x4026 1710	1			
	Clock Supervision Low Frequency	0x4026 1720	1			
	Clock Supervision Internal Low Frequency	0x4026 1730	1			
	Clock PLL 400 MHz	0x4026 1900	2	0x10		
	Multi Counter WDT	0x4026 8000	3	0x100		
	Free Running WDT	0x4026 C000	1			
BACKUP	SRSS Backup Domain/RTC	0x4027 0000			2	6
	Backup Register	0x4027 1000	4	0x04		
P-DMA	P-DMA0 Controller	0x4028 0000			2	7
	P-DMA0 channel structures	0x4028 8000	100	0x40		
	P-DMA1 Controller	0x4029 0000			2	8
	P-DMA1 channel structures	0x4029 8000	58	0x40		
M-DMA	M-DMA0 Controller	0x402A 0000			2	9
	M-DMA0 channels	0x402A 1000	8	0x100		

**Note**

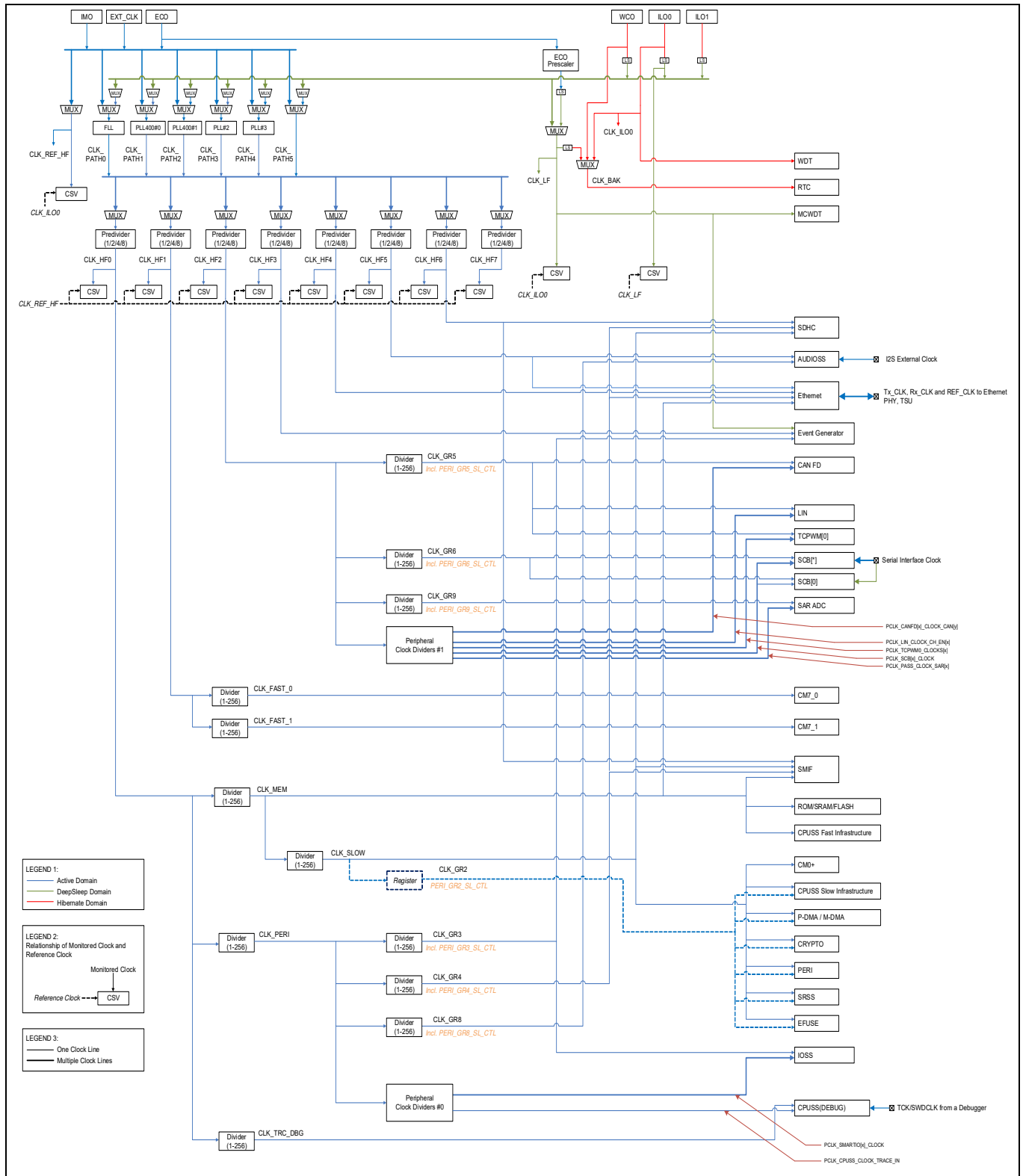
19. These Programmable PPU's are configured by the Boot ROM and are available for the user based on the access rights. Refer to the device-specific TRM to know more about the configuration of these programmable PPU's.



**Table 6-1** CYT3BB/4BB peripheral I/O map (continued)

Section	Description	Base Address	Instances	Instance Size	Group	Slave
eFUSE	eFUSE Customer Data (192 bits)	0x402C 0868	6	0x04	2	10
HSIOM	High-Speed I/O Matrix (HSIOM)	0x4030 0000	33	0x10	3	0
GPIO	GPIO port control/configuration	0x4031 0000	33	0x80	3	1
SMARTIO	Programmable I/O configuration	0x4032 0000			3	2
	SMARTIO port configuration	0x4032 0C00	5	0x100		
EVTGEN	Event generator 0 (EVTGEN0)	0x403F 0000			3	3
	Event generator 0 comparator structures	0x403F 0800	16	0x20		
SMIF	Serial Memory Interface 0 (SMIF0)	0x4042 0000			4	0
	SMIF0 Devices	0x4042 0800	1	0x80		
SDHC	Secure Digital High Capacity 0 (SDHC0)	0x4046 0000			4	1
	SDHC0 Wrap	0x4046 0000				
	SDHC0 Core	0x4046 1000				
ETH	Ethernet 0 (ETH0)	0x4048 0000	1	0x10000	4	2
LIN	Local Interconnect Network 0 (LIN0)	0x4050 0000			5	0
	LIN0 Channels	0x4050 8000	16	0x100		
TTCANFD	CAN0 controller	0x4052 0000	4	0x200	5	1
	Message RAM CAN0	0x4053 0000		0x7FFF		
	CAN1 controller	0x4054 0000	4	0x200	5	2
	Message RAM CAN1	0x4055 0000		0x7FFF		
TCPWM	Timer/Counter/PWM 0 (TCPWM0)	0x4058 0000			5	3
	TCPWM0 Group #0 (16-bit)	0x4058 0000	63	0x80		
	TCPWM0 Group #1 (16-bit, Motor control)	0x4058 8000	12	0x80		
	TCPWM0 Group #2 (32-bit)	0x4059 0000	8	0x80		
SCB	Serial Communications Block (SPI/UART/I <sup>2</sup> C)	0x4060 0000	11	0x10000	6	0-10
I <sup>2</sup> S	I <sup>2</sup> S Audio Subsystem	0x4080 0000	3	0x1000	8	0-2
SAR PASS	Programmable Analog Subsystem (PASS0)	0x4090 0000			9	0
	SAR0 channel controller	0x4090 0000				
	SAR1 channel controller	0x4090 1000				
	SAR2 channel controller	0x4090 2000				
	SAR0 channel structures	0x4090 0800	32	0x40		
	SAR1 channel structures	0x4090 1800	32	0x40		
	SAR2 channel structures	0x4090 2800	8	0x40		

## 7 CYT3BB/4BB clock diagram



**Figure 7-1** CYT3BB/4BB clock diagram

## 8 CYT3BB/4BB CPU start-up sequence

The start-up sequence is described in the following steps:

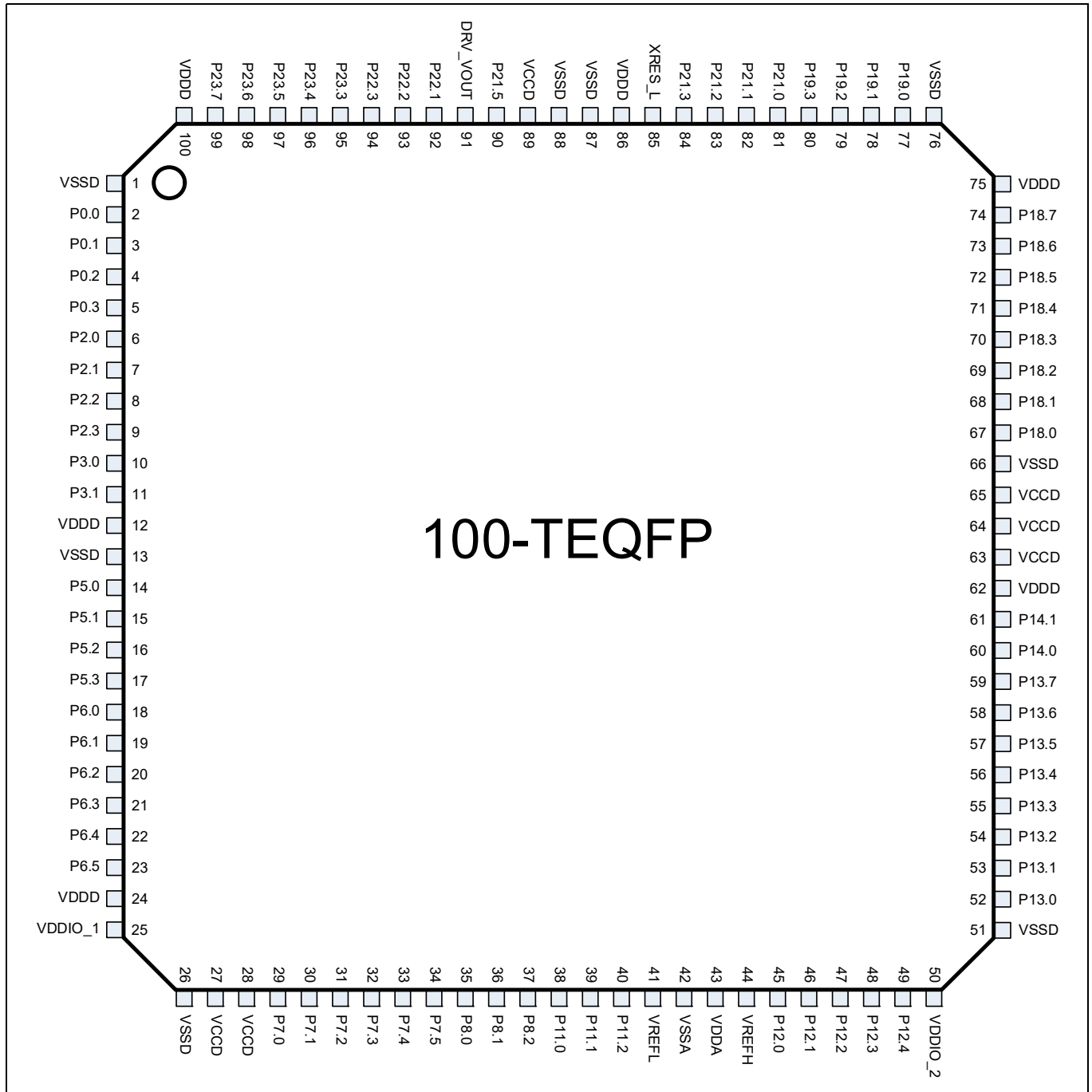
1. System Reset (@0x0000 0000)
2. CM0+ executes ROM boot (@0x0000 0004)
  - i. Applies trims
  - ii. Applies Debug Access port (DAP) access restrictions and system protection from eFuse and supervisory flash
  - iii. Authenticates flash boot (only in SECURE life-cycle stage) and transfers control to it
3. CM0+ executes flash boot (from Supervisory flash @0x1700 2000)
  - i. Debug pins are configured based on the SWD/JTAG spec<sup>[20]</sup>
  - ii. Sets CM0+ vector offset register (CM0\_VTOR part of the Arm® system space) to the beginning of flash (@0x1000 0000)
  - iii. CM0+ branches to its Reset handler
4. CM0+ starts execution of application
  - i. Moves CM0+ vector table to SRAM (updates CM0+ vector table base)
  - ii. Sets clocks for CM7\_0 (CLK\_HF1) and CM7\_1 (CLK\_HF2)
  - iii. Sets CM7\_0 (CM7\_0\_VECTOR\_TABLE\_BASE @0x4020 0200) and CM7\_1 (CM7\_1\_VECTOR\_TABLE\_BASE @0x4020 0600) vector tables to the respective locations, also and mentioned in flash (specified in the linker definition file)
  - iv. Enables the power for both the CPU cores CM7\_0 and CM7\_1
  - v. Disables CPU\_WAIT to allow accesses from the debugger
  - vi. Releases CM7\_0 and/or CM7\_1 from reset
  - vii. Continues execution of CM0+ user application
5. CM7\_0 and/or CM7\_1 executes directly from either code-flash or SRAM
  - i. CM7\_0/CM7\_1 branches to its Reset handler
  - ii. Continues execution of the user application

### Note

20. Port configuration of SWD/JTAG pins will be changed from the default GPIO mode to support debugging after the boot process, refer to [Table 11-1](#) for pin assignments.

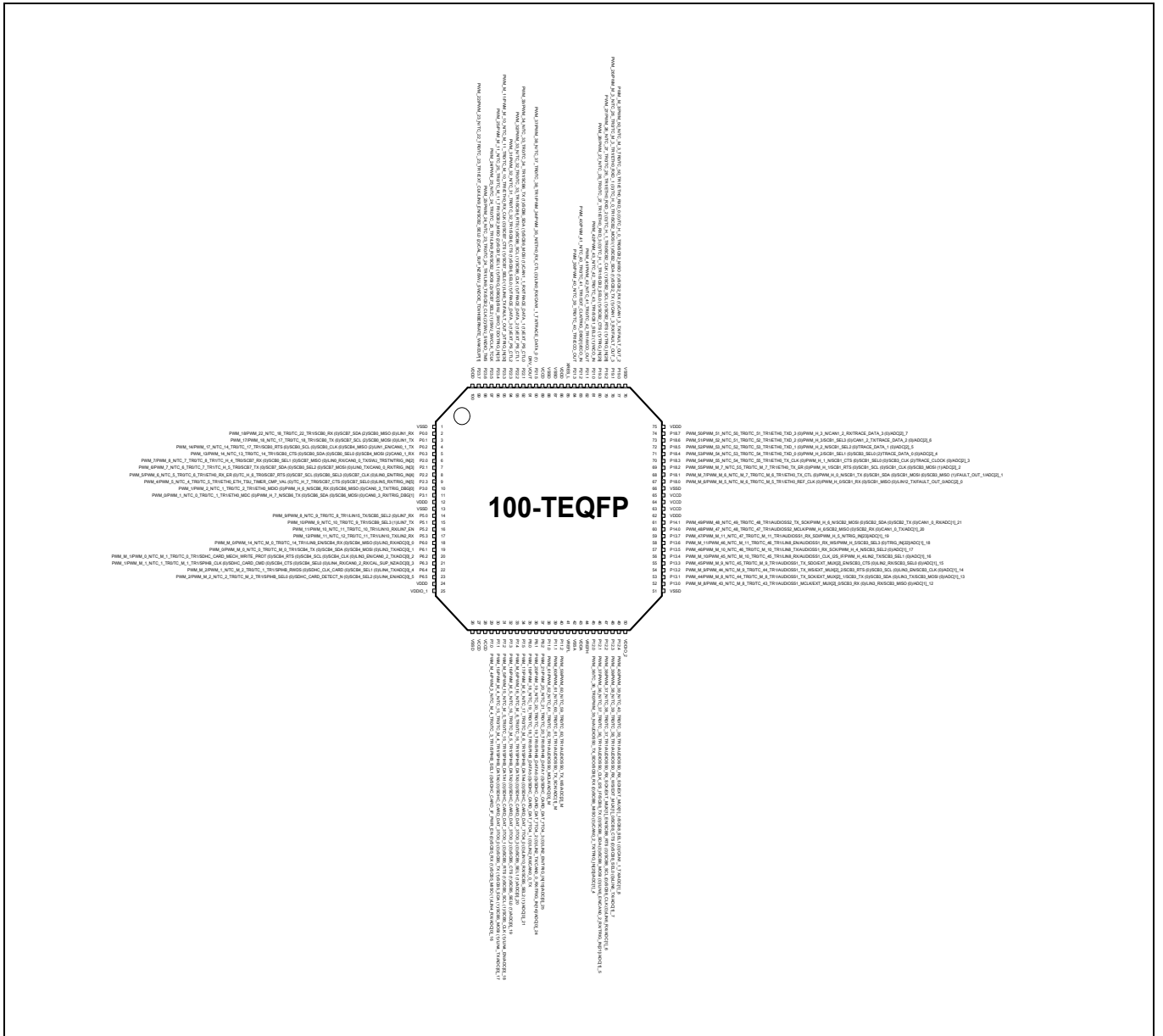
## 9 Pin assignment

**Note:** For all TEQFP packages, the thermal pad needs to be connected to VSSD.



**Figure 9-1 100-TEQFP pin assignment**

Pin assignment



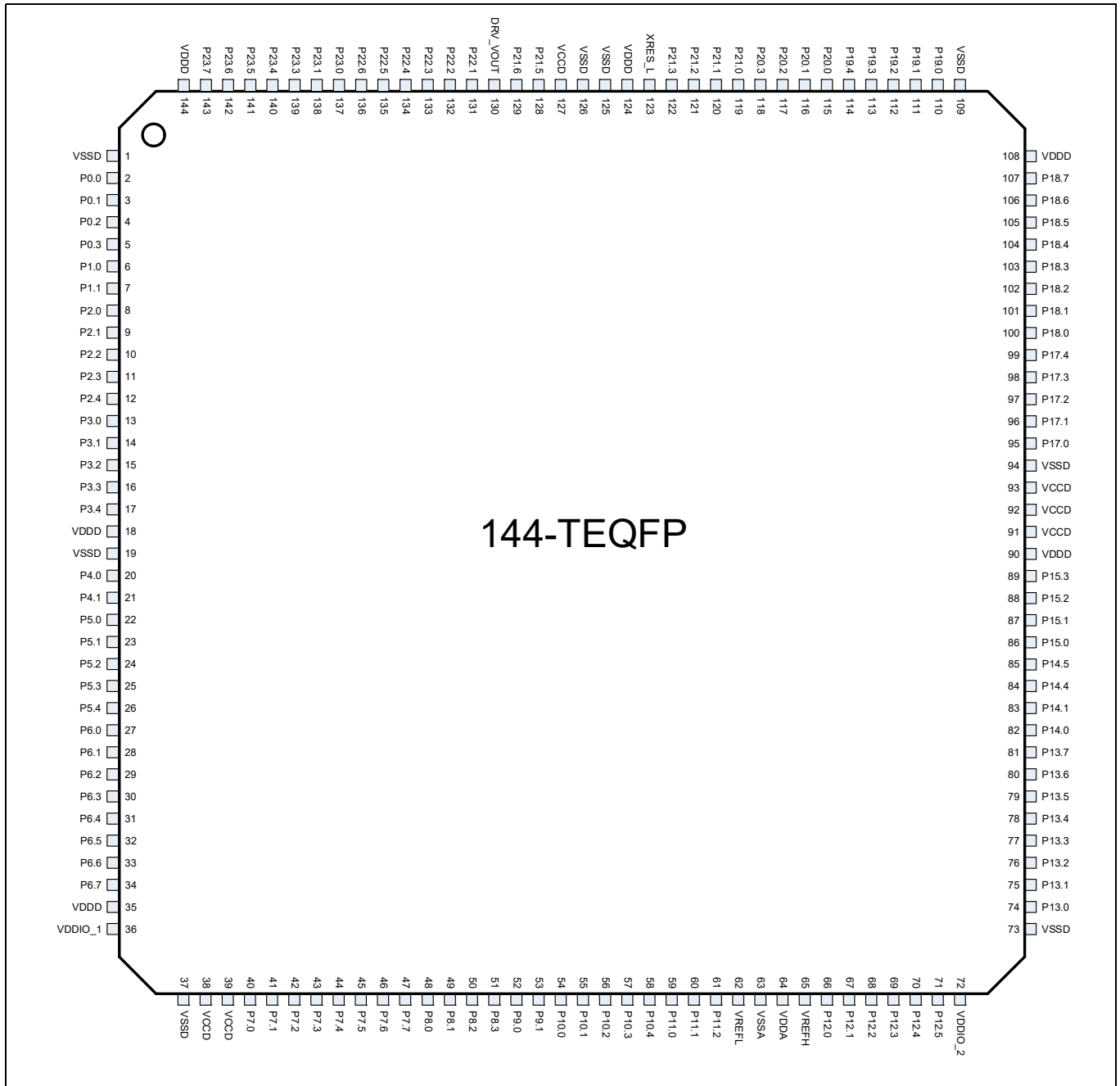
**Figure 9-2 100-TEQFP pin assignment with alternate functions**

# TRAVEO™ T2G 32-bit Automotive MCU

## Based on Arm® Cortex®-M7 single/dual



### Pin assignment



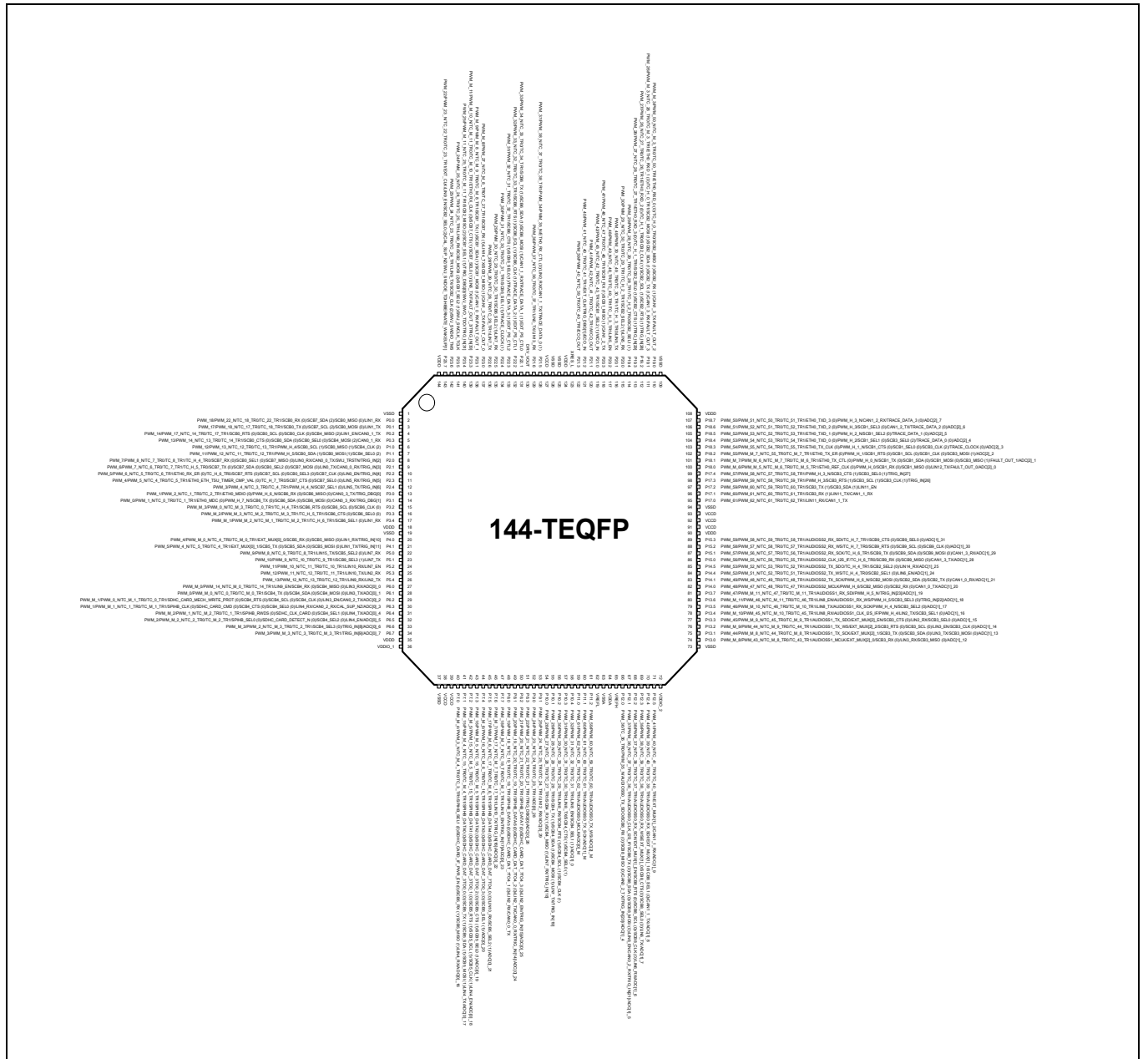
**Figure 9-3 144-TEQFP pin assignment**

# TRAVEO™ T2G 32-bit Automotive MCU

## Based on Arm® Cortex®-M7 single/dual



### Pin assignment



**Figure 9-4 144-TQFP pin assignment with alternate functions**

# TRAVEO™ T2G 32-bit Automotive MCU

## Based on Arm® Cortex®-M7 single/dual



### Pin assignment

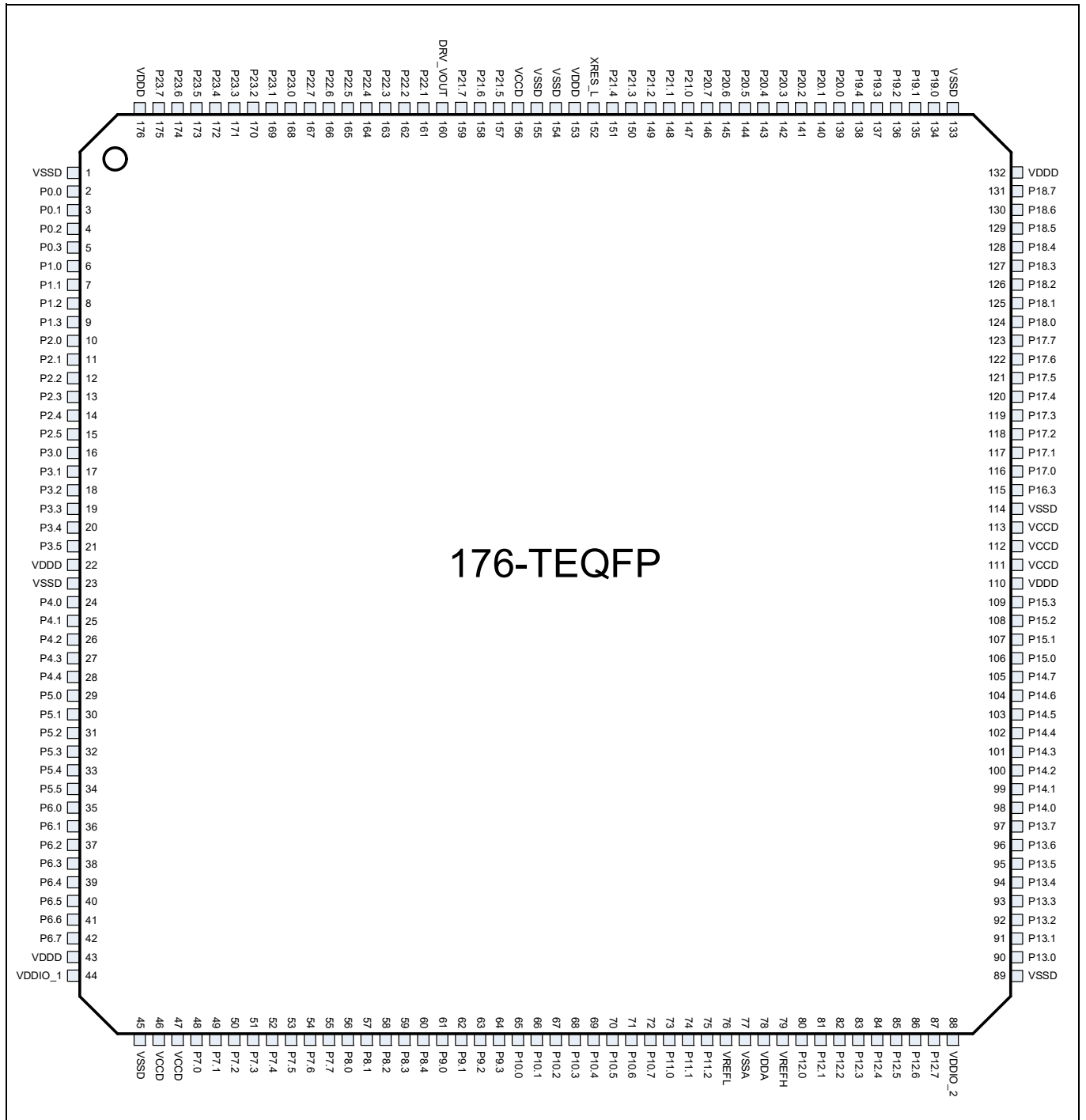


Figure 9-5 176-TEQFP pin assignment





Pin assignment

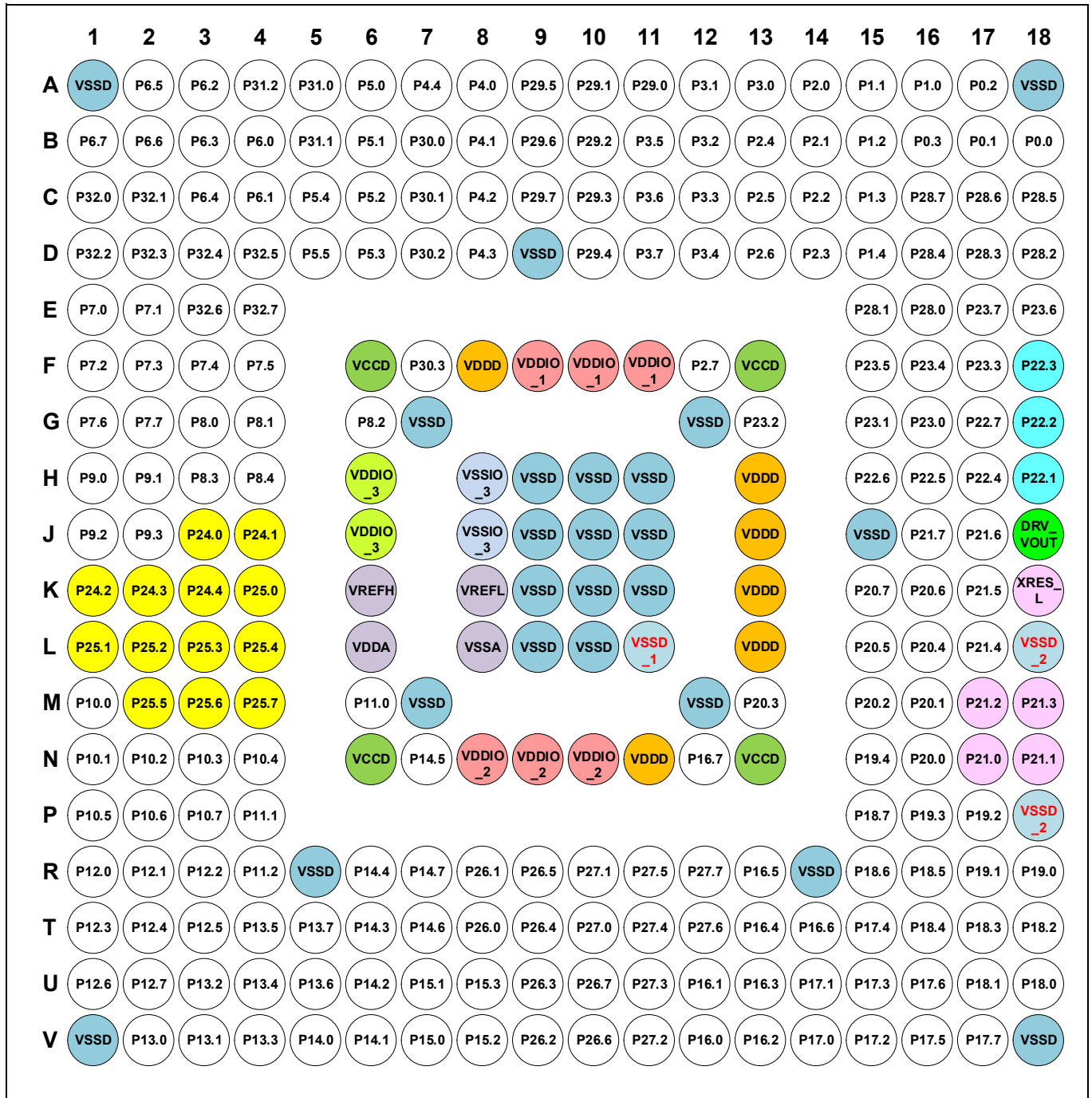


Figure 9-7 272-BGA ball map

## 10 High-speed I/O matrix connections

**Table 10-1 HSIOM connections reference**

Name	Number	Description
HSIOM_SEL_GPIO	0	GPIO controls 'out'
HSIOM_SEL_GPIO_DSI	1	Reserved
HSIOM_SEL_DSI_DSI	2	
HSIOM_SEL_DSI_GPIO	3	
HSIOM_SEL_AMUXA	4	
HSIOM_SEL_AMUXB	5	
HSIOM_SEL_AMUXA_DSI	6	
HSIOM_SEL_AMUXB_DSI	7	
HSIOM_SEL_ACT_0	8	
HSIOM_SEL_ACT_1	9	Active functionality 1
HSIOM_SEL_ACT_2	10	Active functionality 2
HSIOM_SEL_ACT_3	11	Active functionality 3
HSIOM_SEL_DS_0	12	DeepSleep functionality 0
HSIOM_SEL_DS_1	13	DeepSleep functionality 1
HSIOM_SEL_DS_2	14	DeepSleep functionality 2
HSIOM_SEL_DS_3	15	DeepSleep functionality 3
HSIOM_SEL_ACT_4	16	Active functionality 4
HSIOM_SEL_ACT_5	17	Active functionality 5
HSIOM_SEL_ACT_6	18	Active functionality 6
HSIOM_SEL_ACT_7	19	Active functionality 7
HSIOM_SEL_ACT_8	20	Active functionality 8
HSIOM_SEL_ACT_9	21	Active functionality 9
HSIOM_SEL_ACT_10	22	Active functionality 10
HSIOM_SEL_ACT_11	23	Active functionality 11
HSIOM_SEL_ACT_12	24	Active functionality 12
HSIOM_SEL_ACT_13	25	Active functionality 13
HSIOM_SEL_ACT_14	26	Active functionality 14
HSIOM_SEL_ACT_15	27	Active functionality 15
HSIOM_SEL_DS_4	28	DeepSleep functionality 4
HSIOM_SEL_DS_5	29	DeepSleep functionality 5
HSIOM_SEL_DS_6	30	DeepSleep functionality 6
HSIOM_SEL_DS_7	31	DeepSleep functionality 7

# 11 Package pin list and alternate functions

Most pins have alternate functionality, as specified in [Table 11-1](#).

Port 11 has the following additional features,

- Ability to pass full-level analog signals to the SAR without clipping to  $V_{DDIO}$  in cases where  $V_{DDIO} < V_{DDA}$
- Ability to simultaneously capture all three ADC signals with highest priority (ADC[0:2]\_M)
- Lower noise, for the most sensitive sensors

**Table 11-1 Pin selector and alternate pin functions in DeepSleep (DS) mode, Analog, Smart I/O** [24, 25]

Name	I/O type	Package				DeepSleep mapping			Analog	SMART I/O
	HCon#0 <sup>[21]</sup>	272-BGA	176-TEQFP	144-TEQFP	100-TEQFP	HCon#14	HCon#29	HCon#30		
		Pin	Pin	Pin	Pin	DS #0 <sup>[22, 23]</sup>	DS #1	DS #2		
P0.0	GPIO_ENH	B18	2	2	2			SCB0_MISO (0)		
P0.1	GPIO_ENH	B17	3	3	3			SCB0_MOSI (0)		
P0.2	GPIO_ENH	A17	4	4	4	SCB0_SCL (0)		SCB0_CLK (0)		
P0.3	GPIO_ENH	B16	5	5	5	SCB0_SDA (0)		SCB0_SEL0 (0)		
P1.0	GPIO_STD	A16	6	6	NA	SCB0_SCL (1)		SCB0_MISO (1)		
P1.1	GPIO_STD	A15	7	7	NA	SCB0_SDA (1)		SCB0_MOSI (1)		
P1.2	GPIO_STD	B15	8	NA	NA			SCB0_CLK (1)		
P1.3	GPIO_STD	C15	9	NA	NA			SCB0_SEL0 (1)		
P1.4	GPIO_STD	D15	NA	NA	NA					
P2.0	GPIO_STD	A14	10	8	6		SWJ_TRSTN	SCB0_SEL1 (0)		
P2.1	GPIO_STD	B14	11	9	7			SCB0_SEL2 (0)		
P2.2	GPIO_STD	C14	12	10	8			SCB0_SEL3 (0)		
P2.3	GPIO_STD	D14	13	11	9					
P2.4	GPIO_STD	B13	14	12	NA					
P2.5	GPIO_STD	C13	15	NA	NA					
P2.6	GPIO_STD	D13	NA	NA	NA					
P2.7	GPIO_STD	F12	NA	NA	NA					

**Notes**

- 21.HCon refers to High Speed I/O matrix connection reference as per [Table 10-1](#).
- 22.DeepSleep ordering (DS #0, DS #1, DS #2) does not have any impact on choosing any alternate functions; the HSIOM module handles the individual alternate function assignment.
- 23.All port pin functions available in DeepSleep mode are also available in Active mode.
- 24.Refer to [Table 13-2](#) for more information on pin multiplexer abbreviations used.
- 25.For any function marked with an identifier (n), the AC timing is only guaranteed within the respective group "n".



**Table 11-1 Pin selector and alternate pin functions in DeepSleep (DS) mode, Analog, Smart I/O** (continued)<sup>[24, 25]</sup>

Name	I/O type	Package				DeepSleep mapping			Analog	SMART I/O
	HCon#0 <sup>[21]</sup>	272-BGA	176-TEQFP	144-TEQFP	100-TEQFP	HCon#14	HCon#29	HCon#30		
		Pin	Pin	Pin	Pin	DS #0 <sup>[22, 23]</sup>	DS #1	DS #2		
P3.0	GPIO_STD	A13	16	13	10					
P3.1	GPIO_STD	A12	17	14	11					
P3.2	GPIO_STD	B12	18	15	NA					
P3.3	GPIO_STD	C12	19	16	NA					
P3.4	GPIO_STD	D12	20	17	NA					
P3.5	GPIO_STD	B11	21	NA	NA					
P3.6	GPIO_STD	C11	NA	NA	NA					
P3.7	GPIO_STD	D11	NA	NA	NA					
P4.0	GPIO_STD	A8	24	20	NA					
P4.1	GPIO_STD	B8	25	21	NA					
P4.2	GPIO_STD	C8	26	NA	NA					
P4.3	GPIO_STD	D8	27	NA	NA					
P4.4	GPIO_STD	A7	28	NA	NA					
P5.0	GPIO_STD	A6	29	22	14					
P5.1	GPIO_STD	B6	30	23	15					
P5.2	GPIO_STD	C6	31	24	16					
P5.3	GPIO_STD	D6	32	25	17					
P5.4	GPIO_STD	C5	33	26	NA					
P5.5	GPIO_STD	D5	34	NA	NA					
P6.0	GPIO_STD	B4	35	27	18				ADC[0]_0	
P6.1	GPIO_STD	C4	36	28	19				ADC[0]_1	
P6.2	GPIO_STD	A3	37	29	20				ADC[0]_2	
P6.3	GPIO_STD	B3	38	30	21				ADC[0]_3	
P6.4	GPIO_STD	C3	39	31	22				ADC[0]_4	
P6.5	GPIO_STD	A2	40	32	23				ADC[0]_5	
P6.6	GPIO_STD	B2	41	33	NA				ADC[0]_6	
P6.7	GPIO_STD	B1	42	34	NA				ADC[0]_7	
P7.0	GPIO_STD	E1	48	40	29				ADC[0]_16	
P7.1	GPIO_STD	E2	49	41	30				ADC[0]_17	
P7.2	GPIO_STD	F1	50	42	31				ADC[0]_18	
P7.3	GPIO_STD	F2	51	43	32				ADC[0]_19	

**Table 11-1 Pin selector and alternate pin functions in DeepSleep (DS) mode, Analog, Smart I/O** (continued)<sup>[24, 25]</sup>

Name	I/O type	Package				DeepSleep mapping			Analog	SMART I/O
	HCon#0 <sup>[21]</sup>	272-BGA	176-TEQFP	144-TEQFP	100-TEQFP	HCon#14	HCon#29	HCon#30		
		Pin	Pin	Pin	Pin	DS #0 <sup>[22, 23]</sup>	DS #1	DS #2		
P7.4	GPIO_STD	F3	52	44	33				ADC[0]_20	
P7.5	GPIO_STD	F4	53	45	34				ADC[0]_21	
P7.6	GPIO_STD	G1	54	46	NA				ADC[0]_22	
P7.7	GPIO_STD	G2	55	47	NA				ADC[0]_23	
P8.0	GPIO_STD	G3	56	48	35					
P8.1	GPIO_STD	G4	57	49	36				ADC[0]_24	
P8.2	GPIO_STD	G6	58	50	37				ADC[0]_25	
P8.3	GPIO_STD	H3	59	51	NA				ADC[0]_26	
P8.4	GPIO_STD	H4	60	NA	NA				ADC[0]_27	
P9.0	GPIO_STD	H1	61	52	NA				ADC[0]_28	
P9.1	GPIO_STD	H2	62	53	NA				ADC[0]_29	
P9.2	GPIO_STD	J1	63	NA	NA				ADC[0]_30	
P9.3	GPIO_STD	J2	64	NA	NA				ADC[0]_31	
P10.0	GPIO_STD	M1	65	54	NA					
P10.1	GPIO_STD	N1	66	55	NA					
P10.2	GPIO_STD	N2	67	56	NA					
P10.3	GPIO_STD	N3	68	57	NA					
P10.4	GPIO_STD	N4	69	58	NA				ADC[1]_0	
P10.5	GPIO_STD	P1	70	NA	NA				ADC[1]_1	
P10.6	GPIO_STD	P2	71	NA	NA				ADC[1]_2	
P10.7	GPIO_STD	P3	72	NA	NA				ADC[1]_3	
P11.0	GPIO_STD	M6	73	59	38				ADC[0]_M	
P11.1	GPIO_STD	P4	74	60	39				ADC[1]_M	
P11.2	GPIO_STD	R4	75	61	40				ADC[2]_M	
P12.0	GPIO_STD	R1	80	66	45				ADC[1]_4	SMARTIO12_0
P12.1	GPIO_STD	R2	81	67	46				ADC[1]_5	SMARTIO12_1
P12.2	GPIO_STD	R3	82	68	47				ADC[1]_6	SMARTIO12_2
P12.3	GPIO_STD	T1	83	69	48				ADC[1]_7	SMARTIO12_3
P12.4	GPIO_STD	T2	84	70	49				ADC[1]_8	SMARTIO12_4
P12.5	GPIO_STD	T3	85	71	NA				ADC[1]_9	SMARTIO12_5
P12.6	GPIO_STD	U1	86	NA	NA				ADC[1]_10	SMARTIO12_6

**Table 11-1 Pin selector and alternate pin functions in DeepSleep (DS) mode, Analog, Smart I/O (continued)**<sup>[24, 25]</sup>

Name	I/O type	Package				DeepSleep mapping			Analog	SMART I/O
	HCon#0 <sup>[21]</sup>	272-BGA	176-TEQFP	144-TEQFP	100-TEQFP	HCon#14	HCon#29	HCon#30		
		Pin	Pin	Pin	Pin	DS #0 <sup>[22, 23]</sup>	DS #1	DS #2		
P12.7	GPIO_STD	U2	87	NA	NA				ADC[1]_11	SMARTIO12_7
P13.0	GPIO_STD	V2	90	74	52				ADC[1]_12	SMARTIO13_0
P13.1	GPIO_STD	V3	91	75	53				ADC[1]_13	SMARTIO13_1
P13.2	GPIO_STD	U3	92	76	54				ADC[1]_14	SMARTIO13_2
P13.3	GPIO_STD	V4	93	77	55				ADC[1]_15	SMARTIO13_3
P13.4	GPIO_STD	U4	94	78	56				ADC[1]_16	SMARTIO13_4
P13.5	GPIO_STD	T4	95	79	57				ADC[1]_17	SMARTIO13_5
P13.6	GPIO_STD	U5	96	80	58				ADC[1]_18	SMARTIO13_6
P13.7	GPIO_STD	T5	97	81	59				ADC[1]_19	SMARTIO13_7
P14.0	GPIO_STD	V5	98	82	60				ADC[1]_20	SMARTIO14_0
P14.1	GPIO_STD	V6	99	83	61				ADC[1]_21	SMARTIO14_1
P14.2	GPIO_STD	U6	100	NA	NA				ADC[1]_22	SMARTIO14_2
P14.3	GPIO_STD	T6	101	NA	NA				ADC[1]_23	SMARTIO14_3
P14.4	GPIO_STD	R6	102	84	NA				ADC[1]_24	SMARTIO14_4
P14.5	GPIO_STD	N7	103	85	NA				ADC[1]_25	SMARTIO14_5
P14.6	GPIO_STD	T7	104	NA	NA				ADC[1]_26	SMARTIO14_6
P14.7	GPIO_STD	R7	105	NA	NA				ADC[1]_27	SMARTIO14_7
P15.0	GPIO_STD	V7	106	86	NA				ADC[1]_28	SMARTIO15_0
P15.1	GPIO_STD	U7	107	87	NA				ADC[1]_29	SMARTIO15_1
P15.2	GPIO_STD	V8	108	88	NA				ADC[1]_30	SMARTIO15_2
P15.3	GPIO_STD	U8	109	89	NA				ADC[1]_31	SMARTIO15_3
P16.0	GPIO_STD	V12	NA	NA	NA					
P16.1	GPIO_STD	U12	NA	NA	NA					
P16.2	GPIO_STD	V13	NA	NA	NA					
P16.3	GPIO_STD	U13	115	NA	NA					
P16.4	GPIO_STD	T13	NA	NA	NA					
P16.5	GPIO_STD	R13	NA	NA	NA					
P16.6	GPIO_STD	T14	NA	NA	NA					
P16.7	GPIO_STD	N12	NA	NA	NA					
P17.0	GPIO_STD	V14	116	95	NA					SMARTIO17_0
P17.1	GPIO_STD	U14	117	96	NA					SMARTIO17_1



**Table 11-1 Pin selector and alternate pin functions in DeepSleep (DS) mode, Analog, Smart I/O** (continued)<sup>[24, 25]</sup>

Name	I/O type	Package				DeepSleep mapping			Analog	SMART I/O	
		HCon#0 <sup>[21]</sup>	272-BGA	176-TEQFP	144-TEQFP	100-TEQFP	HCon#14	HCon#29			HCon#30
			Pin	Pin	Pin	Pin	DS #0 <sup>[22, 23]</sup>	DS #1			DS #2
P17.2	GPIO_STD	V15	118	97	NA					SMARTIO17_2	
P17.3	GPIO_STD	U15	119	98	NA					SMARTIO17_3	
P17.4	GPIO_STD	T15	120	99	NA					SMARTIO17_4	
P17.5	GPIO_STD	V16	121	NA	NA					SMARTIO17_5	
P17.6	GPIO_STD	U16	122	NA	NA					SMARTIO17_6	
P17.7	GPIO_STD	V17	123	NA	NA					SMARTIO17_7	
P18.0	GPIO_STD	U18	124	100	67				ADC[2]_0		
P18.1	GPIO_STD	U17	125	101	68				ADC[2]_1		
P18.2	GPIO_STD	T18	126	102	69				ADC[2]_2		
P18.3	GPIO_STD	T17	127	103	70				ADC[2]_3		
P18.4	GPIO_STD	T16	128	104	71				ADC[2]_4		
P18.5	GPIO_STD	R16	129	105	72				ADC[2]_5		
P18.6	GPIO_STD	R15	130	106	73				ADC[2]_6		
P18.7	GPIO_STD	P15	131	107	74				ADC[2]_7		
P19.0	GPIO_STD	R18	134	110	77						
P19.1	GPIO_STD	R17	135	111	78						
P19.2	GPIO_STD	P17	136	112	79						
P19.3	GPIO_STD	P16	137	113	80						
P19.4	GPIO_STD	N15	138	114	NA						
P20.0	GPIO_STD	N16	139	115	NA						
P20.1	GPIO_STD	M16	140	116	NA						
P20.2	GPIO_STD	M15	141	117	NA						
P20.3	GPIO_STD	M13	142	118	NA						
P20.4	GPIO_STD	L16	143	NA	NA						
P20.5	GPIO_STD	L15	144	NA	NA						
P20.6	GPIO_STD	K16	145	NA	NA						
P20.7	GPIO_STD	K15	146	NA	NA						
P21.0	GPIO_STD	N17	147	119	81				WCO_IN <sup>[26]</sup>		
P21.1	GPIO_STD	N18	148	120	82				WCO_OUT <sup>[26]</sup>		
P21.2	GPIO_STD	M17	149	121	83				ECO_IN <sup>[26]</sup>		
P21.3	GPIO_STD	M18	150	122	84				ECO_OUT <sup>[26]</sup>		





**Table 11-1 Pin selector and alternate pin functions in DeepSleep (DS) mode, Analog, Smart I/O (continued)<sup>[24, 25]</sup>**

Name	I/O type	Package				DeepSleep mapping			Analog	SMART I/O
	HCon#0 <sup>[21]</sup>	272-BGA	176-TEQFP	144-TEQFP	100-TEQFP	HCon#14	HCon#29	HCon#30		
		Pin	Pin	Pin	Pin	DS #0 <sup>[22, 23]</sup>	DS #1	DS #2		
P21.4 <sup>[27]</sup>	GPIO_STD	L17	151	NA	NA				HIBERNATE_WAKEUP[0]	
P21.5	GPIO_STD	K17	157	128	90					
P21.6	GPIO_STD	J17	158	129	NA					
P21.7	GPIO_STD	J16	159	NA	NA		RTC_CAL			
P22.1	GPIO_STD	H18	161	131	92				EXT_PS_CTL0	
P22.2	GPIO_STD	G18	162	132	93				EXT_PS_CTL1	
P22.3	GPIO_STD	F18	163	133	94				EXT_PS_CTL2	
P22.4	GPIO_STD	H17	164	134	NA					
P22.5	GPIO_STD	H16	165	135	NA					
P22.6	GPIO_STD	H15	166	136	NA					
P22.7	GPIO_STD	G17	167	NA	NA					
P23.0	GPIO_STD	G16	168	137	NA					
P23.1	GPIO_STD	G15	169	138	NA					
P23.2	GPIO_STD	G13	170	NA	NA					
P23.3	GPIO_STD	F17	171	139	95					
P23.4	GPIO_STD	F16	172	140	96		SWJ_SWO_TDO			
P23.5	GPIO_STD	F15	173	141	97		SWJ_SWCLK_TCLK			
P23.6	GPIO_STD	E18	174	142	98		SWJ_SWDIO_TMS			
P23.7	GPIO_STD	E17	175	143	99		SWJ_SWDOE_TDI		HIBERNATE_WAKEUP[1]	
P24.0	HSIO_STD	J3	NA	NA	NA					
P24.1	HSIO_STD	J4	NA	NA	NA					
P24.2	HSIO_STD	K1	NA	NA	NA					
P24.3	HSIO_STD	K2	NA	NA	NA					
P24.4	HSIO_STD	K3	NA	NA	NA					
P25.0	HSIO_STD	K4	NA	NA	NA					
P25.1	HSIO_STD	L1	NA	NA	NA					
P25.2	HSIO_STD	L2	NA	NA	NA					
P25.3	HSIO_STD	L3	NA	NA	NA					

**Notes**

- 26.I/O pins that support an oscillator function (WCO or ECO) must be configured for high-impedance if the oscillator is enabled.
- 27.This I/O has increased leakage to ground when the V<sub>DD</sub> supply is below the POR threshold.



**Table 11-1 Pin selector and alternate pin functions in DeepSleep (DS) mode, Analog, Smart I/O** (continued)<sup>[24, 25]</sup>

Name	I/O type	Package				DeepSleep mapping			Analog	SMART I/O
	HCon#0 <sup>[21]</sup>	272-BGA	176-TEQFP	144-TEQFP	100-TEQFP	HCon#14	HCon#29	HCon#30		
		Pin	Pin	Pin	Pin	DS #0 <sup>[22, 23]</sup>	DS #1	DS #2		
P25.4	HSIO_STD	L4	NA	NA	NA					
P25.5	HSIO_STD	M2	NA	NA	NA					
P25.6	HSIO_STD	M3	NA	NA	NA					
P25.7	HSIO_STD	M4	NA	NA	NA					
P26.0	GPIO_STD	T8	NA	NA	NA					
P26.1	GPIO_STD	R8	NA	NA	NA					
P26.2	GPIO_STD	V9	NA	NA	NA					
P26.3	GPIO_STD	U9	NA	NA	NA					
P26.4	GPIO_STD	T9	NA	NA	NA					
P26.5	GPIO_STD	R9	NA	NA	NA					
P26.6	GPIO_STD	V10	NA	NA	NA					
P26.7	GPIO_STD	U10	NA	NA	NA					
P27.0	GPIO_STD	T10	NA	NA	NA					
P27.1	GPIO_STD	R10	NA	NA	NA					
P27.2	GPIO_STD	V11	NA	NA	NA					
P27.3	GPIO_STD	U11	NA	NA	NA					
P27.4	GPIO_STD	T11	NA	NA	NA					
P27.5	GPIO_STD	R11	NA	NA	NA					
P27.6	GPIO_STD	T12	NA	NA	NA					
P27.7	GPIO_STD	R12	NA	NA	NA					
P28.0	GPIO_STD	E16	NA	NA	NA					
P28.1	GPIO_STD	E15	NA	NA	NA					
P28.2	GPIO_STD	D18	NA	NA	NA					
P28.3	GPIO_STD	D17	NA	NA	NA					
P28.4	GPIO_STD	D16	NA	NA	NA					
P28.5	GPIO_STD	C18	NA	NA	NA					
P28.6	GPIO_STD	C17	NA	NA	NA					
P28.7	GPIO_STD	C16	NA	NA	NA					
P29.0	GPIO_STD	A11	NA	NA	NA					
P29.1	GPIO_STD	A10	NA	NA	NA					
P29.2	GPIO_STD	B10	NA	NA	NA					

**Table 11-1 Pin selector and alternate pin functions in DeepSleep (DS) mode, Analog, Smart I/O** (continued)<sup>[24, 25]</sup>

Name	I/O type	Package				DeepSleep mapping			Analog	SMART I/O
	HCon#0 <sup>[21]</sup>	272-BGA	176-TEQFP	144-TEQFP	100-TEQFP	HCon#14	HCon#29	HCon#30		
		Pin	Pin	Pin	Pin	DS #0 <sup>[22, 23]</sup>	DS #1	DS #2		
P29.3	GPIO_STD	C10	NA	NA	NA					
P29.4	GPIO_STD	D10	NA	NA	NA					
P29.5	GPIO_STD	A9	NA	NA	NA					
P29.6	GPIO_STD	B9	NA	NA	NA					
P29.7	GPIO_STD	C9	NA	NA	NA					
P30.0	GPIO_STD	B7	NA	NA	NA					
P30.1	GPIO_STD	C7	NA	NA	NA					
P30.2	GPIO_STD	D7	NA	NA	NA					
P30.3	GPIO_STD	F7	NA	NA	NA					
P31.0	GPIO_STD	A5	NA	NA	NA					
P31.1	GPIO_STD	B5	NA	NA	NA					
P31.2	GPIO_STD	A4	NA	NA	NA					
P32.0	GPIO_STD	C1	NA	NA	NA				ADC[0]_8	
P32.1	GPIO_STD	C2	NA	NA	NA				ADC[0]_9	
P32.2	GPIO_STD	D1	NA	NA	NA				ADC[0]_10	
P32.3	GPIO_STD	D2	NA	NA	NA				ADC[0]_11	
P32.4	GPIO_STD	D3	NA	NA	NA				ADC[0]_12	
P32.5	GPIO_STD	D4	NA	NA	NA				ADC[0]_13	
P32.6	GPIO_STD	E3	NA	NA	NA				ADC[0]_14	
P32.7	GPIO_STD	E4	NA	NA	NA				ADC[0]_15	



## 12 Power pin assignments

**Table 12-1 Power pin assignments**

Power pin name	Package				Remarks
	272-BGA	176-TEQFP	144-TEQFP	100-TEQFP	
VDDD	F8, H13, J13, K13, L13, N11	22, 43, 110, 132, 153, 176	18, 35, 90, 108, 124, 144	12, 24, 62, 75, 86, 100	Main digital supply
VSSD	A1, A18, D9, G7, G12, H9, H10, H11, J9, J10, J11, J15, K9, K10, K11, M7, M12, R5, R14, V1, V18, L9, L10	1, 23, 45, 89, 114, 133, 154, 155	1, 19, 37, 73, 94, 109, 125, 126	1, 13, 26, 51, 66, 76, 87, 88	Main digital ground
VSSD_1	L11	NA	NA	NA	Digital ground
VSSD_2	L18, P18	NA	NA	NA	Noise guard for ECO inputs
VDDIO_1	F9, F10, F11	44	36	25	I/O supply (except analog I/Os on VDDA)
VDDIO_2	N8, N9, N10	88	72	50	I/O supply (except analog I/Os on VDDA)
VDDIO_3	H6, J6	NA	NA	NA	I/O supply for high speed domain#0 (HSIO_STD), P24, P25
VSSIO_3	H8, J8	NA	NA	NA	HSIO ground
VCCD <sup>[28]</sup>	F6, F13, N6, N13	46, 47, 111, 112, 113, 156	38, 39, 91, 92, 93, 127	27, 28, 63, 64, 65, 89	Main regulated supply. Driven by LDO regulator (either internal LDO or external LDO/PMIC)
VREFH	K6	79	65	44	High-reference voltage for SAR ADCs
VREFL	K8	76	62	41	Low-reference voltage for SAR ADCs
VDDA	L6	78	64	43	Main analog supply for SAR ADCs
VSSA	L8	77	63	42	Main analog ground
XRES_L	K18	152	123	85	Active LOW external reset input
DRV_VOUT	J18	160	130	91	Dedicated external supply control pin

**Note**

28.The V<sub>CCD</sub> pins must be connected together to ensure a low-impedance connection. (see the requirement in [Figure 26-2](#))

# 13 Alternate function pin assignments

**Table 13-1** Alternate pin functions in active mode [23, 31, 32]

Port pin	Active mapping															
	HCon#8 <sup>[29]</sup>	HCon#9	HCon#10	HCon#11	HCon#16	HCon#17	HCon#18	HCon#19	HCon#20	HCon#21	HCon#22	HCon#23	HCon#24	HCon#25	HCon#26	HCon#27
	ACT #0 <sup>[30]</sup>	ACT #1	ACT #2	ACT #3	ACT #4	ACT #5	ACT #6	ACT #7	ACT #8	ACT #9	ACT #10	ACT #11	ACT #12	ACT #13	ACT #14	ACT #15
P0.0	PWM0_18	PWM0_22_N	TC0_18_TR0	TC0_22_TR1		SCB0_RX (0)	SCB7_SDA (2)		LIN1_RX							
P0.1	PWM0_17	PWM0_18_N	TC0_17_TR0	TC0_18_TR1		SCB0_TX (0)	SCB7_SCL (2)		LIN1_TX							
P0.2	PWM0_14	PWM0_17_N	TC0_14_TR0	TC0_17_TR1		SCB0_RTS (0)		SCB4_MISO (2)	LIN1_EN	CAN0_1_TX						
P0.3	PWM0_13	PWM0_14_N	TC0_13_TR0	TC0_14_TR1		SCB0_CTS (0)		SCB4_MOSI (2)		CAN0_1_RX						
P1.0	PWM0_12	PWM0_13_N	TC0_12_TR0	TC0_13_TR1	PWM0_H_4			SCB4_CLK (2)								
P1.1	PWM0_11	PWM0_12_N	TC0_11_TR0	TC0_12_TR1	PWM0_H_5			SCB4_SEL0 (2)								
P1.2	PWM0_10	PWM0_11_N	TC0_10_TR0	TC0_11_TR1	PWM0_H_6				LIN0_RX							TRIG_IN[0]
P1.3	PWM0_8	PWM0_10_N	TC0_8_TR0	TC0_10_TR1	PWM0_H_7				LIN0_TX							TRIG_IN[1]
P1.4											LIN8_RX					
P2.0	PWM0_7	PWM0_8_N	TC0_7_TR0	TC0_8_TR1	TC0_H_4_TR0	SCB7_RX (0)		SCB7_MISO (0)	LIN0_RX	CAN0_0_TX						TRIG_IN[2]
P2.1	PWM0_6	PWM0_7_N	TC0_6_TR0	TC0_7_TR1	TC0_H_5_TR0	SCB7_TX (0)	SCB7_SDA (0)	SCB7_MOSI (0)	LIN0_TX	CAN0_0_RX						TRIG_IN[3]
P2.2	PWM0_5	PWM0_6_N	TC0_5_TR0	TC0_6_TR1	TC0_H_6_TR0	SCB7_RTS (0)	SCB7_SCL (0)	SCB7_CLK (0)	LIN0_EN				ETH0_RX_ER (0)			TRIG_IN[4]
P2.3	PWM0_4	PWM0_5_N	TC0_4_TR0	TC0_5_TR1	TC0_H_7_TR0	SCB7_CTS (0)		SCB7_SEL0 (0)	LIN5_RX				ETH0_ETH_TSU - TIMER_CMP_VAL (0)			TRIG_IN[5]
P2.4	PWM0_3	PWM0_4_N	TC0_3_TR0	TC0_4_TR1	PWM0_H_4_N			SCB7_SEL1 (0)	LIN5_TX							TRIG_IN[6]
P2.5	PWM0_2	PWM0_3_N	TC0_2_TR0	TC0_3_TR1	PWM0_H_5_N			SCB7_SEL2 (0)	LIN5_EN							TRIG_IN[7]
P2.6																
P2.7									LIN11_RX							
P3.0	PWM0_1	PWM0_2_N	TC0_1_TR0	TC0_2_TR1	PWM0_H_6_N	SCB6_RX (0)		SCB6_MISO (0)		CAN0_3_TX			ETH0_MDIO (0)			TRIG_DBG[0]
P3.1	PWM0_0	PWM0_1_N	TC0_0_TR0	TC0_1_TR1	PWM0_H_7_N	SCB6_TX (0)	SCB6_SDA (0)	SCB6_MOSI (0)		CAN0_3_RX			ETH0_MDC (0)			TRIG_DBG[1]
P3.2	PWM0_M_3	PWM0_0_N	TC0_M_3_TR0	TC0_0_TR1	TC0_H_4_TR1	SCB6_RTS (0)	SCB6_SCL (0)	SCB6_CLK (0)								
P3.3	PWM0_M_2	PWM0_M_3_N	TC0_M_2_TR0	TC0_M_3_TR1	TC0_H_5_TR1	SCB6_CTS (0)		SCB6_SEL0 (0)								
P3.4	PWM0_M_1	PWM0_M_2_N	TC0_M_1_TR0	TC0_M_2_TR1	TC0_H_6_TR1			SCB6_SEL1 (0)	LIN1_RX							
P3.5	PWM0_M_0	PWM0_M_1_N	TC0_M_0_TR0	TC0_M_1_TR1	TC0_H_7_TR1			SCB6_SEL2 (0)	LIN1_TX							

**Notes**

- 29.High Speed I/O matrix connection (HCon) reference as per [Table 10-1](#).
- 30.Active Mode ordering (ACT #0, ACT #1, and so on) does not have any impact on configuring alternate functions; the HSIOM module handles the alternate function assignments.
- 31.Refer to [Table 13-2](#) for more information on pin multiplexer abbreviations used.
- 32.For any function marked with an identifier (n), the AC timing is only guaranteed within the respective group "n".





**Table 13-1** Alternate pin functions in active mode (continued)<sup>[23, 31, 32]</sup>

Port pin	Active mapping															
	HCon#8 <sup>[29]</sup>	HCon#9	HCon#10	HCon#11	HCon#16	HCon#17	HCon#18	HCon#19	HCon#20	HCon#21	HCon#22	HCon#23	HCon#24	HCon#25	HCon#26	HCon#27
	ACT #0 <sup>[30]</sup>	ACT #1	ACT #2	ACT #3	ACT #4	ACT #5	ACT #6	ACT #7	ACT #8	ACT #9	ACT #10	ACT #11	ACT #12	ACT #13	ACT #14	ACT #15
P3.6								SCB8_SEL2 (0)	LIN11_TX	CAN1_2_TX						
P3.7									LIN11_EN	CAN1_2_RX						
P4.0	PWM0_4	PWM0_M_0_N	TC0_4_TR0	TC0_M_0_TR1	EXT_MUX[0]_0	SCB5_RX (0)		SCB5_MISO (0)	LIN1_RX						TRIG_IN[10]	
P4.1	PWM0_5	PWM0_4_N	TC0_5_TR0	TC0_4_TR1	EXT_MUX[0]_1	SCB5_TX (0)	SCB5_SDA (0)	SCB5_MOSI (0)	LIN1_TX						TRIG_IN[11]	
P4.2	PWM0_6	PWM0_5_N	TC0_6_TR0	TC0_5_TR1	EXT_MUX[0]_2	SCB5_RTS (0)	SCB5_SCL (0)	SCB5_CLK (0)	LIN1_EN						TRIG_IN[12]	
P4.3	PWM0_7	PWM0_6_N	TC0_7_TR0	TC0_6_TR1	EXT_MUX[0]_EN	SCB5_CTS (0)		SCB5_SEL0 (0)		CAN0_1_TX					TRIG_IN[13]	
P4.4	PWM0_8	PWM0_7_N	TC0_8_TR0	TC0_7_TR1			LIN15_RX	SCB5_SEL1 (0)		CAN0_1_RX						
P5.0	PWM0_9	PWM0_8_N	TC0_9_TR0	TC0_8_TR1			LIN15_TX	SCB5_SEL2 (0)	LIN7_RX							
P5.1	PWM0_10	PWM0_9_N	TC0_10_TR0	TC0_9_TR1				SCB9_SEL3 (1)	LIN7_TX							
P5.2	PWM0_11	PWM0_10_N	TC0_11_TR0	TC0_10_TR1			LIN10_RX		LIN7_EN							
P5.3	PWM0_12	PWM0_11_N	TC0_12_TR0	TC0_11_TR1			LIN10_TX		LIN2_RX							
P5.4	PWM0_13	PWM0_12_N	TC0_13_TR0	TC0_12_TR1					LIN2_TX			LIN9_RX				
P5.5	PWM0_14	PWM0_13_N	TC0_14_TR0	TC0_13_TR1					LIN2_EN			LIN9_TX				
P6.0	PWM0_M_0	PWM0_14_N	TC0_M_0_TR0	TC0_14_TR1			SCB4_RX (0)		SCB4_MISO (0)	LIN3_RX		LIN9_EN				
P6.1	PWM0_0	PWM0_M_0_N	TC0_0_TR0	TC0_M_0_TR1			SCB4_TX (0)	SCB4_SDA (0)	SCB4_MOSI (0)	LIN3_TX						
P6.2	PWM0_M_1	PWM0_0_N	TC0_M_1_TR0	TC0_0_TR1			SCB4_RTS (0)	SCB4_SCL (0)	SCB4_CLK (0)	LIN3_EN	CAN0_2_TX			SDHC_CARD_- MECH_WRITE_P ROT (0)		
P6.3	PWM0_1	PWM0_M_1_N	TC0_1_TR0	TC0_M_1_TR1			SCB4_CTS (0)		SCB4_SEL0 (0)	LIN4_RX	CAN0_2_RX	SPIHB_CLK (0)		SDHC_- CARD_CMD (0)		CAL_SUP_NZ
P6.4	PWM0_M_2	PWM0_1_N	TC0_M_2_TR0	TC0_1_TR1					SCB4_SEL1 (0)	LIN4_TX		SPIHB_RWD S (0)		SDHC_- CLK_CARD (0)		
P6.5	PWM0_2	PWM0_M_2_N	TC0_2_TR0	TC0_M_2_TR1					SCB4_SEL2 (0)	LIN4_EN		SPIHB_SEL0 (0)		SDHC_CARD_- DETECT_N (0)		
P6.6	PWM0_M_3	PWM0_2_N	TC0_M_3_TR0	TC0_2_TR1					SCB4_SEL3 (0)						TRIG_IN[8]	
P6.7	PWM0_3	PWM0_M_3_N	TC0_3_TR0	TC0_M_3_TR1											TRIG_IN[9]	
P7.0	PWM0_M_4	PWM0_3_N	TC0_M_4_TR0	TC0_3_TR1			SCB5_RX (1)		SCB5_MISO (1)	LIN4_RX		SPIHB_SEL1 (0)		SDHC_- CARD_IF_P- WR_EN (0)		
P7.1	PWM0_15	PWM0_M_4_N	TC0_15_TR0	TC0_M_4_TR1			SCB5_TX (1)	SCB5_SDA (1)	SCB5_MOSI (1)	LIN4_TX		SPIHB_- DATA0 (0)		SDHC_CARD_- DAT_3TO0_0 (0)		
P7.2	PWM0_M_5	PWM0_15_N	TC0_M_5_TR0	TC0_15_TR1			SCB5_RTS (1)	SCB5_SCL (1)	SCB5_CLK (1)	LIN4_EN		SPIHB_- DATA1 (0)		SDHC_CARD_- DAT_3TO0_1 (0)		
P7.3	PWM0_16	PWM0_M_5_N	TC0_16_TR0	TC0_M_5_TR1			SCB5_CTS (1)		SCB5_SEL0 (1)			SPIHB_- DATA2 (0)		SDHC_CARD_- DAT_3TO0_2 (0)		
P7.4	PWM0_M_6	PWM0_16_N	TC0_M_6_TR0	TC0_16_TR1					SCB5_SEL1 (1)			SPIHB_- DATA3 (0)		SDHC_CARD_- DAT_3TO0_3 (0)		
P7.5	PWM0_17	PWM0_M_6_N	TC0_17_TR0	TC0_M_6_TR1			LIN10_RX	SCB5_SEL2 (1)				SPIHB_- DATA4 (0)		SDHC_CARD_- DAT_7TO4_0 (0)		
P7.6	PWM0_M_7	PWM0_17_N	TC0_M_7_TR0	TC0_17_TR1			LIN10_TX								TRIG_IN[16]	

**Table 13-1** Alternate pin functions in active mode (continued)<sup>[23, 31, 32]</sup>

Port pin	Active mapping															
	HCon#8 <sup>[29]</sup>	HCon#9	HCon#10	HCon#11	HCon#16	HCon#17	HCon#18	HCon#19	HCon#20	HCon#21	HCon#22	HCon#23	HCon#24	HCon#25	HCon#26	HCon#27
	ACT #0 <sup>[30]</sup>	ACT #1	ACT #2	ACT #3	ACT #4	ACT #5	ACT #6	ACT #7	ACT #8	ACT #9	ACT #10	ACT #11	ACT #12	ACT #13	ACT #14	ACT #15
P7.7	PWM0_18	PWM0_M_7_N	TC0_18_TR0	TC0_M_7_TR1			LIN10_EN								TRIG_IN[17]	
P8.0	PWM0_19	PWM0_18_N	TC0_19_TR0	TC0_18_TR1				LIN2_RX	CAN0_0_TX			SPIHB - DATA5 (0)		SDHC_CARD - DAT_7TO4_1 (0)		
P8.1	PWM0_20	PWM0_19_N	TC0_20_TR0	TC0_19_TR1				LIN2_TX	CAN0_0_RX			SPIHB - DATA6 (0)		SDHC_CARD - DAT_7TO4_2 (0)	TRIG_IN[14]	
P8.2	PWM0_21	PWM0_20_N	TC0_21_TR0	TC0_20_TR1				LIN2_EN				SPIHB - DATA7 (0)		SDHC_CARD - DAT_7TO4_3 (0)	TRIG_IN[15]	
P8.3	PWM0_22	PWM0_21_N	TC0_22_TR0	TC0_21_TR1												TRIG_DBG[0]
P8.4	PWM0_23	PWM0_22_N	TC0_23_TR0	TC0_22_TR1												TRIG_DBG[1]
P9.0	PWM0_24	PWM0_23_N	TC0_24_TR0	TC0_23_TR1												
P9.1	PWM0_25	PWM0_24_N	TC0_25_TR0	TC0_24_TR1						LIN12_RX						
P9.2	PWM0_26	PWM0_25_N	TC0_26_TR0	TC0_25_TR1						LIN12_TX						
P9.3	PWM0_27	PWM0_26_N	TC0_27_TR0	TC0_26_TR1						LIN12_EN						
P10.0	PWM0_28	PWM0_27_N	TC0_28_TR0	TC0_27_TR1		SCB4_RX (1)		SCB4_MISO (1)	LIN7_RX						TRIG_IN[18]	
P10.1	PWM0_29	PWM0_28_N	TC0_29_TR0	TC0_28_TR1		SCB4_TX (1)	SCB4_SDA (1)	SCB4_MOSI (1)	LIN7_TX						TRIG_IN[19]	
P10.2	PWM0_30	PWM0_29_N	TC0_30_TR0	TC0_29_TR1		SCB4_RTS (1)	SCB4_SCL (1)	SCB4_CLK (1)				LIN8_RX				
P10.3	PWM0_31	PWM0_30_N	TC0_31_TR0	TC0_30_TR1		SCB4_CTS (1)		SCB4_SEL0 (1)				LIN8_TX				
P10.4	PWM0_32	PWM0_31_N	TC0_32_TR0	TC0_31_TR1				SCB4_SEL1 (1)				LIN8_EN				
P10.5	PWM0_33	PWM0_32_N	TC0_33_TR0	TC0_32_TR1				SCB4_SEL2 (1)		LIN13_RX						
P10.6		PWM0_33_N		TC0_33_TR1						LIN13_TX	PWM0_34					
P10.7	PWM0_35	PWM0_34_N	TC0_35_TR0	TC0_34_TR1						LIN13_EN						
P11.0	PWM0_61	PWM0_62_N	TC0_61_TR0	TC0_62_TR1										AUDIOSS0_MCLK		
P11.1	PWM0_60	PWM0_61_N	TC0_60_TR0	TC0_61_TR1										AUDIOSS0_TX_SCK		
P11.2	PWM0_59	PWM0_60_N	TC0_59_TR0	TC0_60_TR1										AUDIOSS0_TX_WS		
P12.0	PWM0_36		TC0_36_TR0			SCB8_RX (0)		SCB8_MISO (0)		CAN0_2_TX		PWM0_35_N		AUDIOSS0_TX_SDO	TRIG_IN[20]	
P12.1	PWM0_37	PWM0_36_N	TC0_37_TR0	TC0_36_TR1		SCB8_TX (0)	SCB8_SDA (0)	SCB8_MOSI (0)	LIN6_EN	CAN0_2_RX				AUDIOSS0 - CLK_I2S_IF	TRIG_IN[21]	
P12.2	PWM0_38	PWM0_37_N	TC0_38_TR0	TC0_37_TR1	EXT_MUX[1]_EN	SCB8_RTS (0)	SCB8_SCL (0)	SCB8_CLK (0)	LIN6_RX					AUDIOSS0_RX_SCK		
P12.3	PWM0_39	PWM0_38_N	TC0_39_TR0	TC0_38_TR1	EXT_MUX[1]_0	SCB8_CTS (0)		SCB8_SEL0 (0)	LIN6_TX					AUDIOSS0_RX_WS		
P12.4	PWM0_40	PWM0_39_N	TC0_40_TR0	TC0_39_TR1	EXT_MUX[1]_1			SCB8_SEL1 (0)		CAN1_1_TX				AUDIOSS0_RX_SDI		
P12.5	PWM0_41	PWM0_40_N	TC0_41_TR0	TC0_40_TR1	EXT_MUX[1]_2					CAN1_1_RX						
P12.6	PWM0_42	PWM0_41_N	TC0_42_TR0	TC0_41_TR1												
P12.7	PWM0_43	PWM0_42_N	TC0_43_TR0	TC0_42_TR1												



**Table 13-1** Alternate pin functions in active mode (continued)<sup>[23, 31, 32]</sup>

Port pin	Active mapping															
	HCon#8 <sup>[29]</sup>	HCon#9	HCon#10	HCon#11	HCon#16	HCon#17	HCon#18	HCon#19	HCon#20	HCon#21	HCon#22	HCon#23	HCon#24	HCon#25	HCon#26	HCon#27
	ACT #0 <sup>[30]</sup>	ACT #1	ACT #2	ACT #3	ACT #4	ACT #5	ACT #6	ACT #7	ACT #8	ACT #9	ACT #10	ACT #11	ACT #12	ACT #13	ACT #14	ACT #15
P13.0	PWM0_M_8	PWM0_43_N	TC0_M_8_TR0	TC0_43_TR1	EXT_MUX[2]_0	SCB3_RX (0)			LIN3_RX	SCB3_MISO (0)				AUDIOSS1_MCLK		
P13.1	PWM0_44	PWM0_M_8_N	TC0_44_TR0	TC0_M_8_TR1	EXT_MUX[2]_1	SCB3_TX (0)	SCB3_SDA (0)		LIN3_TX	SCB3_MOSI (0)				AUDIOSS1_TX_SCK		
P13.2	PWM0_M_9	PWM0_44_N	TC0_M_9_TR0	TC0_44_TR1	EXT_MUX[2]_2	SCB3_RTS (0)	SCB3_SCL (0)		LIN3_EN	SCB3_CLK (0)				AUDIOSS1_TX_WS		
P13.3	PWM0_45	PWM0_M_9_N	TC0_45_TR0	TC0_M_9_TR1	EXT_MUX[2]_EN	SCB3_CTS (0)			LIN2_RX	SCB3_SELO (0)				AUDIOSS1_TX_SDO		
P13.4	PWM0_M_10	PWM0_45_N	TC0_M_10_TR0	TC0_45_TR1	PWM0_H_4				LIN2_TX	SCB3_SEL1 (0)	LIN8_RX			AUDIOSS1_CLK_I2S_IF		
P13.5	PWM0_46	PWM0_M_10_N	TC0_46_TR0	TC0_M_10_TR1	PWM0_H_4_N					SCB3_SEL2 (0)	LIN8_TX			AUDIOSS1_RX_SCK		
P13.6	PWM0_M_11	PWM0_46_N	TC0_M_11_TR0	TC0_46_TR1	PWM0_H_5					SCB3_SEL3 (0)	LIN8_EN			AUDIOSS1_RX_WS	TRIG_IN[22]	
P13.7	PWM0_47	PWM0_M_11_N	TC0_47_TR0	TC0_M_11_TR1	PWM0_H_5_N									AUDIOSS1_RX_SDI	TRIG_IN[23]	
P14.0	PWM0_48	PWM0_47_N	TC0_48_TR0	TC0_47_TR1	PWM0_H_6	SCB2_MISO (0)		SCB2_RX (0)		CAN1_0_TX				AUDIOSS2_MCLK		
P14.1	PWM0_49	PWM0_48_N	TC0_49_TR0	TC0_48_TR1	PWM0_H_6_N	SCB2_MOSI (0)	SCB2_SDA (0)	SCB2_TX (0)		CAN1_0_RX				AUDIOSS2_TX_SCK		
P14.2	PWM0_50	PWM0_49_N	TC0_50_TR0	TC0_49_TR1	PWM0_H_7	SCB2_CLK (0)	SCB2_SCL (0)	SCB2_RTS (0)	LIN6_RX							
P14.3	PWM0_51	PWM0_50_N	TC0_51_TR0	TC0_50_TR1	PWM0_H_7_N	SCB2_SELO (0)		SCB2_CTS (0)	LIN6_TX							
P14.4	PWM0_52	PWM0_51_N	TC0_52_TR0	TC0_51_TR1	TC0_H_4_TR0	SCB2_SEL1 (0)			LIN6_EN					AUDIOSS2_TX_WS		
P14.5	PWM0_53	PWM0_52_N	TC0_53_TR0	TC0_52_TR1	TC0_H_4_TR1	SCB2_SEL2 (0)	LIN14_RX							AUDIOSS2_TX_SDO		
P14.6	PWM0_54	PWM0_53_N	TC0_54_TR0	TC0_53_TR1	TC0_H_5_TR0		LIN14_TX								TRIG_IN[24]	
P14.7	PWM0_55	PWM0_54_N	TC0_55_TR0	TC0_54_TR1	TC0_H_5_TR1		LIN14_EN								TRIG_IN[25]	
P15.0	PWM0_56	PWM0_55_N	TC0_56_TR0	TC0_55_TR1	TC0_H_6_TR0	SCB9_RX (0)		SCB9_MISO (0)		CAN1_3_TX				AUDIOSS2_CLK_I2S_IF		
P15.1	PWM0_57	PWM0_56_N	TC0_57_TR0	TC0_56_TR1	TC0_H_6_TR1	SCB9_TX (0)	SCB9_SDA (0)	SCB9_MOSI (0)		CAN1_3_RX				AUDIOSS2_RX_SCK		
P15.2	PWM0_58	PWM0_57_N	TC0_58_TR0	TC0_57_TR1	TC0_H_7_TR0	SCB9_RTS (0)	SCB9_SCL (0)	SCB9_CLK (0)						AUDIOSS2_RX_WS		
P15.3	PWM0_59	PWM0_58_N	TC0_59_TR0	TC0_58_TR1	TC0_H_7_TR1	SCB9_CTS (0)		SCB9_SELO (0)						AUDIOSS2_RX_SDI		
P16.0	PWM0_60	PWM0_59_N	TC0_60_TR0	TC0_59_TR1	PWM0_H_0			SCB9_SEL1 (0)	LIN11_RX							
P16.1	PWM0_61	PWM0_60_N	TC0_61_TR0	TC0_60_TR1	PWM0_H_0_N			SCB9_SEL2 (0)	LIN11_TX							
P16.2	PWM0_62	PWM0_61_N	TC0_62_TR0	TC0_61_TR1	PWM0_H_1			SCB9_SEL3 (0)	LIN11_EN							
P16.3	PWM0_62	PWM0_62_N	TC0_62_TR0	TC0_62_TR1	PWM0_H_1_N											
P16.4																
P16.5																
P16.6																
P16.7																





**Table 13-1** Alternate pin functions in active mode (continued)<sup>[23, 31, 32]</sup>

Port pin	Active mapping															
	HCon#8 <sup>[29]</sup>	HCon#9	HCon#10	HCon#11	HCon#16	HCon#17	HCon#18	HCon#19	HCon#20	HCon#21	HCon#22	HCon#23	HCon#24	HCon#25	HCon#26	HCon#27
	ACT #0 <sup>[30]</sup>	ACT #1	ACT #2	ACT #3	ACT #4	ACT #5	ACT #6	ACT #7	ACT #8	ACT #9	ACT #10	ACT #11	ACT #12	ACT #13	ACT #14	ACT #15
P17.0	PWM0_61	PWM0_62_N	TC0_61_TR0	TC0_62_TR1					LIN11_RX	CAN1_1_TX						
P17.1	PWM0_60	PWM0_61_N	TC0_60_TR0	TC0_61_TR1		SCB3_RX (1)			LIN11_TX	CAN1_1_RX						
P17.2	PWM0_59	PWM0_60_N	TC0_59_TR0	TC0_60_TR1		SCB3_TX (1)	SCB3_SDA (1)		LIN11_EN							
P17.3	PWM0_58	PWM0_59_N	TC0_58_TR0	TC0_59_TR1	PWM0_H_3	SCB3_RTS (1)	SCB3_SCL (1)			SCB3_CLK (1)					TRIG_IN[26]	
P17.4	PWM0_57	PWM0_58_N	TC0_57_TR0	TC0_58_TR1	PWM0_H_3_N	SCB3_CTS (1)				SCB3_SELO (1)					TRIG_IN[27]	
P17.5	PWM0_56	PWM0_57_N	TC0_56_TR0	TC0_57_TR1	PWM0_H_2		LIN15_RX			SCB3_SEL1 (1)						
P17.6	PWM0_M_4	PWM0_56_N	TC0_M_4_TR0	TC0_56_TR1	PWM0_H_2_N		LIN15_TX			SCB3_SEL2 (1)						
P17.7	PWM0_M_5	PWM0_M_4_N	TC0_M_5_TR0	TC0_M_4_TR1			LIN15_EN			LIN12_RX						
P18.0	PWM0_M_6	PWM0_M_5_N	TC0_M_6_TR0	TC0_M_5_TR1	PWM0_H_0	SCB1_RX (0)		SCB1_MISO (0)		LIN12_TX			ETH0_REF_CLK (0)			FAULT_OUT_0
P18.1	PWM0_M_7	PWM0_M_6_N	TC0_M_7_TR0	TC0_M_6_TR1	PWM0_H_0_N	SCB1_TX (0)	SCB1_SDA (0)	SCB1_MOSI (0)		SCB3_MISO (1)			ETH0_TX_CTL (0)			FAULT_OUT_1
P18.2	PWM0_55	PWM0_M_7_N	TC0_55_TR0	TC0_M_7_TR1	PWM0_H_1	SCB1_RTS (0)	SCB1_SCL (0)	SCB1_CLK (0)		SCB3_MOSI (1)			ETH0_TX_ER (0)			
P18.3	PWM0_54	PWM0_55_N	TC0_54_TR0	TC0_55_TR1	PWM0_H_1_N	SCB1_CTS (0)		SCB1_SELO (0)		SCB3_CLK (2)			ETH0_TX_CLK (0)			TRACE_CLOCK (0)
P18.4	PWM0_53	PWM0_54_N	TC0_53_TR0	TC0_54_TR1	PWM0_H_2			SCB1_SEL1 (0)		SCB3_SELO (2)			ETH0_TXD_0 (0)			TRACE_-DATA_0 (0)
P18.5	PWM0_52	PWM0_53_N	TC0_52_TR0	TC0_53_TR1	PWM0_H_2_N			SCB1_SEL2 (0)					ETH0_TXD_1 (0)			TRACE_-DATA_1 (0)
P18.6	PWM0_51	PWM0_52_N	TC0_51_TR0	TC0_52_TR1	PWM0_H_3			SCB1_SEL3 (0)		CAN1_2_TX			ETH0_TXD_2 (0)			TRACE_-DATA_2 (0)
P18.7	PWM0_50	PWM0_51_N	TC0_50_TR0	TC0_51_TR1	PWM0_H_3_N					CAN1_2_RX			ETH0_TXD_3 (0)			TRACE_-DATA_3 (0)
P19.0	PWM0_M_3	PWM0_50_N	TC0_M_3_TR0	TC0_50_TR1	TC0_H_0_TR0	SCB2_MISO (1)		SCB2_RX (1)		CAN1_3_TX			ETH0_RXD_0 (0)			FAULT_OUT_2
P19.1	PWM0_26	PWM0_M_3_N	TC0_26_TR0	TC0_M_3_TR1	TC0_H_0_TR1	SCB2_MOSI (1)	SCB2_SDA (1)	SCB2_TX (1)		CAN1_3_RX			ETH0_RXD_1 (0)			FAULT_OUT_3
P19.2	PWM0_27	PWM0_26_N	TC0_27_TR0	TC0_26_TR1	TC0_H_1_TR0	SCB2_CLK (1)	SCB2_SCL (1)	SCB2_RTS (1)					ETH0_RXD_2 (0)		TRIG_IN[28]	
P19.3	PWM0_28	PWM0_27_N	TC0_28_TR0	TC0_27_TR1	TC0_H_1_TR1	SCB2_SELO (1)		SCB2_CTS (1)					ETH0_RXD_3 (0)		TRIG_IN[29]	
P19.4	PWM0_29	PWM0_28_N	TC0_29_TR0	TC0_28_TR1	TC0_H_2_TR0	SCB2_SEL1 (1)										
P20.0	PWM0_30	PWM0_29_N	TC0_30_TR0	TC0_29_TR1	TC0_H_2_TR1	SCB2_SEL2 (1)			LIN5_RX							
P20.1	PWM0_49	PWM0_30_N	TC0_49_TR0	TC0_30_TR1	TC0_H_3_TR0				LIN5_TX							
P20.2	PWM0_48	PWM0_49_N	TC0_48_TR0	TC0_49_TR1	TC0_H_3_TR1				LIN5_EN							
P20.3	PWM0_47	PWM0_48_N	TC0_47_TR0	TC0_48_TR1		SCB1_RX (1)		SCB1_MISO (1)		CAN1_2_TX						
P20.4	PWM0_46	PWM0_47_N	TC0_46_TR0	TC0_47_TR1		SCB1_TX (1)	SCB1_SDA (1)	SCB1_MOSI (1)		CAN1_2_RX						
P20.5	PWM0_45	PWM0_46_N	TC0_45_TR0	TC0_46_TR1		SCB1_RTS (1)	SCB1_SCL (1)	SCB1_CLK (1)								
P20.6	PWM0_44	PWM0_45_N	TC0_44_TR0	TC0_45_TR1		SCB1_CTS (1)		SCB1_SELO (1)								
P20.7	PWM0_43	PWM0_44_N	TC0_43_TR0	TC0_44_TR1				SCB1_SEL1 (1)								



**Table 13-1** Alternate pin functions in active mode (continued)<sup>[23, 31, 32]</sup>

Port pin	Active mapping															
	HCon#8 <sup>[29]</sup>	HCon#9	HCon#10	HCon#11	HCon#16	HCon#17	HCon#18	HCon#19	HCon#20	HCon#21	HCon#22	HCon#23	HCon#24	HCon#25	HCon#26	HCon#27
	ACT #0 <sup>[30]</sup>	ACT #1	ACT #2	ACT #3	ACT #4	ACT #5	ACT #6	ACT #7	ACT #8	ACT #9	ACT #10	ACT #11	ACT #12	ACT #13	ACT #14	ACT #15
P21.0	PWM0_42	PWM0_43_N	TC0_42_TR0	TC0_43_TR1				SCB1_SEL2 (1)								
P21.1	PWM0_41	PWM0_42_N	TC0_41_TR0	TC0_42_TR1												
P21.2	PWM0_40	PWM0_41_N	TC0_40_TR0	TC0_41_TR1							EXT_CLK					TRIG_DBG[1]
P21.3	PWM0_39	PWM0_40_N	TC0_39_TR0	TC0_40_TR1												
P21.4	PWM0_38	PWM0_39_N	TC0_38_TR0	TC0_39_TR1												
P21.5	PWM0_37	PWM0_38_N	TC0_37_TR0	TC0_38_TR1					LIN0_RX	CAN1_1_TX	PWM0_34	PWM0_35_N	ETH0_RX_CTL (0)			TRACE_- DATA_0 (1)
P21.6	PWM0_36	PWM0_37_N	TC0_36_TR0	TC0_37_TR1					LIN0_TX	LIN13_RX						
P21.7	PWM0_35	PWM0_36_N	TC0_35_TR0	TC0_36_TR1		SCB6_RX (1)		SCB6_MISO (1)	LIN0_EN	LIN13_TX						CAL_SUP_NZ
P22.1	PWM0_33	PWM0_34_N	TC0_33_TR0	TC0_34_TR1		SCB6_TX (1)	SCB6_SDA (1)	SCB6_MOSI (1)		CAN1_1_RX						TRACE_- DATA_1 (1)
P22.2	PWM0_32	PWM0_33_N	TC0_32_TR0	TC0_33_TR1		SCB6_RTS (1)	SCB6_SCL (1)	SCB6_CLK (1)								TRACE_- DATA_2 (1)
P22.3	PWM0_31	PWM0_32_N	TC0_31_TR0	TC0_32_TR1		SCB6_CTS (1)		SCB6_SEL0 (1)								TRACE_- DATA_3 (1)
P22.4	PWM0_30	PWM0_31_N	TC0_30_TR0	TC0_31_TR1				SCB6_SEL1 (1)								TRACE_CLOCK (1)
P22.5	PWM0_29	PWM0_30_N	TC0_29_TR0	TC0_30_TR1				SCB6_SEL2 (1)	LIN7_RX							
P22.6	PWM0_28	PWM0_29_N	TC0_28_TR0	TC0_29_TR1					LIN7_TX							
P22.7	PWM0_27	PWM0_28_N	TC0_27_TR0	TC0_28_TR1			LIN14_RX		LIN7_EN							
P23.0	PWM0_M_8	PWM0_27_N	TC0_M_8_TR0	TC0_27_TR1		SCB7_RX (1)	LIN14_TX	SCB7_MISO (1)		CAN1_0_TX						FAULT_OUT_0
P23.1	PWM0_M_9	PWM0_M_8_N	TC0_M_9_TR0	TC0_M_8_TR1		SCB7_TX (1)	SCB7_SDA (1)	SCB7_MOSI (1)		CAN1_0_RX						FAULT_OUT_1
P23.2	PWM0_M_10	PWM0_M_9_N	TC0_M_10_TR0	TC0_M_9_TR1		SCB7_RTS (1)	SCB7_SCL (1)	SCB7_CLK (1)	LIN6_RX							FAULT_OUT_2
P23.3	PWM0_M_11	PWM0_M_10_N	TC0_M_11_TR0	TC0_M_10_TR1		SCB7_CTS (1)		SCB7_SEL0 (1)	LIN6_TX				ETH0_RX_CLK (0)		TRIG_IN[30]	FAULT_OUT_3
P23.4	PWM0_25	PWM0_M_11_N	TC0_25_TR0	TC0_M_11_TR1		SCB2_MISO (2)		SCB7_SEL1 (1)							TRIG_IN[31]	TRIG_DBG[0]
P23.5	PWM0_24	PWM0_25_N	TC0_24_TR0	TC0_25_TR1		SCB2_MOSI (2)		SCB7_SEL2 (1)				LIN9_RX				
P23.6	PWM0_23	PWM0_24_N	TC0_23_TR0	TC0_24_TR1		SCB2_CLK (2)						LIN9_TX				
P23.7	PWM0_22	PWM0_23_N	TC0_22_TR0	TC0_23_TR1		SCB2_SEL0 (2)					EXT_CLK	LIN9_EN				CAL_SUP_NZ
P24.0											EXT_CLK				SDHC_CARD_- DETECT_N (1)	
P24.1												SPIHB_CLK (1)			SDHC_CARD_- MECH_WRITE_P ROT (1)	
P24.2												SPIHB_RWD S (1)			SDHC_- CLK_CARD (1)	
P24.3												SPIHB_SEL0 (1)			SDHC_- CARD_CMD (1)	
P24.4												SPIHB_SEL1 (1)			SDHC_- CARD_IF_P- WR_EN (1)	

**Table 13-1** Alternate pin functions in active mode (continued)<sup>[23, 31, 32]</sup>

Port pin	Active mapping															
	HCon#8 <sup>[29]</sup>	HCon#9	HCon#10	HCon#11	HCon#16	HCon#17	HCon#18	HCon#19	HCon#20	HCon#21	HCon#22	HCon#23	HCon#24	HCon#25	HCon#26	HCon#27
	ACT #0 <sup>[30]</sup>	ACT #1	ACT #2	ACT #3	ACT #4	ACT #5	ACT #6	ACT #7	ACT #8	ACT #9	ACT #10	ACT #11	ACT #12	ACT #13	ACT #14	ACT #15
P25.0												SPIHB - DATA0 (1)		SDHC_CARD - DAT_3TO0_0 (1)		
P25.1												SPIHB - DATA1 (1)		SDHC_CARD - DAT_3TO0_1 (1)		
P25.2												SPIHB - DATA2 (1)		SDHC_CARD - DAT_3TO0_2 (1)		
P25.3												SPIHB - DATA3 (1)		SDHC_CARD - DAT_3TO0_3 (1)		
P25.4												SPIHB - DATA4 (1)		SDHC_CARD - DAT_7TO4_0 (1)		
P25.5												SPIHB - DATA5 (1)		SDHC_CARD - DAT_7TO4_1 (1)		
P25.6												SPIHB - DATA6 (1)		SDHC_CARD - DAT_7TO4_2 (1)		
P25.7												SPIHB - DATA7 (1)		SDHC_CARD - DAT_7TO4_3 (1)		
P26.0																
P26.1																
P26.2																
P26.3																
P26.4																
P26.5																
P26.6																
P26.7																
P27.0																
P27.1																
P27.2																
P27.3																
P27.4																
P27.5																
P27.6																
P27.7																
P28.0								SCB10_RX (0)				SCB10_MISO (0)				
P28.1								SCB10_TX (0)	SCB10_SDA (0)			SCB10_MOSI (0)				
P28.2								SCB10_RTS (0)	SCB10_SCL (0)			SCB10_CLK (0)				
P28.3								SCB10_CTS (0)				SCB10_SEL0 (0)				
P28.4												SCB10_SEL1 (0)				



**Table 13-1** Alternate pin functions in active mode (continued)<sup>[23, 31, 32]</sup>

Port pin	Active mapping															
	HCon#8 <sup>[29]</sup>	HCon#9	HCon#10	HCon#11	HCon#16	HCon#17	HCon#18	HCon#19	HCon#20	HCon#21	HCon#22	HCon#23	HCon#24	HCon#25	HCon#26	HCon#27
	ACT #0 <sup>[30]</sup>	ACT #1	ACT #2	ACT #3	ACT #4	ACT #5	ACT #6	ACT #7	ACT #8	ACT #9	ACT #10	ACT #11	ACT #12	ACT #13	ACT #14	ACT #15
P28.5								SCB10_SEL2 (0)								
P28.6								SCB10_SEL3 (0)								
P28.7																
P29.0																
P29.1																
P29.2																
P29.3																
P29.4																
P29.5																
P29.6																
P29.7																
P30.0						SCB9_RTS (1)		SCB9_CLK (1)								
P30.1						SCB9_CTS (1)		SCB9_SELO (1)								
P30.2								SCB9_SEL1 (1)		CAN1_3_TX						
P30.3								SCB9_SEL2 (1)		CAN1_3_RX						
P31.0																
P31.1																
P31.2																
P32.0						SCB10_RX (1)		SCB10_MISO (1)								
P32.1						SCB10_TX (1)	SCB10_SDA (1)	SCB10_MOSI (1)								
P32.2						SCB10_RTS (1)	SCB10_SCL (1)	SCB10_CLK (1)								
P32.3						SCB10_CTS (1)		SCB10_SELO (1)								
P32.4							LIN10_RX	SCB10_SEL1 (1)								
P32.5							LIN10_TX	SCB10_SEL2 (1)								
P32.6							LIN10_EN	SCB10_SEL3 (1)								
P32.7																

Alternate function pin assignments

### 13.1 Pin function description

**Table 13-2 Pin function description**

Sl. No.	Pin	Module	Description
1	PWMx_y	TCPWM	TCPWM 16-bit PWM (no motor control), PWM_DT and PWM_PR line out, x-TCPWM block, y-counter number
2	PWMx_y_N	TCPWM	TCPWM 16-bit PWM (no motor control), PWM_DT and PWM_PR complementary line out (N), x-TCPWM block, y-counter number
3	PWMx_M_y	TCPWM	TCPWM 16-bit PWM with motor control line out, x-TCPWM block, y-counter number
4	PWMx_M_y_N	TCPWM	TCPWM 16-bit PWM with motor control complementary line out (N), x-TCPWM block, y-counter number
5	PWMx_H_y	TCPWM	TCPWM 32-bit PWM, PWM_DT and PWM_PR line out, x-TCPWM block, y-counter number
6	PWMx_H_y_N	TCPWM	TCPWM 32-bit PWM, PWM_DT and PWM_PR complementary line out (N), x-TCPWM block, y-counter number
7	TCx_y_TRz	TCPWM	TCPWM 16-bit dedicated counter input triggers, x-TCPWM block, y-counter number, z-trigger number
8	TCx_M_y_TRz	TCPWM	TCPWM 16-bit dedicated counter input triggers with motor control, x-TCPWM block, y-counter number, z-trigger number
9	TCx_H_y_TRz	TCPWM	TCPWM 32-bit dedicated counter input triggers, x-TCPWM block, y-counter number, z-trigger number
10	SCBx_RX	SCB	UART Receive, x-SCB block
11	SCBx_TX	SCB	UART Transmit, x-SCB block
12	SCBx_RTS	SCB	UART Request to Send (Handshake), x-SCB block
13	SCBx_CTS	SCB	UART Clear to Send (Handshake), x-SCB block
14	SCBx_SDA	SCB	I <sup>2</sup> C Data line, x-SCB block
15	SCBx_SCL	SCB	I <sup>2</sup> C Clock line, x-SCB block
16	SCBx_MISO	SCB	SPI Master Input Slave Output, x-SCB block
17	SCBx_MOSI	SCB	SPI Master Output Slave Input, x-SCB block
18	SCBx_CLK	SCB	SPI Serial Clock, x-SCB block
19	SCBx_SELy	SCB	SPI Slave Select, x-SCB block, y-select line
20	LINx_RX	LIN	LIN Receive line, x-LIN block
21	LINx_TX	LIN	LIN Transmit line, x-LIN block
22	LINx_EN	LIN	LIN Enable line, x-LIN block
23	CANx_y_TX	CANFD	CAN Transmit line, x-CAN block, y-channel number
24	CANx_y_RX	CANFD	CAN Receive line, x-CAN block, y-channel number
25	SPIHB_CLK	SMIF	SMIF interface clock
26	SPIHB_RWDS	SMIF	SMIF (SPI/HYPERBUS™) read-write-data-strobe line
27	SPIHB_SELx	SMIF	SMIF (SPI/HYPERBUS™) memory select line, x-select line number
28	SPIHB_DATAx	SMIF	SMIF (SPI/HYPERBUS™) memory data read and write line, x-0 to 7 data lines
29	ETHx_RX_ER	Ethernet	Ethernet receive error indication line, x-ETH module number
30	ETHx_ETH_TSU_TIMER_C-MP_VAL	Ethernet	Ethernet time stamp unit timer compare indication line, x-ETH module number
31	ETHx_MDIO	Ethernet	Ethernet management data input/output (MDIO) interface to PHY, x-ETH module number
32	ETHx_MDC	Ethernet	Ethernet management data clock (MDC) line, x-ETH module number
33	ETHx_REF_CLK	Ethernet	Ethernet reference clock line, x-ETH module number
34	ETHx_TX_CTL	Ethernet	Ethernet transmit control line, x-ETH module number
35	ETHx_TX_ER	Ethernet	Ethernet transmit error indication line, x-ETH module number
36	ETHx_TX_CLK	Ethernet	Ethernet transmit clock line, x-ETH module number
37	ETHx_TXD_y	Ethernet	Ethernet transmit data line, , x-ETH module number, y-transmit channel number
38	ETHx_RXD_y	Ethernet	Ethernet receive data line, , x-ETH module number, y-receive channel number
39	ETHx_RX_CTL	Ethernet	Ethernet receive control line, x-ETH module number
40	ETHx_RX_CLK	Ethernet	Ethernet receive clock line, x-ETH module number

Alternate function pin assignments

**Table 13-2 Pin function description** (continued)

Sl. No.	Pin	Module	Description
41	SDHC_CARD_MECH_WRITE_PROT	SDHC	SDHC mechanical write protect
42	SDHC_CARD_CMD	SDHC	SDHC command line
43	SDHC_CLK_CARD	SDHC	SDHC clock line
44	SDHC_CARD_DETECT_N	SDHC	SDHC interface insertion or removal detection line
45	SDHC_CARD_IF_PWR_EN	SDHC	SDHC interface power cycle line
46	SDHC_CARD_DAT_3TO0_x	SDHC	SDHC lower 4-bits of the data
47	SDHC_CARD_DAT_7TO4_x	SDHC	SDHC upper 4-bits of the data in 8-bit mode
48	AUDIOSSx_MCLK	AUDIOSS	AudioSS master clock out, x-AudioSS block
49	AUDIOSSx_TX_SCK	AUDIOSS	I <sup>2</sup> S serial clock for transmitter, x-AudioSS block
50	AUDIOSSx_TX_WS	AUDIOSS	I <sup>2</sup> S word select for transmitter, x-AudioSS block
51	AUDIOSSx_TX_SDO	AUDIOSS	I <sup>2</sup> S serial data output for transmitter, x-AudioSS block
52	AUDIOSSx_CLK_I2S_IF	AUDIOSS	I <sup>2</sup> S clock supplied from external I2S bus host, x-AudioSS block
53	AUDIOSSx_RX_SCK	AUDIOSS	I <sup>2</sup> S serial clock for receiver, x-AudioSS block
54	AUDIOSSx_RX_WS	AUDIOSS	I <sup>2</sup> S word select for receiver, x-AudioSS block
55	AUDIOSSx_RX_SDI	AUDIOSS	I <sup>2</sup> S serial data input for receiver, x-AudioSS block
56	CAL_SUP_NZ	System	ETAS Calibration support line
57	FAULT_OUT_x	SRSS	Fault output line x-0 to 3
58	TRACE_DATA_x	SRSS	Trace data out line x-0 to 3
59	TRACE_CLOCK	SRSS	Trace clock line
60	RTC_CAL	SRSS RTC	RTC calibration clock input
61	SWJ_TRSTN	SRSS	JTAG Test reset line (Active low)
62	SWJ_SWO_TDO	SRSS	JTAG Test data output/SWO (Serial Wire Output)
63	SWJ_SWCLK_TCLK	SRSS	JTAG Test clock/SWD clock (Serial Wire Clock)
64	SWJ_SWDIO_TMS	SRSS	JTAG Test mode select/SWD data (Serial Wire Data Input/Output)
65	SWJ_SWDOE_TDI	SRSS	JTAG Test data input
66	HIBERNATE_WAKEUP[x]	SRSS	Hibernate wakeup line x-0 to 3
67	EXT_CLK	SRSS	External clock input
68	EXT_PS_CTL0	SRSS REGHC	REGHC control line, Transistor mode/Positive terminal of the current sense resistor, PMIC mode/Power good input from PMIC
69	EXT_PS_CTL1	SRSS REGHC	REGHC control line, Transistor mode/Negative terminal of the current sense resistor, PMIC mode/Enable output for PMIC
70	EXT_PS_CTL2	SRSS REGHC	REGHC control line, Transistor mode/unused, PMIC mode/Reset threshold adjustment for some PMICs
71	ADC[x]_y	PASS SAR	SAR, channel, x-SAR number, y-channel number
72	ADC[x]_M	PASS SAR	SAR motor control input, x-SAR number
73	EXT_MUX[x]_y	PASS SAR	External SAR MUX inputs, x-MUX number, y-MUX input 0 to 2
74	EXT_MUX[x]_EN	PASS SAR	External SAR MUX enable line

## 14 Interrupts and wake-up assignments

**Table 14-1 Peripheral interrupt assignments and wake-up sources**

Interrupt	Source	Power Mode	Description
0	cpuss_interrupts_ipc_0_IRQn	DeepSleep	CPUSS Inter Process Communication Interrupt #0
1	cpuss_interrupts_ipc_1_IRQn	DeepSleep	CPUSS Inter Process Communication Interrupt #1
2	cpuss_interrupts_ipc_2_IRQn	DeepSleep	CPUSS Inter Process Communication Interrupt #2
3	cpuss_interrupts_ipc_3_IRQn	DeepSleep	CPUSS Inter Process Communication Interrupt #3
4	cpuss_interrupts_ipc_4_IRQn	DeepSleep	CPUSS Inter Process Communication Interrupt #4
5	cpuss_interrupts_ipc_5_IRQn	DeepSleep	CPUSS Inter Process Communication Interrupt #5
6	cpuss_interrupts_ipc_6_IRQn	DeepSleep	CPUSS Inter Process Communication Interrupt #6
7	cpuss_interrupts_ipc_7_IRQn	DeepSleep	CPUSS Inter Process Communication Interrupt #7
8	cpuss_interrupts_fault_0_IRQn	DeepSleep	CPUSS Fault Structure #0 Interrupt
9	cpuss_interrupts_fault_1_IRQn	DeepSleep	CPUSS Fault Structure #1 Interrupt
10	cpuss_interrupts_fault_2_IRQn	DeepSleep	CPUSS Fault Structure #2 Interrupt
11	cpuss_interrupts_fault_3_IRQn	DeepSleep	CPUSS Fault Structure #3 Interrupt
12	srss_interrupt_backup_IRQn	DeepSleep	BACKUP domain Interrupt
13	srss_interrupt_mcwtdt_0_IRQn	DeepSleep	Multi Counter Watchdog Timer #0 interrupt
14	srss_interrupt_mcwtdt_1_IRQn	DeepSleep	Multi Counter Watchdog Timer #1 interrupt
15	srss_interrupt_mcwtdt_2_IRQn	DeepSleep	Multi Counter Watchdog Timer #2 interrupt
16	srss_interrupt_wdt_IRQn	DeepSleep	Hardware Watchdog Timer interrupt
17	srss_interrupt_IRQn	DeepSleep	Other combined Interrupts for SRSS (LVD, CLKCAL)
18	scb_0_interrupt_IRQn	DeepSleep	SCB0 interrupt (DeepSleep capable)
19	evtgen_0_interrupt_dpslp_IRQn	DeepSleep	Event gen DeepSleep domain interrupt
20	ioss_interrupt_vdd_IRQn	DeepSleep	I/O Supply (V <sub>DDIO</sub> , V <sub>DDA</sub> , V <sub>DD</sub> ) state change Interrupt
21	ioss_interrupt_gpio_dpslp_IRQn	DeepSleep	Consolidated Interrupt for GPIO_STD and GPIO_ENH, All Ports
22	ioss_interrupts_gpio_dpslp_0_IRQn	DeepSleep	GPIO_ENH Port #0 Interrupt
23	ioss_interrupts_gpio_dpslp_1_IRQn	DeepSleep	GPIO_STD Port #1 Interrupt
24	ioss_interrupts_gpio_dpslp_2_IRQn	DeepSleep	GPIO_STD Port #2 Interrupt
25	ioss_interrupts_gpio_dpslp_3_IRQn	DeepSleep	GPIO_STD Port #3 Interrupt
26	ioss_interrupts_gpio_dpslp_4_IRQn	DeepSleep	GPIO_STD Port #4 Interrupt
27	ioss_interrupts_gpio_dpslp_5_IRQn	DeepSleep	GPIO_STD Port #5 Interrupt
28	ioss_interrupts_gpio_dpslp_6_IRQn	DeepSleep	GPIO_STD Port #6 Interrupt
29	ioss_interrupts_gpio_dpslp_7_IRQn	DeepSleep	GPIO_STD Port #7 Interrupt
30	ioss_interrupts_gpio_dpslp_8_IRQn	DeepSleep	GPIO_STD Port #8 Interrupt
31	ioss_interrupts_gpio_dpslp_9_IRQn	DeepSleep	GPIO_STD Port #9 Interrupt
32	ioss_interrupts_gpio_dpslp_10_IRQn	DeepSleep	GPIO_STD Port #10 Interrupt
33	ioss_interrupts_gpio_dpslp_11_IRQn	DeepSleep	GPIO_STD Port #11 Interrupt
34	ioss_interrupts_gpio_dpslp_12_IRQn	DeepSleep	GPIO_STD Port #12 Interrupt
35	ioss_interrupts_gpio_dpslp_13_IRQn	DeepSleep	GPIO_STD Port #13 Interrupt
36	ioss_interrupts_gpio_dpslp_14_IRQn	DeepSleep	GPIO_STD Port #14 Interrupt
37	ioss_interrupts_gpio_dpslp_15_IRQn	DeepSleep	GPIO_STD Port #15 Interrupt
38	ioss_interrupts_gpio_dpslp_16_IRQn	DeepSleep	GPIO_STD Port #16 Interrupt
39	ioss_interrupts_gpio_dpslp_17_IRQn	DeepSleep	GPIO_STD Port #17 Interrupt
40	ioss_interrupts_gpio_dpslp_18_IRQn	DeepSleep	GPIO_STD Port #18 Interrupt
41	ioss_interrupts_gpio_dpslp_19_IRQn	DeepSleep	GPIO_STD Port #19 Interrupt
42	ioss_interrupts_gpio_dpslp_20_IRQn	DeepSleep	GPIO_STD Port #20 Interrupt

Interrupts and wake-up assignments

**Table 14-1 Peripheral interrupt assignments and wake-up sources** (continued)

Interrupt	Source	Power Mode	Description
43	ioss_interrupts_gpio_dp_slp_21_IRQn	DeepSleep	GPIO_STD Port #21 Interrupt
44	ioss_interrupts_gpio_dp_slp_22_IRQn	DeepSleep	GPIO_STD Port #22 Interrupt
45	ioss_interrupts_gpio_dp_slp_23_IRQn	DeepSleep	GPIO_STD Port #23 Interrupt
46	ioss_interrupts_gpio_dp_slp_28_IRQn	DeepSleep	GPIO_STD Port #28 Interrupt
47	ioss_interrupts_gpio_dp_slp_29_IRQn	DeepSleep	GPIO_STD Port #29 Interrupt
48	ioss_interrupts_gpio_dp_slp_30_IRQn	DeepSleep	GPIO_STD Port #30 Interrupt
49	ioss_interrupts_gpio_dp_slp_31_IRQn	DeepSleep	GPIO_STD Port #31 Interrupt
50	ioss_interrupts_gpio_dp_slp_32_IRQn	DeepSleep	GPIO_STD Port #32 Interrupt
51	ioss_interrupts_gpio_act_IRQn	Active	Consolidated Interrupt for HSIO_STD, All Ports
52	ioss_interrupts_gpio_act_24_IRQn	Active	HSIO_STD Port #24 Interrupt
53	ioss_interrupts_gpio_act_25_IRQn	Active	HSIO_STD Port #25 Interrupt
54	ioss_interrupts_gpio_act_26_IRQn	Active	HSIO_STD Port #26 Interrupt
55	ioss_interrupts_gpio_act_27_IRQn	Active	HSIO_STD Port #27 Interrupt
56	cpuss_interrupt_crypto_IRQn	Active	CRYPTO Accelerator Interrupt
57	cpuss_interrupt_fm_IRQn	Active	Flash Macro Interrupt
58	cpuss_interrupts_cm7_0_fp_IRQn	Active	CM7_0 Floating Point operation fault
59	cpuss_interrupts_cm7_1_fp_IRQn	Active	CM7_1 Floating Point operation fault
60	cpuss_interrupts_cm0_cti_0_IRQn	Active	CM0+ CTI (Cross Trigger Interface) #0
61	cpuss_interrupts_cm0_cti_1_IRQn	Active	CM0+ CTI #1
62	cpuss_interrupts_cm7_0_cti_0_IRQn	Active	CM7_0 CTI #0
63	cpuss_interrupts_cm7_0_cti_1_IRQn	Active	CM7_0 CTI #1
64	cpuss_interrupts_cm7_1_cti_0_IRQn	Active	CM7_1 CTI #0
65	cpuss_interrupts_cm7_1_cti_1_IRQn	Active	CM7_1 CTI #1
66	evtgen_0_interrupt_IRQn	Active	Event gen Active domain Interrupt
67	canfd_0_interrupt0_IRQn	Active	CAN0, Consolidated Interrupt #0 for all four channels
68	canfd_0_interrupt1_IRQn	Active	CAN0, Consolidated Interrupt #1 for all four channels
69	canfd_1_interrupt0_IRQn	Active	CAN1, Consolidated Interrupt #0 for all four channels
70	canfd_1_interrupt1_IRQn	Active	CAN1, Consolidated Interrupt #1 for all four channels
71	canfd_0_interrupts0_0_IRQn	Active	CAN0, Interrupt #0, Channel #0
72	canfd_0_interrupts0_1_IRQn	Active	CAN0, Interrupt #0, Channel #1
73	canfd_0_interrupts0_2_IRQn	Active	CAN0, Interrupt #0, Channel #2
74	canfd_0_interrupts0_3_IRQn	Active	CAN0, Interrupt #0, Channel #3
75	canfd_0_interrupts1_0_IRQn	Active	CAN0, Interrupt #1, Channel #0
76	canfd_0_interrupts1_1_IRQn	Active	CAN0, Interrupt #1, Channel #1
77	canfd_0_interrupts1_2_IRQn	Active	CAN0, Interrupt #1, Channel #2
78	canfd_0_interrupts1_3_IRQn	Active	CAN0, Interrupt #1, Channel #3
79	canfd_1_interrupts0_0_IRQn	Active	CAN1, Interrupt #0, Channel #0
80	canfd_1_interrupts0_1_IRQn	Active	CAN1, Interrupt #0, Channel #1
81	canfd_1_interrupts0_2_IRQn	Active	CAN1, Interrupt #0, Channel #2
82	canfd_1_interrupts0_3_IRQn	Active	CAN1, Interrupt #0, Channel #3
83	canfd_1_interrupts1_0_IRQn	Active	CAN1, Interrupt #1, Channel #0
84	canfd_1_interrupts1_1_IRQn	Active	CAN1, Interrupt #1, Channel #1
85	canfd_1_interrupts1_2_IRQn	Active	CAN1, Interrupt #1, Channel #2
86	canfd_1_interrupts1_3_IRQn	Active	CAN1, Interrupt #1, Channel #3
87	lin_0_interrupts_0_IRQn	Active	LIN0, Channel #0 Interrupt



Interrupts and wake-up assignments

**Table 14-1 Peripheral interrupt assignments and wake-up sources** (continued)

Interrupt	Source	Power Mode	Description
88	lin_0_interrupts_1_IRQn	Active	LIN0, Channel #1 Interrupt
89	lin_0_interrupts_2_IRQn	Active	LIN0, Channel #2 Interrupt
90	lin_0_interrupts_3_IRQn	Active	LIN0, Channel #3 Interrupt
91	lin_0_interrupts_4_IRQn	Active	LIN0, Channel #4 Interrupt
92	lin_0_interrupts_5_IRQn	Active	LIN0, Channel #5 Interrupt
93	lin_0_interrupts_6_IRQn	Active	LIN0, Channel #6 Interrupt
94	lin_0_interrupts_7_IRQn	Active	LIN0, Channel #7 Interrupt
95	lin_0_interrupts_8_IRQn	Active	LIN0, Channel #8 Interrupt
96	lin_0_interrupts_9_IRQn	Active	LIN0, Channel #9 Interrupt
97	lin_0_interrupts_10_IRQn	Active	LIN0, Channel #10 Interrupt
98	lin_0_interrupts_11_IRQn	Active	LIN0, Channel #11 Interrupt
99	lin_0_interrupts_12_IRQn	Active	LIN0, Channel #12 Interrupt
100	lin_0_interrupts_13_IRQn	Active	LIN0, Channel #13 Interrupt
101	lin_0_interrupts_14_IRQn	Active	LIN0, Channel #14 Interrupt
102	lin_0_interrupts_15_IRQn	Active	LIN0, Channel #15 Interrupt
103	scb_1_interrupt_IRQn	Active	SCB1 Interrupt
104	scb_2_interrupt_IRQn	Active	SCB2 Interrupt
105	scb_3_interrupt_IRQn	Active	SCB3 Interrupt
106	scb_4_interrupt_IRQn	Active	SCB4 Interrupt
107	scb_5_interrupt_IRQn	Active	SCB5 Interrupt
108	scb_6_interrupt_IRQn	Active	SCB6 Interrupt
109	scb_7_interrupt_IRQn	Active	SCB7 Interrupt
110	scb_8_interrupt_IRQn	Active	SCB8 Interrupt
111	scb_9_interrupt_IRQn	Active	SCB9 Interrupt
112	scb_10_interrupt_IRQn	Active	SCB10 Interrupt
113	pass_0_interrupts_sar_0_IRQn	Active	SAR0, Logical Channel #0 Interrupt
114	pass_0_interrupts_sar_1_IRQn	Active	SAR0, Logical Channel #1 Interrupt
115	pass_0_interrupts_sar_2_IRQn	Active	SAR0, Logical Channel #2 Interrupt
116	pass_0_interrupts_sar_3_IRQn	Active	SAR0, Logical Channel #3 Interrupt
117	pass_0_interrupts_sar_4_IRQn	Active	SAR0, Logical Channel #4 Interrupt
118	pass_0_interrupts_sar_5_IRQn	Active	SAR0, Logical Channel #5 Interrupt
119	pass_0_interrupts_sar_6_IRQn	Active	SAR0, Logical Channel #6 Interrupt
120	pass_0_interrupts_sar_7_IRQn	Active	SAR0, Logical Channel #7 Interrupt
121	pass_0_interrupts_sar_8_IRQn	Active	SAR0, Logical Channel #8 Interrupt
122	pass_0_interrupts_sar_9_IRQn	Active	SAR0, Logical Channel #9 Interrupt
123	pass_0_interrupts_sar_10_IRQn	Active	SAR0, Logical Channel #10 Interrupt
124	pass_0_interrupts_sar_11_IRQn	Active	SAR0, Logical Channel #11 Interrupt
125	pass_0_interrupts_sar_12_IRQn	Active	SAR0, Logical Channel #12 Interrupt
126	pass_0_interrupts_sar_13_IRQn	Active	SAR0, Logical Channel #13 Interrupt
127	pass_0_interrupts_sar_14_IRQn	Active	SAR0, Logical Channel #14 Interrupt
128	pass_0_interrupts_sar_15_IRQn	Active	SAR0, Logical Channel #15 Interrupt
129	pass_0_interrupts_sar_16_IRQn	Active	SAR0, Logical Channel #16 Interrupt
130	pass_0_interrupts_sar_17_IRQn	Active	SAR0, Logical Channel #17 Interrupt
131	pass_0_interrupts_sar_18_IRQn	Active	SAR0, Logical Channel #18 Interrupt
132	pass_0_interrupts_sar_19_IRQn	Active	SAR0, Logical Channel #19 Interrupt

Interrupts and wake-up assignments

**Table 14-1 Peripheral interrupt assignments and wake-up sources** (continued)

Interrupt	Source	Power Mode	Description
133	pass_0_interrupts_sar_20_IRQn	Active	SAR0, Logical Channel #20 Interrupt
134	pass_0_interrupts_sar_21_IRQn	Active	SAR0, Logical Channel #21 Interrupt
135	pass_0_interrupts_sar_22_IRQn	Active	SAR0, Logical Channel #22 Interrupt
136	pass_0_interrupts_sar_23_IRQn	Active	SAR0, Logical Channel #23 Interrupt
137	pass_0_interrupts_sar_24_IRQn	Active	SAR0, Logical Channel #24 Interrupt
138	pass_0_interrupts_sar_25_IRQn	Active	SAR0, Logical Channel #25 Interrupt
139	pass_0_interrupts_sar_26_IRQn	Active	SAR0, Logical Channel #26 Interrupt
140	pass_0_interrupts_sar_27_IRQn	Active	SAR0, Logical Channel #27 Interrupt
141	pass_0_interrupts_sar_28_IRQn	Active	SAR0, Logical Channel #28 Interrupt
142	pass_0_interrupts_sar_29_IRQn	Active	SAR0, Logical Channel #29 Interrupt
143	pass_0_interrupts_sar_30_IRQn	Active	SAR0, Logical Channel #30 Interrupt
144	pass_0_interrupts_sar_31_IRQn	Active	SAR0, Logical Channel #31 Interrupt
145	pass_0_interrupts_sar_32_IRQn	Active	SAR1, Logical Channel #0 Interrupt
146	pass_0_interrupts_sar_33_IRQn	Active	SAR1, Logical Channel #1 Interrupt
147	pass_0_interrupts_sar_34_IRQn	Active	SAR1, Logical Channel #2 Interrupt
148	pass_0_interrupts_sar_35_IRQn	Active	SAR1, Logical Channel #3 Interrupt
149	pass_0_interrupts_sar_36_IRQn	Active	SAR1, Logical Channel #4 Interrupt
150	pass_0_interrupts_sar_37_IRQn	Active	SAR1, Logical Channel #5 Interrupt
151	pass_0_interrupts_sar_38_IRQn	Active	SAR1, Logical Channel #6 Interrupt
152	pass_0_interrupts_sar_39_IRQn	Active	SAR1, Logical Channel #7 Interrupt
153	pass_0_interrupts_sar_40_IRQn	Active	SAR1, Logical Channel #8 Interrupt
154	pass_0_interrupts_sar_41_IRQn	Active	SAR1, Logical Channel #9 Interrupt
155	pass_0_interrupts_sar_42_IRQn	Active	SAR1, Logical Channel #10 Interrupt
156	pass_0_interrupts_sar_43_IRQn	Active	SAR1, Logical Channel #11 Interrupt
157	pass_0_interrupts_sar_44_IRQn	Active	SAR1, Logical Channel #12 Interrupt
158	pass_0_interrupts_sar_45_IRQn	Active	SAR1, Logical Channel #13 Interrupt
159	pass_0_interrupts_sar_46_IRQn	Active	SAR1, Logical Channel #14 Interrupt
160	pass_0_interrupts_sar_47_IRQn	Active	SAR1, Logical Channel #15 Interrupt
161	pass_0_interrupts_sar_48_IRQn	Active	SAR1, Logical Channel #16 Interrupt
162	pass_0_interrupts_sar_49_IRQn	Active	SAR1, Logical Channel #17 Interrupt
163	pass_0_interrupts_sar_50_IRQn	Active	SAR1, Logical Channel #18 Interrupt
164	pass_0_interrupts_sar_51_IRQn	Active	SAR1, Logical Channel #19 Interrupt
165	pass_0_interrupts_sar_52_IRQn	Active	SAR1, Logical Channel #20 Interrupt
166	pass_0_interrupts_sar_53_IRQn	Active	SAR1, Logical Channel #21 Interrupt
167	pass_0_interrupts_sar_54_IRQn	Active	SAR1, Logical Channel #22 Interrupt
168	pass_0_interrupts_sar_55_IRQn	Active	SAR1, Logical Channel #23 Interrupt
169	pass_0_interrupts_sar_56_IRQn	Active	SAR1, Logical Channel #24 Interrupt
170	pass_0_interrupts_sar_57_IRQn	Active	SAR1, Logical Channel #25 Interrupt
171	pass_0_interrupts_sar_58_IRQn	Active	SAR1, Logical Channel #26 Interrupt
172	pass_0_interrupts_sar_59_IRQn	Active	SAR1, Logical Channel #27 Interrupt
173	pass_0_interrupts_sar_60_IRQn	Active	SAR1, Logical Channel #28 Interrupt
174	pass_0_interrupts_sar_61_IRQn	Active	SAR1, Logical Channel #29 Interrupt
175	pass_0_interrupts_sar_62_IRQn	Active	SAR1, Logical Channel #30 Interrupt
176	pass_0_interrupts_sar_63_IRQn	Active	SAR1, Logical Channel #31 Interrupt
177	pass_0_interrupts_sar_64_IRQn	Active	SAR2, Logical Channel #0 Interrupt

Interrupts and wake-up assignments

**Table 14-1 Peripheral interrupt assignments and wake-up sources** (continued)

Interrupt	Source	Power Mode	Description
178	pass_0_interrupts_sar_65_IRQn	Active	SAR2, Logical Channel #1 Interrupt
179	pass_0_interrupts_sar_66_IRQn	Active	SAR2, Logical Channel #2 Interrupt
180	pass_0_interrupts_sar_67_IRQn	Active	SAR2, Logical Channel #3 Interrupt
181	pass_0_interrupts_sar_68_IRQn	Active	SAR2, Logical Channel #4 Interrupt
182	pass_0_interrupts_sar_69_IRQn	Active	SAR2, Logical Channel #5 Interrupt
183	pass_0_interrupts_sar_70_IRQn	Active	SAR2, Logical Channel #6 Interrupt
184	pass_0_interrupts_sar_71_IRQn	Active	SAR2, Logical Channel #7 Interrupt
185	cpuss_interrupts_dmac_0_IRQn	Active	CPUSS M-DMA0, Channel #0 Interrupt
186	cpuss_interrupts_dmac_1_IRQn	Active	CPUSS M-DMA0, Channel #1 Interrupt
187	cpuss_interrupts_dmac_2_IRQn	Active	CPUSS M-DMA0, Channel #2 Interrupt
188	cpuss_interrupts_dmac_3_IRQn	Active	CPUSS M-DMA0, Channel #3 Interrupt
189	cpuss_interrupts_dmac_4_IRQn	Active	CPUSS M-DMA0, Channel #4 Interrupt
190	cpuss_interrupts_dmac_5_IRQn	Active	CPUSS M-DMA0, Channel #5 Interrupt
191	cpuss_interrupts_dmac_6_IRQn	Active	CPUSS M-DMA0, Channel #6 Interrupt
192	cpuss_interrupts_dmac_7_IRQn	Active	CPUSS M-DMA0, Channel #7 Interrupt
193	cpuss_interrupts_dw0_0_IRQn	Active	CPUSS P-DMA0, Channel #0 Interrupt
194	cpuss_interrupts_dw0_1_IRQn	Active	CPUSS P-DMA0, Channel #1 Interrupt
195	cpuss_interrupts_dw0_2_IRQn	Active	CPUSS P-DMA0, Channel #2 Interrupt
196	cpuss_interrupts_dw0_3_IRQn	Active	CPUSS P-DMA0, Channel #3 Interrupt
197	cpuss_interrupts_dw0_4_IRQn	Active	CPUSS P-DMA0, Channel #4 Interrupt
198	cpuss_interrupts_dw0_5_IRQn	Active	CPUSS P-DMA0, Channel #5 Interrupt
199	cpuss_interrupts_dw0_6_IRQn	Active	CPUSS P-DMA0, Channel #6 Interrupt
200	cpuss_interrupts_dw0_7_IRQn	Active	CPUSS P-DMA0, Channel #7 Interrupt
201	cpuss_interrupts_dw0_8_IRQn	Active	CPUSS P-DMA0, Channel #8 Interrupt
202	cpuss_interrupts_dw0_9_IRQn	Active	CPUSS P-DMA0, Channel #9 Interrupt
203	cpuss_interrupts_dw0_10_IRQn	Active	CPUSS P-DMA0, Channel #10 Interrupt
204	cpuss_interrupts_dw0_11_IRQn	Active	CPUSS P-DMA0, Channel #11 Interrupt
205	cpuss_interrupts_dw0_12_IRQn	Active	CPUSS P-DMA0, Channel #12 Interrupt
206	cpuss_interrupts_dw0_13_IRQn	Active	CPUSS P-DMA0, Channel #13 Interrupt
207	cpuss_interrupts_dw0_14_IRQn	Active	CPUSS P-DMA0, Channel #14 Interrupt
208	cpuss_interrupts_dw0_15_IRQn	Active	CPUSS P-DMA0, Channel #15 Interrupt
209	cpuss_interrupts_dw0_16_IRQn	Active	CPUSS P-DMA0, Channel #16 Interrupt
210	cpuss_interrupts_dw0_17_IRQn	Active	CPUSS P-DMA0, Channel #17 Interrupt
211	cpuss_interrupts_dw0_18_IRQn	Active	CPUSS P-DMA0, Channel #18 Interrupt
212	cpuss_interrupts_dw0_19_IRQn	Active	CPUSS P-DMA0, Channel #19 Interrupt
213	cpuss_interrupts_dw0_20_IRQn	Active	CPUSS P-DMA0, Channel #20 Interrupt
214	cpuss_interrupts_dw0_21_IRQn	Active	CPUSS P-DMA0, Channel #21 Interrupt
215	cpuss_interrupts_dw0_22_IRQn	Active	CPUSS P-DMA0, Channel #22 Interrupt
216	cpuss_interrupts_dw0_23_IRQn	Active	CPUSS P-DMA0, Channel #23 Interrupt
217	cpuss_interrupts_dw0_24_IRQn	Active	CPUSS P-DMA0, Channel #24 Interrupt
218	cpuss_interrupts_dw0_25_IRQn	Active	CPUSS P-DMA0, Channel #25 Interrupt
219	cpuss_interrupts_dw0_26_IRQn	Active	CPUSS P-DMA0, Channel #26 Interrupt
220	cpuss_interrupts_dw0_27_IRQn	Active	CPUSS P-DMA0, Channel #27 Interrupt
221	cpuss_interrupts_dw0_28_IRQn	Active	CPUSS P-DMA0, Channel #28 Interrupt
222	cpuss_interrupts_dw0_29_IRQn	Active	CPUSS P-DMA0, Channel #29 Interrupt

Interrupts and wake-up assignments

**Table 14-1 Peripheral interrupt assignments and wake-up sources** (continued)

Interrupt	Source	Power Mode	Description
223	cpuss_interrupts_dw0_30_IRQn	Active	CPUSS P-DMA0, Channel #30 Interrupt
224	cpuss_interrupts_dw0_31_IRQn	Active	CPUSS P-DMA0, Channel #31 Interrupt
225	cpuss_interrupts_dw0_32_IRQn	Active	CPUSS P-DMA0, Channel #32 Interrupt
226	cpuss_interrupts_dw0_33_IRQn	Active	CPUSS P-DMA0, Channel #33 Interrupt
227	cpuss_interrupts_dw0_34_IRQn	Active	CPUSS P-DMA0, Channel #34 Interrupt
228	cpuss_interrupts_dw0_35_IRQn	Active	CPUSS P-DMA0, Channel #35 Interrupt
229	cpuss_interrupts_dw0_36_IRQn	Active	CPUSS P-DMA0, Channel #36 Interrupt
230	cpuss_interrupts_dw0_37_IRQn	Active	CPUSS P-DMA0, Channel #37 Interrupt
231	cpuss_interrupts_dw0_38_IRQn	Active	CPUSS P-DMA0, Channel #38 Interrupt
232	cpuss_interrupts_dw0_39_IRQn	Active	CPUSS P-DMA0, Channel #39 Interrupt
233	cpuss_interrupts_dw0_40_IRQn	Active	CPUSS P-DMA0, Channel #40 Interrupt
234	cpuss_interrupts_dw0_41_IRQn	Active	CPUSS P-DMA0, Channel #41 Interrupt
235	cpuss_interrupts_dw0_42_IRQn	Active	CPUSS P-DMA0, Channel #42 Interrupt
236	cpuss_interrupts_dw0_43_IRQn	Active	CPUSS P-DMA0, Channel #43 Interrupt
237	cpuss_interrupts_dw0_44_IRQn	Active	CPUSS P-DMA0, Channel #44 Interrupt
238	cpuss_interrupts_dw0_45_IRQn	Active	CPUSS P-DMA0, Channel #45 Interrupt
239	cpuss_interrupts_dw0_46_IRQn	Active	CPUSS P-DMA0, Channel #46 Interrupt
240	cpuss_interrupts_dw0_47_IRQn	Active	CPUSS P-DMA0, Channel #47 Interrupt
241	cpuss_interrupts_dw0_48_IRQn	Active	CPUSS P-DMA0, Channel #48 Interrupt
242	cpuss_interrupts_dw0_49_IRQn	Active	CPUSS P-DMA0, Channel #49 Interrupt
243	cpuss_interrupts_dw0_50_IRQn	Active	CPUSS P-DMA0, Channel #50 Interrupt
244	cpuss_interrupts_dw0_51_IRQn	Active	CPUSS P-DMA0, Channel #51 Interrupt
245	cpuss_interrupts_dw0_52_IRQn	Active	CPUSS P-DMA0, Channel #52 Interrupt
246	cpuss_interrupts_dw0_53_IRQn	Active	CPUSS P-DMA0, Channel #53 Interrupt
247	cpuss_interrupts_dw0_54_IRQn	Active	CPUSS P-DMA0, Channel #54 Interrupt
248	cpuss_interrupts_dw0_55_IRQn	Active	CPUSS P-DMA0, Channel #55 Interrupt
249	cpuss_interrupts_dw0_56_IRQn	Active	CPUSS P-DMA0, Channel #56 Interrupt
250	cpuss_interrupts_dw0_57_IRQn	Active	CPUSS P-DMA0, Channel #57 Interrupt
251	cpuss_interrupts_dw0_58_IRQn	Active	CPUSS P-DMA0, Channel #58 Interrupt
252	cpuss_interrupts_dw0_59_IRQn	Active	CPUSS P-DMA0, Channel #59 Interrupt
253	cpuss_interrupts_dw0_60_IRQn	Active	CPUSS P-DMA0, Channel #60 Interrupt
254	cpuss_interrupts_dw0_61_IRQn	Active	CPUSS P-DMA0, Channel #61 Interrupt
255	cpuss_interrupts_dw0_62_IRQn	Active	CPUSS P-DMA0, Channel #62 Interrupt
256	cpuss_interrupts_dw0_63_IRQn	Active	CPUSS P-DMA0, Channel #63 Interrupt
257	cpuss_interrupts_dw0_64_IRQn	Active	CPUSS P-DMA0, Channel #64 Interrupt
258	cpuss_interrupts_dw0_65_IRQn	Active	CPUSS P-DMA0, Channel #65 Interrupt
259	cpuss_interrupts_dw0_66_IRQn	Active	CPUSS P-DMA0, Channel #66 Interrupt
260	cpuss_interrupts_dw0_67_IRQn	Active	CPUSS P-DMA0, Channel #67 Interrupt
261	cpuss_interrupts_dw0_68_IRQn	Active	CPUSS P-DMA0, Channel #68 Interrupt
262	cpuss_interrupts_dw0_69_IRQn	Active	CPUSS P-DMA0, Channel #69 Interrupt
263	cpuss_interrupts_dw0_70_IRQn	Active	CPUSS P-DMA0, Channel #70 Interrupt
264	cpuss_interrupts_dw0_71_IRQn	Active	CPUSS P-DMA0, Channel #71 Interrupt
265	cpuss_interrupts_dw0_72_IRQn	Active	CPUSS P-DMA0, Channel #72 Interrupt
266	cpuss_interrupts_dw0_73_IRQn	Active	CPUSS P-DMA0, Channel #73 Interrupt
267	cpuss_interrupts_dw0_74_IRQn	Active	CPUSS P-DMA0, Channel #74 Interrupt

Interrupts and wake-up assignments

**Table 14-1 Peripheral interrupt assignments and wake-up sources** (continued)

Interrupt	Source	Power Mode	Description
268	cpuss_interrupts_dw0_75_IRQn	Active	CPUSS P-DMA0, Channel #75 Interrupt
269	cpuss_interrupts_dw0_76_IRQn	Active	CPUSS P-DMA0, Channel #76 Interrupt
270	cpuss_interrupts_dw0_77_IRQn	Active	CPUSS P-DMA0, Channel #77 Interrupt
271	cpuss_interrupts_dw0_78_IRQn	Active	CPUSS P-DMA0, Channel #78 Interrupt
272	cpuss_interrupts_dw0_79_IRQn	Active	CPUSS P-DMA0, Channel #79 Interrupt
273	cpuss_interrupts_dw0_80_IRQn	Active	CPUSS P-DMA0, Channel #80 Interrupt
274	cpuss_interrupts_dw0_81_IRQn	Active	CPUSS P-DMA0, Channel #81 Interrupt
275	cpuss_interrupts_dw0_82_IRQn	Active	CPUSS P-DMA0, Channel #82 Interrupt
276	cpuss_interrupts_dw0_83_IRQn	Active	CPUSS P-DMA0, Channel #83 Interrupt
277	cpuss_interrupts_dw0_84_IRQn	Active	CPUSS P-DMA0, Channel #84 Interrupt
278	cpuss_interrupts_dw0_85_IRQn	Active	CPUSS P-DMA0, Channel #85 Interrupt
279	cpuss_interrupts_dw0_86_IRQn	Active	CPUSS P-DMA0, Channel #86 Interrupt
280	cpuss_interrupts_dw0_87_IRQn	Active	CPUSS P-DMA0, Channel #87 Interrupt
281	cpuss_interrupts_dw0_88_IRQn	Active	CPUSS P-DMA0, Channel #88 Interrupt
282	cpuss_interrupts_dw0_89_IRQn	Active	CPUSS P-DMA0, Channel #89 Interrupt
283	cpuss_interrupts_dw0_90_IRQn	Active	CPUSS P-DMA0, Channel #90 Interrupt
284	cpuss_interrupts_dw0_91_IRQn	Active	CPUSS P-DMA0, Channel #91 Interrupt
285	cpuss_interrupts_dw0_92_IRQn	Active	CPUSS P-DMA0, Channel #92 Interrupt
286	cpuss_interrupts_dw0_93_IRQn	Active	CPUSS P-DMA0, Channel #93 Interrupt
287	cpuss_interrupts_dw0_94_IRQn	Active	CPUSS P-DMA0, Channel #94 Interrupt
288	cpuss_interrupts_dw0_95_IRQn	Active	CPUSS P-DMA0, Channel #95 Interrupt
289	cpuss_interrupts_dw0_96_IRQn	Active	CPUSS P-DMA0, Channel #96 Interrupt
290	cpuss_interrupts_dw0_97_IRQn	Active	CPUSS P-DMA0, Channel #97 Interrupt
291	cpuss_interrupts_dw0_98_IRQn	Active	CPUSS P-DMA0, Channel #98 Interrupt
292	cpuss_interrupts_dw0_99_IRQn	Active	CPUSS P-DMA0, Channel #99 Interrupt
293	cpuss_interrupts_dw1_0_IRQn	Active	CPUSS P-DMA1, Channel #0 Interrupt
294	cpuss_interrupts_dw1_1_IRQn	Active	CPUSS P-DMA1, Channel #1 Interrupt
295	cpuss_interrupts_dw1_2_IRQn	Active	CPUSS P-DMA1, Channel #2 Interrupt
296	cpuss_interrupts_dw1_3_IRQn	Active	CPUSS P-DMA1, Channel #3 Interrupt
297	cpuss_interrupts_dw1_4_IRQn	Active	CPUSS P-DMA1, Channel #4 Interrupt
298	cpuss_interrupts_dw1_5_IRQn	Active	CPUSS P-DMA1, Channel #5 Interrupt
299	cpuss_interrupts_dw1_6_IRQn	Active	CPUSS P-DMA1, Channel #6 Interrupt
300	cpuss_interrupts_dw1_7_IRQn	Active	CPUSS P-DMA1, Channel #7 Interrupt
301	cpuss_interrupts_dw1_8_IRQn	Active	CPUSS P-DMA1, Channel #8 Interrupt
302	cpuss_interrupts_dw1_9_IRQn	Active	CPUSS P-DMA1, Channel #9 Interrupt
303	cpuss_interrupts_dw1_10_IRQn	Active	CPUSS P-DMA1, Channel #10 Interrupt
304	cpuss_interrupts_dw1_11_IRQn	Active	CPUSS P-DMA1, Channel #11 Interrupt
305	cpuss_interrupts_dw1_12_IRQn	Active	CPUSS P-DMA1, Channel #12 Interrupt
306	cpuss_interrupts_dw1_13_IRQn	Active	CPUSS P-DMA1, Channel #13 Interrupt
307	cpuss_interrupts_dw1_14_IRQn	Active	CPUSS P-DMA1, Channel #14 Interrupt
308	cpuss_interrupts_dw1_15_IRQn	Active	CPUSS P-DMA1, Channel #15 Interrupt
309	cpuss_interrupts_dw1_16_IRQn	Active	CPUSS P-DMA1, Channel #16 Interrupt
310	cpuss_interrupts_dw1_17_IRQn	Active	CPUSS P-DMA1, Channel #17 Interrupt
311	cpuss_interrupts_dw1_18_IRQn	Active	CPUSS P-DMA1, Channel #18 Interrupt
312	cpuss_interrupts_dw1_19_IRQn	Active	CPUSS P-DMA1, Channel #19 Interrupt

Interrupts and wake-up assignments

**Table 14-1 Peripheral interrupt assignments and wake-up sources** (continued)

Interrupt	Source	Power Mode	Description
313	cpuss_interrupts_dw1_20_IRQn	Active	CPUSS P-DMA1, Channel #20 Interrupt
314	cpuss_interrupts_dw1_21_IRQn	Active	CPUSS P-DMA1, Channel #21 Interrupt
315	cpuss_interrupts_dw1_22_IRQn	Active	CPUSS P-DMA1, Channel #22 Interrupt
316	cpuss_interrupts_dw1_23_IRQn	Active	CPUSS P-DMA1, Channel #23 Interrupt
317	cpuss_interrupts_dw1_24_IRQn	Active	CPUSS P-DMA1, Channel #24 Interrupt
318	cpuss_interrupts_dw1_25_IRQn	Active	CPUSS P-DMA1, Channel #25 Interrupt
319	cpuss_interrupts_dw1_26_IRQn	Active	CPUSS P-DMA1, Channel #26 Interrupt
320	cpuss_interrupts_dw1_27_IRQn	Active	CPUSS P-DMA1, Channel #27 Interrupt
321	cpuss_interrupts_dw1_28_IRQn	Active	CPUSS P-DMA1, Channel #28 Interrupt
322	cpuss_interrupts_dw1_29_IRQn	Active	CPUSS P-DMA1, Channel #29 Interrupt
323	cpuss_interrupts_dw1_30_IRQn	Active	CPUSS P-DMA1, Channel #30 Interrupt
324	cpuss_interrupts_dw1_31_IRQn	Active	CPUSS P-DMA1, Channel #31 Interrupt
325	cpuss_interrupts_dw1_32_IRQn	Active	CPUSS P-DMA1, Channel #32 Interrupt
326	cpuss_interrupts_dw1_33_IRQn	Active	CPUSS P-DMA1, Channel #33 Interrupt
327	cpuss_interrupts_dw1_34_IRQn	Active	CPUSS P-DMA1, Channel #34 Interrupt
328	cpuss_interrupts_dw1_35_IRQn	Active	CPUSS P-DMA1, Channel #35 Interrupt
329	cpuss_interrupts_dw1_36_IRQn	Active	CPUSS P-DMA1, Channel #36 Interrupt
330	cpuss_interrupts_dw1_37_IRQn	Active	CPUSS P-DMA1, Channel #37 Interrupt
331	cpuss_interrupts_dw1_38_IRQn	Active	CPUSS P-DMA1, Channel #38 Interrupt
332	cpuss_interrupts_dw1_39_IRQn	Active	CPUSS P-DMA1, Channel #39 Interrupt
333	cpuss_interrupts_dw1_40_IRQn	Active	CPUSS P-DMA1, Channel #40 Interrupt
334	cpuss_interrupts_dw1_41_IRQn	Active	CPUSS P-DMA1, Channel #41 Interrupt
335	cpuss_interrupts_dw1_42_IRQn	Active	CPUSS P-DMA1, Channel #42 Interrupt
336	cpuss_interrupts_dw1_43_IRQn	Active	CPUSS P-DMA1, Channel #43 Interrupt
337	cpuss_interrupts_dw1_44_IRQn	Active	CPUSS P-DMA1, Channel #44 Interrupt
338	cpuss_interrupts_dw1_45_IRQn	Active	CPUSS P-DMA1, Channel #45 Interrupt
339	cpuss_interrupts_dw1_46_IRQn	Active	CPUSS P-DMA1, Channel #46 Interrupt
340	cpuss_interrupts_dw1_47_IRQn	Active	CPUSS P-DMA1, Channel #47 Interrupt
341	cpuss_interrupts_dw1_48_IRQn	Active	CPUSS P-DMA1, Channel #48 Interrupt
342	cpuss_interrupts_dw1_49_IRQn	Active	CPUSS P-DMA1, Channel #49 Interrupt
343	cpuss_interrupts_dw1_50_IRQn	Active	CPUSS P-DMA1, Channel #50 Interrupt
344	cpuss_interrupts_dw1_51_IRQn	Active	CPUSS P-DMA1, Channel #51 Interrupt
345	cpuss_interrupts_dw1_52_IRQn	Active	CPUSS P-DMA1, Channel #52 Interrupt
346	cpuss_interrupts_dw1_53_IRQn	Active	CPUSS P-DMA1, Channel #53 Interrupt
347	cpuss_interrupts_dw1_54_IRQn	Active	CPUSS P-DMA1, Channel #54 Interrupt
348	cpuss_interrupts_dw1_55_IRQn	Active	CPUSS P-DMA1, Channel #55 Interrupt
349	cpuss_interrupts_dw1_56_IRQn	Active	CPUSS P-DMA1, Channel #56 Interrupt
350	cpuss_interrupts_dw1_57_IRQn	Active	CPUSS P-DMA1, Channel #57 Interrupt
351	tcpwm_0_interrupts_0_IRQn	Active	TCPWM0 Group #0, Counter #0 Interrupt
352	tcpwm_0_interrupts_1_IRQn	Active	TCPWM0 Group #0, Counter #1 Interrupt
353	tcpwm_0_interrupts_2_IRQn	Active	TCPWM0 Group #0, Counter #2 Interrupt
354	tcpwm_0_interrupts_3_IRQn	Active	TCPWM0 Group #0, Counter #3 Interrupt
355	tcpwm_0_interrupts_4_IRQn	Active	TCPWM0 Group #0, Counter #4 Interrupt
356	tcpwm_0_interrupts_5_IRQn	Active	TCPWM0 Group #0, Counter #5 Interrupt
357	tcpwm_0_interrupts_6_IRQn	Active	TCPWM0 Group #0, Counter #6 Interrupt

Interrupts and wake-up assignments

**Table 14-1 Peripheral interrupt assignments and wake-up sources** (continued)

Interrupt	Source	Power Mode	Description
358	tcpwm_0_interrupts_7_IRQn	Active	TCPWM0 Group #0, Counter #7 Interrupt
359	tcpwm_0_interrupts_8_IRQn	Active	TCPWM0 Group #0, Counter #8 Interrupt
360	tcpwm_0_interrupts_9_IRQn	Active	TCPWM0 Group #0, Counter #9 Interrupt
361	tcpwm_0_interrupts_10_IRQn	Active	TCPWM0 Group #0, Counter #10 Interrupt
362	tcpwm_0_interrupts_11_IRQn	Active	TCPWM0 Group #0, Counter #11 Interrupt
363	tcpwm_0_interrupts_12_IRQn	Active	TCPWM0 Group #0, Counter #12 Interrupt
364	tcpwm_0_interrupts_13_IRQn	Active	TCPWM0 Group #0, Counter #13 Interrupt
365	tcpwm_0_interrupts_14_IRQn	Active	TCPWM0 Group #0, Counter #14 Interrupt
366	tcpwm_0_interrupts_15_IRQn	Active	TCPWM0 Group #0, Counter #15 Interrupt
367	tcpwm_0_interrupts_16_IRQn	Active	TCPWM0 Group #0, Counter #16 Interrupt
368	tcpwm_0_interrupts_17_IRQn	Active	TCPWM0 Group #0, Counter #17 Interrupt
369	tcpwm_0_interrupts_18_IRQn	Active	TCPWM0 Group #0, Counter #18 Interrupt
370	tcpwm_0_interrupts_19_IRQn	Active	TCPWM0 Group #0, Counter #19 Interrupt
371	tcpwm_0_interrupts_20_IRQn	Active	TCPWM0 Group #0, Counter #20 Interrupt
372	tcpwm_0_interrupts_21_IRQn	Active	TCPWM0 Group #0, Counter #21 Interrupt
373	tcpwm_0_interrupts_22_IRQn	Active	TCPWM0 Group #0, Counter #22 Interrupt
374	tcpwm_0_interrupts_23_IRQn	Active	TCPWM0 Group #0, Counter #23 Interrupt
375	tcpwm_0_interrupts_24_IRQn	Active	TCPWM0 Group #0, Counter #24 Interrupt
376	tcpwm_0_interrupts_25_IRQn	Active	TCPWM0 Group #0, Counter #25 Interrupt
377	tcpwm_0_interrupts_26_IRQn	Active	TCPWM0 Group #0, Counter #26 Interrupt
378	tcpwm_0_interrupts_27_IRQn	Active	TCPWM0 Group #0, Counter #27 Interrupt
379	tcpwm_0_interrupts_28_IRQn	Active	TCPWM0 Group #0, Counter #28 Interrupt
380	tcpwm_0_interrupts_29_IRQn	Active	TCPWM0 Group #0, Counter #29 Interrupt
381	tcpwm_0_interrupts_30_IRQn	Active	TCPWM0 Group #0, Counter #30 Interrupt
382	tcpwm_0_interrupts_31_IRQn	Active	TCPWM0 Group #0, Counter #31 Interrupt
383	tcpwm_0_interrupts_32_IRQn	Active	TCPWM0 Group #0, Counter #32 Interrupt
384	tcpwm_0_interrupts_33_IRQn	Active	TCPWM0 Group #0, Counter #33 Interrupt
385	tcpwm_0_interrupts_34_IRQn	Active	TCPWM0 Group #0, Counter #34 Interrupt
386	tcpwm_0_interrupts_35_IRQn	Active	TCPWM0 Group #0, Counter #35 Interrupt
387	tcpwm_0_interrupts_36_IRQn	Active	TCPWM0 Group #0, Counter #36 Interrupt
388	tcpwm_0_interrupts_37_IRQn	Active	TCPWM0 Group #0, Counter #37 Interrupt
389	tcpwm_0_interrupts_38_IRQn	Active	TCPWM0 Group #0, Counter #38 Interrupt
390	tcpwm_0_interrupts_39_IRQn	Active	TCPWM0 Group #0, Counter #39 Interrupt
391	tcpwm_0_interrupts_40_IRQn	Active	TCPWM0 Group #0, Counter #40 Interrupt
392	tcpwm_0_interrupts_41_IRQn	Active	TCPWM0 Group #0, Counter #41 Interrupt
393	tcpwm_0_interrupts_42_IRQn	Active	TCPWM0 Group #0, Counter #42 Interrupt
394	tcpwm_0_interrupts_43_IRQn	Active	TCPWM0 Group #0, Counter #43 Interrupt
395	tcpwm_0_interrupts_44_IRQn	Active	TCPWM0 Group #0, Counter #44 Interrupt
396	tcpwm_0_interrupts_45_IRQn	Active	TCPWM0 Group #0, Counter #45 Interrupt
397	tcpwm_0_interrupts_46_IRQn	Active	TCPWM0 Group #0, Counter #46 Interrupt
398	tcpwm_0_interrupts_47_IRQn	Active	TCPWM0 Group #0, Counter #47 Interrupt
399	tcpwm_0_interrupts_48_IRQn	Active	TCPWM0 Group #0, Counter #48 Interrupt
400	tcpwm_0_interrupts_49_IRQn	Active	TCPWM0 Group #0, Counter #49 Interrupt
401	tcpwm_0_interrupts_50_IRQn	Active	TCPWM0 Group #0, Counter #50 Interrupt
402	tcpwm_0_interrupts_51_IRQn	Active	TCPWM0 Group #0, Counter #51 Interrupt

Interrupts and wake-up assignments

**Table 14-1 Peripheral interrupt assignments and wake-up sources** (continued)

Interrupt	Source	Power Mode	Description
403	tcpwm_0_interrupts_52_IRQn	Active	TCPWM0 Group #0, Counter #52 Interrupt
404	tcpwm_0_interrupts_53_IRQn	Active	TCPWM0 Group #0, Counter #53 Interrupt
405	tcpwm_0_interrupts_54_IRQn	Active	TCPWM0 Group #0, Counter #54 Interrupt
406	tcpwm_0_interrupts_55_IRQn	Active	TCPWM0 Group #0, Counter #55 Interrupt
407	tcpwm_0_interrupts_56_IRQn	Active	TCPWM0 Group #0, Counter #56 Interrupt
408	tcpwm_0_interrupts_57_IRQn	Active	TCPWM0 Group #0, Counter #57 Interrupt
409	tcpwm_0_interrupts_58_IRQn	Active	TCPWM0 Group #0, Counter #58 Interrupt
410	tcpwm_0_interrupts_59_IRQn	Active	TCPWM0 Group #0, Counter #59 Interrupt
411	tcpwm_0_interrupts_60_IRQn	Active	TCPWM0 Group #0, Counter #60 Interrupt
412	tcpwm_0_interrupts_61_IRQn	Active	TCPWM0 Group #0, Counter #61 Interrupt
413	tcpwm_0_interrupts_62_IRQn	Active	TCPWM0 Group #0, Counter #62 Interrupt
414	tcpwm_0_interrupts_256_IRQn	Active	TCPWM0 Group #1, Counter #0 Interrupt
415	tcpwm_0_interrupts_257_IRQn	Active	TCPWM0 Group #1, Counter #1 Interrupt
416	tcpwm_0_interrupts_258_IRQn	Active	TCPWM0 Group #1, Counter #2 Interrupt
417	tcpwm_0_interrupts_259_IRQn	Active	TCPWM0 Group #1, Counter #3 Interrupt
418	tcpwm_0_interrupts_260_IRQn	Active	TCPWM0 Group #1, Counter #4 Interrupt
419	tcpwm_0_interrupts_261_IRQn	Active	TCPWM0 Group #1, Counter #5 Interrupt
420	tcpwm_0_interrupts_262_IRQn	Active	TCPWM0 Group #1, Counter #6 Interrupt
421	tcpwm_0_interrupts_263_IRQn	Active	TCPWM0 Group #1, Counter #7 Interrupt
422	tcpwm_0_interrupts_264_IRQn	Active	TCPWM0 Group #1, Counter #8 Interrupt
423	tcpwm_0_interrupts_265_IRQn	Active	TCPWM0 Group #1, Counter #9 Interrupt
424	tcpwm_0_interrupts_266_IRQn	Active	TCPWM0 Group #1, Counter #10 Interrupt
425	tcpwm_0_interrupts_267_IRQn	Active	TCPWM0 Group #1, Counter #11 Interrupt
426	tcpwm_0_interrupts_512_IRQn	Active	TCPWM0 Group #2, Counter #0 Interrupt
427	tcpwm_0_interrupts_513_IRQn	Active	TCPWM0 Group #2, Counter #1 Interrupt
428	tcpwm_0_interrupts_514_IRQn	Active	TCPWM0 Group #2, Counter #2 Interrupt
429	tcpwm_0_interrupts_515_IRQn	Active	TCPWM0 Group #2, Counter #3 Interrupt
430	tcpwm_0_interrupts_516_IRQn	Active	TCPWM0 Group #2, Counter #4 Interrupt
431	tcpwm_0_interrupts_517_IRQn	Active	TCPWM0 Group #2, Counter #5 Interrupt
432	tcpwm_0_interrupts_518_IRQn	Active	TCPWM0 Group #2, Counter #6 Interrupt
433	tcpwm_0_interrupts_519_IRQn	Active	TCPWM0 Group #2, Counter #7 Interrupt
434	smif_0_interrupt_IRQn	Active	SMIF0 (QSPI) interrupt
435	eth_0_interrupt_eth_0_IRQn	Active	Ethernet0 interrupt for dma_priority_queue0
436	eth_0_interrupt_eth_2_IRQn	Active	Ethernet0 interrupt for dma_priority_queue2
437	eth_0_interrupt_eth_1_IRQn	Active	Ethernet0 interrupt for dma_priority_queue1
438	sdhc_0_interrupt_general_IRQn	Active	SDHC0 general interrupt
439	sdhc_0_interrupt_wakeup_IRQn	Active	SDHC0 wakeup interrupt
440	audioss_0_interrupt_i2s_IRQn	Active	AUDIOSS I <sup>2</sup> S0 interrupt
441	audioss_1_interrupt_i2s_IRQn	Active	AUDIOSS I <sup>2</sup> S1 interrupt
442	audioss_2_interrupt_i2s_IRQn	Active	AUDIOSS I <sup>2</sup> S2 interrupt



Core interrupt types

## 15 Core interrupt types

**Table 15-1 Core interrupt types**

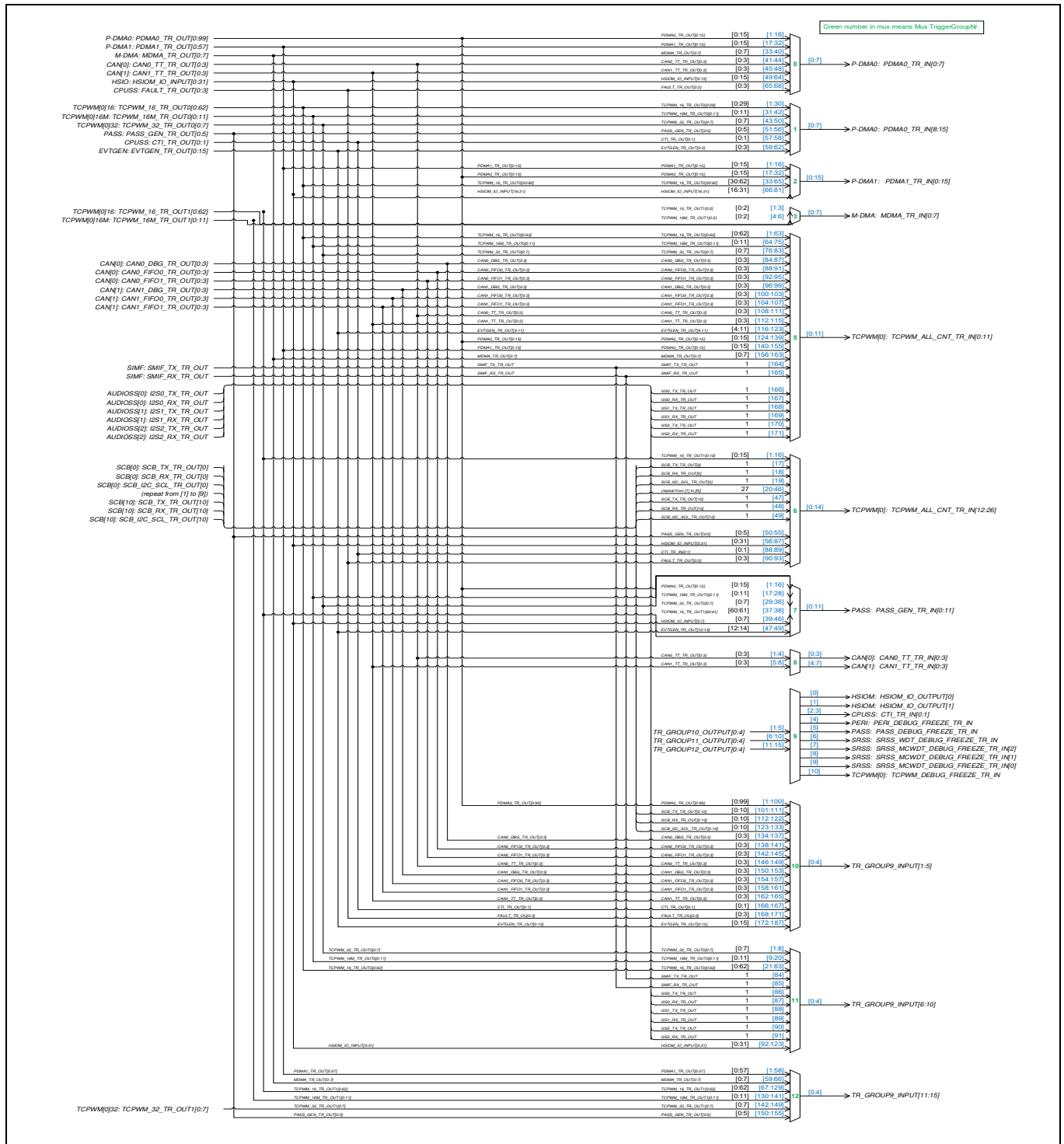
Interrupt	Source	Power mode	Description
0	CPUIntIdx0_IRQn <sup>[33]</sup>	DeepSleep	CPU User Interrupt #0
1	CPUIntIdx1_IRQn <sup>[33]</sup>	DeepSleep	CPU User Interrupt #1
2	CPUIntIdx2_IRQn	DeepSleep	CPU User Interrupt #2
3	CPUIntIdx3_IRQn	DeepSleep	CPU User Interrupt #3
4	CPUIntIdx4_IRQn	DeepSleep	CPU User Interrupt #4
5	CPUIntIdx5_IRQn	DeepSleep	CPU User Interrupt #5
6	CPUIntIdx6_IRQn	DeepSleep	CPU User Interrupt #6
7	CPUIntIdx7_IRQn	DeepSleep	CPU User Interrupt #7
8	Internal0_IRQn	Active	Internal Software Interrupt #0
9	Internal1_IRQn	Active	Internal Software Interrupt #1
10	Internal2_IRQn	Active	Internal Software Interrupt #2
11	Internal3_IRQn	Active	Internal Software Interrupt #3
12	Internal4_IRQn	Active	Internal Software Interrupt #4
13	Internal5_IRQn	Active	Internal Software Interrupt #5
14	Internal6_IRQn	Active	Internal Software Interrupt #6
15	Internal7_IRQn	Active	Internal Software Interrupt #7

**Note**

33. User interrupt cannot be used for CM0+ application, as it is used internally by system calls. Note, this does not impact CM7 application.

Trigger multiplexer

# 16 Trigger multiplexer



**Figure 16-1** Trigger multiplexer group [34]

**Note**

34. This diagram shows only the TRIG\_LABEL; the final trigger formation is based on the formula TRIG\_{PREFIX(IN/OUT)}\_{[MUX\_x]}\_{[TRIG\_LABEL]} and the information provided in [Table 17-1](#) and [Table 18-1](#).

Triggers group inputs

## 17 Triggers group inputs

**Table 17-1 Trigger inputs**

Input	Trigger	Description
<b>MUX Group 0: P-DMA0 trigger multiplexer</b>		
1:16 <sup>[35]</sup>	PDMA0_TR_OUT[0:15]	Allow P-DMA0 to chain to itself. Channels 0 - 15 are dedicated for chaining
17:32	PDMA1_TR_OUT[0:15]	Cross connections from P-DMA1 to P-DMA0, Channels 0-15 are used
33:40	MDMA_TR_OUT[0:7]	Cross connections from M-DMA0 to P-DMA0
41:44	CAN0_TT_TR_OUT[0:3]	CAN0 TT Sync Outputs
45:48	CAN1_TT_TR_OUT[0:3]	CAN1 TT Sync Outputs
49:64	HSIOM_IO_INPUT[0:15]	I/O Inputs
65:68	FAULT_TR_OUT[0:3]	Fault events
<b>MUX Group 1: TCPWM to P-DMA0 trigger multiplexer</b>		
1:30	TCPWM_16_TR_OUT0[0:29]	16-bit TCPWM0 counters
31:42	TCPWM_16M_TR_OUT0[0:11]	16-bit Motor enhanced TCPWM0 counters
43:50	TCPWM_32_TR_OUT0[0:7]	32-bit TCPWM0 counters
51:56	PASS_GEN_TR_OUT[0:5]	PASS SAR events
57:58	CTI_TR_OUT[0:1]	Trace events
59:62	EVTGEN_TR_OUT[0:3]	Event generator triggers
<b>MUX Group 2: P-DMA1 trigger multiplexer</b>		
1:16	PDMA1_TR_OUT[0:15]	Allow P-DMA1 to chain to itself. Channels 0–15 are dedicated for chaining
17:32	PDMA0_TR_OUT[0:15]	Cross connections from P-DMA0 to P-DMA1, channels 0–15 are used
33:65	TCPWM_16_TR_OUT0[30:62]	16-bit TCPWM0 counters
66:81	HSIOM_IO_INPUT[16:31]	I/O Inputs
<b>MUX Group 3: M-DMA0 trigger multiplexer</b>		
1:3	TCPWM_16_TR_OUT1[0:2]	16-bit TCPWM0 counters
4:6	TCPWM_16M_TR_OUT1[0:2]	16-bit Motor enhanced TCPWM0 counters
<b>MUX Group 5: TCPWM0 Loop back trigger multiplexer</b>		
1:63	TCPWM_16_TR_OUT0[0:62]	16-bit TCPWM0 counters
64:75	TCPWM_16M_TR_OUT0[0:11]	16-bit Motor enhanced TCPWM0 counters
76:83	TCPWM_32_TR_OUT0[0:7]	32-bit TCPWM0 counters
84:87	CAN0_DBG_TR_OUT[0:3]	CAN0 M-DMA0 events
88:91	CAN0_FIFO0_TR_OUT[0:3]	CAN0 FIFO0 events
92:95	CAN0_FIFO1_TR_OUT[0:3]	CAN0 FIFO1 events
96:99	CAN1_DBG_TR_OUT[0:3]	CAN1 M-DMA0 events
100:103	CAN1_FIFO0_TR_OUT[0:3]	CAN1 FIFO0 events
104:107	CAN1_FIFO1_TR_OUT[0:3]	CAN1 FIFO1 events
108:111	CAN0_TT_TR_OUT[0:3]	CAN0 TT Sync Outputs
112:115	CAN1_TT_TR_OUT[0:3]	CAN1 TT Sync Outputs
116:123	EVTGEN_TR_OUT[4:11]	Event generator triggers
124:139	PDMA0_TR_OUT[0:15]	P-DMA0 general-purpose triggers
140:155	PDMA1_TR_OUT[0:15]	P-DMA1 general-purpose triggers
156:163	MDMA_TR_OUT[0:7]	M-DMA0 events
164	SMIF_TX_TR_OUT	SMIF0 TX trigger
165	SMIF_RX_TR_OUT	SMIF0 RX trigger
166	I2S0_TX_TR_OUT	I <sup>2</sup> S0 TX trigger

**Note**

35. “x:y” depicts a range starting from ‘x’ through ‘y’.

Triggers group inputs

**Table 17-1 Trigger inputs** (continued)

Input	Trigger	Description
167	I2S0_RX_TR_OUT	I <sup>2</sup> S0 RX trigger
168	I2S1_TX_TR_OUT	I <sup>2</sup> S1 TX trigger
169	I2S1_RX_TR_OUT	I <sup>2</sup> S1 RX trigger
170	I2S2_TX_TR_OUT	I <sup>2</sup> S2 TX trigger
171	I2S2_RX_TR_OUT	I <sup>2</sup> S2 RX trigger
<b>MUX Group 6: TCPWM0 trigger Multiplexer</b>		
1:16	TCPWM_16_TR_OUT1[0:15]	16-bit TCPWM0 counters
17	SCB_TX_TR_OUT[0]	SCB0 TX trigger
18	SCB_RX_TR_OUT[0]	SCB0 RX trigger
19	SCB_I2C_SCL_TR_OUT[0]	SCB0 I <sup>2</sup> C trigger
20	SCB_TX_TR_OUT[1]	SCB1 TX trigger
21	SCB_RX_TR_OUT[1]	SCB1 RX trigger
22	SCB_I2C_SCL_TR_OUT[1]	SCB1 I <sup>2</sup> C trigger
23	SCB_TX_TR_OUT[2]	SCB2 TX trigger
24	SCB_RX_TR_OUT[2]	SCB2 RX trigger
25	SCB_I2C_SCL_TR_OUT[2]	SCB2 I <sup>2</sup> C trigger
26	SCB_TX_TR_OUT[3]	SCB3 TX trigger
27	SCB_RX_TR_OUT[3]	SCB3 RX trigger
28	SCB_I2C_SCL_TR_OUT[3]	SCB3 I <sup>2</sup> C trigger
29	SCB_TX_TR_OUT[4]	SCB4 TX trigger
30	SCB_RX_TR_OUT[4]	SCB4 RX trigger
31	SCB_I2C_SCL_TR_OUT[4]	SCB4 I <sup>2</sup> C trigger
32	SCB_TX_TR_OUT[5]	SCB5 TX trigger
33	SCB_RX_TR_OUT[5]	SCB5 RX trigger
34	SCB_I2C_SCL_TR_OUT[5]	SCB5 I <sup>2</sup> C trigger
35	SCB_TX_TR_OUT[6]	SCB6 TX trigger
36	SCB_RX_TR_OUT[6]	SCB6 RX trigger
37	SCB_I2C_SCL_TR_OUT[6]	SCB6 I <sup>2</sup> C trigger
38	SCB_TX_TR_OUT[7]	SCB7 TX trigger
39	SCB_RX_TR_OUT[7]	SCB7 RX trigger
40	SCB_I2C_SCL_TR_OUT[7]	SCB7 I <sup>2</sup> C trigger
41	SCB_TX_TR_OUT[8]	SCB8 TX trigger
42	SCB_RX_TR_OUT[8]	SCB8 RX trigger
43	SCB_I2C_SCL_TR_OUT[8]	SCB8 I <sup>2</sup> C trigger
44	SCB_TX_TR_OUT[9]	SCB9 TX trigger
45	SCB_RX_TR_OUT[9]	SCB9 RX trigger
46	SCB_I2C_SCL_TR_OUT[9]	SCB9 I <sup>2</sup> C trigger
47	SCB_TX_TR_OUT[10]	SCB10 TX trigger
48	SCB_RX_TR_OUT[10]	SCB10 RX trigger
49	SCB_I2C_SCL_TR_OUT[10]	SCB10 I <sup>2</sup> C trigger
50:55	PASS_GEN_TR_OUT[0:5]	PASS SAR events
56:87	HSIOM_IO_INPUT[0:31]	I/O Inputs
88:89	CTI_TR_IN[0:1]	Trace events
90:93	FAULT_TR_OUT[0:3]	Fault events

Triggers group inputs

**Table 17-1 Trigger inputs** (continued)

Input	Trigger	Description
<b>MUX Group 7: PASS trigger multiplexer</b>		
1:16	PDMA0_TR_OUT[0:15]	General-purpose P-DMA0 triggers
17:28	TCPWM_16M_TR_OUT0[0:11]	16-bit Motor enhanced TCPWM0 counters
29:36	TCPWM_32_TR_OUT0[0:7]	32-bit TCPWM0 counters
37:38	TCPWM_16_TR_OUT1[60:61]	16-bit TCPWM0 counters
39:46	HSIOM_IO_INPUT[0:7]	I/O Inputs
47:49	EVTGEN_TR_OUT[12:14]	Event generator triggers
<b>MUX Group 8: CAN TT Sync</b>		
1:4	CAN0_TT_TR_OUT[0:3]	CAN0 TT Sync Outputs
5:8	CAN1_TT_TR_OUT[0:3]	CAN1 TT Sync Outputs
<b>MUX Group 9: Debug multiplexer</b>		
1:5	TR_GROUP10_OUTPUT[0:4]	Output from debug reduction multiplexer #1
6:10	TR_GROUP11_OUTPUT[0:4]	Output from debug reduction multiplexer #2
11:15	TR_GROUP12_OUTPUT[0:4]	Output from debug reduction multiplexer #3
<b>MUX Group 10: Debug Reduction #1</b>		
1:100	PDMA0_TR_OUT[0:99]	General-purpose P-DMA0 triggers
101:111	SCB_TX_TR_OUT[0:10]	SCB TX triggers
112:122	SCB_RX_TR_OUT[0:10]	SCB RX triggers
123:133	SCB_I2C_SCL_TR_OUT[0:10]	SCB I <sup>2</sup> C triggers
134:137	CAN0_DBG_TR_OUT[0:3]	CAN0 DMA
138:141	CAN0_FIFO0_TR_OUT[0:3]	CAN0 FIFO0
142:145	CAN0_FIFO1_TR_OUT[0:3]	CAN0 FIFO1
146:149	CAN0_TT_TR_OUT[0:3]	CAN0 TT Sync Outputs
150:153	CAN1_DBG_TR_OUT[0:3]	CAN1 DMA
154:157	CAN1_FIFO0_TR_OUT[0:3]	CAN1 FIFO0
158:161	CAN1_FIFO1_TR_OUT[0:3]	CAN1 FIFO1
162:165	CAN1_TT_TR_OUT[0:3]	CAN1 TT Sync Outputs
166:167	CTI_TR_OUT[0:1]	Trace events
168:171	FAULT_TR_OUT[0:3]	Fault events
172:187	EVTGEN_TR_OUT[0:15]	EVTGEN Triggers
<b>MUX Group 11: Debug Reduction #2</b>		
1:8	TCPWM_32_TR_OUT0[0:7]	32-bit TCPWM0 counters
9:20	TCPWM_16M_TR_OUT0[0:11]	16-bit Motor enhanced TCPWM0 counters
21:83	TCPWM_16_TR_OUT0[0:62]	16-bit TCPWM0 counters
84	SMIF_TX_TR_OUT	SMIF TX trigger
85	SMIF_RX_TR_OUT	SMIF RX trigger
86	I2S0_TX_TR_OUT	I <sup>2</sup> S0 TX trigger
87	I2S0_RX_TR_OUT	I <sup>2</sup> S0 RX trigger
88	I2S1_TX_TR_OUT	I <sup>2</sup> S1 TX trigger
89	I2S1_RX_TR_OUT	I <sup>2</sup> S1 RX trigger
90	I2S2_TX_TR_OUT	I <sup>2</sup> S2 TX trigger
91	I2S2_RX_TR_OUT	I <sup>2</sup> S2 RX trigger
92:123	HSIOM_IO_INPUT[0:31]	I/O inputs
<b>MUX Group 12: Debug Reduction #3</b>		
1:58	PDMA1_TR_OUT[0:57]	General-purpose P-DMA1 triggers

Triggers group inputs

**Table 17-1** Trigger inputs (continued)

Input	Trigger	Description
59:66	MDMA_TR_OUT[0:7]	M-DMA0 triggers
67:129	TCPWM_16_TR_OUT1[0:62]	16-bit TCPWM0 counters
130:141	TCPWM_16M_TR_OUT1[0:11]	16-bit Motor enhanced TCPWM0 counters
142:149	TCPWM_32_TR_OUT1[0:7]	32-bit TCPWM0 counters
150:155	PASS_GEN_TR_OUT[0:5]	PASS SAR events

Triggers group outputs

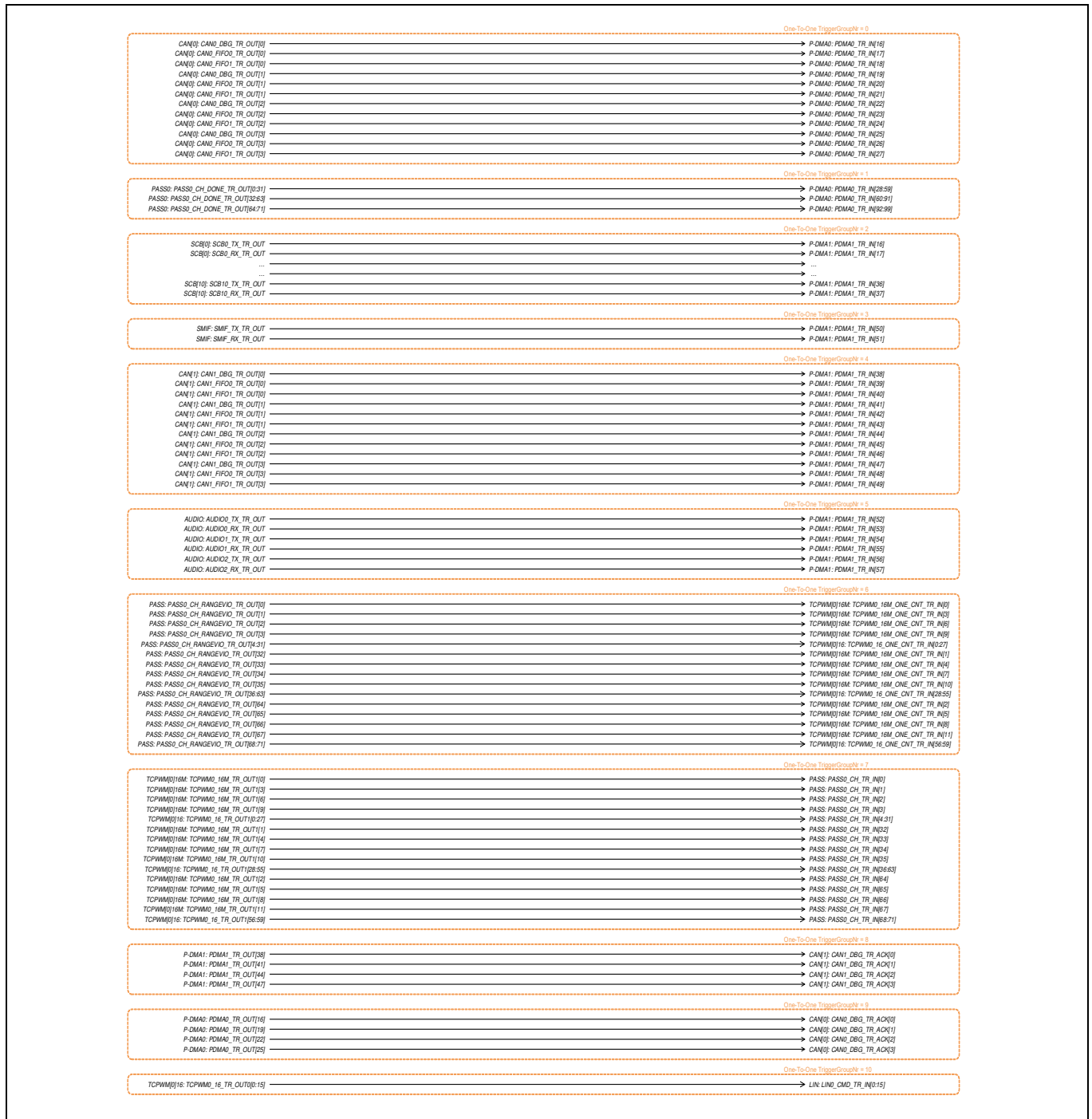
## 18 Triggers group outputs

**Table 18-1 Trigger outputs**

Output	Trigger	Description
<b>MUX Group 0:</b> P-DMA0 trigger multiplexer		
0:7	PDMA0_TR_IN[0:7]	Triggers to P-DMA0[0:7]
<b>MUX Group 1:</b> TCPWM to P-DMA0 trigger multiplexer		
0:7	PDMA0_TR_IN[8:15]	Triggers to P-DMA0[8:15]
<b>MUX Group 2:</b> P-DMA1 trigger multiplexer		
0:15	PDMA1_TR_IN[0:15]	Triggers to P-DMA1
<b>MUX Group 3:</b> M-DMA0 trigger multiplexer		
0:7	MDMA_TR_IN[0:7]	Triggers to M-DMA0
<b>MUX Group 5:</b> TCPWM0 loop-back multiplexer		
0:11	TCPWM_ALL_CNT_TR_IN[0:11]	Triggers to TCPWM0
<b>MUX Group 6:</b> TCPWM0 Trigger Multiplexer		
0:14	TCPWM_ALL_CNT_TR_IN[12:26]	Triggers to TCPWM0
<b>MUX Group 7:</b> PASS trigger multiplexer		
0:11	PASS_GEN_TR_IN[0:11]	Triggers to SAR ADCs
<b>MUX Group 8:</b> CAN TT Sync		
0:3	CAN0_TT_TR_IN[0:3]	CAN0 TT Sync Inputs
4:7	CAN1_TT_TR_IN[0:3]	CAN1 TT Sync Inputs
<b>MUX Group 9:</b> Debug multiplexer		
0	HSIOM_IO_OUTPUT[0]	To HSIOM as an output
1	HSIOM_IO_OUTPUT[1]	To HSIOM as an output
2:3	CTI_TR_IN[0:1]	To the Cross Trigger system
4	PERI_DEBUG_FREEZE_TR_IN	Signal to Freeze PERI operation
5	PASS_DEBUG_FREEZE_TR_IN	Signal to Freeze PASS operation
6	SRSS_WDT_DEBUG_FREEZE_TR_IN	Signal to Freeze WDT operation
7	SRSS_MCWDT_DEBUG_FREEZE_TR_IN[2]	Signal to Freeze MCWDT2 operation
8	SRSS_MCWDT_DEBUG_FREEZE_TR_IN[1]	Signal to Freeze MCWDT1 operation
9	SRSS_MCWDT_DEBUG_FREEZE_TR_IN[0]	Signal to Freeze MCWDT0 operation
10	TCPWM_DEBUG_FREEZE_TR_IN	Signal to Freeze TCPWM0 operation
<b>MUX Group 10:</b> Debug Reduction #1		
0:4	TR_GROUP9_INPUT[1:5]	To main debug multiplexer
<b>MUX Group 11:</b> Debug Reduction #2		
0:4	TR_GROUP9_INPUT[6:10]	To main debug multiplexer
<b>MUX Group 12:</b> Debug Reduction #3		
0:4	TR_GROUP9_INPUT[11:15]	To main debug multiplexer

Triggers one-to-one

## 19 Triggers one-to-one



**Figure 19-1 Triggers one-to-one**<sup>[36]</sup>

**Note**

36.The diagram shows only the TRIG\_LABEL; the final trigger formation is based on the formula TRIG\_{PREFIX(IN\_1TO1/OUT\_1-TO1)}\_{X}\_{TRIG\_LABEL} and the information provided in [Table 19-1](#).



Triggers one-to-one

**Table 19-1 One-to-one triggers**

Input	Trigger in	Trigger out	Description
<b>MUX Group 0: CAN0 to P-DMA0 Triggers</b>			
0	CAN0_DBG_TR_OUT[0]	PDMA0_TR_IN[16]	CAN0, Channel #0 P-DMA0 trigger
1	CAN0_FIFO0_TR_OUT[0]	PDMA0_TR_IN[17]	CAN0, Channel #0 FIFO0 trigger
2	CAN0_FIFO1_TR_OUT[0]	PDMA0_TR_IN[18]	CAN0, Channel #0 FIFO1 trigger
3	CAN0_DBG_TR_OUT[1]	PDMA0_TR_IN[19]	CAN0, Channel #1 P-DMA0 trigger
4	CAN0_FIFO0_TR_OUT[1]	PDMA0_TR_IN[20]	CAN0, Channel #1 FIFO0 trigger
5	CAN0_FIFO1_TR_OUT[1]	PDMA0_TR_IN[21]	CAN0, Channel #1 FIFO1 trigger
6	CAN0_DBG_TR_OUT[2]	PDMA0_TR_IN[22]	CAN0, Channel #2 P-DMA0 trigger
7	CAN0_FIFO0_TR_OUT[2]	PDMA0_TR_IN[23]	CAN0, Channel #2 FIFO0 trigger
8	CAN0_FIFO1_TR_OUT[2]	PDMA0_TR_IN[24]	CAN0, Channel #2 FIFO1 trigger
9	CAN0_DBG_TR_OUT[3]	PDMA0_TR_IN[25]	CAN0, Channel #3 P-DMA0 trigger
10	CAN0_FIFO0_TR_OUT[3]	PDMA0_TR_IN[26]	CAN0, Channel #3 FIFO0 trigger
11	CAN0_FIFO1_TR_OUT[3]	PDMA0_TR_IN[27]	CAN0, Channel #3 FIFO1 trigger
<b>MUX Group 1: PASS SARx to P-DMA0 direct connect</b>			
0:31	PASS0_CH_DONE_TR_OUT[0:31]	PDMA0_TR_IN[28:59]	PASS SAR0 [0:31] to P-DMA0 direct connect
32:63	PASS0_CH_DONE_TR_OUT[32:63]	PDMA0_TR_IN[60:91]	PASS SAR1 [0:31] to P-DMA0 direct connect
64:71	PASS0_CH_DONE_TR_OUT[64:71]	PDMA0_TR_IN[92:99]	PASS SAR2 [0:7] to P-DMA0 direct connect
<b>MUX Group 2: SCBx to P-DMA1 Triggers</b>			
0	SCB0_TX_TR_OUT	PDMA1_TR_IN[16]	SCB0 to P-DMA1 Trigger
1	SCB0_RX_TR_OUT	PDMA1_TR_IN[17]	SCB0 to P-DMA1 Trigger
2	SCB1_TX_TR_OUT	PDMA1_TR_IN[18]	SCB1 to P-DMA1 Trigger
3	SCB1_RX_TR_OUT	PDMA1_TR_IN[19]	SCB1 to P-DMA1 Trigger
4	SCB2_TX_TR_OUT	PDMA1_TR_IN[20]	SCB2 to P-DMA1 Trigger
5	SCB2_RX_TR_OUT	PDMA1_TR_IN[21]	SCB2 to P-DMA1 Trigger
6	SCB3_TX_TR_OUT	PDMA1_TR_IN[22]	SCB3 to P-DMA1 Trigger
7	SCB3_RX_TR_OUT	PDMA1_TR_IN[23]	SCB3 to P-DMA1 Trigger
8	SCB4_TX_TR_OUT	PDMA1_TR_IN[24]	SCB4 to P-DMA1 Trigger
9	SCB4_RX_TR_OUT	PDMA1_TR_IN[25]	SCB4 to P-DMA1 Trigger
10	SCB5_TX_TR_OUT	PDMA1_TR_IN[26]	SCB5 to P-DMA1 Trigger
11	SCB5_RX_TR_OUT	PDMA1_TR_IN[27]	SCB5 to P-DMA1 Trigger
12	SCB6_TX_TR_OUT	PDMA1_TR_IN[28]	SCB6 to P-DMA1 Trigger
13	SCB6_RX_TR_OUT	PDMA1_TR_IN[29]	SCB6 to P-DMA1 Trigger
14	SCB7_TX_TR_OUT	PDMA1_TR_IN[30]	SCB7 to P-DMA1 Trigger
15	SCB7_RX_TR_OUT	PDMA1_TR_IN[31]	SCB7 to P-DMA1 Trigger
16	SCB8_TX_TR_OUT	PDMA1_TR_IN[32]	SCB8 to P-DMA1 Trigger
17	SCB8_RX_TR_OUT	PDMA1_TR_IN[33]	SCB8 to P-DMA1 Trigger
18	SCB9_TX_TR_OUT	PDMA1_TR_IN[34]	SCB9 to P-DMA1 Trigger
19	SCB9_RX_TR_OUT	PDMA1_TR_IN[35]	SCB9 to P-DMA1 Trigger
20	SCB10_TX_TR_OUT	PDMA1_TR_IN[36]	SCB10 to P-DMA1 Trigger
21	SCB10_RX_TR_OUT	PDMA1_TR_IN[37]	SCB10 to P-DMA1 Trigger
<b>MUX Group 3: SMIF0 to P-DMA1 Triggers</b>			
0	SMIF_TX_TR_OUT	PDMA1_TR_IN[50]	SMIF0 to P-DMA1 Trigger
1	SMIF_RX_TR_OUT	PDMA1_TR_IN[51]	SMIF0 to P-DMA1 Trigger
<b>MUX Group 4: CAN1 to P-DMA1 triggers</b>			
0	CAN1_DBG_TR_OUT[0]	PDMA1_TR_IN[38]	CAN1 Channel #0 P-DMA1 trigger
1	CAN1_FIFO0_TR_OUT[0]	PDMA1_TR_IN[39]	CAN1 Channel #0 FIFO0 trigger
2	CAN1_FIFO1_TR_OUT[0]	PDMA1_TR_IN[40]	CAN1 Channel #0 FIFO1 trigger
3	CAN1_DBG_TR_OUT[1]	PDMA1_TR_IN[41]	CAN1 Channel #1 P-DMA1 trigger
4	CAN1_FIFO0_TR_OUT[1]	PDMA1_TR_IN[42]	CAN1 Channel #1 FIFO0 trigger

Triggers one-to-one

**Table 19-1 One-to-one triggers (continued)**

Input	Trigger in	Trigger out	Description
5	CAN1_FIFO1_TR_OUT[1]	PDMA1_TR_IN[43]	CAN1 Channel #1 FIFO1 trigger
6	CAN1_DBG_TR_OUT[2]	PDMA1_TR_IN[44]	CAN1 Channel #2 P-DMA1 trigger
7	CAN1_FIFO0_TR_OUT[2]	PDMA1_TR_IN[45]	CAN1 Channel #2 FIFO0 trigger
8	CAN1_FIFO1_TR_OUT[2]	PDMA1_TR_IN[46]	CAN1 Channel #2 FIFO1 trigger
9	CAN1_DBG_TR_OUT[3]	PDMA1_TR_IN[47]	CAN1 Channel #3 P-DMA1 trigger
10	CAN1_FIFO0_TR_OUT[3]	PDMA1_TR_IN[48]	CAN1 Channel #3 FIFO0 trigger
11	CAN1_FIFO1_TR_OUT[3]	PDMA1_TR_IN[49]	CAN1 Channel #3 FIFO1 trigger
<b>MUX Group 5: I<sup>2</sup>Sx to P-DMA1 Triggers</b>			
0	AUDIO0_TX_TR_OUT	PDMA1_TR_IN[52]	I <sup>2</sup> S0 TX to P-DMA1 trigger
1	AUDIO0_RX_TR_OUT	PDMA1_TR_IN[53]	I <sup>2</sup> S0 RX to P-DMA1 trigger
2	AUDIO1_TX_TR_OUT	PDMA1_TR_IN[54]	I <sup>2</sup> S1 TX to P-DMA1 trigger
3	AUDIO1_RX_TR_OUT	PDMA1_TR_IN[55]	I <sup>2</sup> S1 RX to P-DMA1 trigger
4	AUDIO2_TX_TR_OUT	PDMA1_TR_IN[56]	I <sup>2</sup> S2 TX to P-DMA1 trigger
5	AUDIO2_RX_TR_OUT	PDMA1_TR_IN[57]	I <sup>2</sup> S2 RX to P-DMA1 trigger
<b>MUX Group 6: PASS SARx to TCPWM0 direct connect</b>			
0	PASS0_CH_RANGEVIO_TR_OUT[0]	TCPWM0_16M_ONE_CNT_TR_IN[0]	SAR0 ch#0 <sup>[37]</sup> , range violation to TCPWM0 Group #1 Counter #00 trig = 2
1	PASS0_CH_RANGEVIO_TR_OUT[1]	TCPWM0_16M_ONE_CNT_TR_IN[3]	SAR0 ch#1, range violation to TCPWM0 Group #1 Counter #03 trig = 2
2	PASS0_CH_RANGEVIO_TR_OUT[2]	TCPWM0_16M_ONE_CNT_TR_IN[6]	SAR0 ch#2, range violation to TCPWM0 Group #1 Counter #06 trig = 2
3	PASS0_CH_RANGEVIO_TR_OUT[3]	TCPWM0_16M_ONE_CNT_TR_IN[9]	SAR0 ch#3, range violation to TCPWM0 Group #1 Counter #09 trig = 2
4	PASS0_CH_RANGEVIO_TR_OUT[4]	TCPWM0_16M_ONE_CNT_TR_IN[12]	SAR0 ch#4, range violation to TCPWM0 Group #0 Counter #00 trig = 2
5	PASS0_CH_RANGEVIO_TR_OUT[5]	TCPWM0_16M_ONE_CNT_TR_IN[15]	SAR0 ch#5, range violation to TCPWM0 Group #0 Counter #01 trig = 2
6	PASS0_CH_RANGEVIO_TR_OUT[6]	TCPWM0_16M_ONE_CNT_TR_IN[18]	SAR0 ch#6, range violation to TCPWM0 Group #0 Counter #02 trig = 2
7	PASS0_CH_RANGEVIO_TR_OUT[7]	TCPWM0_16M_ONE_CNT_TR_IN[21]	SAR0 ch#7, range violation to TCPWM0 Group #0 Counter #03 trig = 2
8	PASS0_CH_RANGEVIO_TR_OUT[8]	TCPWM0_16M_ONE_CNT_TR_IN[24]	SAR0 ch#8, range violation to TCPWM0 Group #0 Counter #04 trig = 2
9	PASS0_CH_RANGEVIO_TR_OUT[9]	TCPWM0_16M_ONE_CNT_TR_IN[27]	SAR0 ch#9, range violation to TCPWM0 Group #0 Counter #05 trig = 2
10	PASS0_CH_RANGEVIO_TR_OUT[10]	TCPWM0_16M_ONE_CNT_TR_IN[30]	SAR0 ch#10, range violation to TCPWM0 Group #0 Counter #06 trig = 2
11	PASS0_CH_RANGEVIO_TR_OUT[11]	TCPWM0_16M_ONE_CNT_TR_IN[33]	SAR0 ch#11, range violation to TCPWM0 Group #0 Counter #07 trig = 2
12	PASS0_CH_RANGEVIO_TR_OUT[12]	TCPWM0_16M_ONE_CNT_TR_IN[36]	SAR0 ch#12, range violation to TCPWM0 Group #0 Counter #08 trig = 2
13	PASS0_CH_RANGEVIO_TR_OUT[13]	TCPWM0_16M_ONE_CNT_TR_IN[39]	SAR0 ch#13, range violation to TCPWM0 Group #0 Counter #09 trig = 2
14	PASS0_CH_RANGEVIO_TR_OUT[14]	TCPWM0_16M_ONE_CNT_TR_IN[42]	SAR0 ch#14, range violation to TCPWM0 Group #0 Counter #10 trig = 2
15	PASS0_CH_RANGEVIO_TR_OUT[15]	TCPWM0_16M_ONE_CNT_TR_IN[45]	SAR0 ch#15, range violation to TCPWM0 Group #0 Counter #11 trig = 2
16	PASS0_CH_RANGEVIO_TR_OUT[16]	TCPWM0_16M_ONE_CNT_TR_IN[48]	SAR0 ch#16, range violation to TCPWM0 Group #0 Counter #12 trig = 2
17	PASS0_CH_RANGEVIO_TR_OUT[17]	TCPWM0_16M_ONE_CNT_TR_IN[51]	SAR0 ch#17, range violation to TCPWM0 Group #0 Counter #13 trig = 2
18	PASS0_CH_RANGEVIO_TR_OUT[18]	TCPWM0_16M_ONE_CNT_TR_IN[54]	SAR0 ch#18, range violation to TCPWM0 Group #0 Counter #14 trig = 2
19	PASS0_CH_RANGEVIO_TR_OUT[19]	TCPWM0_16M_ONE_CNT_TR_IN[57]	SAR0 ch#19, range violation to TCPWM0 Group #0 Counter #15 trig = 2
20	PASS0_CH_RANGEVIO_TR_OUT[20]	TCPWM0_16M_ONE_CNT_TR_IN[60]	SAR0 ch#20, range violation to TCPWM0 Group #0 Counter #16 trig = 2
21	PASS0_CH_RANGEVIO_TR_OUT[21]	TCPWM0_16M_ONE_CNT_TR_IN[63]	SAR0 ch#21, range violation to TCPWM0 Group #0 Counter #17 trig = 2

**Note**

37. Each logical channel of SAR ADC[x] can be connected to any of the SAR ADC[x]\_y external pin. (x = 0, or 1, or 2 and y=0 to 31).

Triggers one-to-one

**Table 19-1 One-to-one triggers** (continued)

Input	Trigger in	Trigger out	Description
22	PASS0_CH_RANGEVIO_TR_OUT[22]	TCPWM0_16_ONE_CNT_TR_IN[18]	SAR0 ch#22, range violation to TCPWM0 Group #0 Counter #18 trig = 2
23	PASS0_CH_RANGEVIO_TR_OUT[23]	TCPWM0_16_ONE_CNT_TR_IN[19]	SAR0 ch#23, range violation to TCPWM0 Group #0 Counter #19 trig = 2
24	PASS0_CH_RANGEVIO_TR_OUT[24]	TCPWM0_16_ONE_CNT_TR_IN[20]	SAR0 ch#24, range violation to TCPWM0 Group #0 Counter #20 trig = 2
25	PASS0_CH_RANGEVIO_TR_OUT[25]	TCPWM0_16_ONE_CNT_TR_IN[21]	SAR0 ch#25, range violation to TCPWM0 Group #0 Counter #21 trig = 2
26	PASS0_CH_RANGEVIO_TR_OUT[26]	TCPWM0_16_ONE_CNT_TR_IN[22]	SAR0 ch#26, range violation to TCPWM0 Group #0 Counter #22 trig = 2
27	PASS0_CH_RANGEVIO_TR_OUT[27]	TCPWM0_16_ONE_CNT_TR_IN[23]	SAR0 ch#27, range violation to TCPWM0 Group #0 Counter #23 trig = 2
28	PASS0_CH_RANGEVIO_TR_OUT[28]	TCPWM0_16_ONE_CNT_TR_IN[24]	SAR0 ch#28, range violation to TCPWM0 Group #0 Counter #24 trig = 2
29	PASS0_CH_RANGEVIO_TR_OUT[29]	TCPWM0_16_ONE_CNT_TR_IN[25]	SAR0 ch#29, range violation to TCPWM0 Group #0 Counter #25 trig = 2
30	PASS0_CH_RANGEVIO_TR_OUT[30]	TCPWM0_16_ONE_CNT_TR_IN[26]	SAR0 ch#30, range violation to TCPWM0 Group #0 Counter #26 trig = 2
31	PASS0_CH_RANGEVIO_TR_OUT[31]	TCPWM0_16_ONE_CNT_TR_IN[27]	SAR0 ch#31, range violation to TCPWM0 Group #0 Counter #27 trig = 2
32	PASS0_CH_RANGEVIO_TR_OUT[32]	TCPWM0_16M_ONE_CNT_TR_IN[1]	SAR1 ch#0, range violation to TCPWM0 Group #1 Counter #01 trig = 2
33	PASS0_CH_RANGEVIO_TR_OUT[33]	TCPWM0_16M_ONE_CNT_TR_IN[4]	SAR1 ch#1, range violation to TCPWM0 Group #1 Counter #04 trig = 2
34	PASS0_CH_RANGEVIO_TR_OUT[34]	TCPWM0_16M_ONE_CNT_TR_IN[7]	SAR1 ch#2, range violation to TCPWM0 Group #1 Counter #07 trig = 2
35	PASS0_CH_RANGEVIO_TR_OUT[35]	TCPWM0_16M_ONE_CNT_TR_IN[10]	SAR1 ch#3, range violation to TCPWM0 Group #1 Counter #10 trig = 2
36	PASS0_CH_RANGEVIO_TR_OUT[36]	TCPWM0_16_ONE_CNT_TR_IN[28]	SAR1 ch#4, range violation to TCPWM0 Group #0 Counter #28 trig = 2
37	PASS0_CH_RANGEVIO_TR_OUT[37]	TCPWM0_16_ONE_CNT_TR_IN[29]	SAR1 ch#5, range violation to TCPWM0 Group #0 Counter #29 trig = 2
38	PASS0_CH_RANGEVIO_TR_OUT[38]	TCPWM0_16_ONE_CNT_TR_IN[30]	SAR1 ch#6, range violation to TCPWM0 Group #0 Counter #30 trig = 2
39	PASS0_CH_RANGEVIO_TR_OUT[39]	TCPWM0_16_ONE_CNT_TR_IN[31]	SAR1 ch#7, range violation to TCPWM0 Group #0 Counter #31 trig = 2
40	PASS0_CH_RANGEVIO_TR_OUT[40]	TCPWM0_16_ONE_CNT_TR_IN[32]	SAR1 ch#8, range violation to TCPWM0 Group #0 Counter #32 trig = 2
41	PASS0_CH_RANGEVIO_TR_OUT[41]	TCPWM0_16_ONE_CNT_TR_IN[33]	SAR1 ch#9, range violation to TCPWM0 Group #0 Counter #33 trig = 2
42	PASS0_CH_RANGEVIO_TR_OUT[42]	TCPWM0_16_ONE_CNT_TR_IN[34]	SAR1 ch#10, range violation to TCPWM0 Group #0 Counter #34 trig = 2
43	PASS0_CH_RANGEVIO_TR_OUT[43]	TCPWM0_16_ONE_CNT_TR_IN[35]	SAR1 ch#11, range violation to TCPWM0 Group #0 Counter #35 trig = 2
44	PASS0_CH_RANGEVIO_TR_OUT[44]	TCPWM0_16_ONE_CNT_TR_IN[36]	SAR1 ch#12, range violation to TCPWM0 Group #0 Counter #36 trig = 2
45	PASS0_CH_RANGEVIO_TR_OUT[45]	TCPWM0_16_ONE_CNT_TR_IN[37]	SAR1 ch#13, range violation to TCPWM0 Group #0 Counter #37 trig = 2
46	PASS0_CH_RANGEVIO_TR_OUT[46]	TCPWM0_16_ONE_CNT_TR_IN[38]	SAR1 ch#14, range violation to TCPWM0 Group #0 Counter #38 trig = 2
47	PASS0_CH_RANGEVIO_TR_OUT[47]	TCPWM0_16_ONE_CNT_TR_IN[39]	SAR1 ch#15, range violation to TCPWM0 Group #0 Counter #39 trig = 2
48	PASS0_CH_RANGEVIO_TR_OUT[48]	TCPWM0_16_ONE_CNT_TR_IN[40]	SAR1 ch#16, range violation to TCPWM0 Group #0 Counter #40 trig = 2
49	PASS0_CH_RANGEVIO_TR_OUT[49]	TCPWM0_16_ONE_CNT_TR_IN[41]	SAR1 ch#17, range violation to TCPWM0 Group #0 Counter #41 trig = 2
50	PASS0_CH_RANGEVIO_TR_OUT[50]	TCPWM0_16_ONE_CNT_TR_IN[42]	SAR1 ch#18, range violation to TCPWM0 Group #0 Counter #42 trig = 2
51	PASS0_CH_RANGEVIO_TR_OUT[51]	TCPWM0_16_ONE_CNT_TR_IN[43]	SAR1 ch#19, range violation to TCPWM0 Group #0 Counter #43 trig = 2
52	PASS0_CH_RANGEVIO_TR_OUT[52]	TCPWM0_16_ONE_CNT_TR_IN[44]	SAR1 ch#20, range violation to TCPWM0 Group #0 Counter #44 trig = 2
53	PASS0_CH_RANGEVIO_TR_OUT[53]	TCPWM0_16_ONE_CNT_TR_IN[45]	SAR1 ch#21, range violation to TCPWM0 Group #0 Counter #45 trig = 2
54	PASS0_CH_RANGEVIO_TR_OUT[54]	TCPWM0_16_ONE_CNT_TR_IN[46]	SAR1 ch#22, range violation to TCPWM0 Group #0 Counter #46 trig = 2
55	PASS0_CH_RANGEVIO_TR_OUT[55]	TCPWM0_16_ONE_CNT_TR_IN[47]	SAR1 ch#23, range violation to TCPWM0 Group #0 Counter #47 trig = 2

Triggers one-to-one

**Table 19-1 One-to-one triggers (continued)**

Input	Trigger in	Trigger out	Description
56	PASS0_CH_RANGEVIO_TR_OUT[56]	TCPWM0_16_ONE_CNT_TR_IN[48]	SAR1 ch#24, range violation to TCPWM0 Group #0 Counter #48 trig = 2
57	PASS0_CH_RANGEVIO_TR_OUT[57]	TCPWM0_16_ONE_CNT_TR_IN[49]	SAR1 ch#25, range violation to TCPWM0 Group #0 Counter #49 trig = 2
58	PASS0_CH_RANGEVIO_TR_OUT[58]	TCPWM0_16_ONE_CNT_TR_IN[50]	SAR1 ch#26, range violation to TCPWM0 Group #0 Counter #50 trig = 2
59	PASS0_CH_RANGEVIO_TR_OUT[59]	TCPWM0_16_ONE_CNT_TR_IN[51]	SAR1 ch#27, range violation to TCPWM0 Group #0 Counter #51 trig = 2
60	PASS0_CH_RANGEVIO_TR_OUT[60]	TCPWM0_16_ONE_CNT_TR_IN[52]	SAR1 ch#28, range violation to TCPWM0 Group #0 Counter #52 trig = 2
61	PASS0_CH_RANGEVIO_TR_OUT[61]	TCPWM0_16_ONE_CNT_TR_IN[53]	SAR1 ch#29, range violation to TCPWM0 Group #0 Counter #53 trig = 2
62	PASS0_CH_RANGEVIO_TR_OUT[62]	TCPWM0_16_ONE_CNT_TR_IN[54]	SAR1 ch#30, range violation to TCPWM0 Group #0 Counter #54 trig = 2
63	PASS0_CH_RANGEVIO_TR_OUT[63]	TCPWM0_16_ONE_CNT_TR_IN[55]	SAR1 ch#31, range violation to TCPWM0 Group #0 Counter #55 trig = 2
64	PASS0_CH_RANGEVIO_TR_OUT[64]	TCPWM0_16M_ONE_CNT_TR_IN[2]	SAR2 ch#0, range violation to TCPWM0 Group #1 Counter #02 trig = 2
65	PASS0_CH_RANGEVIO_TR_OUT[65]	TCPWM0_16M_ONE_CNT_TR_IN[5]	SAR2 ch#1, range violation to TCPWM0 Group #1 Counter #05 trig = 2
66	PASS0_CH_RANGEVIO_TR_OUT[66]	TCPWM0_16M_ONE_CNT_TR_IN[8]	SAR2 ch#2, range violation to TCPWM0 Group #1 Counter #08 trig = 2
67	PASS0_CH_RANGEVIO_TR_OUT[67]	TCPWM0_16M_ONE_CNT_TR_IN[11]	SAR2 ch#3, range violation to TCPWM0 Group #1 Counter #11 trig = 2
68	PASS0_CH_RANGEVIO_TR_OUT[68]	TCPWM0_16_ONE_CNT_TR_IN[56]	SAR2 ch#4, range violation to TCPWM0 Group #0 Counter #56 trig = 2
69	PASS0_CH_RANGEVIO_TR_OUT[69]	TCPWM0_16_ONE_CNT_TR_IN[57]	SAR2 ch#5, range violation to TCPWM0 Group #0 Counter #57 trig = 2
70	PASS0_CH_RANGEVIO_TR_OUT[70]	TCPWM0_16_ONE_CNT_TR_IN[58]	SAR2 ch#6, range violation to TCPWM0 Group #0 Counter #58 trig = 2
71	PASS0_CH_RANGEVIO_TR_OUT[71]	TCPWM0_16_ONE_CNT_TR_IN[59]	SAR2 ch#7, range violation to TCPWM0 Group #0 Counter #59 trig = 2
<b>MUX Group 7: TCPWM0 to PASS SARx</b>			
0	TCPWM0_16M_TR_OUT1[0]	PASS0_CH_TR_IN[0]	TCPWM0 Group #1 Counter #00 (PWM0_M_0) to SAR0 ch#0
1	TCPWM0_16M_TR_OUT1[3]	PASS0_CH_TR_IN[1]	TCPWM0 Group #1 Counter #03 (PWM0_M_3) to SAR0 ch#1
2	TCPWM0_16M_TR_OUT1[6]	PASS0_CH_TR_IN[2]	TCPWM0 Group #1 Counter #06 (PWM0_M_6) to SAR0 ch#2
3	TCPWM0_16M_TR_OUT1[9]	PASS0_CH_TR_IN[3]	TCPWM0 Group #1 Counter #09 (PWM0_M_9) to SAR0 ch#3
4:31	TCPWM0_16_TR_OUT1[0:27]	PASS0_CH_TR_IN[4:31]	TCPWM0 Group #0 Counter #00 through 27 (PWM0_0 to PWM0_27) to SAR0 ch#4 through SAR0 ch#31
32	TCPWM0_16M_TR_OUT1[1]	PASS0_CH_TR_IN[32]	TCPWM0 Group #1 Counter #01 (PWM0_M_1) to SAR1 ch#0
33	TCPWM0_16M_TR_OUT1[4]	PASS0_CH_TR_IN[33]	TCPWM0 Group #1 Counter #04 (PWM0_M_4) to SAR1 ch#1
34	TCPWM0_16M_TR_OUT1[7]	PASS0_CH_TR_IN[34]	TCPWM0 Group #1 Counter #07 (PWM0_M_7) to SAR1 ch#2
35	TCPWM0_16M_TR_OUT1[10]	PASS0_CH_TR_IN[35]	TCPWM0 Group #1 Counter #10 (PWM0_M_10) to SAR1 ch#3
36:63	TCPWM0_16_TR_OUT1[28:55]	PASS0_CH_TR_IN[36:63]	TCPWM0 Group #0 Counter #28 through 55 (PWM0_28 to PWM0_55) to SAR1 ch#4 through SAR1 ch#31
64	TCPWM0_16M_TR_OUT1[2]	PASS0_CH_TR_IN[64]	TCPWM0 Group #1 Counter #02 (PWM0_M_2) to SAR2 ch#0
65	TCPWM0_16M_TR_OUT1[5]	PASS0_CH_TR_IN[65]	TCPWM0 Group #1 Counter #05 (PWM0_M_5) to SAR2 ch#1
66	TCPWM0_16M_TR_OUT1[8]	PASS0_CH_TR_IN[66]	TCPWM0 Group #1 Counter #08 (PWM0_M_8) to SAR2 ch#2
67	TCPWM0_16M_TR_OUT1[11]	PASS0_CH_TR_IN[67]	TCPWM0 Group #1 Counter #11 (PWM0_M_11) to SAR2 ch#3
68:71	TCPWM0_16_TR_OUT1[56:59]	PASS0_CH_TR_IN[68:71]	TCPWM0 Group #0 Counter #56 through 59 (PWM0_56 to PWM0_59) to SAR2 ch#4 through SAR2 ch#7
<b>MUX Group 8: Acknowledge triggers from P-DMA1 to CAN1</b>			
0	PDMA1_TR_OUT[38]	CAN1_DBG_TR_ACK[0]	CAN1 Channel#0 P-DMA1 acknowledge
1	PDMA1_TR_OUT[41]	CAN1_DBG_TR_ACK[1]	CAN1 Channel#1 P-DMA1 acknowledge

Triggers one-to-one

**Table 19-1 One-to-one triggers** (continued)

Input	Trigger in	Trigger out	Description
2	PDMA1_TR_OUT[44]	CAN1_DBG_TR_ACK[2]	CAN1 Channel#2 P-DMA1 acknowledge
3	PDMA1_TR_OUT[47]	CAN1_DBG_TR_ACK[3]	CAN1 Channel#3 P-DMA1 acknowledge
<b>MUX Group 9:</b> Acknowledge triggers from P-DMA0 to CAN0			
0	PDMA0_TR_OUT[32]	CAN0_DBG_TR_ACK[0]	CAN0 Channel#0 P-DMA0 acknowledge
1	PDMA0_TR_OUT[35]	CAN0_DBG_TR_ACK[1]	CAN0 Channel#1 P-DMA0 acknowledge
2	PDMA0_TR_OUT[38]	CAN0_DBG_TR_ACK[2]	CAN0 Channel#2 P-DMA0 acknowledge
3	PDMA0_TR_OUT[41]	CAN0_DBG_TR_ACK[3]	CAN0 Channel#3 P-DMA0 acknowledge
<b>MUX Group 10:</b> TCPWM0 to LIN0 triggers			
0:15	TCPWM0_16_TR_OUT0[0:15]	LIN0_CMD_TR_IN[0:15]	TCPWM0 (Group #0 Counter #00 to #15) to LIN0

Peripheral clocks

## 20 Peripheral clocks

**Table 20-1 Peripheral clock assignments**

Output	Destination	Description
<b>CPUSS root clocks (Group 0)</b>		
0	PCLK_CPUSS_CLOCK_TRACE_IN	Trace clock
1	PCLK_SMARTIO12_CLOCK	Smart I/O #12
2	PCLK_SMARTIO13_CLOCK	Smart I/O #13
3	PCLK_SMARTIO14_CLOCK	Smart I/O #14
4	PCLK_SMARTIO15_CLOCK	Smart I/O #15
5	PCLK_SMARTIO17_CLOCK	Smart I/O #17
<b>COMM root clocks (Group 1)</b>		
0	PCLK_CANFD0_CLOCK_CAN0	CAN0, Channel #0
1	PCLK_CANFD0_CLOCK_CAN1	CAN0, Channel #1
2	PCLK_CANFD0_CLOCK_CAN2	CAN0, Channel #2
3	PCLK_CANFD0_CLOCK_CAN3	CAN0, Channel #3
4	PCLK_CANFD1_CLOCK_CAN0	CAN1, Channel #0
5	PCLK_CANFD1_CLOCK_CAN1	CAN1, Channel #1
6	PCLK_CANFD1_CLOCK_CAN2	CAN1, Channel #2
7	PCLK_CANFD1_CLOCK_CAN3	CAN1, Channel #3
8	PCLK_LIN0_CLOCK_CH_EN0	LIN0, Channel #0
9	PCLK_LIN0_CLOCK_CH_EN1	LIN0, Channel #1
10	PCLK_LIN0_CLOCK_CH_EN2	LIN0, Channel #2
11	PCLK_LIN0_CLOCK_CH_EN3	LIN0, Channel #3
12	PCLK_LIN0_CLOCK_CH_EN4	LIN0, Channel #4
13	PCLK_LIN0_CLOCK_CH_EN5	LIN0, Channel #5
14	PCLK_LIN0_CLOCK_CH_EN6	LIN0, Channel #6
15	PCLK_LIN0_CLOCK_CH_EN7	LIN0, Channel #7
16	PCLK_LIN0_CLOCK_CH_EN8	LIN0, Channel #8
17	PCLK_LIN0_CLOCK_CH_EN9	LIN0, Channel #9
18	PCLK_LIN0_CLOCK_CH_EN10	LIN0, Channel #10
19	PCLK_LIN0_CLOCK_CH_EN11	LIN0, Channel #11
20	PCLK_LIN0_CLOCK_CH_EN12	LIN0, Channel #12
21	PCLK_LIN0_CLOCK_CH_EN13	LIN0, Channel #13
22	PCLK_LIN0_CLOCK_CH_EN14	LIN0, Channel #14
23	PCLK_LIN0_CLOCK_CH_EN15	LIN0, Channel #15
24	PCLK_SCB0_CLOCK	SCB0
25	PCLK_SCB1_CLOCK	SCB1
26	PCLK_SCB2_CLOCK	SCB2
27	PCLK_SCB3_CLOCK	SCB3
28	PCLK_SCB4_CLOCK	SCB4
29	PCLK_SCB5_CLOCK	SCB5
30	PCLK_SCB6_CLOCK	SCB6
31	PCLK_SCB7_CLOCK	SCB7
32	PCLK_SCB8_CLOCK	SCB8

Peripheral clocks

**Table 20-1** Peripheral clock assignments (continued)

Output	Destination	Description
33	PCLK_SCB9_CLOCK	SCB9
34	PCLK_SCB10_CLOCK	SCB10
35	PCLK_PASS0_CLOCK_SAR0	SAR0
36	PCLK_PASS0_CLOCK_SAR1	SAR1
37	PCLK_PASS0_CLOCK_SAR2	SAR2
38	PCLK_TCPWM0_CLOCKS0	TCPWM0 Group #0, Counter #0
39	PCLK_TCPWM0_CLOCKS1	TCPWM0 Group #0, Counter #1
40	PCLK_TCPWM0_CLOCKS2	TCPWM0 Group #0, Counter #2
41	PCLK_TCPWM0_CLOCKS3	TCPWM0 Group #0, Counter #3
42	PCLK_TCPWM0_CLOCKS4	TCPWM0 Group #0, Counter #4
43	PCLK_TCPWM0_CLOCKS5	TCPWM0 Group #0, Counter #5
44	PCLK_TCPWM0_CLOCKS6	TCPWM0 Group #0, Counter #6
45	PCLK_TCPWM0_CLOCKS7	TCPWM0 Group #0, Counter #7
46	PCLK_TCPWM0_CLOCKS8	TCPWM0 Group #0, Counter #8
47	PCLK_TCPWM0_CLOCKS9	TCPWM0 Group #0, Counter #9
48	PCLK_TCPWM0_CLOCKS10	TCPWM0 Group #0, Counter #10
49	PCLK_TCPWM0_CLOCKS11	TCPWM0 Group #0, Counter #11
50	PCLK_TCPWM0_CLOCKS12	TCPWM0 Group #0, Counter #12
51	PCLK_TCPWM0_CLOCKS13	TCPWM0 Group #0, Counter #13
52	PCLK_TCPWM0_CLOCKS14	TCPWM0 Group #0, Counter #14
53	PCLK_TCPWM0_CLOCKS15	TCPWM0 Group #0, Counter #15
54	PCLK_TCPWM0_CLOCKS16	TCPWM0 Group #0, Counter #16
55	PCLK_TCPWM0_CLOCKS17	TCPWM0 Group #0, Counter #17
56	PCLK_TCPWM0_CLOCKS18	TCPWM0 Group #0, Counter #18
57	PCLK_TCPWM0_CLOCKS19	TCPWM0 Group #0, Counter #19
58	PCLK_TCPWM0_CLOCKS20	TCPWM0 Group #0, Counter #20
59	PCLK_TCPWM0_CLOCKS21	TCPWM0 Group #0, Counter #21
60	PCLK_TCPWM0_CLOCKS22	TCPWM0 Group #0, Counter #22
61	PCLK_TCPWM0_CLOCKS23	TCPWM0 Group #0, Counter #23
62	PCLK_TCPWM0_CLOCKS24	TCPWM0 Group #0, Counter #24
63	PCLK_TCPWM0_CLOCKS25	TCPWM0 Group #0, Counter #25
64	PCLK_TCPWM0_CLOCKS26	TCPWM0 Group #0, Counter #26
65	PCLK_TCPWM0_CLOCKS27	TCPWM0 Group #0, Counter #27
66	PCLK_TCPWM0_CLOCKS28	TCPWM0 Group #0, Counter #28
67	PCLK_TCPWM0_CLOCKS29	TCPWM0 Group #0, Counter #29
68	PCLK_TCPWM0_CLOCKS30	TCPWM0 Group #0, Counter #30
69	PCLK_TCPWM0_CLOCKS31	TCPWM0 Group #0, Counter #31
70	PCLK_TCPWM0_CLOCKS32	TCPWM0 Group #0, Counter #32
71	PCLK_TCPWM0_CLOCKS33	TCPWM0 Group #0, Counter #33
72	PCLK_TCPWM0_CLOCKS34	TCPWM0 Group #0, Counter #34
73	PCLK_TCPWM0_CLOCKS35	TCPWM0 Group #0, Counter #35
74	PCLK_TCPWM0_CLOCKS36	TCPWM0 Group #0, Counter #36

Peripheral clocks

**Table 20-1 Peripheral clock assignments** (continued)

Output	Destination	Description
75	PCLK_TCPWM0_CLOCKS37	TCPWM0 Group #0, Counter #37
76	PCLK_TCPWM0_CLOCKS38	TCPWM0 Group #0, Counter #38
77	PCLK_TCPWM0_CLOCKS39	TCPWM0 Group #0, Counter #39
78	PCLK_TCPWM0_CLOCKS40	TCPWM0 Group #0, Counter #40
79	PCLK_TCPWM0_CLOCKS41	TCPWM0 Group #0, Counter #41
80	PCLK_TCPWM0_CLOCKS42	TCPWM0 Group #0, Counter #42
81	PCLK_TCPWM0_CLOCKS43	TCPWM0 Group #0, Counter #43
82	PCLK_TCPWM0_CLOCKS44	TCPWM0 Group #0, Counter #44
83	PCLK_TCPWM0_CLOCKS45	TCPWM0 Group #0, Counter #45
84	PCLK_TCPWM0_CLOCKS46	TCPWM0 Group #0, Counter #46
85	PCLK_TCPWM0_CLOCKS47	TCPWM0 Group #0, Counter #47
86	PCLK_TCPWM0_CLOCKS48	TCPWM0 Group #0, Counter #48
87	PCLK_TCPWM0_CLOCKS49	TCPWM0 Group #0, Counter #49
88	PCLK_TCPWM0_CLOCKS50	TCPWM0 Group #0, Counter #50
89	PCLK_TCPWM0_CLOCKS51	TCPWM0 Group #0, Counter #51
90	PCLK_TCPWM0_CLOCKS52	TCPWM0 Group #0, Counter #52
91	PCLK_TCPWM0_CLOCKS53	TCPWM0 Group #0, Counter #53
92	PCLK_TCPWM0_CLOCKS54	TCPWM0 Group #0, Counter #54
93	PCLK_TCPWM0_CLOCKS55	TCPWM0 Group #0, Counter #55
94	PCLK_TCPWM0_CLOCKS56	TCPWM0 Group #0, Counter #56
95	PCLK_TCPWM0_CLOCKS57	TCPWM0 Group #0, Counter #57
96	PCLK_TCPWM0_CLOCKS58	TCPWM0 Group #0, Counter #58
97	PCLK_TCPWM0_CLOCKS59	TCPWM0 Group #0, Counter #59
98	PCLK_TCPWM0_CLOCKS60	TCPWM0 Group #0, Counter #60
99	PCLK_TCPWM0_CLOCKS61	TCPWM0 Group #0, Counter #61
100	PCLK_TCPWM0_CLOCKS62	TCPWM0 Group #0, Counter #62
101	PCLK_TCPWM0_CLOCKS256	TCPWM0 Group #1, Counter #0
102	PCLK_TCPWM0_CLOCKS257	TCPWM0 Group #1, Counter #1
103	PCLK_TCPWM0_CLOCKS258	TCPWM0 Group #1, Counter #2
104	PCLK_TCPWM0_CLOCKS259	TCPWM0 Group #1, Counter #3
105	PCLK_TCPWM0_CLOCKS260	TCPWM0 Group #1, Counter #4
106	PCLK_TCPWM0_CLOCKS261	TCPWM0 Group #1, Counter #5
107	PCLK_TCPWM0_CLOCKS262	TCPWM0 Group #1, Counter #6
108	PCLK_TCPWM0_CLOCKS263	TCPWM0 Group #1, Counter #7
109	PCLK_TCPWM0_CLOCKS264	TCPWM0 Group #1, Counter #8
110	PCLK_TCPWM0_CLOCKS265	TCPWM0 Group #1, Counter #9
111	PCLK_TCPWM0_CLOCKS266	TCPWM0 Group #1, Counter #10
112	PCLK_TCPWM0_CLOCKS267	TCPWM0 Group #1, Counter #11
113	PCLK_TCPWM0_CLOCKS512	TCPWM0 Group #2, Counter #0
114	PCLK_TCPWM0_CLOCKS513	TCPWM0 Group #2, Counter #1
115	PCLK_TCPWM0_CLOCKS514	TCPWM0 Group #2, Counter #2
116	PCLK_TCPWM0_CLOCKS515	TCPWM0 Group #2, Counter #3



Peripheral clocks

**Table 20-1** Peripheral clock assignments *(continued)*

<b>Output</b>	<b>Destination</b>	<b>Description</b>
117	PCLK_TCPWM0_CLOCKS516	TCPWM0 Group #2, Counter #4
118	PCLK_TCPWM0_CLOCKS517	TCPWM0 Group #2, Counter #5
119	PCLK_TCPWM0_CLOCKS518	TCPWM0 Group #2, Counter #6
120	PCLK_TCPWM0_CLOCKS519	TCPWM0 Group #2, Counter #7

## 21 Faults

**Table 21-1 Fault assignments**

Fault	Source	Description
0	CPUSS_MPU_VIO_0	CM0+ SMPU violation DATA0[31:0]: Violating address. DATA1[0]: User read. DATA1[1]: User write. DATA1[2]: User execute. DATA1[3]: Privileged read. DATA1[4]: Privileged write. DATA1[5]: Privileged execute. DATA1[6]: Non-secure. DATA1[11:8]: Master identifier. DATA1[15:12]: Protection context identifier. DATA1[31]: '0' MPU violation; '1': SMPU violation.
1	CPUSS_MPU_VIO_1	CRYPTO SMPU violation. See CPUSS_MPU_VIO_0 description.
2	CPUSS_MPU_VIO_2	P-DMA0 MPU/SMPU violation. See CPUSS_MPU_VIO_0 description.
3	CPUSS_MPU_VIO_3	P-DMA1 MPU/SMPU violation. See CPUSS_MPU_VIO_0 description.
4	CPUSS_MPU_VIO_4	M-DMA0 MPU/SMPU violation. See CPUSS_MPU_VIO_0 description.
5	CPUSS_MPU_VIO_5	SDHC MPU/SMPU violation. See CPUSS_MPU_VIO_0 description.
9	CPUSS_MPU_VIO_6	Ethernet0 MPU/SMPU violation. See CPUSS_MPU_VIO_0 description.
13	CPUSS_MPU_VIO_13	CM7_1 MPU/SMPU violation. See CPUSS_MPU_VIO_0 description.
14	CPUSS_MPU_VIO_14	CM7_0 MPU/SMPU violation. See CPUSS_MPU_VIO_0 description.
15	CPUSS_MPU_VIO_15	Test Controller MPU/SMPU violation. See CPUSS_MPU_VIO_0 description.
16	CPUSS_CM7_1_TCM_C_ECC	Correctable ECC error in CM7_1 TCM memory DATA0[23:2]: Violating address. DATA1[7:0]: Syndrome of code word (at address offset 0x0). DATA1[31:30]: 0=ITCM, 2=D0TCM, 3=D1TCM
17	CPUSS_CM7_1_TCM_NC_ECC	Non Correctable ECC error in CM7_1 TCM memory. See CPUSS_CM7_1_TCM_C_ECC description.
18	CPUSS_CM7_0_CACHE_C_ECC	Correctable ECC error in CM7_0 Cache memories DATA0[16:2]: location information: Tag/Data SRAM, Way, Index and line Offset, see CM7 UGRM IEBR0/DEBR0 description for details. DATA0[31]: 0=Instruction cache, 1= Data cache
19	CPUSS_CM7_0_CACHE_NC_ECC	Non Correctable ECC error in CM7_0 Cache memories. See CPUSS_CM7_0_CACHE_C_ECC description.
20	CPUSS_CM7_1_CACHE_C_ECC	Correctable ECC error in CM7_1 Cache memories. See CPUSS_CM7_0_CACHE_C_ECC description.
21	CPUSS_CM7_1_CACHE_NC_ECC	Non Correctable ECC error in CM7_1 Cache memories. See CPUSS_CM7_0_CACHE_C_ECC description.
25	PERI_MS_VIO_4	P-DMA1 Peripheral Master Interface PPU violation. See PERI_MS_VIO_0 description.
26	PERI_PERI_C_ECC	Peripheral protection SRAM correctable ECC violation DATA0[10:0]: Violating address. DATA1[7:0]: Syndrome of SRAM word.
27	PERI_PERI_NC_ECC	Peripheral protection SRAM non-correctable ECC violation
28	PERI_MS_VIO_0	CM0+ Peripheral Master Interface PPU violation DATA0[31:0]: Violating address. DATA1[0]: User read. DATA1[1]: User write. DATA1[2]: User execute. DATA1[3]: Privileged read. DATA1[4]: Privileged write. DATA1[5]: Privileged execute. DATA1[6]: Non-secure. DATA1[11:8]: Master identifier. DATA1[15:12]: Protection context identifier. DATA1[31:28]: "0": master interface, PPU violation, "1": timeout detected, "2": bus error, other: undefined.
29	PERI_MS_VIO_1	CM7_0 Peripheral Master Interface PPU violation. See PERI_MS_VIO_0 description.
30	PERI_MS_VIO_2	CM7_1 Peripheral Master Interface PPU violation. See PERI_MS_VIO_0 description.
31	PERI_MS_VIO_3	P-DMA0 Peripheral Master Interface PPU_3 violation. See PERI_MS_VIO_0 description.

Faults

**Table 21-1** Fault assignments (continued)

Fault	Source	Description
32	PERI_GROUP_VIO_0	Peripheral Group #0 violation. DATA0[31:0]: Violating address. DATA1[0]: User read. DATA1[1]: User write. DATA1[2]: User execute. DATA1[3]: Privileged read. DATA1[4]: Privileged write. DATA1[5]: Privileged execute. DATA1[6]: Non-secure. DATA1[11:8]: Master identifier. DATA1[15:12]: Protection context identifier. DATA1[31:28]: "0": decoder or peripheral bus error, other: undefined.
33	PERI_GROUP_VIO_1	Peripheral Group #1 violation. See PERI_GROUP_VIO_0 description.
34	PERI_GROUP_VIO_2	Peripheral Group #2 violation. See PERI_GROUP_VIO_0 description.
35	PERI_GROUP_VIO_3	Peripheral Group #3 violation. See PERI_GROUP_VIO_0 description.
36	PERI_GROUP_VIO_4	Peripheral Group #4 violation. See PERI_GROUP_VIO_0 description.
37	PERI_GROUP_VIO_5	Peripheral Group #5 violation. See PERI_GROUP_VIO_0 description.
38	PERI_GROUP_VIO_6	Peripheral Group #6 violation. See PERI_GROUP_VIO_0 description.
40	PERI_GROUP_VIO_8	Peripheral Group #8 violation. See PERI_GROUP_VIO_0 description.
41	PERI_GROUP_VIO_9	Peripheral Group #9 violation. See PERI_GROUP_VIO_0 description.
48	CPUSS_FLASHC_MAIN_BUS_ERR	Flash controller main flash bus error FAULT_DATA0[26:0]: Violating address. Append 5'b00010 as most significant bits to derive 32-bit system address. FAULT_DATA1[11:8]: Master identifier.
49	CPUSS_FLASHC_MAIN_C_ECC	Flash controller main flash correctable ECC violation DATA[26:0]: Violating address. Append 5'b00010 as most significant bits to derive 32-bit system address. DATA1[7:0]: Syndrome of 64-bit word (at address offset 0x00). DATA1[15:8]: Syndrome of 64-bit word (at address offset 0x08). DATA1[23:16]: Syndrome of 64-bit word (at address offset 0x10). DATA1[31:24]: Syndrome of 64-bit word (at address offset 0x18).
50	CPUSS_FLASHC_MAIN_NC_ECC	Flash controller main flash non-correctable ECC violation. See CPUSS_FLASHC_MAIN_C_ECC description.
51	CPUSS_FLASHC_WORK_BUS_ERR	Flash controller work-flash bus error. See CPUSS_FLASHC_MAIN_BUS_ERR description.
52	CPUSS_FLASHC_WORK_C_ECC	Flash controller work flash correctable ECC violation. DATA0[26:0]: Violating address. Append 5'b00010 as most significant bits to derive 32-bit system address. DATA1[6:0]: Syndrome of 32-bit word.
53	CPUSS_FLASHC_WORK_NC_ECC	Flash controller work-flash non-correctable ECC violation. See CPUSS_FLASHC_WORK_C_ECC description.
54	CPUSS_FLASHC_CM0_CA_C_ECC	Flash controller CM0+ cache correctable ECC violation. DATA0[26:0]: Violating address. DATA1[6:0]: Syndrome of 32-bit SRAM word (at address offset 0x0). DATA1[14:8]: Syndrome of 32-bit SRAM word (at address offset 0x4). DATA1[22:16]: Syndrome of 32-bit SRAM word (at address offset 0x8). DATA1[30:24]: Syndrome of 32-bit SRAM word (at address offset 0xc).
55	CPUSS_FLASHC_CM0_CA_NC_ECC	Flash controller CM0+ cache non-correctable ECC violation. See CPUSS_FLASHC_CM0_CA_C_ECC description.
56	CPUSS_CM7_0_TCM_C_ECC	CPU CM7_0 TCM memory correctable ECC violation. See CPUSS_CM7_1_TCM_C_ECC description.
57	CPUSS_CM7_0_TCM_NC_ECC	CPU CM7_0 TCM memory non-correctable ECC violation. See CPUSS_CM7_1_TCM_C_ECC description.
58	CPUSS_RAMC0_C_ECC	System memory controller 0 correctable ECC violation: DATA0[31:0]: Violating address. DATA1[6:0]: Syndrome of 32-bit SRAM code word.
59	CPUSS_RAMC0_NC_ECC	System memory controller 0 non-correctable ECC violation. See CPUSS_RAMC0_C_ECC description.
60	CPUSS_RAMC1_C_ECC	System memory controller 1 correctable ECC violation. See CPUSS_RAMC0_C_ECC description.
61	CPUSS_RAMC1_NC_ECC	System memory controller 1 non-correctable ECC violation. See CPUSS_RAMC0_C_ECC description.
64	CPUSS_CRYPT0_C_ECC	Crypto memory correctable ECC violation. DATA0[31:0]: Violating address. DATA1[6:0]: Syndrome of Least Significant 32-bit SRAM. DATA1[14:8]: Syndrome of Most Significant 32-bit SRAM.

Faults

**Table 21-1** Fault assignments (continued)

Fault	Source	Description
65	CPUSS_CRYPT0_NC_ECC	CRYPTO memory non-correctable ECC violation. See CPUSS_CRYPT0_C_ECC description.
70	CPUSS_DW0_C_ECC	P-DMA0 memory correctable ECC violation: DATA0[11:0]: Violating DW SRAM address (word address, assuming byte addressable). DATA1[6:0]: Syndrome of 32-bit SRAM code word.
71	CPUSS_DW0_NC_ECC	P-DMA0 memory non-correctable ECC violation. See CPUSS_DW0_C_ECC description.
72	CPUSS_DW1_C_ECC	P-DMA1 memory correctable ECC violation. See CPUSS_DW0_C_ECC description.
73	CPUSS_DW1_NC_ECC	P-DMA1 memory non-correctable ECC violation. See CPUSS_DW0_C_ECC description.
74	CPUSS_FM_SRAM_C_ECC	Flash code storage SRAM memory correctable ECC violation: DATA0[15:0]: Address location in the eCT Flash SRAM. DATA1[6:0]: Syndrome of 32-bit SRAM word.
75	CPUSS_FM_SRAM_NC_ECC	Flash code storage SRAM memory non-correctable ECC violation: See CPUSS_FM_SRAMC_C_ECC description.
80	CANFD_0__CAN_C_ECC	CAN0 message buffer correctable ECC violation: DATA0[15:0]: Violating address. DATA0[22:16]: ECC violating data[38:32] from MRAM. DATA0[27:24]: Master ID: 0-7 = CAN channel ID within mxttcanfd cluster, 8 = AHB I/F DATA1[31:0]: ECC violating data[31:0] from MRAM.
81	CANFD_0__CAN_NC_ECC	CAN0 message buffer non-correctable ECC violation: DATA0[15:0]: Violating address. DATA0[22:16]: ECC violating data[38:32] from MRAM (not for Address Error). DATA0[27:24]: Master ID: 0-7 = CAN channel ID within mxttcanfd cluster, 8 = AHB I/F DATA0[30]: Write access, only possible for Address Error DATA0[31]: Address Error: a CAN channel did an MRAM access above MRAM_SIZE DATA1[31:0]: ECC violating data[31:0] from MRAM (not for Address Error).
82	CANFD_1__CAN_C_ECC	CAN1 message buffer correctable ECC violation. See CANFD_0__CAN_C_ECC description.
83	CANFD_1__CAN_NC_ECC	CAN1 message buffer non-correctable ECC violation. See CANFD_0__CAN_NC_ECC description.
90	SRSS_FAULT_CSV	Consolidated fault output for clock supervisors. Multiple CSV can detect a violation at the same time. DATA0[15:0]: CLK_HF* root CSV violation flags. DATA0[24]: CLK_REF CSV violation flag (reference clock for CLK_HF CSVs) DATA0[25]: CLK_LF CSV violation flag DATA0[26]: CLK_HVILO CSV violation flag
91	SRSS_FAULT_SSV	Consolidated fault output for supply supervisors. Multiple CSV can detect a violation at the same time. DATA0[0]: BOD on VDPA DATA[1]: OVD on VDPA DATA[16]: LVD/HVD #1 DATA0[17]: LVD/HVD #2
92	SRSS_FAULT_MCWDT0	Fault output for MCWDT0 (all sub-counters) Multiple counters can detect a violation at the same time. DATA0[0]: MCWDT sub counter 0 LOWER_LIMIT DATA0[1]: MCWDT sub counter 0 UPPER_LIMIT DATA0[2]: MCWDT sub counter 1 LOWER_LIMIT DATA0[3]: MCWDT sub counter 1 UPPER_LIMIT
93	SRSS_FAULT_MCWDT1	Fault output for MCWDT1 (all sub-counters). See SRSS_FAULT_MCWDT0 description.
94	SRSS_FAULT_MCWDT2	Fault output for MCWDT2 (all sub-counters). See SRSS_FAULT_MCWDT0 description.

## 22 Peripheral protection unit fixed structure pairs

Protection pair is a pair PPU structures, a master, and a slave structure. The master structure protects the slave structure, and the slave structure protects resources such as peripheral registers, or the peripheral itself.

**Table 22-1 PPU fixed structure pairs**

Pair no.	PPU fixed structure pair	Address	Size	Description
0	PERI_MS_PPU_FX_PERI_MAIN	0x40000200	0x00000040	Peripheral Interconnect main
1	PERI_MS_PPU_FX_PERI_SECURE	0x40002000	0x00000004	Peripheral interconnect secure
2	PERI_MS_PPU_FX_PERI_GR0_GROUP	0x40004010	0x00000004	Peripheral Group #0 main
3	PERI_MS_PPU_FX_PERI_GR1_GROUP	0x40004050	0x00000004	Peripheral Group #1 main
4	PERI_MS_PPU_FX_PERI_GR2_GROUP	0x40004090	0x00000004	Peripheral Group #2 main
5	PERI_MS_PPU_FX_PERI_GR3_GROUP	0x400040C0	0x00000020	Peripheral Group #3 main
6	PERI_MS_PPU_FX_PERI_GR4_GROUP	0x40004100	0x00000020	Peripheral Group #4 main
7	PERI_MS_PPU_FX_PERI_GR5_GROUP	0x40004140	0x00000020	Peripheral Group #5 main
8	PERI_MS_PPU_FX_PERI_GR6_GROUP	0x40004180	0x00000020	Peripheral Group #6 main
9	PERI_MS_PPU_FX_PERI_GR8_GROUP	0x40004200	0x00000020	Peripheral Group #8 main
10	PERI_MS_PPU_FX_PERI_GR9_GROUP	0x40004240	0x00000020	Peripheral Group #9 main
11	PERI_MS_PPU_FX_PERI_GR0_BOOT	0x40004020	0x00000004	Peripheral Group #0 boot
12	PERI_MS_PPU_FX_PERI_GR1_BOOT	0x40004060	0x00000004	Peripheral Group #1 boot
13	PERI_MS_PPU_FX_PERI_GR2_BOOT	0x400040A0	0x00000004	Peripheral Group #2 boot
14	PERI_MS_PPU_FX_PERI_GR3_BOOT	0x400040E0	0x00000004	Peripheral Group #3 boot
15	PERI_MS_PPU_FX_PERI_GR4_BOOT	0x40004120	0x00000004	Peripheral Group #4 boot
16	PERI_MS_PPU_FX_PERI_GR5_BOOT	0x40004160	0x00000004	Peripheral Group #5 boot
17	PERI_MS_PPU_FX_PERI_GR6_BOOT	0x400041A0	0x00000004	Peripheral Group #6 boot
18	PERI_MS_PPU_FX_PERI_GR8_BOOT	0x40004220	0x00000004	Peripheral Group #8 boot
19	PERI_MS_PPU_FX_PERI_GR9_BOOT	0x40004260	0x00000004	Peripheral Group #9 boot
20	PERI_MS_PPU_FX_PERI_TR	0x40008000	0x00008000	Peripheral trigger multiplexer
21	PERI_MS_PPU_FX_PERI_MS_BOOT	0x40030000	0x00001000	Peripheral master slave boot
22	PERI_MS_PPU_FX_PERI_PCLK_MAIN	0x40040000	0x00004000	Peripheral clock main
23	PERI_MS_PPU_FX_CRYPT0_MAIN	0x40100000	0x00000400	Crypto main
24	PERI_MS_PPU_FX_CRYPT0_CRYPT0	0x40101000	0x00000800	Crypto MMIO (Memory Mapped I/O)
25	PERI_MS_PPU_FX_CRYPT0_BOOT	0x40102000	0x00000100	Crypto boot
26	PERI_MS_PPU_FX_CRYPT0_KEY0	0x40102100	0x00000004	Crypto Key #0
27	PERI_MS_PPU_FX_CRYPT0_KEY1	0x40102120	0x00000004	Crypto Key #1
28	PERI_MS_PPU_FX_CRYPT0_BUF	0x40108000	0x00002000	Crypto buffer
29	PERI_MS_PPU_FX_CPUSS_CM7_0	0x40200000	0x00000400	CM7_0 CPU core
30	PERI_MS_PPU_FX_CPUSS_CM7_1	0x40200400	0x00000400	CM7_1 CPU core
31	PERI_MS_PPU_FX_CPUSS_CM0	0x40201000	0x00001000	CM0+ CPU core
32	PERI_MS_PPU_FX_CPUSS_BOOT <sup>[40]</sup>	0x40202000	0x00000200	CPUSS boot
33	PERI_MS_PPU_FX_CPUSS_CM0_INT	0x40208000	0x00001000	CPUSS CM0+ interrupts
34	PERI_MS_PPU_FX_CPUSS_CM7_0_INT	0x4020A000	0x00001000	CPUSS CM7_0 interrupts
35	PERI_MS_PPU_FX_CPUSS_CM7_1_INT	0x4020C000	0x00001000	CPUSS CM7_1 interrupts
36	PERI_MS_PPU_FX_FAULT_STRUCT0_MAIN	0x40210000	0x00000100	CPUSS Fault Structure #0 main
37	PERI_MS_PPU_FX_FAULT_STRUCT1_MAIN	0x40210100	0x00000100	CPUSS Fault Structure #1 main

**Note**

40.Fixed PPU is configured inside the Boot and user is not allowed to change the attributes of this PPU.

Peripheral protection unit fixed structure pairs

**Table 22-1 PPU fixed structure pairs** (continued)

Pair no.	PPU fixed structure pair	Address	Size	Description
38	PERI_MS_PPU_FX_FAULT_STRUCT2_MAIN	0x40210200	0x00000100	CPUSS Fault Structure #2 main
39	PERI_MS_PPU_FX_FAULT_STRUCT3_MAIN	0x40210300	0x00000100	CPUSS Fault Structure #3 main
40	PERI_MS_PPU_FX_IPC_STRUCT0_IPC	0x40220000	0x00000020	CPUSS IPC Structure #0
41	PERI_MS_PPU_FX_IPC_STRUCT1_IPC	0x40220020	0x00000020	CPUSS IPC Structure #1
42	PERI_MS_PPU_FX_IPC_STRUCT2_IPC	0x40220040	0x00000020	CPUSS IPC Structure #2
43	PERI_MS_PPU_FX_IPC_STRUCT3_IPC	0x40220060	0x00000020	CPUSS IPC Structure #3
44	PERI_MS_PPU_FX_IPC_STRUCT4_IPC	0x40220080	0x00000020	CPUSS IPC Structure #4
45	PERI_MS_PPU_FX_IPC_STRUCT5_IPC	0x402200A0	0x00000020	CPUSS IPC Structure #5
46	PERI_MS_PPU_FX_IPC_STRUCT6_IPC	0x402200C0	0x00000020	CPUSS IPC Structure #6
47	PERI_MS_PPU_FX_IPC_STRUCT7_IPC	0x402200E0	0x00000020	CPUSS IPC Structure #7
48	PERI_MS_PPU_FX_IPC_INTR_STRUCT0_INTR	0x40221000	0x00000010	CPUSS IPC Interrupt Structure #0
49	PERI_MS_PPU_FX_IPC_INTR_STRUCT1_INTR	0x40221020	0x00000010	CPUSS IPC Interrupt Structure #1
50	PERI_MS_PPU_FX_IPC_INTR_STRUCT2_INTR	0x40221040	0x00000010	CPUSS IPC Interrupt Structure #2
51	PERI_MS_PPU_FX_IPC_INTR_STRUCT3_INTR	0x40221060	0x00000010	CPUSS IPC Interrupt Structure #3
52	PERI_MS_PPU_FX_IPC_INTR_STRUCT4_INTR	0x40221080	0x00000010	CPUSS IPC Interrupt Structure #4
53	PERI_MS_PPU_FX_IPC_INTR_STRUCT5_INTR	0x402210A0	0x00000010	CPUSS IPC Interrupt Structure #5
54	PERI_MS_PPU_FX_IPC_INTR_STRUCT6_INTR	0x402210C0	0x00000010	CPUSS IPC Interrupt Structure #6
55	PERI_MS_PPU_FX_IPC_INTR_STRUCT7_INTR	0x402210E0	0x00000010	CPUSS IPC Interrupt Structure #7
56	PERI_MS_PPU_FX_PROT_SMPU_MAIN	0x40230000	0x00000040	Peripheral protection SPMU main
57	PERI_MS_PPU_FX_PROT_MPU0_MAIN	0x40234000	0x00000004	Peripheral protection MPU #0 main
58	PERI_MS_PPU_FX_PROT_MPU5_MAIN	0x40235400	0x00000400	Peripheral protection MPU #5 main
59	PERI_MS_PPU_FX_PROT_MPU6_MAIN	0x40235800	0x00000400	Peripheral protection MPU #6 main
60	PERI_MS_PPU_FX_PROT_MPU13_MAIN	0x40237400	0x00000004	Peripheral protection MPU #13 main
61	PERI_MS_PPU_FX_PROT_MPU14_MAIN	0x40237800	0x00000004	Peripheral protection MPU #14 main
62	PERI_MS_PPU_FX_PROT_MPU15_MAIN	0x40237C00	0x00000400	Peripheral protection MPU #15 main
63	PERI_MS_PPU_FX_FLASHC_MAIN	0x40240000	0x00000008	Flash controller main
64	PERI_MS_PPU_FX_FLASHC_CMD	0x40240008	0x00000004	Flash controller command
65	PERI_MS_PPU_FX_FLASHC_DFT	0x40240200	0x00000100	Flash controller tests
66	PERI_MS_PPU_FX_FLASHC_CM0	0x40240400	0x00000080	Flash controller CM0+
67	PERI_MS_PPU_FX_FLASHC_CM7_0	0x402404E0	0x00000004	Flash controller CM7_0
68	PERI_MS_PPU_FX_FLASHC_CM7_1	0x40240560	0x00000004	Flash controller CM7_1
69	PERI_MS_PPU_FX_FLASHC_CRYPT0	0x40240580	0x00000004	Flash controller Crypto
70	PERI_MS_PPU_FX_FLASHC_DW0	0x40240600	0x00000004	Flash controller P-DMA0
71	PERI_MS_PPU_FX_FLASHC_DW1	0x40240680	0x00000004	Flash controller P-DMA1
72	PERI_MS_PPU_FX_FLASHC_DMxAC	0x40240700	0x00000004	Flash controller M-DMA0
73	PERI_MS_PPU_FX_FLASHC_SLOW0	0x40240780	0x00000004	Flash External AHB-Lite Master 0
74	PERI_MS_PPU_FX_FLASHC_FlashMgmt <sup>[41]</sup>	0x4024F000	0x00000080	Flash management
75	PERI_MS_PPU_FX_FLASHC_MainSafety	0x4024F400	0x00000008	Flash controller code-flash safety
76	PERI_MS_PPU_FX_FLASHC_WorkSafety	0x4024F500	0x00000004	Flash controller work-flash safety
77	PERI_MS_PPU_FX_FLASHC_FM	0x4024F000	0x00001000	Flash management
78	PERI_MS_PPU_FX_SRSS_GENERAL	0x40260000	0x00000400	SRSS General

**Note**

41.Fixed PPU is configured inside the Boot and user is not allowed to change the attributes of this PPU.

Peripheral protection unit fixed structure pairs

**Table 22-1 PPU fixed structure pairs** (continued)

Pair no.	PPU fixed structure pair	Address	Size	Description
79	PERI_MS_PPU_FX_SRSS_MAIN	0x40261000	0x00001000	SRSS main
80	PERI_MS_PPU_FX_SRSS_SECURE	0x40262000	0x00002000	SRSS secure
81	PERI_MS_PPU_FX_MCWDT0_CONFIG	0x40268000	0x00000080	MCWDT #0 configuration
82	PERI_MS_PPU_FX_MCWDT1_CONFIG	0x40268100	0x00000080	MCWDT #1 configuration
83	PERI_MS_PPU_FX_MCWDT2_CONFIG	0x40268200	0x00000080	MCWDT #2 configuration
84	PERI_MS_PPU_FX_MCWDT0_MAIN	0x40268080	0x00000040	MCWDT #0 main
85	PERI_MS_PPU_FX_MCWDT1_MAIN	0x40268180	0x00000040	MCWDT #1 main
86	PERI_MS_PPU_FX_MCWDT2_MAIN	0x40268280	0x00000040	MCWDT #2 main
87	PERI_MS_PPU_FX_WDT_CONFIG	0x4026C000	0x00000020	System WDT configuration
88	PERI_MS_PPU_FX_WDT_MAIN	0x4026C040	0x00000020	System WDT main
89	PERI_MS_PPU_FX_BACKUP_BACKUP	0x40270000	0x00010000	SRSS backup
90	PERI_MS_PPU_FX_DW0_DW	0x40280000	0x00000100	P-DMA0 main
91	PERI_MS_PPU_FX_DW1_DW	0x40290000	0x00000100	P-DMA1 main
92	PERI_MS_PPU_FX_DW0_DW_CRC	0x40280100	0x00000080	P-DMA0 CRC
93	PERI_MS_PPU_FX_DW1_DW_CRC	0x40290100	0x00000080	P-DMA1 CRC
94	PERI_MS_PPU_FX_DW0_CH_STRUCT0_CH	0x40288000	0x00000040	P-DMA0 Channel #0
95	PERI_MS_PPU_FX_DW0_CH_STRUCT1_CH	0x40288040	0x00000040	P-DMA0 Channel #1
96	PERI_MS_PPU_FX_DW0_CH_STRUCT2_CH	0x40288080	0x00000040	P-DMA0 Channel #2
97	PERI_MS_PPU_FX_DW0_CH_STRUCT3_CH	0x402880C0	0x00000040	P-DMA0 Channel #3
98	PERI_MS_PPU_FX_DW0_CH_STRUCT4_CH	0x40288100	0x00000040	P-DMA0 Channel #4
99	PERI_MS_PPU_FX_DW0_CH_STRUCT5_CH	0x40288140	0x00000040	P-DMA0 Channel #5
100	PERI_MS_PPU_FX_DW0_CH_STRUCT6_CH	0x40288180	0x00000040	P-DMA0 Channel #6
101	PERI_MS_PPU_FX_DW0_CH_STRUCT7_CH	0x402881C0	0x00000040	P-DMA0 Channel #7
102	PERI_MS_PPU_FX_DW0_CH_STRUCT8_CH	0x40288200	0x00000040	P-DMA0 Channel #8
103	PERI_MS_PPU_FX_DW0_CH_STRUCT9_CH	0x40288240	0x00000040	P-DMA0 Channel #9
104	PERI_MS_PPU_FX_DW0_CH_STRUCT10_CH	0x40288280	0x00000040	P-DMA0 Channel #10
105	PERI_MS_PPU_FX_DW0_CH_STRUCT11_CH	0x402882C0	0x00000040	P-DMA0 Channel #11
106	PERI_MS_PPU_FX_DW0_CH_STRUCT12_CH	0x40288300	0x00000040	P-DMA0 Channel #12
107	PERI_MS_PPU_FX_DW0_CH_STRUCT13_CH	0x40288340	0x00000040	P-DMA0 Channel #13
108	PERI_MS_PPU_FX_DW0_CH_STRUCT14_CH	0x40288380	0x00000040	P-DMA0 Channel #14
109	PERI_MS_PPU_FX_DW0_CH_STRUCT15_CH	0x402883C0	0x00000040	P-DMA0 Channel #15
110	PERI_MS_PPU_FX_DW0_CH_STRUCT16_CH	0x40288400	0x00000040	P-DMA0 Channel #16
111	PERI_MS_PPU_FX_DW0_CH_STRUCT17_CH	0x40288440	0x00000040	P-DMA0 Channel #17
112	PERI_MS_PPU_FX_DW0_CH_STRUCT18_CH	0x40288480	0x00000040	P-DMA0 Channel #18
113	PERI_MS_PPU_FX_DW0_CH_STRUCT19_CH	0x402884C0	0x00000040	P-DMA0 Channel #19
114	PERI_MS_PPU_FX_DW0_CH_STRUCT20_CH	0x40288500	0x00000040	P-DMA0 Channel #20
115	PERI_MS_PPU_FX_DW0_CH_STRUCT21_CH	0x40288540	0x00000040	P-DMA0 Channel #21
116	PERI_MS_PPU_FX_DW0_CH_STRUCT22_CH	0x40288580	0x00000040	P-DMA0 Channel #22
117	PERI_MS_PPU_FX_DW0_CH_STRUCT23_CH	0x402885C0	0x00000040	P-DMA0 Channel #23
118	PERI_MS_PPU_FX_DW0_CH_STRUCT24_CH	0x40288600	0x00000040	P-DMA0 Channel #24
119	PERI_MS_PPU_FX_DW0_CH_STRUCT25_CH	0x40288640	0x00000040	P-DMA0 Channel #25
120	PERI_MS_PPU_FX_DW0_CH_STRUCT26_CH	0x40288680	0x00000040	P-DMA0 Channel #26
121	PERI_MS_PPU_FX_DW0_CH_STRUCT27_CH	0x402886C0	0x00000040	P-DMA0 Channel #27
122	PERI_MS_PPU_FX_DW0_CH_STRUCT28_CH	0x40288700	0x00000040	P-DMA0 Channel #28
123	PERI_MS_PPU_FX_DW0_CH_STRUCT29_CH	0x40288740	0x00000040	P-DMA0 Channel #29

Peripheral protection unit fixed structure pairs

**Table 22-1 PPU fixed structure pairs** (continued)

Pair no.	PPU fixed structure pair	Address	Size	Description
124	PERI_MS_PPU_FX_DW0_CH_STRUCT30_CH	0x40288780	0x00000040	P-DMA0 Channel #30
125	PERI_MS_PPU_FX_DW0_CH_STRUCT31_CH	0x402887C0	0x00000040	P-DMA0 Channel #31
126	PERI_MS_PPU_FX_DW0_CH_STRUCT32_CH	0x40288800	0x00000040	P-DMA0 Channel #32
127	PERI_MS_PPU_FX_DW0_CH_STRUCT33_CH	0x40288840	0x00000040	P-DMA0 Channel #33
128	PERI_MS_PPU_FX_DW0_CH_STRUCT34_CH	0x40288880	0x00000040	P-DMA0 Channel #34
129	PERI_MS_PPU_FX_DW0_CH_STRUCT35_CH	0x402888C0	0x00000040	P-DMA0 Channel #35
130	PERI_MS_PPU_FX_DW0_CH_STRUCT36_CH	0x40288900	0x00000040	P-DMA0 Channel #36
131	PERI_MS_PPU_FX_DW0_CH_STRUCT37_CH	0x40288940	0x00000040	P-DMA0 Channel #37
132	PERI_MS_PPU_FX_DW0_CH_STRUCT38_CH	0x40288980	0x00000040	P-DMA0 Channel #38
133	PERI_MS_PPU_FX_DW0_CH_STRUCT39_CH	0x402889C0	0x00000040	P-DMA0 Channel #39
134	PERI_MS_PPU_FX_DW0_CH_STRUCT40_CH	0x40288A00	0x00000040	P-DMA0 Channel #40
135	PERI_MS_PPU_FX_DW0_CH_STRUCT41_CH	0x40288A40	0x00000040	P-DMA0 Channel #41
136	PERI_MS_PPU_FX_DW0_CH_STRUCT42_CH	0x40288A80	0x00000040	P-DMA0 Channel #42
137	PERI_MS_PPU_FX_DW0_CH_STRUCT43_CH	0x40288AC0	0x00000040	P-DMA0 Channel #43
138	PERI_MS_PPU_FX_DW0_CH_STRUCT44_CH	0x40288B00	0x00000040	P-DMA0 Channel #44
139	PERI_MS_PPU_FX_DW0_CH_STRUCT45_CH	0x40288B40	0x00000040	P-DMA0 Channel #45
140	PERI_MS_PPU_FX_DW0_CH_STRUCT46_CH	0x40288B80	0x00000040	P-DMA0 Channel #46
141	PERI_MS_PPU_FX_DW0_CH_STRUCT47_CH	0x40288BC0	0x00000040	P-DMA0 Channel #47
142	PERI_MS_PPU_FX_DW0_CH_STRUCT48_CH	0x40288C00	0x00000040	P-DMA0 Channel #48
143	PERI_MS_PPU_FX_DW0_CH_STRUCT49_CH	0x40288C40	0x00000040	P-DMA0 Channel #49
144	PERI_MS_PPU_FX_DW0_CH_STRUCT50_CH	0x40288C80	0x00000040	P-DMA0 Channel #50
145	PERI_MS_PPU_FX_DW0_CH_STRUCT51_CH	0x40288CC0	0x00000040	P-DMA0 Channel #51
146	PERI_MS_PPU_FX_DW0_CH_STRUCT52_CH	0x40288D00	0x00000040	P-DMA0 Channel #52
147	PERI_MS_PPU_FX_DW0_CH_STRUCT53_CH	0x40288D40	0x00000040	P-DMA0 Channel #53
148	PERI_MS_PPU_FX_DW0_CH_STRUCT54_CH	0x40288D80	0x00000040	P-DMA0 Channel #54
149	PERI_MS_PPU_FX_DW0_CH_STRUCT55_CH	0x40288DC0	0x00000040	P-DMA0 Channel #55
150	PERI_MS_PPU_FX_DW0_CH_STRUCT56_CH	0x40288E00	0x00000040	P-DMA0 Channel #56
151	PERI_MS_PPU_FX_DW0_CH_STRUCT57_CH	0x40288E40	0x00000040	P-DMA0 Channel #57
152	PERI_MS_PPU_FX_DW0_CH_STRUCT58_CH	0x40288E80	0x00000040	P-DMA0 Channel #58
153	PERI_MS_PPU_FX_DW0_CH_STRUCT59_CH	0x40288EC0	0x00000040	P-DMA0 Channel #59
154	PERI_MS_PPU_FX_DW0_CH_STRUCT60_CH	0x40288F00	0x00000040	P-DMA0 Channel #60
155	PERI_MS_PPU_FX_DW0_CH_STRUCT61_CH	0x40288F40	0x00000040	P-DMA0 Channel #61
156	PERI_MS_PPU_FX_DW0_CH_STRUCT62_CH	0x40288F80	0x00000040	P-DMA0 Channel #62
157	PERI_MS_PPU_FX_DW0_CH_STRUCT63_CH	0x40288FC0	0x00000040	P-DMA0 Channel #63
158	PERI_MS_PPU_FX_DW0_CH_STRUCT64_CH	0x40289000	0x00000040	P-DMA0 Channel #64
159	PERI_MS_PPU_FX_DW0_CH_STRUCT65_CH	0x40289040	0x00000040	P-DMA0 Channel #65
160	PERI_MS_PPU_FX_DW0_CH_STRUCT66_CH	0x40289080	0x00000040	P-DMA0 Channel #66
161	PERI_MS_PPU_FX_DW0_CH_STRUCT67_CH	0x402890C0	0x00000040	P-DMA0 Channel #67
162	PERI_MS_PPU_FX_DW0_CH_STRUCT68_CH	0x40289100	0x00000040	P-DMA0 Channel #68
163	PERI_MS_PPU_FX_DW0_CH_STRUCT69_CH	0x40289140	0x00000040	P-DMA0 Channel #69
164	PERI_MS_PPU_FX_DW0_CH_STRUCT70_CH	0x40289180	0x00000040	P-DMA0 Channel #70
165	PERI_MS_PPU_FX_DW0_CH_STRUCT71_CH	0x402891C0	0x00000040	P-DMA0 Channel #71
166	PERI_MS_PPU_FX_DW0_CH_STRUCT72_CH	0x40289200	0x00000040	P-DMA0 Channel #72
167	PERI_MS_PPU_FX_DW0_CH_STRUCT73_CH	0x40289240	0x00000040	P-DMA0 Channel #73
168	PERI_MS_PPU_FX_DW0_CH_STRUCT74_CH	0x40289280	0x00000040	P-DMA0 Channel #74



Peripheral protection unit fixed structure pairs

**Table 22-1 PPU fixed structure pairs** (continued)

Pair no.	PPU fixed structure pair	Address	Size	Description
169	PERI_MS_PPU_FX_DW0_CH_STRUCT75_CH	0x402892C0	0x00000040	P-DMA0 Channel #75
170	PERI_MS_PPU_FX_DW0_CH_STRUCT76_CH	0x40289300	0x00000040	P-DMA0 Channel #76
171	PERI_MS_PPU_FX_DW0_CH_STRUCT77_CH	0x40289340	0x00000040	P-DMA0 Channel #77
172	PERI_MS_PPU_FX_DW0_CH_STRUCT78_CH	0x40289380	0x00000040	P-DMA0 Channel #78
173	PERI_MS_PPU_FX_DW0_CH_STRUCT79_CH	0x402893C0	0x00000040	P-DMA0 Channel #79
174	PERI_MS_PPU_FX_DW0_CH_STRUCT80_CH	0x40289400	0x00000040	P-DMA0 Channel #80
175	PERI_MS_PPU_FX_DW0_CH_STRUCT81_CH	0x40289440	0x00000040	P-DMA0 Channel #81
176	PERI_MS_PPU_FX_DW0_CH_STRUCT82_CH	0x40289480	0x00000040	P-DMA0 Channel #82
177	PERI_MS_PPU_FX_DW0_CH_STRUCT83_CH	0x402894C0	0x00000040	P-DMA0 Channel #83
178	PERI_MS_PPU_FX_DW0_CH_STRUCT84_CH	0x40289500	0x00000040	P-DMA0 Channel #84
179	PERI_MS_PPU_FX_DW0_CH_STRUCT85_CH	0x40289540	0x00000040	P-DMA0 Channel #85
180	PERI_MS_PPU_FX_DW0_CH_STRUCT86_CH	0x40289580	0x00000040	P-DMA0 Channel #86
181	PERI_MS_PPU_FX_DW0_CH_STRUCT87_CH	0x402895C0	0x00000040	P-DMA0 Channel #87
182	PERI_MS_PPU_FX_DW0_CH_STRUCT88_CH	0x40289600	0x00000040	P-DMA0 Channel #88
183	PERI_MS_PPU_FX_DW0_CH_STRUCT89_CH	0x40289640	0x00000040	P-DMA0 Channel #89
184	PERI_MS_PPU_FX_DW0_CH_STRUCT90_CH	0x40289680	0x00000040	P-DMA0 Channel #90
185	PERI_MS_PPU_FX_DW0_CH_STRUCT91_CH	0x402896C0	0x00000040	P-DMA0 Channel #91
186	PERI_MS_PPU_FX_DW0_CH_STRUCT92_CH	0x40289700	0x00000040	P-DMA0 Channel #92
187	PERI_MS_PPU_FX_DW0_CH_STRUCT93_CH	0x40289740	0x00000040	P-DMA0 Channel #93
188	PERI_MS_PPU_FX_DW0_CH_STRUCT94_CH	0x40289780	0x00000040	P-DMA0 Channel #94
189	PERI_MS_PPU_FX_DW0_CH_STRUCT95_CH	0x402897C0	0x00000040	P-DMA0 Channel #95
190	PERI_MS_PPU_FX_DW0_CH_STRUCT96_CH	0x40289800	0x00000040	P-DMA0 Channel #96
191	PERI_MS_PPU_FX_DW0_CH_STRUCT97_CH	0x40289840	0x00000040	P-DMA0 Channel #97
192	PERI_MS_PPU_FX_DW0_CH_STRUCT98_CH	0x40289880	0x00000040	P-DMA0 Channel #98
193	PERI_MS_PPU_FX_DW0_CH_STRUCT99_CH	0x402898C0	0x00000040	P-DMA0 Channel #99
194	PERI_MS_PPU_FX_DW1_CH_STRUCT0_CH	0x40298000	0x00000040	P-DMA1 Channel #0
195	PERI_MS_PPU_FX_DW1_CH_STRUCT1_CH	0x40298040	0x00000040	P-DMA1 Channel #1
196	PERI_MS_PPU_FX_DW1_CH_STRUCT2_CH	0x40298080	0x00000040	P-DMA1 Channel #2
197	PERI_MS_PPU_FX_DW1_CH_STRUCT3_CH	0x402980C0	0x00000040	P-DMA1 Channel #3
198	PERI_MS_PPU_FX_DW1_CH_STRUCT4_CH	0x40298100	0x00000040	P-DMA1 Channel #4
199	PERI_MS_PPU_FX_DW1_CH_STRUCT5_CH	0x40298140	0x00000040	P-DMA1 Channel #5
200	PERI_MS_PPU_FX_DW1_CH_STRUCT6_CH	0x40298180	0x00000040	P-DMA1 Channel #6
201	PERI_MS_PPU_FX_DW1_CH_STRUCT7_CH	0x402981C0	0x00000040	P-DMA1 Channel #7
202	PERI_MS_PPU_FX_DW1_CH_STRUCT8_CH	0x40298200	0x00000040	P-DMA1 Channel #8
203	PERI_MS_PPU_FX_DW1_CH_STRUCT9_CH	0x40298240	0x00000040	P-DMA1 Channel #9
204	PERI_MS_PPU_FX_DW1_CH_STRUCT10_CH	0x40298280	0x00000040	P-DMA1 Channel #10
205	PERI_MS_PPU_FX_DW1_CH_STRUCT11_CH	0x402982C0	0x00000040	P-DMA1 Channel #11
206	PERI_MS_PPU_FX_DW1_CH_STRUCT12_CH	0x40298300	0x00000040	P-DMA1 Channel #12
207	PERI_MS_PPU_FX_DW1_CH_STRUCT13_CH	0x40298340	0x00000040	P-DMA1 Channel #13
208	PERI_MS_PPU_FX_DW1_CH_STRUCT14_CH	0x40298380	0x00000040	P-DMA1 Channel #14
209	PERI_MS_PPU_FX_DW1_CH_STRUCT15_CH	0x402983C0	0x00000040	P-DMA1 Channel #15
210	PERI_MS_PPU_FX_DW1_CH_STRUCT16_CH	0x40298400	0x00000040	P-DMA1 Channel #16
211	PERI_MS_PPU_FX_DW1_CH_STRUCT17_CH	0x40298440	0x00000040	P-DMA1 Channel #17
212	PERI_MS_PPU_FX_DW1_CH_STRUCT18_CH	0x40298480	0x00000040	P-DMA1 Channel #18
213	PERI_MS_PPU_FX_DW1_CH_STRUCT19_CH	0x402984C0	0x00000040	P-DMA1 Channel #19

Peripheral protection unit fixed structure pairs

**Table 22-1 PPU fixed structure pairs** (continued)

Pair no.	PPU fixed structure pair	Address	Size	Description
214	PERI_MS_PPU_FX_DW1_CH_STRUCT20_CH	0x40298500	0x00000040	P-DMA1 Channel #20
215	PERI_MS_PPU_FX_DW1_CH_STRUCT21_CH	0x40298540	0x00000040	P-DMA1 Channel #21
216	PERI_MS_PPU_FX_DW1_CH_STRUCT22_CH	0x40298580	0x00000040	P-DMA1 Channel #22
217	PERI_MS_PPU_FX_DW1_CH_STRUCT23_CH	0x402985C0	0x00000040	P-DMA1 Channel #23
218	PERI_MS_PPU_FX_DW1_CH_STRUCT24_CH	0x40298600	0x00000040	P-DMA1 Channel #24
219	PERI_MS_PPU_FX_DW1_CH_STRUCT25_CH	0x40298640	0x00000040	P-DMA1 Channel #25
220	PERI_MS_PPU_FX_DW1_CH_STRUCT26_CH	0x40298680	0x00000040	P-DMA1 Channel #26
221	PERI_MS_PPU_FX_DW1_CH_STRUCT27_CH	0x402986C0	0x00000040	P-DMA1 Channel #27
222	PERI_MS_PPU_FX_DW1_CH_STRUCT28_CH	0x40298700	0x00000040	P-DMA1 Channel #28
223	PERI_MS_PPU_FX_DW1_CH_STRUCT29_CH	0x40298740	0x00000040	P-DMA1 Channel #29
224	PERI_MS_PPU_FX_DW1_CH_STRUCT30_CH	0x40298780	0x00000040	P-DMA1 Channel #30
225	PERI_MS_PPU_FX_DW1_CH_STRUCT31_CH	0x402987C0	0x00000040	P-DMA1 Channel #31
226	PERI_MS_PPU_FX_DW1_CH_STRUCT32_CH	0x40298800	0x00000040	P-DMA1 Channel #32
227	PERI_MS_PPU_FX_DW1_CH_STRUCT33_CH	0x40298840	0x00000040	P-DMA1 Channel #33
228	PERI_MS_PPU_FX_DW1_CH_STRUCT34_CH	0x40298880	0x00000040	P-DMA1 Channel #34
229	PERI_MS_PPU_FX_DW1_CH_STRUCT35_CH	0x402988C0	0x00000040	P-DMA1 Channel #35
230	PERI_MS_PPU_FX_DW1_CH_STRUCT36_CH	0x40298900	0x00000040	P-DMA1 Channel #36
231	PERI_MS_PPU_FX_DW1_CH_STRUCT37_CH	0x40298940	0x00000040	P-DMA1 Channel #37
232	PERI_MS_PPU_FX_DW1_CH_STRUCT38_CH	0x40298980	0x00000040	P-DMA1 Channel #38
233	PERI_MS_PPU_FX_DW1_CH_STRUCT39_CH	0x402989C0	0x00000040	P-DMA1 Channel #39
234	PERI_MS_PPU_FX_DW1_CH_STRUCT40_CH	0x40298A00	0x00000040	P-DMA1 Channel #40
235	PERI_MS_PPU_FX_DW1_CH_STRUCT41_CH	0x40298A40	0x00000040	P-DMA1 Channel #41
236	PERI_MS_PPU_FX_DW1_CH_STRUCT42_CH	0x40298A80	0x00000040	P-DMA1 Channel #42
237	PERI_MS_PPU_FX_DW1_CH_STRUCT43_CH	0x40298AC0	0x00000040	P-DMA1 Channel #43
238	PERI_MS_PPU_FX_DW1_CH_STRUCT44_CH	0x40298B00	0x00000040	P-DMA1 Channel #44
239	PERI_MS_PPU_FX_DW1_CH_STRUCT45_CH	0x40298B40	0x00000040	P-DMA1 Channel #45
240	PERI_MS_PPU_FX_DW1_CH_STRUCT46_CH	0x40298B80	0x00000040	P-DMA1 Channel #46
241	PERI_MS_PPU_FX_DW1_CH_STRUCT47_CH	0x40298BC0	0x00000040	P-DMA1 Channel #47
242	PERI_MS_PPU_FX_DW1_CH_STRUCT48_CH	0x40298C00	0x00000040	P-DMA1 Channel #48
243	PERI_MS_PPU_FX_DW1_CH_STRUCT49_CH	0x40298C40	0x00000040	P-DMA1 Channel #49
244	PERI_MS_PPU_FX_DW1_CH_STRUCT50_CH	0x40298C80	0x00000040	P-DMA1 Channel #50
245	PERI_MS_PPU_FX_DW1_CH_STRUCT51_CH	0x40298CC0	0x00000040	P-DMA1 Channel #51
246	PERI_MS_PPU_FX_DW1_CH_STRUCT52_CH	0x40298D00	0x00000040	P-DMA1 Channel #52
247	PERI_MS_PPU_FX_DW1_CH_STRUCT53_CH	0x40298D40	0x00000040	P-DMA1 Channel #53
248	PERI_MS_PPU_FX_DW1_CH_STRUCT54_CH	0x40298D80	0x00000040	P-DMA1 Channel #54
249	PERI_MS_PPU_FX_DW1_CH_STRUCT55_CH	0x40298DC0	0x00000040	P-DMA1 Channel #55
250	PERI_MS_PPU_FX_DW1_CH_STRUCT56_CH	0x40298E00	0x00000040	P-DMA1 Channel #56
251	PERI_MS_PPU_FX_DW1_CH_STRUCT57_CH	0x40298E40	0x00000040	P-DMA1 Channel #57
252	PERI_MS_PPU_FX_DMACH_TOP	0x402A0000	0x00000010	M-DMA0 main
253	PERI_MS_PPU_FX_DMACH_CH0_CH	0x402A1000	0x00000100	M-DMA0 Channel #0
254	PERI_MS_PPU_FX_DMACH_CH1_CH	0x402A1100	0x00000100	M-DMA0 Channel #1
255	PERI_MS_PPU_FX_DMACH_CH2_CH	0x402A1200	0x00000100	M-DMA0 Channel #2
256	PERI_MS_PPU_FX_DMACH_CH3_CH	0x402A1300	0x00000100	M-DMA0 Channel #3
257	PERI_MS_PPU_FX_DMACH_CH4_CH	0x402A1400	0x00000100	M-DMA0 Channel #4
258	PERI_MS_PPU_FX_DMACH_CH5_CH	0x402A1500	0x00000100	M-DMA0 Channel #5

Peripheral protection unit fixed structure pairs

**Table 22-1 PPU fixed structure pairs** (continued)

Pair no.	PPU fixed structure pair	Address	Size	Description
259	PERI_MS_PPU_FX_DMACH6_CH	0x402A1600	0x00000100	M-DMA0 Channel #6
260	PERI_MS_PPU_FX_DMACH7_CH	0x402A1700	0x00000100	M-DMA0 Channel #7
261	PERI_MS_PPU_FX_EFUSE_CTL	0x402C0000	0x00000200	EFUSE control
262	PERI_MS_PPU_FX_EFUSE_DATA	0x402C0800	0x00000200	EFUSE data
263	PERI_MS_PPU_FX_BIST	0x402F0000	0x00001000	Built-in self test
264	PERI_MS_PPU_FX_HSIOM_PRT0_PRT	0x40300000	0x00000008	HSIOM Port #0
265	PERI_MS_PPU_FX_HSIOM_PRT1_PRT	0x40300010	0x00000008	HSIOM Port #1
266	PERI_MS_PPU_FX_HSIOM_PRT2_PRT	0x40300020	0x00000008	HSIOM Port #2
267	PERI_MS_PPU_FX_HSIOM_PRT3_PRT	0x40300030	0x00000008	HSIOM Port #3
268	PERI_MS_PPU_FX_HSIOM_PRT4_PRT	0x40300040	0x00000008	HSIOM Port #4
269	PERI_MS_PPU_FX_HSIOM_PRT5_PRT	0x40300050	0x00000008	HSIOM Port #5
270	PERI_MS_PPU_FX_HSIOM_PRT6_PRT	0x40300060	0x00000008	HSIOM Port #6
271	PERI_MS_PPU_FX_HSIOM_PRT7_PRT	0x40300070	0x00000008	HSIOM Port #7
272	PERI_MS_PPU_FX_HSIOM_PRT8_PRT	0x40300080	0x00000008	HSIOM Port #8
273	PERI_MS_PPU_FX_HSIOM_PRT9_PRT	0x40300090	0x00000008	HSIOM Port #9
274	PERI_MS_PPU_FX_HSIOM_PRT10_PRT	0x403000A0	0x00000008	HSIOM Port #10
275	PERI_MS_PPU_FX_HSIOM_PRT11_PRT	0x403000B0	0x00000008	HSIOM Port #11
276	PERI_MS_PPU_FX_HSIOM_PRT12_PRT	0x403000C0	0x00000008	HSIOM Port #12
277	PERI_MS_PPU_FX_HSIOM_PRT13_PRT	0x403000D0	0x00000008	HSIOM Port #13
278	PERI_MS_PPU_FX_HSIOM_PRT14_PRT	0x403000E0	0x00000008	HSIOM Port #14
279	PERI_MS_PPU_FX_HSIOM_PRT15_PRT	0x403000F0	0x00000008	HSIOM Port #15
280	PERI_MS_PPU_FX_HSIOM_PRT16_PRT	0x40300100	0x00000008	HSIOM Port #16
281	PERI_MS_PPU_FX_HSIOM_PRT17_PRT	0x40300110	0x00000008	HSIOM Port #17
282	PERI_MS_PPU_FX_HSIOM_PRT18_PRT	0x40300120	0x00000008	HSIOM Port #18
283	PERI_MS_PPU_FX_HSIOM_PRT19_PRT	0x40300130	0x00000008	HSIOM Port #19
284	PERI_MS_PPU_FX_HSIOM_PRT20_PRT	0x40300140	0x00000008	HSIOM Port #20
285	PERI_MS_PPU_FX_HSIOM_PRT21_PRT	0x40300150	0x00000008	HSIOM Port #21
286	PERI_MS_PPU_FX_HSIOM_PRT22_PRT	0x40300160	0x00000008	HSIOM Port #22
287	PERI_MS_PPU_FX_HSIOM_PRT23_PRT	0x40300170	0x00000008	HSIOM Port #23
288	PERI_MS_PPU_FX_HSIOM_PRT24_PRT	0x40300180	0x00000008	HSIOM Port #24
289	PERI_MS_PPU_FX_HSIOM_PRT25_PRT	0x40300190	0x00000008	HSIOM Port #25
290	PERI_MS_PPU_FX_HSIOM_PRT26_PRT	0x403001A0	0x00000008	HSIOM Port #26
291	PERI_MS_PPU_FX_HSIOM_PRT27_PRT	0x403001B0	0x00000008	HSIOM Port #27
292	PERI_MS_PPU_FX_HSIOM_PRT28_PRT	0x403001C0	0x00000008	HSIOM Port #28
293	PERI_MS_PPU_FX_HSIOM_PRT29_PRT	0x403001D0	0x00000008	HSIOM Port #29
294	PERI_MS_PPU_FX_HSIOM_PRT30_PRT	0x403001E0	0x00000008	HSIOM Port #30
295	PERI_MS_PPU_FX_HSIOM_PRT31_PRT	0x403001F0	0x00000008	HSIOM Port #31
296	PERI_MS_PPU_FX_HSIOM_PRT32_PRT	0x40300200	0x00000008	HSIOM Port #32
297	PERI_MS_PPU_FX_HSIOM_AMUX	0x40302000	0x00000010	HSIOM Analog multiplexer
298	PERI_MS_PPU_FX_HSIOM_MON	0x40302200	0x00000010	HSIOM monitor
299	PERI_MS_PPU_FX_HSIOM_ALTJTAG	0x40302240	0x00000004	HSIOM Alternate JTAG
300	PERI_MS_PPU_FX_GPIO_PRT0_PRT	0x40310000	0x00000040	GPIO_ENH Port #0
301	PERI_MS_PPU_FX_GPIO_PRT1_PRT	0x40310080	0x00000040	GPIO_STD Port #1
302	PERI_MS_PPU_FX_GPIO_PRT2_PRT	0x40310100	0x00000040	GPIO_STD Port #2
303	PERI_MS_PPU_FX_GPIO_PRT3_PRT	0x40310180	0x00000040	GPIO_STD Port #3

Peripheral protection unit fixed structure pairs

**Table 22-1 PPU fixed structure pairs** (continued)

Pair no.	PPU fixed structure pair	Address	Size	Description
304	PERI_MS_PPU_FX_GPIO_PRT4_PRT	0x40310200	0x00000040	GPIO_STD Port #4
305	PERI_MS_PPU_FX_GPIO_PRT5_PRT	0x40310280	0x00000040	GPIO_STD Port #5
306	PERI_MS_PPU_FX_GPIO_PRT6_PRT	0x40310300	0x00000040	GPIO_STD Port #6
307	PERI_MS_PPU_FX_GPIO_PRT7_PRT	0x40310380	0x00000040	GPIO_STD Port #7
308	PERI_MS_PPU_FX_GPIO_PRT8_PRT	0x40310400	0x00000040	GPIO_STD Port #8
309	PERI_MS_PPU_FX_GPIO_PRT9_PRT	0x40310480	0x00000040	GPIO_STD Port #9
310	PERI_MS_PPU_FX_GPIO_PRT10_PRT	0x40310500	0x00000040	GPIO_STD Port #10
311	PERI_MS_PPU_FX_GPIO_PRT11_PRT	0x40310580	0x00000040	GPIO_STD Port #11
312	PERI_MS_PPU_FX_GPIO_PRT12_PRT	0x40310600	0x00000040	GPIO_STD Port #12
313	PERI_MS_PPU_FX_GPIO_PRT13_PRT	0x40310680	0x00000040	GPIO_STD Port #13
314	PERI_MS_PPU_FX_GPIO_PRT14_PRT	0x40310700	0x00000040	GPIO_STD Port #14
315	PERI_MS_PPU_FX_GPIO_PRT15_PRT	0x40310780	0x00000040	GPIO_STD Port #15
316	PERI_MS_PPU_FX_GPIO_PRT16_PRT	0x40310800	0x00000040	GPIO_STD Port #16
317	PERI_MS_PPU_FX_GPIO_PRT17_PRT	0x40310880	0x00000040	GPIO_STD Port #17
318	PERI_MS_PPU_FX_GPIO_PRT18_PRT	0x40310900	0x00000040	GPIO_STD Port #18
319	PERI_MS_PPU_FX_GPIO_PRT19_PRT	0x40310980	0x00000040	GPIO_STD Port #19
320	PERI_MS_PPU_FX_GPIO_PRT20_PRT	0x40310A00	0x00000040	GPIO_STD Port #20
321	PERI_MS_PPU_FX_GPIO_PRT21_PRT	0x40310A80	0x00000040	GPIO_STD Port #21
322	PERI_MS_PPU_FX_GPIO_PRT22_PRT	0x40310B00	0x00000040	GPIO_STD Port #22
323	PERI_MS_PPU_FX_GPIO_PRT23_PRT	0x40310B80	0x00000040	GPIO_STD Port #23
324	PERI_MS_PPU_FX_GPIO_PRT24_PRT	0x40310C00	0x00000040	HSIO_STD Port #24
325	PERI_MS_PPU_FX_GPIO_PRT25_PRT	0x40310C80	0x00000040	HSIO_STD Port #25
326	PERI_MS_PPU_FX_GPIO_PRT26_PRT	0x40310D00	0x00000040	HSIO_STD Port #26
327	PERI_MS_PPU_FX_GPIO_PRT27_PRT	0x40310D80	0x00000040	HSIO_STD Port #27
328	PERI_MS_PPU_FX_GPIO_PRT28_PRT	0x40310E00	0x00000040	GPIO_STD Port #28
329	PERI_MS_PPU_FX_GPIO_PRT29_PRT	0x40310E80	0x00000040	GPIO_STD Port #29
330	PERI_MS_PPU_FX_GPIO_PRT30_PRT	0x40310F00	0x00000040	GPIO_STD Port #30
331	PERI_MS_PPU_FX_GPIO_PRT31_PRT	0x40310F80	0x00000040	GPIO_STD Port #31
332	PERI_MS_PPU_FX_GPIO_PRT32_PRT	0x40311000	0x00000040	GPIO_STD Port #32
333	PERI_MS_PPU_FX_GPIO_PRT0_CFG	0x40310040	0x00000020	GPIO_ENH Port #0 configuration
334	PERI_MS_PPU_FX_GPIO_PRT1_CFG	0x403100C0	0x00000020	GPIO_STD Port #1 configuration
335	PERI_MS_PPU_FX_GPIO_PRT2_CFG	0x40310140	0x00000020	GPIO_STD Port #2 configuration
336	PERI_MS_PPU_FX_GPIO_PRT3_CFG	0x403101C0	0x00000020	GPIO_STD Port #3 configuration
337	PERI_MS_PPU_FX_GPIO_PRT4_CFG	0x40310240	0x00000020	GPIO_STD Port #4 configuration
338	PERI_MS_PPU_FX_GPIO_PRT5_CFG	0x403102C0	0x00000020	GPIO_STD Port #5 configuration
339	PERI_MS_PPU_FX_GPIO_PRT6_CFG	0x40310340	0x00000020	GPIO_STD Port #6 configuration
340	PERI_MS_PPU_FX_GPIO_PRT7_CFG	0x403103C0	0x00000020	GPIO_STD Port #7 configuration
341	PERI_MS_PPU_FX_GPIO_PRT8_CFG	0x40310440	0x00000020	GPIO_STD Port #8 configuration
342	PERI_MS_PPU_FX_GPIO_PRT9_CFG	0x403104C0	0x00000020	GPIO_STD Port #9 configuration
343	PERI_MS_PPU_FX_GPIO_PRT10_CFG	0x40310540	0x00000020	GPIO_STD Port #10 configuration
344	PERI_MS_PPU_FX_GPIO_PRT11_CFG	0x403105C0	0x00000020	GPIO_STD Port #11 configuration
345	PERI_MS_PPU_FX_GPIO_PRT12_CFG	0x40310640	0x00000020	GPIO_STD Port #12 configuration
346	PERI_MS_PPU_FX_GPIO_PRT13_CFG	0x403106C0	0x00000020	GPIO_STD Port #13 configuration
347	PERI_MS_PPU_FX_GPIO_PRT14_CFG	0x40310740	0x00000020	GPIO_STD Port #14 configuration
348	PERI_MS_PPU_FX_GPIO_PRT15_CFG	0x403107C0	0x00000020	GPIO_STD Port #15 configuration

Peripheral protection unit fixed structure pairs

**Table 22-1 PPU fixed structure pairs** (continued)

Pair no.	PPU fixed structure pair	Address	Size	Description
349	PERI_MS_PPU_FX_GPIO_PRT16_CFG	0x40310840	0x00000020	GPIO_STD Port #16 configuration
350	PERI_MS_PPU_FX_GPIO_PRT17_CFG	0x403108C0	0x00000020	GPIO_STD Port #17 configuration
351	PERI_MS_PPU_FX_GPIO_PRT18_CFG	0x40310940	0x00000020	GPIO_STD Port #18 configuration
352	PERI_MS_PPU_FX_GPIO_PRT19_CFG	0x403109C0	0x00000020	GPIO_STD Port #19 configuration
353	PERI_MS_PPU_FX_GPIO_PRT20_CFG	0x40310A40	0x00000020	GPIO_STD Port #20 configuration
354	PERI_MS_PPU_FX_GPIO_PRT21_CFG	0x40310AC0	0x00000020	GPIO_STD Port #21 configuration
355	PERI_MS_PPU_FX_GPIO_PRT22_CFG	0x40310B40	0x00000020	GPIO_STD Port #22 configuration
356	PERI_MS_PPU_FX_GPIO_PRT23_CFG	0x40310BC0	0x00000020	GPIO_STD Port #23 configuration
357	PERI_MS_PPU_FX_GPIO_PRT24_CFG	0x40310C40	0x00000020	HSIO_STD Port #24 configuration
358	PERI_MS_PPU_FX_GPIO_PRT25_CFG	0x40310CC0	0x00000020	HSIO_STD Port #25 configuration
359	PERI_MS_PPU_FX_GPIO_PRT26_CFG	0x40310D40	0x00000020	HSIO_STD Port #26 configuration
360	PERI_MS_PPU_FX_GPIO_PRT27_CFG	0x40310DC0	0x00000020	HSIO_STD Port #27 configuration
361	PERI_MS_PPU_FX_GPIO_PRT28_CFG	0x40310E40	0x00000020	GPIO_STD Port #28 configuration
362	PERI_MS_PPU_FX_GPIO_PRT29_CFG	0x40310EC0	0x00000020	GPIO_STD Port #29 configuration
363	PERI_MS_PPU_FX_GPIO_PRT30_CFG	0x40310F40	0x00000020	GPIO_STD Port #30 configuration
364	PERI_MS_PPU_FX_GPIO_PRT31_CFG	0x40310FC0	0x00000020	GPIO_STD Port #31 configuration
365	PERI_MS_PPU_FX_GPIO_PRT32_CFG	0x40311040	0x00000020	GPIO_STD Port #32 configuration
366	PERI_MS_PPU_FX_GPIO_GPIO	0x40314000	0x00000040	GPIO main
367	PERI_MS_PPU_FX_GPIO_TEST	0x40315000	0x00000008	GPIO test
368	PERI_MS_PPU_FX_SMARTIO_PRT12_PRT	0x40320C00	0x00000100	SMART I/O #12
369	PERI_MS_PPU_FX_SMARTIO_PRT13_PRT	0x40320D00	0x00000100	SMART I/O #13
370	PERI_MS_PPU_FX_SMARTIO_PRT14_PRT	0x40320E00	0x00000100	SMART I/O #14
371	PERI_MS_PPU_FX_SMARTIO_PRT15_PRT	0x40320F00	0x00000100	SMART I/O #15
372	PERI_MS_PPU_FX_SMARTIO_PRT17_PRT	0x40321100	0x00000100	SMART I/O #17
373	PERI_MS_PPU_FX_EVTGEN0	0x403F0000	0x00001000	Event generator #0
374	PERI_MS_PPU_FX_SMIF0	0x40420000	0x00010000	Serial Memory Interface #0
375	PERI_MS_PPU_FX_SDHC0	0x40460000	0x00010000	Secure Digital High Capacity #0
376	PERI_MS_PPU_FX_ETH0	0x40480000	0x00010000	Ethernet0
377	PERI_MS_PPU_FX_LIN0_MAIN	0x40500000	0x00000008	LIN0, main
378	PERI_MS_PPU_FX_LIN0_CH0_CH	0x40508000	0x00000100	LIN0, Channel #0
379	PERI_MS_PPU_FX_LIN0_CH1_CH	0x40508100	0x00000100	LIN0, Channel #1
380	PERI_MS_PPU_FX_LIN0_CH2_CH	0x40508200	0x00000100	LIN0, Channel #2
381	PERI_MS_PPU_FX_LIN0_CH3_CH	0x40508300	0x00000100	LIN0, Channel #3
382	PERI_MS_PPU_FX_LIN0_CH4_CH	0x40508400	0x00000100	LIN0, Channel #4
383	PERI_MS_PPU_FX_LIN0_CH5_CH	0x40508500	0x00000100	LIN0, Channel #5
384	PERI_MS_PPU_FX_LIN0_CH6_CH	0x40508600	0x00000100	LIN0, Channel #6
385	PERI_MS_PPU_FX_LIN0_CH7_CH	0x40508700	0x00000100	LIN0, Channel #7
386	PERI_MS_PPU_FX_LIN0_CH8_CH	0x40508800	0x00000100	LIN0, Channel #8
387	PERI_MS_PPU_FX_LIN0_CH9_CH	0x40508900	0x00000100	LIN0, Channel #9
388	PERI_MS_PPU_FX_LIN0_CH10_CH	0x40508A00	0x00000100	LIN0, Channel #10
389	PERI_MS_PPU_FX_LIN0_CH11_CH	0x40508B00	0x00000100	LIN0, Channel #11
390	PERI_MS_PPU_FX_LIN0_CH12_CH	0x40508C00	0x00000100	LIN0, Channel #12
391	PERI_MS_PPU_FX_LIN0_CH13_CH	0x40508D00	0x00000100	LIN0, Channel #13
392	PERI_MS_PPU_FX_LIN0_CH14_CH	0x40508E00	0x00000100	LIN0, Channel #14
393	PERI_MS_PPU_FX_LIN0_CH15_CH	0x40508F00	0x00000100	LIN0, Channel #15

Peripheral protection unit fixed structure pairs

**Table 22-1 PPU fixed structure pairs** (continued)

Pair no.	PPU fixed structure pair	Address	Size	Description
394	PERI_MS_PPU_FX_CANFD0_CH0_CH	0x40520000	0x00000200	CAN0, Channel #0
395	PERI_MS_PPU_FX_CANFD0_CH1_CH	0x40520200	0x00000200	CAN0, Channel #1
396	PERI_MS_PPU_FX_CANFD0_CH2_CH	0x40520400	0x00000200	CAN0, Channel #2
397	PERI_MS_PPU_FX_CANFD0_CH3_CH	0x40520600	0x00000200	CAN0, Channel #3
398	PERI_MS_PPU_FX_CANFD1_CH0_CH	0x40540000	0x00000200	CAN1, Channel #0
399	PERI_MS_PPU_FX_CANFD1_CH1_CH	0x40540200	0x00000200	CAN1, Channel #1
400	PERI_MS_PPU_FX_CANFD1_CH2_CH	0x40540400	0x00000200	CAN1, Channel #2
401	PERI_MS_PPU_FX_CANFD1_CH3_CH	0x40540600	0x00000200	CAN1, Channel #3
402	PERI_MS_PPU_FX_CANFD0_MAIN	0x40521000	0x00000100	CAN0 main
403	PERI_MS_PPU_FX_CANFD1_MAIN	0x40541000	0x00000100	CAN1 main
404	PERI_MS_PPU_FX_CANFD0_BUF	0x40530000	0x00010000	CAN0 buffer
405	PERI_MS_PPU_FX_CANFD1_BUF	0x40550000	0x00010000	CAN1 buffer
406	PERI_MS_PPU_FX_TCPWM0_GRP0_CNT0_CNT	0x40580000	0x00000080	TCPWM0 Group #0, Counter #0
407	PERI_MS_PPU_FX_TCPWM0_GRP0_CNT1_CNT	0x40580080	0x00000080	TCPWM0 Group #0, Counter #1
408	PERI_MS_PPU_FX_TCPWM0_GRP0_CNT2_CNT	0x40580100	0x00000080	TCPWM0 Group #0, Counter #2
409	PERI_MS_PPU_FX_TCPWM0_GRP0_CNT3_CNT	0x40580180	0x00000080	TCPWM0 Group #0, Counter #3
410	PERI_MS_PPU_FX_TCPWM0_GRP0_CNT4_CNT	0x40580200	0x00000080	TCPWM0 Group #0, Counter #4
411	PERI_MS_PPU_FX_TCPWM0_GRP0_CNT5_CNT	0x40580280	0x00000080	TCPWM0 Group #0, Counter #5
412	PERI_MS_PPU_FX_TCPWM0_GRP0_CNT6_CNT	0x40580300	0x00000080	TCPWM0 Group #0, Counter #6
413	PERI_MS_PPU_FX_TCPWM0_GRP0_CNT7_CNT	0x40580380	0x00000080	TCPWM0 Group #0, Counter #7
414	PERI_MS_PPU_FX_TCPWM0_GRP0_CNT8_CNT	0x40580400	0x00000080	TCPWM0 Group #0, Counter #8
415	PERI_MS_PPU_FX_TCPWM0_GRP0_CNT9_CNT	0x40580480	0x00000080	TCPWM0 Group #0, Counter #9
416	PERI_MS_PPU_FX_TCPWM0_GRP0_CNT10_CNT	0x40580500	0x00000080	TCPWM0 Group #0, Counter #10
417	PERI_MS_PPU_FX_TCPWM0_GRP0_CNT11_CNT	0x40580580	0x00000080	TCPWM0 Group #0, Counter #11
418	PERI_MS_PPU_FX_TCPWM0_GRP0_CNT12_CNT	0x40580600	0x00000080	TCPWM0 Group #0, Counter #12
419	PERI_MS_PPU_FX_TCPWM0_GRP0_CNT13_CNT	0x40580680	0x00000080	TCPWM0 Group #0, Counter #13
420	PERI_MS_PPU_FX_TCPWM0_GRP0_CNT14_CNT	0x40580700	0x00000080	TCPWM0 Group #0, Counter #14
421	PERI_MS_PPU_FX_TCPWM0_GRP0_CNT15_CNT	0x40580780	0x00000080	TCPWM0 Group #0, Counter #15
422	PERI_MS_PPU_FX_TCPWM0_GRP0_CNT16_CNT	0x40580800	0x00000080	TCPWM0 Group #0, Counter #16
423	PERI_MS_PPU_FX_TCPWM0_GRP0_CNT17_CNT	0x40580880	0x00000080	TCPWM0 Group #0, Counter #17
424	PERI_MS_PPU_FX_TCPWM0_GRP0_CNT18_CNT	0x40580900	0x00000080	TCPWM0 Group #0, Counter #18
425	PERI_MS_PPU_FX_TCPWM0_GRP0_CNT19_CNT	0x40580980	0x00000080	TCPWM0 Group #0, Counter #19
426	PERI_MS_PPU_FX_TCPWM0_GRP0_CNT20_CNT	0x40580A00	0x00000080	TCPWM0 Group #0, Counter #20
427	PERI_MS_PPU_FX_TCPWM0_GRP0_CNT21_CNT	0x40580A80	0x00000080	TCPWM0 Group #0, Counter #21
428	PERI_MS_PPU_FX_TCPWM0_GRP0_CNT22_CNT	0x40580B00	0x00000080	TCPWM0 Group #0, Counter #22
429	PERI_MS_PPU_FX_TCPWM0_GRP0_CNT23_CNT	0x40580B80	0x00000080	TCPWM0 Group #0, Counter #23
430	PERI_MS_PPU_FX_TCPWM0_GRP0_CNT24_CNT	0x40580C00	0x00000080	TCPWM0 Group #0, Counter #24
431	PERI_MS_PPU_FX_TCPWM0_GRP0_CNT25_CNT	0x40580C80	0x00000080	TCPWM0 Group #0, Counter #25
432	PERI_MS_PPU_FX_TCPWM0_GRP0_CNT26_CNT	0x40580D00	0x00000080	TCPWM0 Group #0, Counter #26
433	PERI_MS_PPU_FX_TCPWM0_GRP0_CNT27_CNT	0x40580D80	0x00000080	TCPWM0 Group #0, Counter #27
434	PERI_MS_PPU_FX_TCPWM0_GRP0_CNT28_CNT	0x40580E00	0x00000080	TCPWM0 Group #0, Counter #28
435	PERI_MS_PPU_FX_TCPWM0_GRP0_CNT29_CNT	0x40580E80	0x00000080	TCPWM0 Group #0, Counter #29
436	PERI_MS_PPU_FX_TCPWM0_GRP0_CNT30_CNT	0x40580F00	0x00000080	TCPWM0 Group #0, Counter #30
437	PERI_MS_PPU_FX_TCPWM0_GRP0_CNT31_CNT	0x40580F80	0x00000080	TCPWM0 Group #0, Counter #31
438	PERI_MS_PPU_FX_TCPWM0_GRP0_CNT32_CNT	0x40581000	0x00000080	TCPWM0 Group #0, Counter #32

Peripheral protection unit fixed structure pairs

**Table 22-1 PPU fixed structure pairs** (continued)

Pair no.	PPU fixed structure pair	Address	Size	Description
439	PERI_MS_PPU_FX_TCPWM0_GRP0_CNT33_CNT	0x40581080	0x00000080	TCPWM0 Group #0, Counter #33
440	PERI_MS_PPU_FX_TCPWM0_GRP0_CNT34_CNT	0x40581100	0x00000080	TCPWM0 Group #0, Counter #34
441	PERI_MS_PPU_FX_TCPWM0_GRP0_CNT35_CNT	0x40581180	0x00000080	TCPWM0 Group #0, Counter #35
442	PERI_MS_PPU_FX_TCPWM0_GRP0_CNT36_CNT	0x40581200	0x00000080	TCPWM0 Group #0, Counter #36
443	PERI_MS_PPU_FX_TCPWM0_GRP0_CNT37_CNT	0x40581280	0x00000080	TCPWM0 Group #0, Counter #37
444	PERI_MS_PPU_FX_TCPWM0_GRP0_CNT38_CNT	0x40581300	0x00000080	TCPWM0 Group #0, Counter #38
445	PERI_MS_PPU_FX_TCPWM0_GRP0_CNT39_CNT	0x40581380	0x00000080	TCPWM0 Group #0, Counter #39
446	PERI_MS_PPU_FX_TCPWM0_GRP0_CNT40_CNT	0x40581400	0x00000080	TCPWM0 Group #0, Counter #40
447	PERI_MS_PPU_FX_TCPWM0_GRP0_CNT41_CNT	0x40581480	0x00000080	TCPWM0 Group #0, Counter #41
448	PERI_MS_PPU_FX_TCPWM0_GRP0_CNT42_CNT	0x40581500	0x00000080	TCPWM0 Group #0, Counter #42
449	PERI_MS_PPU_FX_TCPWM0_GRP0_CNT43_CNT	0x40581580	0x00000080	TCPWM0 Group #0, Counter #43
450	PERI_MS_PPU_FX_TCPWM0_GRP0_CNT44_CNT	0x40581600	0x00000080	TCPWM0 Group #0, Counter #44
451	PERI_MS_PPU_FX_TCPWM0_GRP0_CNT45_CNT	0x40581680	0x00000080	TCPWM0 Group #0, Counter #45
452	PERI_MS_PPU_FX_TCPWM0_GRP0_CNT46_CNT	0x40581700	0x00000080	TCPWM0 Group #0, Counter #46
453	PERI_MS_PPU_FX_TCPWM0_GRP0_CNT47_CNT	0x40581780	0x00000080	TCPWM0 Group #0, Counter #47
454	PERI_MS_PPU_FX_TCPWM0_GRP0_CNT48_CNT	0x40581800	0x00000080	TCPWM0 Group #0, Counter #48
455	PERI_MS_PPU_FX_TCPWM0_GRP0_CNT49_CNT	0x40581880	0x00000080	TCPWM0 Group #0, Counter #49
456	PERI_MS_PPU_FX_TCPWM0_GRP0_CNT50_CNT	0x40581900	0x00000080	TCPWM0 Group #0, Counter #50
457	PERI_MS_PPU_FX_TCPWM0_GRP0_CNT51_CNT	0x40581980	0x00000080	TCPWM0 Group #0, Counter #51
458	PERI_MS_PPU_FX_TCPWM0_GRP0_CNT52_CNT	0x40581A00	0x00000080	TCPWM0 Group #0, Counter #52
459	PERI_MS_PPU_FX_TCPWM0_GRP0_CNT53_CNT	0x40581A80	0x00000080	TCPWM0 Group #0, Counter #53
460	PERI_MS_PPU_FX_TCPWM0_GRP0_CNT54_CNT	0x40581B00	0x00000080	TCPWM0 Group #0, Counter #54
461	PERI_MS_PPU_FX_TCPWM0_GRP0_CNT55_CNT	0x40581B80	0x00000080	TCPWM0 Group #0, Counter #55
462	PERI_MS_PPU_FX_TCPWM0_GRP0_CNT56_CNT	0x40581C00	0x00000080	TCPWM0 Group #0, Counter #56
463	PERI_MS_PPU_FX_TCPWM0_GRP0_CNT57_CNT	0x40581C80	0x00000080	TCPWM0 Group #0, Counter #57
464	PERI_MS_PPU_FX_TCPWM0_GRP0_CNT58_CNT	0x40581D00	0x00000080	TCPWM0 Group #0, Counter #58
465	PERI_MS_PPU_FX_TCPWM0_GRP0_CNT59_CNT	0x40581D80	0x00000080	TCPWM0 Group #0, Counter #59
466	PERI_MS_PPU_FX_TCPWM0_GRP0_CNT60_CNT	0x40581E00	0x00000080	TCPWM0 Group #0, Counter #60
467	PERI_MS_PPU_FX_TCPWM0_GRP0_CNT61_CNT	0x40581E80	0x00000080	TCPWM0 Group #0, Counter #61
468	PERI_MS_PPU_FX_TCPWM0_GRP0_CNT62_CNT	0x40581F00	0x00000080	TCPWM0 Group #0, Counter #62
469	PERI_MS_PPU_FX_TCPWM0_GRP1_CNT0_CNT	0x40588000	0x00000080	TCPWM0 Group #1, Counter #0
470	PERI_MS_PPU_FX_TCPWM0_GRP1_CNT1_CNT	0x40588080	0x00000080	TCPWM0 Group #1, Counter #1
471	PERI_MS_PPU_FX_TCPWM0_GRP1_CNT2_CNT	0x40588100	0x00000080	TCPWM0 Group #1, Counter #2
472	PERI_MS_PPU_FX_TCPWM0_GRP1_CNT3_CNT	0x40588180	0x00000080	TCPWM0 Group #1, Counter #3
473	PERI_MS_PPU_FX_TCPWM0_GRP1_CNT4_CNT	0x40588200	0x00000080	TCPWM0 Group #1, Counter #4
474	PERI_MS_PPU_FX_TCPWM0_GRP1_CNT5_CNT	0x40588280	0x00000080	TCPWM0 Group #1, Counter #5
475	PERI_MS_PPU_FX_TCPWM0_GRP1_CNT6_CNT	0x40588300	0x00000080	TCPWM0 Group #1, Counter #6
476	PERI_MS_PPU_FX_TCPWM0_GRP1_CNT7_CNT	0x40588380	0x00000080	TCPWM0 Group #1, Counter #7
477	PERI_MS_PPU_FX_TCPWM0_GRP1_CNT8_CNT	0x40588400	0x00000080	TCPWM0 Group #1, Counter #8
478	PERI_MS_PPU_FX_TCPWM0_GRP1_CNT9_CNT	0x40588480	0x00000080	TCPWM0 Group #1, Counter #9
479	PERI_MS_PPU_FX_TCPWM0_GRP1_CNT10_CNT	0x40588500	0x00000080	TCPWM0 Group #1, Counter #10
480	PERI_MS_PPU_FX_TCPWM0_GRP1_CNT11_CNT	0x40588580	0x00000080	TCPWM0 Group #1, Counter #11
481	PERI_MS_PPU_FX_TCPWM0_GRP2_CNT0_CNT	0x40590000	0x00000080	TCPWM0 Group #2, Counter #0
482	PERI_MS_PPU_FX_TCPWM0_GRP2_CNT1_CNT	0x40590080	0x00000080	TCPWM0 Group #2, Counter #1
483	PERI_MS_PPU_FX_TCPWM0_GRP2_CNT2_CNT	0x40590100	0x00000080	TCPWM0 Group #2, Counter #2

Peripheral protection unit fixed structure pairs

**Table 22-1 PPU fixed structure pairs** (continued)

Pair no.	PPU fixed structure pair	Address	Size	Description
484	PERI_MS_PPU_FX_TCPWM0_GRP2_CNT3_CNT	0x40590180	0x00000080	TCPWM0 Group #2, Counter #3
485	PERI_MS_PPU_FX_TCPWM0_GRP2_CNT4_CNT	0x40590200	0x00000080	TCPWM0 Group #2, Counter #4
486	PERI_MS_PPU_FX_TCPWM0_GRP2_CNT5_CNT	0x40590280	0x00000080	TCPWM0 Group #2, Counter #5
487	PERI_MS_PPU_FX_TCPWM0_GRP2_CNT6_CNT	0x40590300	0x00000080	TCPWM0 Group #2, Counter #6
488	PERI_MS_PPU_FX_TCPWM0_GRP2_CNT7_CNT	0x40590380	0x00000080	TCPWM0 Group #2, Counter #7
489	PERI_MS_PPU_FX_SCB0	0x40600000	0x00010000	SCB0
490	PERI_MS_PPU_FX_SCB1	0x40610000	0x00010000	SCB1
491	PERI_MS_PPU_FX_SCB2	0x40620000	0x00010000	SCB2
492	PERI_MS_PPU_FX_SCB3	0x40630000	0x00010000	SCB3
493	PERI_MS_PPU_FX_SCB4	0x40640000	0x00010000	SCB4
494	PERI_MS_PPU_FX_SCB5	0x40650000	0x00010000	SCB5
495	PERI_MS_PPU_FX_SCB6	0x40660000	0x00010000	SCB6
496	PERI_MS_PPU_FX_SCB7	0x40670000	0x00010000	SCB7
497	PERI_MS_PPU_FX_SCB8	0x40680000	0x00010000	SCB8
498	PERI_MS_PPU_FX_SCB9	0x40690000	0x00010000	SCB9
499	PERI_MS_PPU_FX_SCB10	0x406A0000	0x00010000	SCB10
500	PERI_MS_PPU_FX_I2S0	0x40800000	0x00001000	AUDIOSS I2S0
501	PERI_MS_PPU_FX_I2S1	0x40801000	0x00001000	AUDIOSS I2S1
502	PERI_MS_PPU_FX_I2S2	0x40802000	0x00001000	AUDIOSS I2S2
503	PERI_MS_PPU_FX_PASS0_SAR0_SAR	0x40900000	0x00000400	PASS SAR0
504	PERI_MS_PPU_FX_PASS0_SAR1_SAR	0x40901000	0x00000400	PASS SAR1
505	PERI_MS_PPU_FX_PASS0_SAR2_SAR	0x40902000	0x00000400	PASS SAR2
506	PERI_MS_PPU_FX_PASS0_SAR0_CH0_CH	0x40900800	0x00000040	SAR0, Channel #0
507	PERI_MS_PPU_FX_PASS0_SAR0_CH1_CH	0x40900840	0x00000040	SAR0, Channel #1
508	PERI_MS_PPU_FX_PASS0_SAR0_CH2_CH	0x40900880	0x00000040	SAR0, Channel #2
509	PERI_MS_PPU_FX_PASS0_SAR0_CH3_CH	0x409008C0	0x00000040	SAR0, Channel #3
510	PERI_MS_PPU_FX_PASS0_SAR0_CH4_CH	0x40900900	0x00000040	SAR0, Channel #4
511	PERI_MS_PPU_FX_PASS0_SAR0_CH5_CH	0x40900940	0x00000040	SAR0, Channel #5
512	PERI_MS_PPU_FX_PASS0_SAR0_CH6_CH	0x40900980	0x00000040	SAR0, Channel #6
513	PERI_MS_PPU_FX_PASS0_SAR0_CH7_CH	0x409009C0	0x00000040	SAR0, Channel #7
514	PERI_MS_PPU_FX_PASS0_SAR0_CH8_CH	0x40900A00	0x00000040	SAR0, Channel #8
515	PERI_MS_PPU_FX_PASS0_SAR0_CH9_CH	0x40900A40	0x00000040	SAR0, Channel #9
516	PERI_MS_PPU_FX_PASS0_SAR0_CH10_CH	0x40900A80	0x00000040	SAR0, Channel #10
517	PERI_MS_PPU_FX_PASS0_SAR0_CH11_CH	0x40900AC0	0x00000040	SAR0, Channel #11
518	PERI_MS_PPU_FX_PASS0_SAR0_CH12_CH	0x40900B00	0x00000040	SAR0, Channel #12
519	PERI_MS_PPU_FX_PASS0_SAR0_CH13_CH	0x40900B40	0x00000040	SAR0, Channel #13
520	PERI_MS_PPU_FX_PASS0_SAR0_CH14_CH	0x40900B80	0x00000040	SAR0, Channel #14
521	PERI_MS_PPU_FX_PASS0_SAR0_CH15_CH	0x40900BC0	0x00000040	SAR0, Channel #15
522	PERI_MS_PPU_FX_PASS0_SAR0_CH16_CH	0x40900C00	0x00000040	SAR0, Channel #16
523	PERI_MS_PPU_FX_PASS0_SAR0_CH17_CH	0x40900C40	0x00000040	SAR0, Channel #17
524	PERI_MS_PPU_FX_PASS0_SAR0_CH18_CH	0x40900C80	0x00000040	SAR0, Channel #18
525	PERI_MS_PPU_FX_PASS0_SAR0_CH19_CH	0x40900CC0	0x00000040	SAR0, Channel #19
526	PERI_MS_PPU_FX_PASS0_SAR0_CH20_CH	0x40900D00	0x00000040	SAR0, Channel #20
527	PERI_MS_PPU_FX_PASS0_SAR0_CH21_CH	0x40900D40	0x00000040	SAR0, Channel #21
528	PERI_MS_PPU_FX_PASS0_SAR0_CH22_CH	0x40900D80	0x00000040	SAR0, Channel #22



Peripheral protection unit fixed structure pairs

**Table 22-1 PPU fixed structure pairs** (continued)

Pair no.	PPU fixed structure pair	Address	Size	Description
529	PERI_MS_PPU_FX_PASS0_SAR0_CH23_CH	0x40900DC0	0x00000040	SAR0, Channel #23
530	PERI_MS_PPU_FX_PASS0_SAR0_CH24_CH	0x40900E00	0x00000040	SAR0, Channel #24
531	PERI_MS_PPU_FX_PASS0_SAR0_CH25_CH	0x40900E40	0x00000040	SAR0, Channel #25
532	PERI_MS_PPU_FX_PASS0_SAR0_CH26_CH	0x40900E80	0x00000040	SAR0, Channel #26
533	PERI_MS_PPU_FX_PASS0_SAR0_CH27_CH	0x40900EC0	0x00000040	SAR0, Channel #27
534	PERI_MS_PPU_FX_PASS0_SAR0_CH28_CH	0x40900F00	0x00000040	SAR0, Channel #28
535	PERI_MS_PPU_FX_PASS0_SAR0_CH29_CH	0x40900F40	0x00000040	SAR0, Channel #29
536	PERI_MS_PPU_FX_PASS0_SAR0_CH30_CH	0x40900F80	0x00000040	SAR0, Channel #30
537	PERI_MS_PPU_FX_PASS0_SAR0_CH31_CH	0x40900FC0	0x00000040	SAR0, Channel #31
538	PERI_MS_PPU_FX_PASS0_SAR1_CH0_CH	0x40901800	0x00000040	SAR1, Channel #0
539	PERI_MS_PPU_FX_PASS0_SAR1_CH1_CH	0x40901840	0x00000040	SAR1, Channel #1
540	PERI_MS_PPU_FX_PASS0_SAR1_CH2_CH	0x40901880	0x00000040	SAR1, Channel #2
541	PERI_MS_PPU_FX_PASS0_SAR1_CH3_CH	0x409018C0	0x00000040	SAR1, Channel #3
542	PERI_MS_PPU_FX_PASS0_SAR1_CH4_CH	0x40901900	0x00000040	SAR1, Channel #4
543	PERI_MS_PPU_FX_PASS0_SAR1_CH5_CH	0x40901940	0x00000040	SAR1, Channel #5
544	PERI_MS_PPU_FX_PASS0_SAR1_CH6_CH	0x40901980	0x00000040	SAR1, Channel #6
545	PERI_MS_PPU_FX_PASS0_SAR1_CH7_CH	0x409019C0	0x00000040	SAR1, Channel #7
546	PERI_MS_PPU_FX_PASS0_SAR1_CH8_CH	0x40901A00	0x00000040	SAR1, Channel #8
547	PERI_MS_PPU_FX_PASS0_SAR1_CH9_CH	0x40901A40	0x00000040	SAR1, Channel #9
548	PERI_MS_PPU_FX_PASS0_SAR1_CH10_CH	0x40901A80	0x00000040	SAR1, Channel #10
549	PERI_MS_PPU_FX_PASS0_SAR1_CH11_CH	0x40901AC0	0x00000040	SAR1, Channel #11
550	PERI_MS_PPU_FX_PASS0_SAR1_CH12_CH	0x40901B00	0x00000040	SAR1, Channel #12
551	PERI_MS_PPU_FX_PASS0_SAR1_CH13_CH	0x40901B40	0x00000040	SAR1, Channel #13
552	PERI_MS_PPU_FX_PASS0_SAR1_CH14_CH	0x40901B80	0x00000040	SAR1, Channel #14
553	PERI_MS_PPU_FX_PASS0_SAR1_CH15_CH	0x40901BC0	0x00000040	SAR1, Channel #15
554	PERI_MS_PPU_FX_PASS0_SAR1_CH16_CH	0x40901C00	0x00000040	SAR1, Channel #16
555	PERI_MS_PPU_FX_PASS0_SAR1_CH17_CH	0x40901C40	0x00000040	SAR1, Channel #17
556	PERI_MS_PPU_FX_PASS0_SAR1_CH18_CH	0x40901C80	0x00000040	SAR1, Channel #18
557	PERI_MS_PPU_FX_PASS0_SAR1_CH19_CH	0x40901CC0	0x00000040	SAR1, Channel #19
558	PERI_MS_PPU_FX_PASS0_SAR1_CH20_CH	0x40901D00	0x00000040	SAR1, Channel #20
559	PERI_MS_PPU_FX_PASS0_SAR1_CH21_CH	0x40901D40	0x00000040	SAR1, Channel #21
560	PERI_MS_PPU_FX_PASS0_SAR1_CH22_CH	0x40901D80	0x00000040	SAR1, Channel #22
561	PERI_MS_PPU_FX_PASS0_SAR1_CH23_CH	0x40901DC0	0x00000040	SAR1, Channel #23
562	PERI_MS_PPU_FX_PASS0_SAR1_CH24_CH	0x40901E00	0x00000040	SAR1, Channel #24
563	PERI_MS_PPU_FX_PASS0_SAR1_CH25_CH	0x40901E40	0x00000040	SAR1, Channel #25
564	PERI_MS_PPU_FX_PASS0_SAR1_CH26_CH	0x40901E80	0x00000040	SAR1, Channel #26
565	PERI_MS_PPU_FX_PASS0_SAR1_CH27_CH	0x40901EC0	0x00000040	SAR1, Channel #27
566	PERI_MS_PPU_FX_PASS0_SAR1_CH28_CH	0x40901F00	0x00000040	SAR1, Channel #28
567	PERI_MS_PPU_FX_PASS0_SAR1_CH29_CH	0x40901F40	0x00000040	SAR1, Channel #29
568	PERI_MS_PPU_FX_PASS0_SAR1_CH30_CH	0x40901F80	0x00000040	SAR1, Channel #30
569	PERI_MS_PPU_FX_PASS0_SAR1_CH31_CH	0x40901FC0	0x00000040	SAR1, Channel #31
570	PERI_MS_PPU_FX_PASS0_SAR2_CH0_CH	0x40902800	0x00000040	SAR2, Channel #0
571	PERI_MS_PPU_FX_PASS0_SAR2_CH1_CH	0x40902840	0x00000040	SAR2, Channel #1
572	PERI_MS_PPU_FX_PASS0_SAR2_CH2_CH	0x40902880	0x00000040	SAR2, Channel #2
573	PERI_MS_PPU_FX_PASS0_SAR2_CH3_CH	0x409028C0	0x00000040	SAR2, Channel #3

Peripheral protection unit fixed structure pairs

**Table 22-1 PPU fixed structure pairs** (continued)

Pair no.	PPU fixed structure pair	Address	Size	Description
574	PERI_MS_PPU_FX_PASS0_SAR2_CH4_CH	0x40902900	0x00000040	SAR2, Channel #4
575	PERI_MS_PPU_FX_PASS0_SAR2_CH5_CH	0x40902940	0x00000040	SAR2, Channel #5
576	PERI_MS_PPU_FX_PASS0_SAR2_CH6_CH	0x40902980	0x00000040	SAR2, Channel #6
577	PERI_MS_PPU_FX_PASS0_SAR2_CH7_CH	0x409029C0	0x00000040	SAR2, Channel #7
578	PERI_MS_PPU_FX_PASS0_TOP	0x409F0000	0x00001000	PASS0 SAR main

## 23 Bus masters

The Arbiter (part of flash controller) performs priority-based arbitration based on the master identifier. Each bus master has a dedicated 4-bit master identifier. This master identifier is used for bus arbitration and IPC functionality.

**Table 23-1 Bus masters for access and protection control**

<b>ID No.</b>	<b>Master ID</b>	<b>Description</b>
0	CPUSS_MS_ID_CM0	Master ID for CM0+
1	CPUSS_MS_ID_CRYPT0	Master ID for Crypto
2	CPUSS_MS_ID_DW0	Master ID for P-DMA0
3	CPUSS_MS_ID_DW1	Master ID for P-DMA1
4	CPUSS_MS_ID_DMAC	Master ID for M-DMA0
5	CPUSS_MS_ID_SLOW0	Master ID for External AHB-Lite Master 0 (SDHC)
6	CPUSS_MS_ID_SLOW1	Master ID for External AHB-Lite Master 1 (ETH0)
13	CPUSS_MS_ID_CM7_1	Master ID for CM7_1
14	CPUSS_MS_ID_CM7_0	Master ID for CM7_0
15	CPUSS_MS_ID_TC	Master ID for DAP Tap Controller

Miscellaneous configuration

## 24 Miscellaneous configuration

**Table 24-1 Miscellaneous configuration for CYT3BB/4BB devices**

Sl. No.	Configuration	Number/instances	Description
0	SRSS_NUM_CLKPATH	7	Number of clock paths. One for each of FLL, PLL, Direct and CSV
1	SRSS_NUM_HFROOT	8	Number of CLK_HFs present
2	PERI_PC_NR	8	Number of protection contexts
3	PERI_PERI_PCLK_PCLK_GROUP_NR	2	Number of asynchronous PCLK groups
4	PERI_PERI_PCLK_PCLK_GROUP_NR0_GR_DIV_8_VECT	3	Group 0, Number of divide-by-8 clock dividers
5	PERI_PERI_PCLK_PCLK_GROUP_NR0_GR_DIV_16_VECT	1	Group 0, Number of divide-by-16 clock dividers
7	PERI_PERI_PCLK_PCLK_GROUP_NR0_GR_CLOCK_VECT	6	Group 0, Number of programmable clocks [1, 256]
8	PERI_PERI_PCLK_PCLK_GROUP_NR1_GR_DIV_8_VECT	16	Group 1, Number of divide-by-8 clock dividers
9	PERI_PERI_PCLK_PCLK_GROUP_NR1_GR_DIV_16_VECT	17	Group 1, Number of divide-by-16 clock dividers
10	PERI_PERI_PCLK_PCLK_GROUP_NR1_GR_DIV_24_5_VECT	16	Group 1, Number of divide-by-24.5 clock dividers
11	PERI_PERI_PCLK_PCLK_GROUP_NR1_GR_CLOCK_VECT	121	Group 1, Number of programmable clocks [1, 256]
12	CPUSS_CM0P_MPU_NR	8	Number of MPU regions in CM0+
13	CPUSS_CM7_0_FPU_LVL	2	CM7_0 Floating point unit configuration. 0 - No FPU 1 - Single precision FPU 2 - Single and Double precision FPU
14	CPUSS_CM7_0_MPU_NR	16	Number of MPU regions in CM7_0
15	CPUSS_CM7_0_ICACHE_SIZE	16	CM7_0 Instruction cache (ICACHE) size in KB
16	CPUSS_CM7_0_DCACHE_SIZE	16	CM7_0 Data cache size (DCACHE) in KB
17	CPUSS_CM7_0_ITCM_SIZE	16	CM7_0 Instruction TCM (ITCM) size in KB
18	CPUSS_CM7_0_DTCM_SIZE	16	CM7_0 Data TCM (DTCM) size in KB
19	CPUSS_CM7_1_FPU_LVL	2	CM7_1 Floating point unit configuration. 0 - No FPU 1 - Single precision FPU 2 - Single and Double precision FPU
20	CPUSS_CM7_1_MPU_NR	16	Number of MPU regions in CM7_1
21	CPUSS_CM7_1_ICACHE_SIZE	16	CM7_1 Instruction cache (ICACHE) size in KB
22	CPUSS_CM7_1_DCACHE_SIZE	16	CM7_1 Data cache size (DCACHE) in KB
23	CPUSS_CM7_1_ITCM_SIZE	16	CM7_1 Instruction TCM (ITCM) size in KB
24	CPUSS_CM7_1_DTCM_SIZE	16	CM7_1 Data TCM (DTCM) size in KB
25	CPUSS_DW0_CH_NR	100	Number of P-DMA0 channels
26	CPUSS_DW1_CH_NR	58	Number of P-DMA1 channels
27	CPUSS_DMACH_CH_NR	8	Number of M-DMA0 controller channels
28	CPUSS_CRYPTO_BUFF_SIZE	2048	Number of 32-bit words in the IP internal memory buffer (to allow for a 256-B, 512-B, 1-KB, 2-KB, 4-KB, 8-KB, 16-KB, and 32-KB memory buffer)
29	CPUSS_FAULT_FAULT_NR	4	Number of fault structures
30	CPUSS_IPC_IPC_NR	8	Number of IPC structures 0 - Reserved for CM0+ access 1 - Reserved for CM7_0 access 2 - Reserved for CM7_1 access 3 - Reserved for DAP access Remaining for user purposes
31	CPUSS_PROT_SMPU_STRUCT_NR	16	Number of S MPU protection structures
32	SCB0_EZ_DATA_NR	256	Number of EZ memory bytes. This memory is used in EZ mode, CMD_RESP mode and FIFO mode. Note: Only SCB0 supports EZ mode
33	TCPWM0_TR_ONE_CNT_NR	3	Number of input triggers per counter, routed to one counter
34	TCPWM0_TR_ALL_CNT_NR	27	Number of input triggers routed to all counters, based on the pin package
35	TCPWM0_GRP_NR	3	Number of TCPWM0 counter groups
36	TCPWM0_GRP_NR0_GRP_GRP_CNT_NR	63	Number of counters per TCPWM0 Group #0

Miscellaneous configuration

**Table 24-1** Miscellaneous configuration for CYT3BB/4BB devices (continued)

Sl. No.	Configuration	Number/instances	Description
37	TCPWM0_GRP_NR0_CNT_GRP_CNT_WIDTH	16	Counter width in number of bits per TCPWM0 Group #0
38	TCPWM0_GRP_NR1_GRP_GRP_CNT_NR	12	Number of counters per TCPWM0 Group #1
39	TCPWM0_GRP_NR1_CNT_GRP_CNT_WIDTH	16	Counter width in number of bits per TCPWM0 Group #1
40	TCPWM0_GRP_NR2_GRP_GRP_CNT_NR	8	Number of counters per TCPWM0 Group #2
41	TCPWM0_GRP_NR2_CNT_GRP_CNT_WIDTH	32	Counter width in number of bits per TCPWM0 Group #2
42	CANFD0_MRAM_SIZE / CANFD1_MRAM_SIZE	32	Message RAM size in KB shared by all the channels
43	EVTGEN_COMP_STRUCT_NR	16	Number of Event Generator comparator structures

## **25 Development support**

CYT3BB/4BB has a rich set of documentation, programming tools, and online resources to assist during the development process. Visit [www.infineon.com](http://www.infineon.com) to find out more.

### **25.1 Documentation**

A suite of documentation supports CYT3BB/4BB to ensure that you can find answers to your questions quickly. This section contains a list of some of the key documents.

#### **25.1.1 Software user guide**

A step-by-step guide for using the sample driver library along with third-party IDEs such as IAR EWARM and GHS Multi.

#### **25.1.2 Technical reference manual**

The Technical reference manual (TRM) contains all the technical detail needed to use a CYT3BB/4BB device, including a complete description of all registers. The TRM is available in the documentation section at [www.infineon.com](http://www.infineon.com).

### **25.2 Tools**

CYT3BB/4BB is supported on third-party development tool ecosystems such as IAR and GHS. CYT3BB/4BB is also supported by Infineon programming utilities for programming, erasing, or reading using Infineon's MiniProg4 or Segger J-link. More details are available in the documentation section at [www.infineon.com](http://www.infineon.com).

## 26 Electrical specifications

### 26.1 Absolute maximum ratings

Use of this device under conditions outside the Min and Max limits listed in [Table 26-1](#) may cause permanent damage to the device. Exposure to conditions within the limits of [Table 26-1](#) but beyond those of normal operation for extended periods of time may affect device reliability. The maximum storage temperature is 150 °C in compliance with JEDEC Standard JESD22-A103, High Temperature Storage Life. When operated under conditions within the limits of [Table 26-1](#) but beyond those of normal operation, the device may not operate to specification.

#### Power considerations

The average chip-junction temperature,  $T_J$ , in °C, may be calculated using Equation 1:

$$T_J = T_A + (P_D \times \theta_{JA}) \quad \text{Equation. 1}$$

Where:

$T_A$  is the ambient temperature in °C.

$\theta_{JA}$  is the package junction-to-ambient thermal resistance, in °C/W.

$P_D$  is the sum of  $P_{INT}$  and  $P_{IO}$  ( $P_D = P_{INT} + P_{IO}$ ).

$P_{INT}$  is the chip internal power. ( $P_{INT} = V_{DD} \times I_{DD} + V_{DDA} \times I_A$ )

$P_{IO}$  represents the power dissipation on input and output pins; user determined.

For most applications,  $P_{IO} < P_{INT}$  and may be neglected.

On the other hand,  $P_{IO}$  may be significant if the device is configured to continuously drive external modules and/or memories.

#### WARNING:

- The recommended operating conditions are required to ensure the normal operation of the semiconductor device. All of the device's electrical characteristics are guaranteed when the device is operated under these conditions.
- Operation under any conditions other than those mentioned in the respective “Details/Conditions” may adversely affect reliability of the device and can result in device failure.
- No guarantee is made with respect to any use, operating conditions, or combinations not represented in this datasheet. If you want to operate the device under any condition other than those listed herein, contact the sales representatives.

Electrical specifications

**Table 26-1 Absolute maximum ratings**

Spec ID	Parameter	Description	Min	Typ	Max	Units	Details/ conditions
SID10	V <sub>DDD_ABS</sub>	V <sub>DDD</sub> power supply voltage <sup>[42]</sup>	V <sub>SSD</sub> - 0.3	-	V <sub>SSD</sub> + 6.0	V	For ports 0, 1, 2, 3, 4, 5, 16, 17, 18, 19, 20, 21, 22, 23, 28, 29, 30, 31
SID10B	V <sub>DDIO_1_ABS</sub>	V <sub>DDIO_1</sub> power supply voltage <sup>[42]</sup>	V <sub>SSD</sub> - 0.3	-	V <sub>SSD</sub> + 6.0	V	For ports 6, 7, 8, 9, 32
SID10C	V <sub>DDIO_2_ABS</sub>	V <sub>DDIO_2</sub> power supply voltage <sup>[42]</sup>	V <sub>SSD</sub> - 0.3	-	V <sub>SSD</sub> + 6.0	V	For ports 10, 11, 12, 13, 14, 15, 26, 27
SID10D	V <sub>DDIO_3_ABS</sub>	V <sub>DDIO_3</sub> power supply voltage <sup>[42]</sup>	V <sub>SSIO_3</sub> - 0.3	-	V <sub>SSIO_3</sub> + 4.0	V	For ports 24, 25
SID11	V <sub>DDA_ABS</sub>	V <sub>DDA</sub> analog power supply voltage <sup>[42]</sup>	V <sub>SSA</sub> - 0.3	-	V <sub>SSA</sub> + 6.0	V	V <sub>DDIO_2</sub> = V <sub>DDA</sub>
SID12	V <sub>REFH_ABS</sub>	Analog reference voltage, HIGH <sup>[42]</sup>	V <sub>SSA</sub> - 0.3	-	V <sub>SSA</sub> + 6.0	V	V <sub>REFH</sub> ≤ (V <sub>DDA</sub> + 0.3 V)
SID12A	V <sub>REFL_ABS</sub>	Analog reference voltage, LOW <sup>[42]</sup>	V <sub>SSA</sub> - 0.3	-	V <sub>SSA</sub> + 0.3	V	
SID13	V <sub>CCD_ABS</sub>	V <sub>CCD</sub> Power supply voltage <sup>[42]</sup>	V <sub>SSD</sub> - 0.3	-	V <sub>SSD</sub> + 1.21	V	
SID15A	V <sub>I0_ABS</sub>	Input voltage <sup>[42]</sup>	V <sub>SSD</sub> - 0.5	-	V <sub>DDD</sub> + 0.5	V	For ports 0, 1, 2, 3, 4, 5, 16, 17, 18, 19, 20, 21, 22, 23, 28, 29, 30, 31
SID15B	V <sub>I1_ABS</sub>	Input voltage <sup>[42]</sup>	V <sub>SSD</sub> - 0.5	-	V <sub>DDIO_1</sub> + 0.5	V	For ports 6, 7, 8, 9, 32
SID15C1	V <sub>I2_ABS</sub>	Input voltage <sup>[42]</sup>	V <sub>SSD</sub> - 0.5	-	V <sub>DDIO_2</sub> + 0.5	V	For ports 10, 11, 12, 13, 14, 15, 26, 27
SID15D	V <sub>I3_ABS</sub>	Input voltage <sup>[42]</sup>	V <sub>SSIO_3</sub> - 0.5	-	V <sub>DDIO_3</sub> + 0.5	V	For ports 24, 25
SID15F	V <sub>I5_ABS</sub>	Input voltage <sup>[42]</sup>	V <sub>SSD</sub> - 0.5	-	V <sub>DDD</sub> + 0.5	V	For EXT_PS_CTL0 in external PMIC/transistor mode, EXT_PS_CTL1 in external transistor mode.
SID16	V <sub>IA_ABS</sub>	Analog input voltage <sup>[42]</sup>	V <sub>SSA</sub> - 0.3	-	V <sub>DDA</sub> + 0.3	V	
SID17A	V <sub>O0_ABS</sub>	Output voltage <sup>[42]</sup>	V <sub>SSD</sub> - 0.3	-	V <sub>DDD</sub> + 0.3	V	For ports 0, 1, 2, 3, 4, 5, 16, 17, 18, 19, 20, 21, 22, 23, 28, 29, 30, 31
SID17B	V <sub>O1_ABS</sub>	Output voltage <sup>[42]</sup>	V <sub>SSD</sub> - 0.3	-	V <sub>DDIO_1</sub> + 0.3	V	For ports 6, 7, 8, 9, 32
SID17C1	V <sub>O2_ABS</sub>	Output voltage <sup>[42]</sup>	V <sub>SSD</sub> - 0.3	-	V <sub>DDIO_2</sub> + 0.3	V	For ports 10, 11, 12, 13, 14, 15, 26, 27
SID17D	V <sub>O3_ABS</sub>	Output voltage <sup>[42]</sup>	V <sub>SSIO_3</sub> - 0.3	-	V <sub>DDIO_3</sub> + 0.3	V	For ports 24, 25

**Note**

<sup>42</sup>.These parameters are based on the condition that V<sub>SSD</sub> = V<sub>SSA</sub> = V<sub>SSIO\_3</sub> = 0.0 V.



**Table 26-1 Absolute maximum ratings (continued)**

Spec ID	Parameter	Description	Min	Typ	Max	Units	Details/ conditions
SID17F	V <sub>O4_ABS</sub>	Output voltage <sup>[42]</sup>	V <sub>SSD</sub> - 0.3	-	V <sub>DDD</sub> + 0.3	V	For EXT_PS_CTL1/2 in external PMIC mode, DRV_VOUT in external transistor mode
SID18	I <sub>CLAMP_ABS</sub>	Maximum clamp current <sup>[43,44,45]</sup>	-5	-	5	mA	
SID18A	I <sub>CLAMP_SUPPLY_POS_ABS</sub>	Maximum positive clamp current per I/O supply pin. Limit applies to I/O supply pin closest to the B+ injected current <sup>[46]</sup>	-	-	10	mA	+B injected DC current is not allowed for Ports 11 and 21.
SID18B	I <sub>CLAMP_SUPPLY_NEG_ABS</sub>	Maximum negative clamp current per I/O ground pin. Limit applies to I/O supply pin closest to the B+ injected current <sup>[46]</sup>	-	-	10	mA	+B injected DC current is not allowed for Ports 11 and 21.
SID18C	I <sub>CLAMP_TOTAL_POS_ABS</sub>	Maximum positive clamp current per I/O supply, if not limited by the per supply pin (based on SID18A).	-	-	50	mA	
SID18D	I <sub>CLAMP_TOTAL_NEG_ABS</sub>	Maximum negative clamp current per I/O ground, if not limited by the per supply pin (based on SID18B).	-	-	50	mA	
SID20A	I <sub>OL1A_ABS</sub>	LOW-level maximum output current <sup>[47]</sup>	-	-	6	mA	GPIO_STD, configured for drive_sel<1:0>= 0b0X
SID20B	I <sub>OL1B_ABS</sub>	LOW-level maximum output current <sup>[47]</sup>	-	-	2	mA	GPIO_STD, configured for drive_sel<1:0>= 0b10
SID20C	I <sub>OL1C_ABS</sub>	LOW-level maximum output current <sup>[47]</sup>	-	-	1	mA	GPIO_STD, configured for drive_sel<1:0>= 0b11
SID21A	I <sub>OL2A_ABS</sub>	LOW-level maximum output current <sup>[47]</sup>	-	-	6	mA	GPIO_ENH, configured for drive_sel<1:0>= 0b0X

**Notes**

- 43. A current-limiting resistor must be provided such that the current at the I/O pin does not exceed rated values at any time, including during power transients. Refer to **Figure 26-1** for more information on the recommended circuit.
- 44. V<sub>DDD</sub> and V<sub>DDIO</sub> must be sufficiently loaded or protected to prevent them from being pulled out of the recommended operating range by the clamp current.
- 45. When the conditions of [43], [44] and SID18A/B/C/D are met, |I<sub>CLAMP\_ABS</sub>| supersedes V<sub>IA\_ABS</sub> and V<sub>I\_ABS</sub>.
- 46. The definition of “closer” depends on the package. In TEQFP packaging, “closest” is determined by counting pins. For example, in a 176-TEQFP package, P17.4 (pin 120) is closer to the V<sub>DDD</sub> on pin 110 than on pin 132. Ports 11 and 21 should not be used for injection currents. The impact of injection currents is only defined for GPIO\_STD/GPIO\_ENH type I/Os. In BGA packaging, the following IO port groups are treated as having separate supply pins: Ports 0, 1, 2, 22, 23, and 28; Ports 3, 4, 5, 29, 30, and 31; Ports 6, 7, 8, 9, and 32; Ports 10, 12, 13, 14, 15, 26, and 27; Ports 16 and 17; Ports 18, 19, and 20.
- 47. The maximum output current is the peak current flowing through any one I/O.

**Table 26-1 Absolute maximum ratings (continued)**

Spec ID	Parameter	Description	Min	Typ	Max	Units	Details/ conditions
SID21B	$I_{OL2B\_ABS}$	LOW-level maximum output current <sup>[47]</sup>	-	-	2	mA	GPIO_ENH, configured for drive_sel<1:0>= 0b10
SID21C	$I_{OL2C\_ABS}$	LOW-level maximum output current <sup>[47]</sup>	-	-	1	mA	GPIO_ENH, configured for drive_sel<1:0>= 0b11
SID22A	$I_{OL3A\_ABS}$	LOW-level maximum output current <sup>[47]</sup>	-	-	10	mA	HSIO, configured for drive_sel<1:0>= 0b00
SID22B	$I_{OL3B\_ABS}$	LOW-level maximum output current <sup>[47]</sup>	-	-	2	mA	HSIO, configured for drive_sel<1:0>= 0b01
SID22C	$I_{OL3C\_ABS}$	LOW-level maximum output current <sup>[47]</sup>	-	-	1	mA	HSIO, configured for drive_sel<1:0>= 0b10
SID22D	$I_{OL3D\_ABS}$	LOW-level maximum output current <sup>[48]</sup>	-	-	0.5	mA	HSIO, configured for drive_sel<1:0>= 0b11
SID23A	$I_{OL4A\_ABS}$	Sink maximum current <sup>[48]</sup>	-	-	4	mA	For pin EXT_PS_CTL1 in external PMIC mode and internal regulator mode and pin EXT_PS_CTL2 in external PMIC mode
SID23B	$I_{OL4B\_ABS}$	Sink average current <sup>[50]</sup>	-	-	1	mA	For pin EXT_PS_CTL1 in external PMIC mode and internal regulator mode and pin EXT_PS_CTL2 in external PMIC mode
SID23C	$I_{OL4C\_ABS}$	Sink maximum current <sup>[47]</sup>	-	-	25	mA	For pin DRV_VOUT in external transistor mode
SID26A	$\sum I_{OL\_ABS\_GP}$ IO	LOW-level total output current <sup>[49]</sup>	-	-	50	mA	
SID26B	$\sum I_{OL\_ABS\_HS}$ IO	LOW-level total output current <sup>[52]</sup>	-	-	85	mA	
SID27A	$I_{OH1A\_ABS}$	HIGH-level maximum output current <sup>[48]</sup>	-	-	-5	mA	GPIO_STD, configured for drive_sel<1:0>= 0b0X

**Table 26-1 Absolute maximum ratings** (continued)

Spec ID	Parameter	Description	Min	Typ	Max	Units	Details/ conditions
SID27B	I <sub>OH1B_ABS</sub>	HIGH-level maximum output current <sup>[48]</sup>	-	-	-2	mA	GPIO_STD, configured for drive_sel<1:0>= 0b10
SID27C	I <sub>OH1C_ABS</sub>	HIGH-level maximum output current <sup>[48]</sup>	-	-	-1	mA	GPIO_STD, configured for drive_sel<1:0>= 0b11
SID28A	I <sub>OH2A_ABS</sub>	HIGH-level maximum output current <sup>[48]</sup>	-	-	-5	mA	GPIO_ENH, configured for drive_sel<1:0>= 0b0X
SID28B	I <sub>OH2B_ABS</sub>	HIGH-level maximum output current <sup>[48]</sup>	-	-	-2	mA	GPIO_ENH, configured for drive_sel<1:0>= 0b10
SID28C	I <sub>OH2C_ABS</sub>	HIGH-level maximum output current <sup>[48]</sup>	-	-	-1	mA	GPIO_ENH, configured for drive_sel<1:0>= 0b11
SID29A	I <sub>OH3A_ABS</sub>	HIGH-level maximum output current <sup>[48]</sup>	-	-	-10	mA	HSIO, configured for drive_sel<1:0>= 0b00
SID29B	I <sub>OH3B_ABS</sub>	HIGH-level maximum output current <sup>[48]</sup>	-	-	-2	mA	HSIO, configured for drive_sel<1:0>= 0b01
SID29C	I <sub>OH3C_ABS</sub>	HIGH-level maximum output current <sup>[48]</sup>	-	-	-1	mA	HSIO, configured for drive_sel<1:0>= 0b10
SID29D	I <sub>OH3D_ABS</sub>	HIGH-level maximum output current <sup>[48]</sup>	-	-	-0.5	mA	HSIO, configured for drive_sel<1:0>= 0b11
SID30A	I <sub>OH4A_ABS</sub>	Source maximum current <sup>[48]</sup>	-	-	-4	mA	For pin EXT_PS_CTL1 in external PMIC mode and internal regulator mode and pin EXT_PS_CTL2 in external PMIC mode.
SID30B	I <sub>OH4B_ABS</sub>	Source maximum current <sup>[48]</sup>	-	-	-25	mA	For pin DRV_VOUT in external transistor mode.

**Notes**

48. The maximum output current is the peak current flowing through any one I/O.

49. The total output current is the maximum current flowing through all GPIO\_STD and GPIO\_ENH I/Os.

Electrical specifications

**Table 26-1 Absolute maximum ratings (continued)**

Spec ID	Parameter	Description	Min	Typ	Max	Units	Details/ conditions
SID30C	$I_{OH4C\_ABS}$	Source average current <sup>[50]</sup>	-	-	-1	mA	For pin EXT_PS_CTL1 in external PMIC mode and internal regulator mode and pin EXT_PS_CTL2 in external PMIC mode.
SID30D	$I_{OH4D\_ABS}$	Source average current <sup>[50]</sup>	-	-	-12	mA	For pin DRV_VOUT in external transistor mode.
SID33A	$\Sigma I_{OH\_ABS\_G\_PIO}$	HIGH-level total output current <sup>[51]</sup>	-	-	-50	mA	
SID33B	$\Sigma I_{OH\_ABS\_H\_SIO}$	HIGH-level total output current <sup>[52]</sup>	-	-	-85	mA	
SID33D	PIO	Total output power dissipation <sup>[53]</sup>	-	-	307	mW	
SID34	$P_D$	Power dissipation for external PMIC/transistor mode	-	-	1000	mW	$T_J$ should not exceed 150 °C
SID34A	$P_D$	Power dissipation for internal regulator mode	-	-	2000	mW	$T_J$ should not exceed 150 °C
SID35	$T_A$	Ambient temperature	-40	-	105	°C	For S-grade devices
SID36	$T_A$	Ambient temperature	-40	-	125	°C	For E-grade devices
SID37	$T_{STG}$	Storage temperature	-55	-	150	°C	
SID38	$T_J$	Operating junction temperature	-40	-	150	°C	
SID39A	$V_{ESD\_HBM}$	Electrostatic discharge human body model	2000	-	-	V	
SID39B1	$V_{ESD\_CDM1}$	Electrostatic discharge charged device model for corner pins	750	-	-	V	
SID39B2	$V_{ESD\_CDM2}$	Electrostatic discharge charged device model for all other pins	500	-	-	V	
SID39C	$I_{LU}$	The maximum pin current the device can tolerate before triggering a latch-up	-100	-	100	mA	

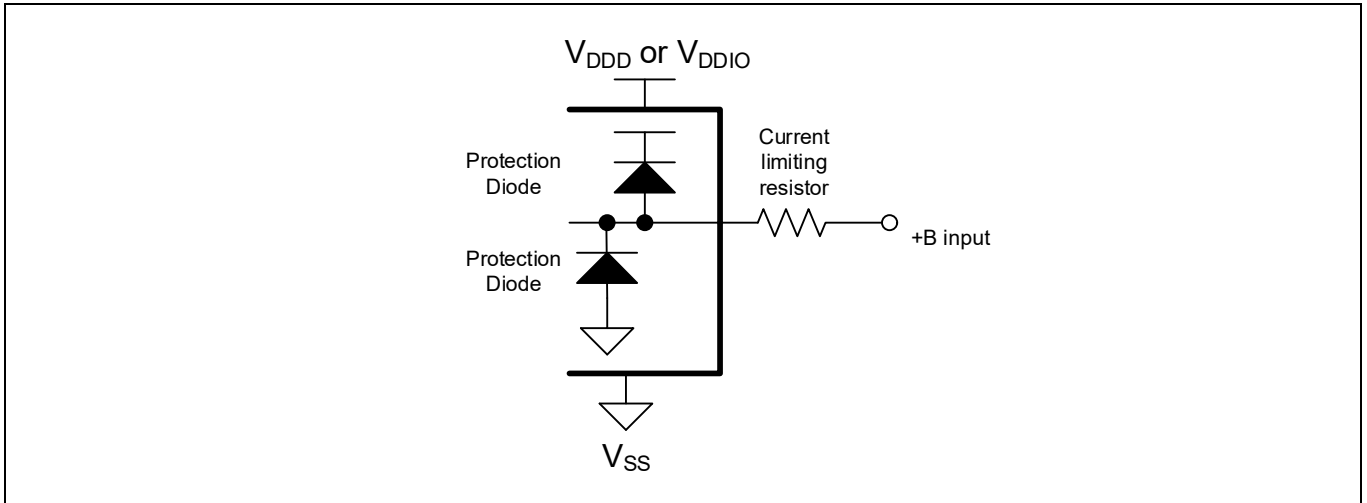
**Notes**

50. The average output current is defined as the value of the average current flowing through any one of the corresponding pins for a 10 ms period. The average value is the operation current × the operation ratio. The operation current period over the average current spec should be less than 100 ns.

51. The total output current is the maximum current flowing through all GPIO\_STD and GPIO\_ENH I/Os.

52. The total output current is the maximum current flowing through all HSIO\_STD I/Os.

53. The total output power dissipation is the maximum power dissipation flowing through all I/Os.  $PIO = (V_{DD}, V_{DDIO\_1}, V_{DDIO\_2}) \times (|\Sigma I_{OH\_ABS\_GPIO}| + |\Sigma I_{OL\_ABS\_GPIO}|) + V_{DDIO\_3} \times (|\Sigma I_{OH\_ABS\_HSIO}| + |\Sigma I_{OL\_ABS\_HSIO}|)$



**Figure 26-1** Example of a recommended circuit<sup>[54]</sup>

**WARNING:**

Semiconductor devices may be permanently damaged by application of stress (including, without limitation, voltage, current, or temperature) in excess of absolute maximum ratings. Do not exceed any of these ratings.

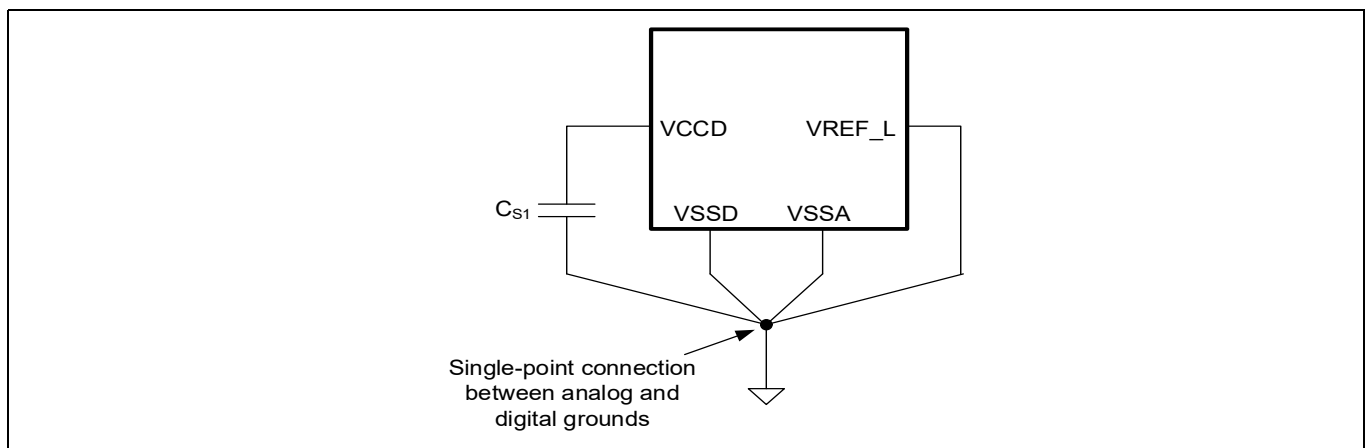
**Note**

54. +B is the positive battery voltage around 45 V.

## 26.2 Device-level specifications

**Table 26-2 Recommended operating conditions**

Spec ID	Parameter	Description	Min	Typ	Max	Units	Details/conditions
<b>Recommended operating conditions</b>							
SID40	$V_{DDD}$ , $V_{DDA}$ , $V_{DDIO\_1}$ , $V_{DDIO\_2}$	Power supply voltage <sup>[55]</sup>	2.7 <sup>[56]</sup>	–	5.5 <sup>[57]</sup>	V	
SID40A	$V_{DDIO\_1\_EFP}$	Power supply voltage for eFuse programming <sup>[58]</sup>	3	–	5.5	V	
SID40B	$V_{DDIO\_3}$	Power supply voltage	2.7	–	3.6	V	
SID40C	$V_{CCD}$	External $V_{CCD}$ power supply	1.10	1.15	1.20	V	External $V_{CCD}$ power supply range when externally supplying $V_{CCD}$
SID41	$C_{S1}$	Smoothing capacitor <sup>[59, 60]</sup>	6.79	–	22	μF	



**Figure 26-2 Smoothing capacitor**

Smoothing capacitor should be placed as close as possible to the  $V_{CCD}$  pin.

### Notes

55.  $V_{DDD}$ ,  $V_{DDIO\_1}$ ,  $V_{DDIO\_2}$ ,  $V_{DDIO\_3}$ , and  $V_{DDA}$  do not have any sequencing limitation and can establish in any order. These supplies (except  $V_{DDA}$  and  $V_{DDIO\_2}$ ) are independent in voltage level. See 12-Bit SAR ADC DC Specifications when using ADC units.
56.  $3.0\text{ V} \pm 10\%$  is supported with a lower BOD setting option for  $V_{DDD}$  and  $V_{DDA}$ . This setting provides robust protection for internal timing but BOD reset occurs at a voltage below the specified operating conditions. A higher BOD setting option is available (consistent with down to 3.0 V) and guarantees that all operating conditions are met.
57.  $5.0\text{ V} \pm 10\%$  is supported with a higher OVD setting option for  $V_{DDD}$  and  $V_{DDA}$ . This setting provides robust protection for internal and interface timing, but OVD reset occurs at a voltage above the specified operating conditions. A lower OVD setting option is available (consistent with up to 5.0 V) and guarantees that all operating conditions are met. Voltage overshoot to a higher OVD setting range for  $V_{DDD}$  and  $V_{DDA}$  is permissible, provided the duration is less than 2 hours cumulated. Note that during overshoot voltage condition electrical parameters are not guaranteed.
58. eFuse programming must be executed with the part in a “quiet” state, with minimal activity (preferably only JTAG or a single LIN/CAN channel on  $V_{DDD}$  domain, no activity on  $V_{DDIO\_1}$ ).
59. Smoothing capacitor,  $C_{S1}$  is required per chip (not per  $V_{CCD}$  pin). The  $V_{CCD}$  pins must be connected together to ensure a low-impedance connection (see the requirement in [Figure 26-2](#)).
60. Capacitors used for power supply decoupling or filtering are operated under a continuous DC-bias. Many capacitors used with DC power across them provide less than their target capacitance, and their capacitance is not constant across their working voltage range. When selecting capacitors for use with this device, ensure that the selected components provide the required capacitance under the specific operating conditions of temperature and voltage used in your design. While the temperature coefficient is normally found within a part’s catalog (such as, X7R, C0G, Y5V), the matching voltage coefficient may only be available on the component datasheet or direct from the manufacturer. Use of components that do not provide the required capacitance under the actual operating conditions may cause the device to operate to less than datasheet specifications.

## 26.3 DC specifications

**Table 26-3 DC specifications, CPU current, and transition time specifications**

All specifications are valid for  $-40\text{ °C} \leq T_A \leq 125\text{ °C}$  and for 2.7 V to 5.5 V except where noted.

Spec ID	Parameter	Description	Min	Typ	Max	Units	Details/conditions
<b>Active/sleep mode</b>							
SID49C14	$I_{DD\_VDDD\_CM07\_8\_1\_4M}$	$V_{DD}$ current in internal regulator mode, LPACTIVE mode (CM0+ and CM7_0 at 8 MHz, all peripherals are disabled)	–	9	13	mA	CM0+ and CM7_0 clocked at 8 MHz with IMO. CM7_1 powered off. All peripherals are disabled. No IO toggling. CM0+ and CM7_0 executing Dhrystone from flash with cache enabled. Typ: $T_A = 25\text{ °C}$ , $V_{DD} = 5.0\text{ V}$ , process typ (TT) Max: $T_A = 25\text{ °C}$ , $V_{DD} = 5.5\text{ V}$ , process worst (FF)
SID49C4	$I_{DD\_VDDD\_CM07\_8\_4M}$	$V_{DD}$ current in internal regulator mode, LPACTIVE mode (CM0+ and CM7_0 at 8 MHz, all peripherals are enabled)	–	10	141	mA	CM0+ and CM7_0 clocked at 8 MHz with IMO. CM7_1 powered off. All peripherals are enabled. No IO toggling. CM0+ and CM7_0 executing Dhrystone from flash with cache enabled. M-DMA transferring data from code + work flash, P-DMA chains with maximum trigger activity. Typ: $T_A = 25\text{ °C}$ , $V_{DD} = 5.0\text{ V}$ , process typ (TT) Max: $T_A = 105\text{ °C}$ , $V_{DD} = 5.5\text{ V}$ , process worst (FF)
SID49G1	$I_{DD1\_VCCD\_CM7\_250}$	$V_{CCD}$ current in external PMIC/transistor mode, Active mode (CM7_0 at 250 MHz, CM0+ at 80 MHz, all peripherals are enabled)	–	82	240	mA	PLL enabled at 250 MHz with ECO reference. All peripherals are enabled. No IO toggling. CM7_1 powered off. CM7_0 and CM0+ executing Dhrystone from flash with cache enabled. M-DMA transferring data from code + work flash, P-DMA chains with maximum trigger activity. Typ: $T_A = 25\text{ °C}$ , $V_{DD} = 5.0\text{ V}$ , process typ (TT) Max: $T_A = 125\text{ °C}$ , $V_{DD} = 5.5\text{ V}$ , process worst (FF)

Electrical specifications

**Table 26-3 DC specifications, CPU current, and transition time specifications** (continued)

All specifications are valid for  $-40\text{ °C} \leq T_A \leq 125\text{ °C}$  and for 2.7 V to 5.5 V except where noted.

Spec ID	Parameter	Description	Min	Typ	Max	Units	Details/conditions
SID49G2	$I_{DD1\_VDDD\_CM7\_250}$	$V_{DDD}$ current in external PMIC/transistor mode, Active mode (CM7_0 at 250 MHz, CM0+ at 80 MHz, all peripherals are enabled)	-	7	9	mA	PLL enabled at 250 MHz with ECO reference. All peripherals are enabled. No IO toggling. CM7_1 powered off. CM7_0 and CM0+ executing Dhrystone from flash with cache enabled. M-DMA transferring data from code + work flash, P-DMA chains with maximum trigger activity. Typ: $T_A = 25\text{ °C}$ , $V_{DDD} = 5.0\text{ V}$ , process typ (TT) Max: $T_A = 125\text{ °C}$ , $V_{DDD} = 5.5\text{ V}$ , process worst (FF)
SID50G1	$I_{DD1\_VCCD\_F250}$	$V_{CCD}$ current in external PMIC/transistor mode, Active mode (CM7 CPUs at 250 MHz, CM0+ at 80 MHz, all peripherals are enabled)	-	124	287	mA	PLL enabled at 250 MHz with ECO reference. All peripherals are enabled. No IO toggling. CM7 CPUs and CM0+ executing Dhrystone from flash with cache enabled. M-DMA transferring data from code + work flash, P-DMA chains with maximum trigger activity. Typ: $T_A = 25\text{ °C}$ , $V_{DDD} = 5.0\text{ V}$ , process typ (TT) Max: $T_A = 125\text{ °C}$ , $V_{DDD} = 5.5\text{ V}$ , process worst (FF)
SID50G2	$I_{DD1\_VDDD\_F250}$	$V_{DDD}$ current in external PMIC/transistor mode, Active mode (CM7 CPUs at 250 MHz, CM0+ at 80 MHz, all peripherals are enabled)	-	7	9.3	mA	PLL enabled at 250 MHz with ECO reference. All peripherals are enabled. No IO toggling. CM7 CPUs and CM0+ executing Dhrystone from flash with cache enabled. M-DMA transferring data from code + work flash, P-DMA chains with maximum trigger activity. Typ: $T_A = 25\text{ °C}$ , $V_{DDD} = 5.0\text{ V}$ , process typ (TT) Max: $T_A = 125\text{ °C}$ , $V_{DDD} = 5.5\text{ V}$ , process worst (FF)
SID53A4	$I_{DD2\_8\_VDDD\_4M}$	$V_{DDD}$ current in internal regulator mode. CM7_1=OFF, Other CPUs in Sleep	-	7	140	mA	IMO clocked at 8 MHz. All peripherals, PLL, FLL, peripheral clocks, interrupts, CSV, DMA are disabled. No IO toggling. Typ: $T_A = 25\text{ °C}$ , $V_{DDD} = 5.0\text{ V}$ , process typ (TT) Max: $T_A = 105\text{ °C}$ , $V_{DDD} = 5.5\text{ V}$ , process worst (FF)



Electrical specifications

**Table 26-3 DC specifications, CPU current, and transition time specifications** (continued)

All specifications are valid for  $-40\text{ °C} \leq T_A \leq 125\text{ °C}$  and for 2.7 V to 5.5 V except where noted.

Spec ID	Parameter	Description	Min	Typ	Max	Units	Details/conditions
SID58A	I <sub>DD_CWU2</sub>	Average current for cyclic wake-up operation. This is the average current for the specified LPACTIVE mode and DeepSleep mode (RTC, WDT, and Event Generator operating).	-	60	198	μA	<p>T<sub>A</sub> = 25 °C, 64-KB SRAM retention, Event generator operates with ILO0 in DeepSleep and LP Active, Smart I/O operates with ILO0, CM0+, CM7_0: Retain, CM7_1: OFF.</p> <p>Typ: V<sub>DD</sub> = 5.0 V, process typ (TT)                      Max: V<sub>DD</sub> = 5.5 V, process worst (FF)</p> <p>This average current is achieved under the following conditions.</p> <ol style="list-style-type: none"> <li>1. MCU repetitively goes from DeepSleep to LP Active with a period of 32 ms.</li> <li>2. One of the I/Os is toggled using Smart I/O to activate an external sensor connected to an analog input of A/D in DeepSleep</li> <li>3. After 200 μs delay, the CM7_0 wakes up by Event generator trigger to LP Active mode with IMO and A/D conversion is triggered by software.</li> <li>4. Group A/D conversion is performed on 5 channels with the sampling time of 1 μs each.</li> <li>5. Once the group A/D conversion is finished, and the results fit in the window of the range comparator, the I/O is toggled back by software to de-activate the sensor and the CM7_0 goes back to DeepSleep.</li> </ol>
<b>DeepSleep mode</b>							
SID64A4	I <sub>DD_DS64A4</sub>	64-KB SRAM retention, ILO0 operation	-	50	138	μA	<p>DeepSleep Mode (RTC, WDT and event generator operating, all other peripherals are off except for retention registers)                      CM0+, CM7_0: Retained                      T<sub>A</sub> = 25 °C                      Typ: V<sub>DD</sub> = 5.0 V, process typ (TT)                      Max: V<sub>DD</sub> = 5.5 V, process worst (FF)</p>
SID64C	I <sub>DD_DS64C</sub>	64 KB SRAM retention, ILO0 operation	-	1.4	5.5	mA	<p>DeepSleep Mode steady state at T<sub>A</sub> = 125 °C (RTC, WDT, and event generator operating, all other peripherals are off except for retention registers),                      CM0+, CM7_0: Retained                      Typ: V<sub>DD</sub> = 5.0 V                      process worst (TT)                      Max: V<sub>DD</sub> = 5.5 V                      process worst (FF)</p>
<b>Hibernate mode</b>							
SID66	I <sub>DD_HIB1</sub>	Hibernate Mode	-	8	-	μA	<p>ILO0/WDT operating. All other peripherals, and all CPUs are off.                      T<sub>A</sub> = 25 °C, V<sub>DD</sub> = 5.0 V,                      Process typ (TT)</p>
SID66A	I <sub>DD_HIB2</sub>	Hibernate Mode	-	-	180	μA	<p>ILO0/WDT operating. All other peripherals, and all CPUs are off.                      T<sub>A</sub> = 125 °C, V<sub>DD</sub> = 5.5 V,                      Process worst (FF)</p>

Electrical specifications

**Table 26-3 DC specifications, CPU current, and transition time specifications** (continued)

All specifications are valid for  $-40\text{ °C} \leq T_A \leq 125\text{ °C}$  and for 2.7 V to 5.5 V except where noted.

Spec ID	Parameter	Description	Min	Typ	Max	Units	Details/conditions
<b>Power mode transition times</b>							
SID69	$t_{ACT\_DS}$	Power down time from Active to DeepSleep	-	-	2.5	$\mu\text{s}$	When the IMO is already running and all HFCLK roots are at least 8 MHz. HFCLK roots that are slower than this will require additional time to turn off.
SID67	$t_{DS\_ACT}$	DeepSleep to Active transition time (IMO clock)	-	-	10 <sup>[61]</sup>	$\mu\text{s}$	When using the 8-MHz IMO. Measured from wakeup interrupt during DeepSleep until wakeup.
SID67C	$t_{DS\_ACT1}$	DeepSleep to Active transition time (IMO clock, flash execution)	-	-	26 <sup>[61]</sup>	$\mu\text{s}$	When using the 8-MHz IMO. Measured from wakeup interrupt during DeepSleep until flash execution.
SID67A	$t_{DS\_ACT\_FLL}$	DeepSleep to Active transition time (FLL clock)	-	-	15 <sup>[61]</sup>	$\mu\text{s}$	When using the FLL to generate 96 MHz from the 8-MHz IMO. Measured from wakeup interrupt during DeepSleep until the FLL locks.
SID67D	$t_{DS\_ACT\_FLL1}$	DeepSleep to Active transition time (FLL clock, flash execution)	-	-	26 <sup>[61]</sup>	$\mu\text{s}$	When using the FLL to generate 96 MHz from the 8-MHz IMO. Measured from wakeup interrupt during DeepSleep until flash execution.
SID67B	$t_{DS\_ACT\_PLL}$	DeepSleep to Active transition time (PLL clock)	-	-	60 <sup>[61]</sup>	$\mu\text{s}$	When using the PLL to generate 96 MHz from the 8-MHz IMO. Measured from wakeup interrupt during DeepSleep until the PLL locks.
SID68	$t_{HVR\_ACT}$	Release time from HV reset (POR, BOD, OVD, OCD, WDT, Hibernate wakeup, or XRES_L) release until CM0+ begins executing ROM boot	-	-	265	$\mu\text{s}$	Without boot runtime, guaranteed by design
SID68A	$t_{LVR\_ACT}$	Release time from LV reset (Fault, Internal system reset, MCWDT, or CSV) during Active/Sleep until CM0+ begins executing ROM boot	-	-	10	$\mu\text{s}$	Without boot runtime. Guaranteed by design
SID68B	$t_{LVR\_DS}$	Release time from LV reset (Fault, or MCWDT) during DeepSleep until CM0+ begins executing ROM boot	-	-	15	$\mu\text{s}$	Without boot runtime. Guaranteed by design
SID80A	$t_{RB\_N}$	ROM boot startup time or wakeup time from hibernate in NORMAL protection state	-	-	1640	$\mu\text{s}$	Guaranteed by Design, CM0+ clocked at 100 MHz (Flash boot version 3.1.0.554 and later)
SID80B	$t_{RB\_S}$	ROM boot startup time or wakeup time from hibernate in SECURE protection state	-	-	2330	$\mu\text{s}$	Guaranteed by Design, CM0+ clocked at 100 MHz (Flash boot version 3.1.0.554 and later)
SID81A	$t_{FB}$	Flash boot startup time or wakeup time from hibernate in NORMAL/SECURE protection state	-	-	80	$\mu\text{s}$	Guaranteed by Design, TOC2_FLAGS=0x2CF, CM0+ clocked at 100 MHz (Flash boot version 3.1.0.554 and later), Listen window = 0 ms
SID81B	$t_{FB\_A}$	Flash boot with app authentication time in NORMAL/SECURE protection state	-	-	5000	$\mu\text{s}$	Guaranteed by Design, TOC2_FLAGS=0x24F, CM0+ clocked at 100 MHz (Flash boot version 3.1.0.554 and later), Listen window = 0 ms, Public key exponent $e = 0x010001$ , App size is 64 KB with the last 256 bytes being a digital signature in RSASSA-PKCS1-v1.5 Valid for RSA2K.

**Note**

61. At cold temperature  $-5\text{ °C}$  to  $-40\text{ °C}$ , the DeepSleep to Active transition time can be higher than the max time indicated by as much as 20  $\mu\text{s}$ .

Electrical specifications

**Table 26-3 DC specifications, CPU current, and transition time specifications** (continued)

All specifications are valid for  $-40\text{ }^{\circ}\text{C} \leq T_A \leq 125\text{ }^{\circ}\text{C}$  and for 2.7 V to 5.5 V except where noted.

Spec ID	Parameter	Description	Min	Typ	Max	Units	Details/conditions
SID80A_2	$t_{RB\_N\_2}$	ROM boot startup time or wakeup time from hibernate in NORMAL protection state	-	-	2640	$\mu\text{s}$	Guaranteed by Design, CM0+ clocked at 50 MHz (Flash boot version earlier than 3.1.0.554)
SID80B_2	$t_{RB\_S\_2}$	ROM boot startup time or wakeup time from hibernate in SECURE protection state	-	-	3890	$\mu\text{s}$	Guaranteed by Design, CM0+ clocked at 50 MHz (Flash boot version earlier than 3.1.0.554)
SID81A_2	$t_{FB\_2}$	Flash boot startup time or wakeup time from hibernate in NORMAL/SECURE protection state	-	-	200	$\mu\text{s}$	Guaranteed by Design, TOC2_FLAGS=0x2CF, CM0+ clocked at 50 MHz (Flash boot version earlier than 3.1.0.554), Listen window = 0 ms
SID81B_2	$t_{FB\_A\_2}$	Flash boot with app authentication time in NORMAL/SECURE protection state	-	-	10000	$\mu\text{s}$	Guaranteed by Design, TOC2_FLAGS=0x24F, CM0+ clocked at 50 MHz (Flash boot version earlier than 3.1.0.554), Listen window = 0 ms, Public key exponent e = 0x010001, App size is 64 KB with the last 256 bytes being a digital signature in RSASSA-PKCS1-v1.5 Valid for RSA2K.

**Regulator specifications**

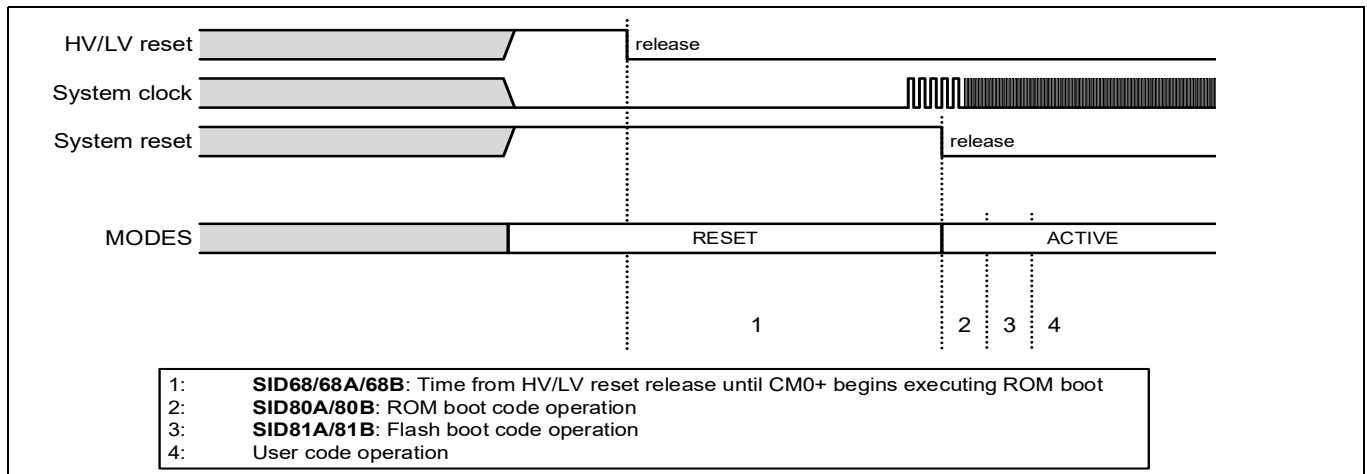
SID600	$V_{CCD}$	Core supply voltage (transient range)	1.05	1.1	1.15	V	
SID600A	$V_{CCD\_S}$	Core supply voltage (static range, no load)	1.075	1.1	1.125	V	Guaranteed by design
SID601	$I_{DDD\_ACT}$	Regulator operating current in Active/Sleep mode	-	900	1500	$\mu\text{A}$	Guaranteed by design
SID602	$I_{DDD\_DPSLP}$	Regulator operating current in DeepSleep mode	-	1.5	20	$\mu\text{A}$	Guaranteed by design
SID603	$I_{RUSH}$	In-rush current	-	-	850	mA	Average $V_{DDD}$ current until $C_{S1}$ (connected to $V_{CCD}$ pin) is charged after Active regulator is turned on
SID604	$I_{ILDOUT}$	Internal regulator output current for operation	-	-	300	mA	
SID605	$I_{HCR0UT}$	High current regulator output current for operation	-	-	600	mA	Using an external pass transistor
SID606	$V_{OL\_HCR}$	Output voltage LOW level for external PMIC enable output (EXT_PS_CTL1)	-	-	0.5	V	$I_{OL} = 1\text{ mA}$
SID606A	$V_{OH\_HCR}$	Output voltage HIGH level for external PMIC enable output (EXT_PS_CTL1)	$V_{DDD} - 0.5$	-	-	V	$I_{OH} = -1\text{ mA}$
SID607	$V_{IH\_HCR}$	Input voltage HIGH threshold for external PMIC power OK input (EXT_PS_CTL0)	$0.7 \times V_{DDD}$	-	-	V	
SID607A	$V_{IL\_HCR}$	Input voltage LOW threshold for external PMIC power OK input (EXT_PS_CTL0)	-	-	$0.3 \times V_{DDD}$	V	
SID607B	$V_{HYS\_HCR}$	Hysteresis for external PMIC power OK input (EXT_PS_CTL0)	$0.05 \times V_{DDD}$	-	-	V	
SID608	$I_{DRV\_OUT}$	DRV_VOUT pin output current to external NPN base current	-	-	9	mA	See Architecture TRM for external NPN transistor selection

## 26.4 Reset specifications

All specifications are valid for  $-40\text{ °C} \leq T_A \leq 125\text{ °C}$  and for 2.7 V to 5.5 V except where noted.

**Table 26-4 XRES\_L reset**

Spec ID	Parameter	Description	Min	Typ	Max	Units	Details/conditions
<b>XRES_L DC specifications</b>							
SID73	$I_{DD\_XRES}$	$I_{DD}$ when XRES_L asserted	–	–	2.5	mA	Max: $T_A = 125\text{ °C}$ , $V_{DD} = 5.5\text{ V}$ , $V_{CCD} = 1.15\text{ V}$ , process worst (FF)
SID74	$V_{IH}$	Input voltage HIGH threshold	$0.7 \times V_{DD}$	–	–	V	CMOS Input
SID75	$V_{IL}$	Input voltage LOW threshold	–	–	$0.3 \times V_{DD}$	V	CMOS Input
SID76	$R_{PULLUP}$	Pull-up resistor	7	–	20	k $\Omega$	
SID77	$C_{IN}$	Input capacitance	–	–	5	pF	
SID78	$V_{HYSXRES}$	Input voltage hysteresis	$0.05 \times V_{DD}$	–	–	V	
<b>XRES_L AC specifications</b>							
SID70	$t_{XRES\_ACT}$	XRES_L deasserted to Active transition time	–	–	265	$\mu\text{s}$	Without boot runtime Guaranteed by design
SID71	$t_{XRES\_PW}$	XRES_L pulse width	5	–	–	$\mu\text{s}$	
SID72	$t_{XRES\_FT}$	Pulse suppression width	100	–	–	ns	



**Figure 26-3 Reset sequence**

Electrical specifications

**26.5 I/O**

All specifications are valid for  $-40\text{ °C} \leq T_A \leq 125\text{ °C}$  and for 2.7 V to 5.5 V except where noted.

**Table 26-5 I/O specifications**

Spec ID	Parameter	Description	Min	Typ	Max	Units	Details/conditions
<b>GPIO_STD specifications for ports P1 through P23, P26 to P32</b>							
SID650	V <sub>OL1_GPIO_STD</sub>	Output voltage LOW level	-	-	0.6	V	I <sub>OL</sub> = 6 mA drive_sel<1:0> = 0b0X, 4.5 V ≤ V <sub>DD</sub> or V <sub>DDIO_1</sub> or V <sub>DDIO_2</sub> ≤ 5.5 V
SID650C	V <sub>OL1C_GPIO_STD</sub>	Output voltage LOW level	-	-	0.4	V	I <sub>OL</sub> = 5 mA drive_sel<1:0> = 0b0X, 4.5 V ≤ V <sub>DD</sub> or V <sub>DDIO_1</sub> or V <sub>DDIO_2</sub> ≤ 5.5 V
SID651	V <sub>OL2_GPIO_STD</sub>	Output voltage LOW level	-	-	0.4	V	I <sub>OL</sub> = 2 mA drive_sel<1:0> = 0b0X, 2.7 V ≤ V <sub>DD</sub> or V <sub>DDIO_1</sub> or V <sub>DDIO_2</sub> < 4.5 V
SID652	V <sub>OL3_GPIO_STD</sub>	Output voltage LOW level	-	-	0.4	V	I <sub>OL</sub> = 1 mA drive_sel<1:0> = 0b10, 2.7 V ≤ V <sub>DD</sub> or V <sub>DDIO_1</sub> or V <sub>DDIO_2</sub> < 4.5 V
SID652C	V <sub>OL3C_GPIO_STD</sub>	Output voltage LOW level	-	-	0.4	V	I <sub>OL</sub> = 2 mA drive_sel<1:0> = 0b10, 4.5 V ≤ V <sub>DD</sub> or V <sub>DDIO_1</sub> or V <sub>DDIO_2</sub> ≤ 5.5 V
SID653	V <sub>OL4_GPIO_STD</sub>	Output voltage LOW level	-	-	0.4	V	I <sub>OL</sub> = 0.5 mA drive_sel<1:0> = 0b11, 2.7 V ≤ V <sub>DD</sub> or V <sub>DDIO_1</sub> or V <sub>DDIO_2</sub> < 4.5 V
SID653C	V <sub>OL4C_GPIO_STD</sub>	Output voltage LOW level	-	-	0.4	V	I <sub>OL</sub> = 1 mA drive_sel<1:0> = 0b11, 4.5 V ≤ V <sub>DD</sub> or V <sub>DDIO_1</sub> or V <sub>DDIO_2</sub> ≤ 5.5 V
SID654	V <sub>OH1_GPIO_STD</sub>	Output voltage HIGH level	(V <sub>DD</sub> , V <sub>DDIO_1</sub> , or V <sub>DDIO_2</sub> ) - 0.5	-	-	V	I <sub>OH</sub> = -2 mA drive_sel<1:0> = 0b0X, 2.7 V ≤ V <sub>DD</sub> or V <sub>DDIO_1</sub> or V <sub>DDIO_2</sub> < 4.5 V
SID655	V <sub>OH2_GPIO_STD</sub>	Output voltage HIGH level	(V <sub>DD</sub> , V <sub>DDIO_1</sub> , or V <sub>DDIO_2</sub> ) - 0.5	-	-	V	I <sub>OH</sub> = -5 mA drive_sel<1:0> = 0b0X, 4.5 V ≤ V <sub>DD</sub> or V <sub>DDIO_1</sub> or V <sub>DDIO_2</sub> ≤ 5.5 V
SID656	V <sub>OH3_GPIO_STD</sub>	Output voltage HIGH level	(V <sub>DD</sub> , V <sub>DDIO_1</sub> , or V <sub>DDIO_2</sub> ) - 0.5	-	-	V	I <sub>OH</sub> = -1 mA drive_sel<1:0> = 0b10, 2.7 V ≤ (V <sub>DD</sub> , V <sub>DDIO_1</sub> , or V <sub>DDIO_2</sub> ) < 4.5 V
SID656C	V <sub>OH3C_GPIO_STD</sub>	Output voltage HIGH level	(V <sub>DD</sub> , V <sub>DDIO_1</sub> , or V <sub>DDIO_2</sub> ) - 0.5	-	-	V	I <sub>OH</sub> = -2 mA drive_sel<1:0> = 0b10, 4.5 V ≤ (V <sub>DD</sub> , V <sub>DDIO_1</sub> , or V <sub>DDIO_2</sub> ) ≤ 5.5 V
SID657	V <sub>OH4_GPIO_STD</sub>	Output voltage HIGH level	(V <sub>DD</sub> , V <sub>DDIO_1</sub> , or V <sub>DDIO_2</sub> ) - 0.5	-	-	V	I <sub>OH</sub> = -0.5 mA drive_sel<1:0> = 0b11, 2.7 V ≤ (V <sub>DD</sub> , V <sub>DDIO_1</sub> , or V <sub>DDIO_2</sub> ) < 4.5 V
SID657C	V <sub>OH4C_GPIO_STD</sub>	Output voltage HIGH level	(V <sub>DD</sub> , V <sub>DDIO_1</sub> , or V <sub>DDIO_2</sub> ) - 0.5	-	-	V	I <sub>OH</sub> = -1 mA drive_sel<1:0> = 0b11, 4.5 V ≤ (V <sub>DD</sub> , V <sub>DDIO_1</sub> , or V <sub>DDIO_2</sub> ) ≤ 5.5 V
SID658	R <sub>PD_GPIO_STD</sub>	Pull-down resistance	25	50	100	kΩ	
SID659	R <sub>PU_GPIO_STD</sub>	Pull-up resistance	25	50	100	kΩ	
SID660	V <sub>IH_CMOS_GPIO_STD</sub>	Input voltage HIGH threshold in CMOS mode	0.7 × (V <sub>DD</sub> , V <sub>DDIO_1</sub> , or V <sub>DDIO_2</sub> )	-	-	V	
SID661	V <sub>IH_TTL_GPIO_STD</sub>	Input voltage HIGH threshold in TTL mode	2.0	-	-	V	
SID662	V <sub>IH_AUTO_GPIO_STD</sub>	Input voltage HIGH threshold in AUTO mode	0.8 × (V <sub>DD</sub> , V <sub>DDIO_1</sub> , or V <sub>DDIO_2</sub> )	-	-	V	

Electrical specifications

**Table 26-5 I/O specifications (continued)**

Spec ID	Parameter	Description	Min	Typ	Max	Units	Details/conditions
SID663	V <sub>IL_CMOS_GPIO_STD</sub>	Input voltage LOW threshold in CMOS mode	-	-	0.3 × (V <sub>DDD</sub> , V <sub>DDIO_1</sub> , or V <sub>DDIO_2</sub> )	V	
SID664	V <sub>IL_TTL_GPIO_STD</sub>	Input voltage LOW threshold in TTL mode	-	-	0.8	V	
SID665	V <sub>IL_AUTO_GPIO_STD</sub>	Input voltage LOW threshold in AUTO mode	-	-	0.5 × (V <sub>DDD</sub> , V <sub>DDIO_1</sub> , or V <sub>DDIO_2</sub> )	V	
SID666	V <sub>HYST_CMOS_GPIO_STD</sub>	Hysteresis in CMOS mode	0.05 × (V <sub>DDD</sub> , V <sub>DDIO_1</sub> , or V <sub>DDIO_2</sub> )	-	-	V	
SID668	V <sub>HYST_AUTO_GPIO_STD</sub>	Hysteresis in AUTO mode	0.05 × (V <sub>DDD</sub> , V <sub>DDIO_1</sub> , or V <sub>DDIO_2</sub> )	-	-	V	
SID669	C <sub>in_GPIO_STD</sub>	Input pin capacitance	-	-	5	pF	For 10 MHz and 100 MHz
SID670	I <sub>IL_GPIO_STD</sub>	Input leakage current	-250	0.02	250	nA	For GPIO_STD except P21.0, P21.1, P21.2, P21.3, P21.4, P22.1, P22.2, P22.3, P23.3, P23.4. V <sub>DDIO_1</sub> = V <sub>DDIO_2</sub> = V <sub>DDD</sub> = V <sub>DDA</sub> = 5.5 V, V <sub>SSD</sub> < V <sub>I</sub> < V <sub>DDD</sub> , V <sub>DDIO_1</sub> , V <sub>DDIO_2</sub> -40 °C ≤ T <sub>A</sub> ≤ 125 °C Typ: T <sub>A</sub> = 25 °C, V <sub>DDIO_1</sub> = V <sub>DDIO_2</sub> = V <sub>DDD</sub> = V <sub>DDA</sub> = 5.0 V
SID670C	I <sub>IL_GPIO_STD_B</sub>	Input leakage current	-700	0.02	700	nA	Only for P21.0, P21.1, P21.2, P21.3, P21.4, P22.1, P22.2, P22.3, P23.3, P23.4. V <sub>DDIO_1</sub> = V <sub>DDIO_2</sub> = V <sub>DDD</sub> = V <sub>DDA</sub> = 5.5 V, V <sub>SSD</sub> < V <sub>I</sub> < V <sub>DDD</sub> , V <sub>DDIO_1</sub> , V <sub>DDIO_2</sub> -40 °C ≤ T <sub>A</sub> ≤ 125 °C Typ: T <sub>A</sub> = 25 °C, V <sub>DDIO_1</sub> = V <sub>DDIO_2</sub> = V <sub>DDD</sub> = V <sub>DDA</sub> = 5.0 V
SID671	t <sub>R</sub> or t <sub>F</sub> (fast) <sub>_20_0_G-PIO_STD</sub>	Rise time or fall time (10% to 90% of V <sub>DDIO</sub> )	1	-	10	ns	20-pF load, drive_sel<1:0> = 0b00
SID672	t <sub>R</sub> or t <sub>F</sub> (fast) <sub>_50_0_G-PIO_STD</sub>	Rise time or fall time (10% to 90% of V <sub>DDIO</sub> )	1	-	20	ns	50-pF load, drive_sel<1:0> = 0b00
SID673	t <sub>R</sub> or t <sub>F</sub> (fast) <sub>_20_1_G-PIO_STD</sub>	Rise time or fall time (10% to 90% of V <sub>DDIO</sub> )	1	-	20	ns	20-pF load, drive_sel<1:0> = 0b01
SID674	t <sub>R</sub> or t <sub>F</sub> (fast) <sub>_10_2_G-PIO_STD</sub>	Rise time or fall time (10% to 90% of V <sub>DDIO</sub> )	1	-	20	ns	10-pF load, drive_sel<1:0> = 0b10
SID675	t <sub>R</sub> or t <sub>F</sub> (fast) <sub>_6_3_G-PIO_STD</sub>	Rise time or fall time (10% to 90% of V <sub>DDIO</sub> )	1	-	20	ns	6-pF load, drive_sel<1:0> = 0b11
SID676	t <sub>F</sub> (fast) <sub>_100_G-PIO_STD</sub>	Fall time (30% to 70% of V <sub>DDIO</sub> )	0.35	-	250	ns	10-pF to 400-pF load, R <sub>PU</sub> = 767 Ω, drive_sel<1:0> = 0b00, Freq = 100 kHz
SID677	t <sub>F</sub> (fast) <sub>_400_G-PIO_STD</sub>	Fall time (30% to 70% of V <sub>DDIO</sub> )	0.35	-	250	ns	10-pF to 400-pF load, R <sub>PU</sub> = 350 Ω, drive_sel<1:0> = 0b00, Freq = 400 kHz
SID678	f <sub>IN_GPIO_STD</sub>	Input frequency	-	-	100	MHz	
SID679	f <sub>OUT_GPIO_STD0H</sub>	Output frequency	-	-	50	MHz	20-pF load, drive_sel<1:0> = 00, 4.5 V ≤ V <sub>DDD</sub> or V <sub>DDIO_1</sub> or V <sub>DDIO_2</sub> ≤ 5.5 V
SID680	f <sub>OUT_GPIO_STD0L</sub>	Output frequency	-	-	32	MHz	20-pF load, drive_sel<1:0> = 00, 2.7 V ≤ V <sub>DDD</sub> or V <sub>DDIO_1</sub> or V <sub>DDIO_2</sub> < 4.5 V

Electrical specifications

**Table 26-5 I/O specifications (continued)**

Spec ID	Parameter	Description	Min	Typ	Max	Units	Details/conditions
SID681	f <sub>OUT_GPIO_STD1H</sub>	Output frequency	-	-	25	MHz	20-pF load, drive_sel<1:0>= 01, 4.5 V ≤ V <sub>DD</sub> or V <sub>DDIO_1</sub> or V <sub>DDIO_2</sub> ≤ 5.5 V
SID682	f <sub>OUT_GPIO_STD1L</sub>	Output frequency	-	-	15	MHz	20-pF load, drive_sel<1:0>= 01, 2.7 V ≤ V <sub>DD</sub> or V <sub>DDIO_1</sub> or V <sub>DDIO_2</sub> < 4.5 V
SID683	f <sub>OUT_GPIO_STD2H</sub>	Output frequency	-	-	25	MHz	10-pF load, drive_sel<1:0>= 10, 4.5 V ≤ V <sub>DD</sub> or V <sub>DDIO_1</sub> or V <sub>DDIO_2</sub> ≤ 5.5 V
SID684	f <sub>OUT_GPIO_STD2L</sub>	Output frequency	-	-	15	MHz	10-pF load, drive_sel<1:0>= 10, 2.7 V ≤ V <sub>DD</sub> or V <sub>DDIO_1</sub> or V <sub>DDIO_2</sub> < 4.5 V
SID685	f <sub>OUT_GPIO_STD3H</sub>	Output frequency	-	-	15	MHz	6-pF load, drive_sel<1:0>= 11, 4.5 V ≤ V <sub>DD</sub> or V <sub>DDIO_1</sub> or V <sub>DDIO_2</sub> ≤ 5.5 V
SID686	f <sub>OUT_GPIO_STD3L</sub>	Output frequency	-	-	10	MHz	6-pF load, drive_sel<1:0>= 11, 2.7 V ≤ V <sub>DD</sub> or V <sub>DDIO_1</sub> or V <sub>DDIO_2</sub> < 4.5 V
<b>GPIO_ENH specifications for P0</b>							
SID650A	V <sub>OL1_GPIO_ENH</sub>	Output voltage LOW level	-	-	0.6	V	I <sub>OL</sub> = 6 mA drive_sel<1:0> = 0b0X, 2.7 V ≤ V <sub>DD</sub> ≤ 5.5 V
SID650D	V <sub>OL1D_GPIO_ENH</sub>	Output voltage LOW level	-	-	0.4	V	I <sub>OL</sub> = 5 mA drive_sel<1:0> = 0b0X, 4.5 V ≤ V <sub>DD</sub> ≤ 5.5 V
SID651A	V <sub>OL2_GPIO_ENH</sub>	Output voltage LOW level	-	-	0.4	V	I <sub>OL</sub> = 2 mA drive_sel<1:0> = 0b0X, 2.7 V ≤ V <sub>DD</sub> < 4.5 V
SID652A	V <sub>OL3_GPIO_ENH</sub>	Output voltage LOW level	-	-	0.4	V	I <sub>OL</sub> = 1 mA drive_sel<1:0> = 0b10, 2.7 V ≤ V <sub>DD</sub> < 4.5 V
SID652D	V <sub>OL3D_GPIO_ENH</sub>	Output voltage LOW level	-	-	0.4	V	I <sub>OL</sub> = 2 mA drive_sel<1:0> = 0b10, 4.5 V ≤ V <sub>DD</sub> ≤ 5.5 V
SID653A	V <sub>OL4_GPIO_ENH</sub>	Output voltage LOW level	-	-	0.4	V	I <sub>OL</sub> = 0.5 mA drive_sel<1:0> = 0b11, 2.7 V ≤ V <sub>DD</sub> < 4.5 V
SID653D	V <sub>OL4D_GPIO_ENH</sub>	Output voltage LOW level	-	-	0.4	V	I <sub>OL</sub> = 1 mA drive_sel<1:0> = 0b11, 4.5 V ≤ V <sub>DD</sub> ≤ 5.5 V
SID654A	V <sub>OH1_GPIO_ENH</sub>	Output voltage HIGH level	V <sub>DD</sub> - 0.5	-	-	V	I <sub>OH</sub> = -2 mA drive_sel<1:0> = 0b0X, 2.7 V ≤ V <sub>DD</sub> < 4.5 V
SID655A	V <sub>OH2_GPIO_ENH</sub>	Output voltage HIGH level	V <sub>DD</sub> - 0.5	-	-	V	I <sub>OH</sub> = -5 mA drive_sel<1:0> = 0b0X, 4.5 V ≤ V <sub>DD</sub> ≤ 5.5 V
SID656A	V <sub>OH3_GPIO_ENH</sub>	Output voltage HIGH level	V <sub>DD</sub> - 0.5	-	-	V	I <sub>OH</sub> = -1 mA drive_sel<1:0> = 0b10, 2.7 V ≤ V <sub>DD</sub> < 4.5 V
SID656D	V <sub>OH3D_GPIO_ENH</sub>	Output voltage HIGH level	V <sub>DD</sub> - 0.5	-	-	V	I <sub>OH</sub> = -2 mA drive_sel<1:0> = 0b10, 4.5 V ≤ V <sub>DD</sub> ≤ 5.5 V
SID657A	V <sub>OH4_GPIO_ENH</sub>	Output voltage HIGH level	V <sub>DD</sub> - 0.5	-	-	V	I <sub>OH</sub> = -0.5 mA drive_sel<1:0> = 0b11, 2.7 V ≤ V <sub>DD</sub> < 4.5 V
SID657D	V <sub>OH4D_GPIO_ENH</sub>	Output voltage HIGH level	V <sub>DD</sub> - 0.5	-	-	V	I <sub>OH</sub> = -1 mA drive_sel<1:0> = 0b11, 4.5 V ≤ V <sub>DD</sub> ≤ 5.5 V
SID658A	R <sub>PD_GPIO_ENH</sub>	Pull-down resistance	25	50	100	kΩ	

Electrical specifications

**Table 26-5 I/O specifications (continued)**

Spec ID	Parameter	Description	Min	Typ	Max	Units	Details/conditions
SID659A	R <sub>PU_GPIO_ENH</sub>	Pull-up resistance	25	50	100	kΩ	
SID660A	V <sub>IH_CMOS_GPIO_ENH</sub>	Input voltage HIGH threshold in CMOS mode	0.7 × V <sub>DDD</sub>	–	–	V	
SID661A	V <sub>IH_TTL_GPIO_ENH</sub>	Input voltage HIGH threshold in TTL mode	2.0	–	–	V	
SID662A	V <sub>IH_AUTO_GPIO_ENH</sub>	Input voltage HIGH threshold in AUTO mode	0.8 × V <sub>DDD</sub>	–	–	V	
SID663A	V <sub>IL_CMOS_GPIO_ENH</sub>	Input voltage LOW threshold in CMOS mode	–	–	0.3 × V <sub>DDD</sub>	V	
SID664A	V <sub>IL_TTL_GPIO_ENH</sub>	Input voltage LOW threshold in TTL mode	–	–	0.8	V	
SID665A	V <sub>IL_AUTO_GPIO_ENH</sub>	Input voltage LOW threshold in AUTO mode	–	–	0.5 × V <sub>DDD</sub>	V	
SID666A	V <sub>HYST_CMOS_GPIO_ENH</sub>	Hysteresis in CMOS mode	0.05 × V <sub>DDD</sub>	–	–	V	
SID668A	V <sub>HYST_AUTO_GPIO_ENH</sub>	Hysteresis in AUTO mode	0.05 × V <sub>DDD</sub>	–	–	V	
SID669A	C <sub>in_GPIO_ENH</sub>	Input pin capacitance	–	–	5	pF	For 10 MHz and 100 MHz
SID670A	I <sub>IL_GPIO_ENH</sub>	Input leakage current	–350	0.055	350	nA	V <sub>DDD</sub> = V <sub>DDA</sub> = 5.5 V, V <sub>SSD</sub> < V <sub>I</sub> < V <sub>DDD</sub> –40 °C ≤ T <sub>A</sub> ≤ 125 °C Typ: T <sub>A</sub> = 25 °C, V <sub>DDD</sub> = V <sub>DDA</sub> = 5.0 V
SID671A	t <sub>R</sub> or t <sub>F</sub> (fast) <sub>_20_0_G-PIO_ENH</sub>	Rise time or fall time (10% to 90% of V <sub>DDIO</sub> )	1	–	10	ns	20-pF load, drive_sel<1:0> = 0b00, slow = 0
SID672A	t <sub>R</sub> or t <sub>F</sub> (fast) <sub>_50_0_G-PIO_ENH</sub>	Rise time or fall time (10% to 90% of V <sub>DDIO</sub> )	1	–	20	ns	50-pF load, drive_sel<1:0> = 0b00, slow = 0
SID673A	t <sub>R</sub> or t <sub>F</sub> (fast) <sub>_20_1_G-PIO_ENH</sub>	Rise time or fall time (10% to 90% of V <sub>DDIO</sub> )	1	–	20	ns	20-pF load, drive_sel<1:0> = 0b01, slow = 0
SID674A	t <sub>R</sub> or t <sub>F</sub> (fast) <sub>_10_2_G-PIO_ENH</sub>	Rise time or fall time (10% to 90% of V <sub>DDIO</sub> )	1	–	20	ns	10-pF load, drive_sel<1:0> = 0b10, slow = 0
SID675A	t <sub>R</sub> or t <sub>F</sub> (fast) <sub>_6_3_G-PIO_ENH</sub>	Rise time or fall time (10% to 90% of V <sub>DDIO</sub> )	1	–	20	ns	6-pF load, drive_sel<1:0> = 0b11, slow = 0
SID676A	t <sub>F</sub> <sub>_I2C(slow)_GPIO_ENH</sub>	Fall time (30% to 70% of V <sub>DDIO</sub> )	20 × (V <sub>DDD</sub> / 5.5)	–	250	ns	10-pF to 400-pF load, drive_sel<1:0> = 0b00, slow = 1, minimum R <sub>PU</sub> = 400 Ω
SID677A	t <sub>R</sub> or t <sub>F</sub> (slow) <sub>_20_G-PIO_ENH</sub>	Rise time or fall time (10% to 90% of V <sub>DDIO</sub> )	20 × (V <sub>DDD</sub> / 5.5)	–	160	ns	20-pF load, drive_sel<1:0> = 0b00, slow = 1, output frequency = 1 MHz
SID678A	t <sub>R</sub> or t <sub>F</sub> (slow) <sub>_400_G-PIO_ENH</sub>	Rise time or fall time (10% to 90% of V <sub>DDIO</sub> )	20 × (V <sub>DDD</sub> / 5.5)	–	250	ns	400-pF load, drive_sel<1:0> = 0b00, slow = 1, output frequency = 400 kHz
SID679A	f <sub>IN_GPIO_ENH</sub>	Input frequency	–	–	100	MHz	
SID680A	f <sub>OUT_GPIO_ENH0H</sub>	Output frequency	–	–	50	MHz	20-pF load, drive_sel<1:0> = 0b00, 4.5 V ≤ V <sub>DDD</sub> ≤ 5.5 V
SID681A	f <sub>OUT_GPIO_ENH0L</sub>	Output frequency	–	–	32	MHz	20-pF load, drive_sel<1:0> = 0b00, 2.7 V ≤ V <sub>DDD</sub> < 4.5 V
SID682A	f <sub>OUT_GPIO_ENH1H</sub>	Output frequency	–	–	25	MHz	20-pF load, drive_sel<1:0> = 0b01, 4.5 V ≤ V <sub>DDD</sub> ≤ 5.5 V
SID683A	f <sub>OUT_GPIO_ENH1L</sub>	Output frequency	–	–	15	MHz	20-pF load, drive_sel<1:0> = 0b01, 2.7 V ≤ V <sub>DDD</sub> < 4.5 V
SID684A	f <sub>OUT_GPIO_ENH2H</sub>	Output frequency	–	–	25	MHz	10-pF load, drive_sel<1:0> = 0b10, 4.5 V ≤ V <sub>DDD</sub> ≤ 5.5 V



Electrical specifications

**Table 26-5 I/O specifications (continued)**

Spec ID	Parameter	Description	Min	Typ	Max	Units	Details/conditions
SID685A	f <sub>OUT_GPIO_ENH2L</sub>	Output frequency	-	-	15	MHz	10-pF load, drive_sel<1:0>= 0b10, 2.7 V ≤ V <sub>DD</sub> < 4.5 V
SID686A	f <sub>OUT_GPIO_ENH3H</sub>	Output frequency	-	-	15	MHz	6-pF load, drive_sel<1:0>= 0b11, 4.5 V ≤ V <sub>DD</sub> ≤ 5.5 V
SID687A	f <sub>OUT_GPIO_ENH3L</sub>	Output frequency	-	-	10	MHz	6-pF load, drive_sel<1:0>= 0b11, 2.7 V ≤ V <sub>DD</sub> < 4.5 V
<b>HSIO specifications for ports P24, P25</b>							
SID651B	V <sub>OL_HB_HSSPI</sub>	Output LOW voltage	-	-	0.2	V	I <sub>OL</sub> = 0.1 mA, drive_sel<1:0>= 0b00
SID652B	V <sub>OL_eMMC</sub>	Output LOW voltage	-	-	0.125 × V <sub>DDIO_3</sub>	V	I <sub>OL</sub> = 0.1 mA, drive_sel<1:0>= 0b00
SID653B	V <sub>OL_SD</sub>	Output LOW voltage	-	-	0.125 × V <sub>DDIO_3</sub>	V	I <sub>OL</sub> = 2 mA, drive_sel<1:0>= 0b00
SID654B	V <sub>OL1</sub>	Output LOW voltage	-	-	0.4	V	I <sub>OL</sub> = 10 mA, drive_sel<1:0>= 0b00, V <sub>DDIO_3</sub> = 2.7 V
SID655B	V <sub>OL2</sub>	Output LOW voltage	-	-	0.4	V	I <sub>OL</sub> = 2 mA, drive_sel<1:0>= 0b01, V <sub>DDIO_3</sub> = 2.7 V
SID656B	V <sub>OL3</sub>	Output LOW voltage	-	-	0.4	V	I <sub>OL</sub> = 1 mA, drive_sel<1:0>= 0b10, V <sub>DDIO_3</sub> = 2.7 V
SID656E	V <sub>OL4</sub>	Output LOW voltage	-	-	0.4	V	I <sub>OL</sub> = 0.5 mA, drive_sel<1:0>= 0b11, V <sub>DDIO_3</sub> = 2.7 V
SID658B	V <sub>OH_HB_HSSPI</sub>	Output HIGH voltage	V <sub>DDIO_3</sub> - 0.2	-	-	V	I <sub>OH</sub> = -0.1 mA drive_sel<1:0>= 0b00
SID659B	V <sub>OH_eMMC</sub>	Output HIGH voltage	V <sub>DDIO_3</sub> - (0.25 × V <sub>DDIO_3</sub> )	-	-	V	I <sub>OH</sub> = -0.1 mA drive_sel<1:0>= 0b00
SID660B	V <sub>OH_SD</sub>	Output HIGH voltage	V <sub>DDIO_3</sub> - (0.25 × V <sub>DDIO_3</sub> )	-	-	V	I <sub>OH</sub> = -2 mA drive_sel<1:0>= 0b00
SID661B	V <sub>OH1</sub>	Output HIGH voltage	V <sub>DDIO_3</sub> - 0.5	-	-	V	I <sub>OH</sub> = -10 mA drive_sel<1:0>= 0b00, V <sub>DDIO_3</sub> = 2.7 V
SID662B	V <sub>OH2</sub>	Output HIGH voltage	V <sub>DDIO_3</sub> - 0.5	-	-	V	I <sub>OH</sub> = -2 mA drive_sel<1:0>= 0b01, V <sub>DDIO_3</sub> = 2.7 V
SID663B	V <sub>OH3</sub>	Output HIGH voltage	V <sub>DDIO_3</sub> - 0.5	-	-	V	I <sub>OH</sub> = -1 mA drive_sel<1:0>= 0b10, V <sub>DDIO_3</sub> = 2.7 V
SID663E	V <sub>OH4</sub>	Output HIGH voltage	V <sub>DDIO_3</sub> - 0.5	-	-	V	I <sub>OH</sub> = -0.5 mA drive_sel<1:0>= 0b11, V <sub>DDIO_3</sub> = 2.7 V
SID664B	R <sub>PD</sub>	Pull-down resistance	25	50	100	kΩ	
SID665B	R <sub>PU</sub>	Pull-up resistance	25	50	100	kΩ	
SID666B	V <sub>IH_CMOS</sub>	Input HIGH voltage for HYPERBUS™ and HSSPI in CMOS mode	0.7 × V <sub>DDIO_3</sub>	-	-	V	vtrip_sel<1:0>= 0b00
SID668E	V <sub>IH_TTL</sub>	Input Voltage HIGH threshold for TTL mode	2	-	-	V	vtrip_sel<1:0>= 0b01
SID669B	V <sub>IH_SD_eMMC</sub>	Input HIGH voltage for SD and eMMC in CMOS mode	0.625 × V <sub>DDIO_3</sub>	-	-	V	vtrip_sel<1:0>= 0b00
SID669E	V <sub>IH_AUTO</sub>	Input Voltage HIGH threshold in AUTO mode	0.8 × V <sub>DDIO_3</sub>	-	-	V	vtrip_sel<1:0>= 0b10
SID670B	V <sub>IL_CMOS</sub>	Input LOW voltage for HYPERBUS™ and HSSPI in CMOS mode	-	-	0.3 × V <sub>DDIO_3</sub>	V	vtrip_sel<1:0>= 0b00

Electrical specifications

**Table 26-5 I/O specifications (continued)**

Spec ID	Parameter	Description	Min	Typ	Max	Units	Details/conditions
SID672E	V <sub>IL_TTL</sub>	Input Voltage LOW threshold for TTL mode	-	-	0.8	V	vtrip_sel<1:0> = 0b01
SID673B	V <sub>IL_SD_eMMC</sub>	Input LOW voltage for SD and eMMC in CMOS mode	-	-	0.25 × V <sub>DDIO_3</sub>	V	vtrip_sel<1:0> = 0b00
SID673E	V <sub>IL_AUTO</sub>	Input Voltage LOW threshold in AUTO mode	-	-	0.5 × V <sub>DDIO_3</sub>	V	vtrip_sel<1:0> = 0b10
SID674B	V <sub>HYST_CMOS</sub>	Hysteresis in CMOS mode	0.05 × V <sub>DDIO_3</sub>	-	-	V	vtrip_sel<1:0> = 0b00
SID674F	V <sub>HYST_AUTO</sub>	Hysteresis in AUTO mode	0.05 × V <sub>DDIO_3</sub>	-	-	V	vtrip_sel<1:0> = 0b10
SID675B	C <sub>IN</sub>	Input pin capacitance	-	-	5	pF	For 10 MHz and 100 MHz
SID676B	I <sub>IL</sub>	Input leakage current	-450	1.02	450	nA	V <sub>DDIO_3</sub> = 3.6 V, V <sub>SSIO_3</sub> < V <sub>I</sub> < V <sub>DDIO_3</sub> -40 °C ≤ T <sub>A</sub> ≤ 125 °C Typ: T <sub>A</sub> = 25 °C, V <sub>DDIO_3</sub> = 3.3 V
SID679B	f <sub>IN_HB_HSSPI</sub>	Input frequency	-	-	100	MHz	
SID680B	f <sub>IN_eMMC</sub>	Input frequency	-	-	52	MHz	
SID681B	f <sub>IN_SD</sub>	Input frequency	-	-	50	MHz	
SID683B	f <sub>OUT_HB_HSSPI</sub>	Output frequency	-	-	100	MHz	
SID684B	f <sub>OUT_eMMC</sub>	Output frequency	-	-	52	MHz	
SID685B	f <sub>OUT_SD</sub>	Output frequency	-	-	50	MHz	
<b>GPIO input specifications</b>							
SID98	t <sub>FT</sub>	Analog glitch filter (pulse suppression width)	-	-	50 <sup>[62]</sup>	ns	One filter per port
SID99	t <sub>INT</sub>	Minimum pulse width for GPIO interrupt	160	-	-	ns	

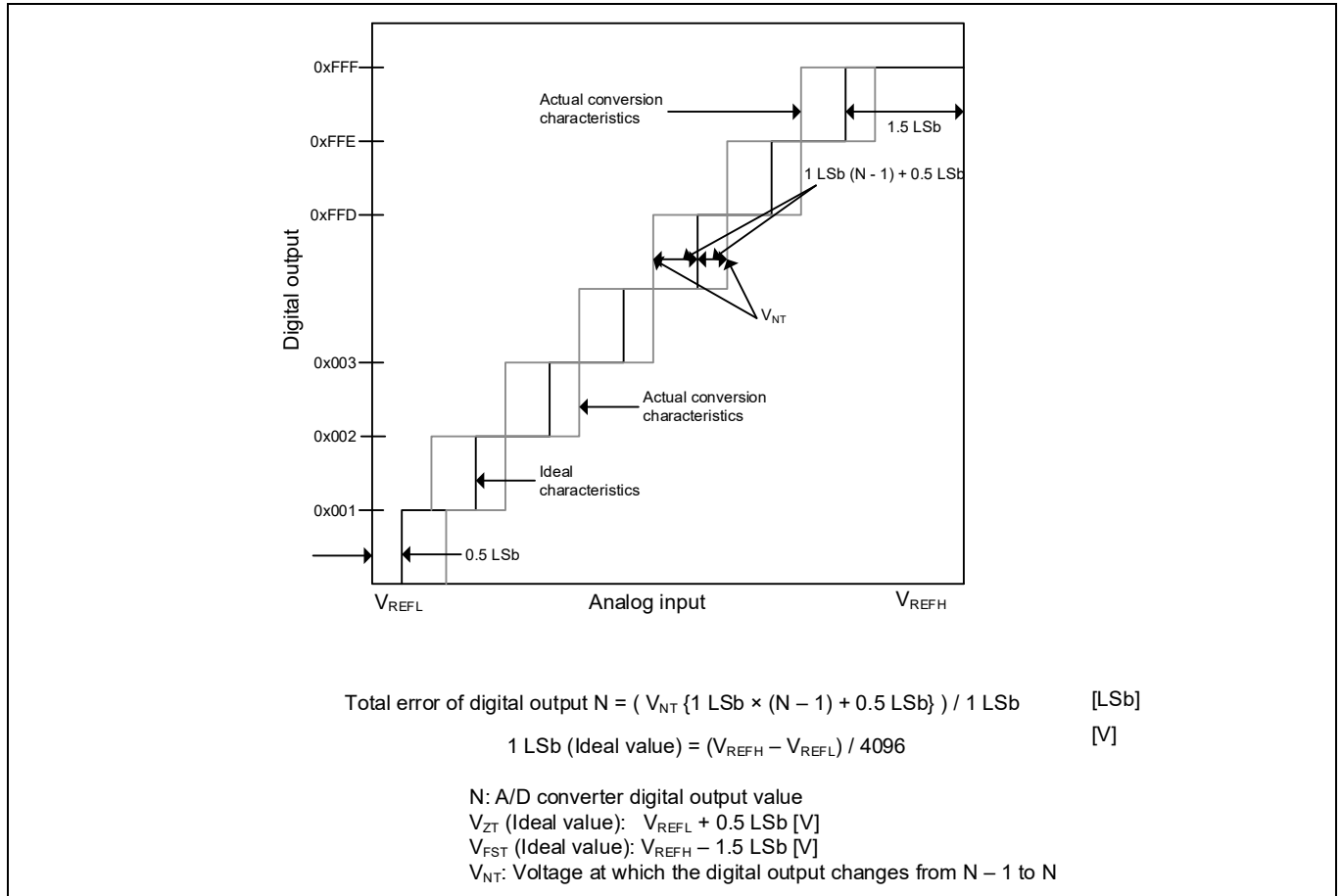
**Note**

62.If a longer pulse suppression width is necessary, use Smart I/O.

## 26.6 Analog peripherals

All specifications are valid for  $-40\text{ °C} \leq T_A \leq 125\text{ °C}$  and for 2.7 V to 5.5 V except where noted.

### 26.6.1 SAR ADC



**Figure 26-4 ADC characteristics and error descriptions**

**Table 26-6 12-Bit SAR ADC DC specifications**

Spec ID	Parameter	Description	Min	Typ	Max	Units	Details/conditions
SID100	A_RES	SAR ADC resolution	–	–	12	bits	
SID101	A_VINS	Input voltage range	V <sub>REFL</sub>	–	V <sub>REFH</sub>	V	
SID102A	A_V <sub>D<sub>DDA</sub></sub> <sup>[63]</sup>	V <sub>D<sub>DDA</sub></sub> voltage range	2.7	–	5.5	V	
SID102	A_V <sub>REFH</sub>	V <sub>REFH</sub> voltage range	2.7	–	V <sub>D<sub>DDA</sub></sub>	V	ADC performance degrades when high reference is higher than supply (V <sub>D<sub>DDA</sub></sub> )
SID103	A_V <sub>REFL</sub>	V <sub>REFL</sub> voltage range	V <sub>SSA</sub>	–	V <sub>SSA</sub>	V	ADC performance degrades when low reference is lower than ground
SID103A	V <sub>band_gap</sub>	Internal band gap reference voltage	0.882	0.9	0.918	V	
SID19A	CLAMP_COUPLING_RATIO_POS	Ratio of current collected on a pin to the positive current injected into a neighboring pin	–	–	0.1	%	
SID19B	CLAMP_COUPLING_RATIO_NEG	Ratio of current collected on a pin to the negative current injected into a neighboring pin	–	–	1.2	%	
SID19C	R <sub>CLAMP_INTERNAL</sub>	Internal pin resistance to current collection point	–	–	50	Ω	

### 26.6.2 Calculating the impact of neighboring pins

The three ADC specifications based on SID19A, SID19B, and SID19C, can be used to calculate the pin leakage and resulting ADC offset caused by injection current using the below formula:

$$I_{LEAK} = I_{INJECTED} \times CLAMP\_COUPLING\_RATIO$$

$$V_{ERROR} = I_{LEAK} \times (R_{CLAMP\_INTERNAL} + R_{SOURCE})$$

$$Code\ Error = V_{ERROR} \times 2^{12} / V_{REF}$$

Where:

I<sub>INJECTED</sub> is the injected current in mA.

I<sub>LEAK</sub> is the calculated leakage current in mA.

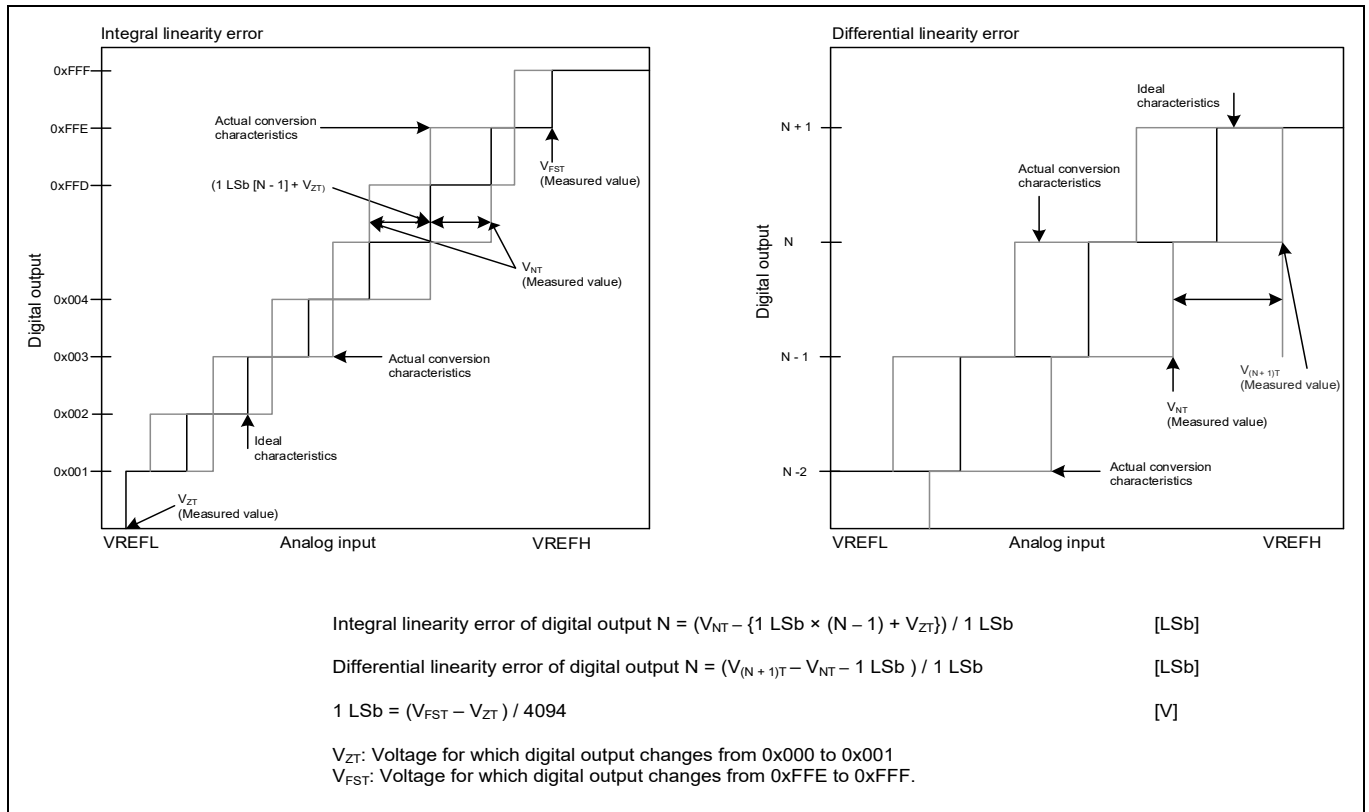
V<sub>ERROR</sub> is the voltage error calculated due to leakage currents in V.

V<sub>REF</sub> is the ADC reference voltage in V.

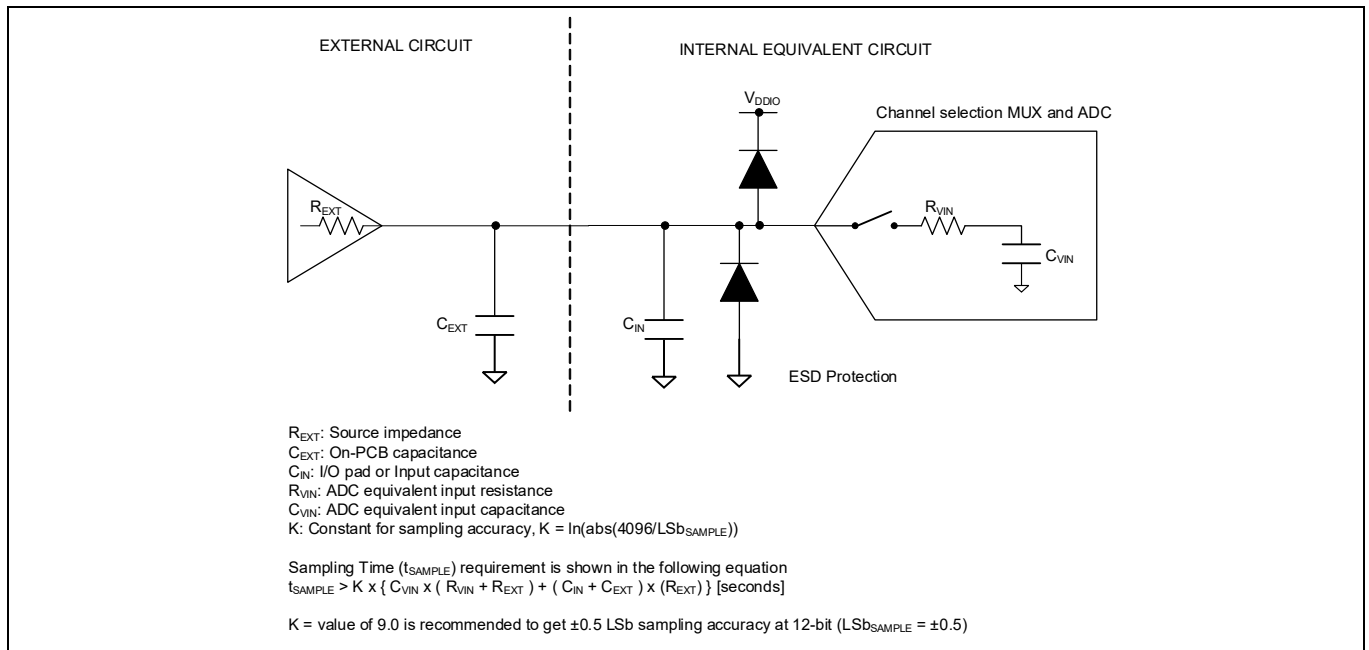
**Note**

<sup>63</sup>.V<sub>D<sub>DD</sub></sub> must be greater than 0.8 × V<sub>D<sub>DDA</sub></sub> when ADC[2] is enabled. V<sub>D<sub>DIO\_1</sub></sub> must be greater than 0.8 × V<sub>D<sub>DDA</sub></sub> when ADC[0] is enabled.

Electrical specifications



**Figure 26-5 Integral and differential linearity errors**



**Figure 26-6 ADC equivalent circuit for analog input**

Electrical specifications

**Table 26-7 SAR ADC AC specifications**

Spec ID	Parameter	Description	Min	Typ	Max	Units	Details/conditions
SID104	$V_{ZT}$	Zero transition voltage	-20	-	20	mV	$V_{DDA} = 2.7\text{ V to }5.5\text{ V}$ , $-40\text{ °C} \leq T_A \leq 125\text{ °C}$ before offset adjustment
SID105	$V_{FST}$	Full-scale transition voltage	-20	-	20	mV	$V_{DDA} = 2.7\text{ V to }5.5\text{ V}$ , $-40\text{ °C} \leq T_A \leq 125\text{ °C}$ before offset adjustment
SID114	$f_{ADC\_4P5}$	ADC operating frequency	2	-	26.67	MHz	$4.5\text{ V} \leq V_{DDA} \leq 5.5\text{ V}$
SID114A	$f_{ADC\_2P7}$	ADC operating frequency	2	-	13.34	MHz	$2.7\text{ V} \leq V_{DDA} \leq 4.5\text{ V}$
SID113	$t_{S\_4P5}$	Analog input sample time ( $4.5\text{ V} \leq V_{DDA}$ )	412	-	-	ns	$4.5\text{ V} \leq V_{DDA} \leq 5.5\text{ V}$ , guaranteed by design
SID113A	$t_{S\_2P7}$	Analog input sample time ( $2.7\text{ V} \leq V_{DDA}$ )	600	-	-	ns	$2.7\text{ V} \leq V_{DDA} \leq 4.5\text{ V}$ , guaranteed by design
SID113B	$t_{S\_DR\_4P5}$	Analog input sample time when input is from diagnostic reference ( $4.5\text{ V} \leq V_{DDA}$ )	2	-	-	$\mu\text{s}$	$4.5\text{ V} \leq V_{DDA} \leq 5.5\text{ V}$ , guaranteed by design
SID113C	$t_{S\_DR\_2P7}$	Analog input sample time when input is from diagnostic reference ( $2.7\text{ V} \leq V_{DDA}$ )	2.5	-	-	$\mu\text{s}$	$2.7\text{ V} \leq V_{DDA} \leq 4.5\text{ V}$ , guaranteed by design
SID113D	$t_{S\_TS}$	Analog input sample time for temperature sensor	7	-	-	$\mu\text{s}$	$2.7\text{ V} \leq V_{DDA} \leq 5.5\text{ V}$ Guaranteed by design
SID106	$t_{ST\_4P5}$	Max Throughput (samples per second)	-	-	1	Msp/s	$4.5\text{ V} \leq V_{DDA} \leq 5.5\text{ V}$ , 80 MHz / 3 = 26.67 MHz, 11 sampling cycles, 15 conversion cycles
SID106A	$t_{ST\_2P7}$	Max Throughput (samples per second)	-	-	0.5	Msp/s	$2.7\text{ V} \leq V_{DDA} < 4.5\text{ V}$ 80 MHz / 6 = 13.3 MHz, 11 sampling cycles, 15 conversion cycles
SID107	$C_{VIN}$	ADC input sampling capacitance	-	-	4.8	pF	Guaranteed by design
SID108	$R_{VIN1}$	Input path ON resistance ( $4.5\text{ V to }5.5\text{ V}$ )	-	-	9.4	k $\Omega$	Guaranteed by design
SID108A	$R_{VIN2}$	Input path ON resistance ( $2.7\text{ V to }4.5\text{ V}$ )	-	-	13.9	k $\Omega$	Guaranteed by design
SID108B	$R_{DREF1}$	Diagnostic path ON resis- tance ( $4.5\text{ V to }5.5\text{ V}$ )	-	-	40	k $\Omega$	Guaranteed by design
SID108C	$R_{DREF2}$	Diagnostic path ON resis- tance ( $2.7\text{ V to }4.5\text{ V}$ )	-	-	50	k $\Omega$	Guaranteed by design
SID119	ACC_RLAD	Diagnostic reference resistor ladder accuracy	-4	-	4	%	
SID109	$A_{TE}$	Total error	-5	-	5	LSb	$V_{DDA} = V_{REFH} = 2.7\text{ V to }5.5\text{ V}$ , $V_{REFL} = V_{SSA}$ $-40\text{ °C} \leq T_A \leq 125\text{ °C}$ Total Error after offset and gain adjustment at 12-bit resolution mode

Electrical specifications

**Table 26-7 SAR ADC AC specifications** (continued)

Spec ID	Parameter	Description	Min	Typ	Max	Units	Details/conditions
SID109A	A_TEB	Total error	-12	-	12	LSb	$V_{DDA} = V_{REFH} = 2.7\text{ V}$ to $5.5\text{ V}$ , $V_{REFL} = V_{SSA}$ $-40\text{ °C} \leq T_A \leq 125\text{ °C}$ Total error before offset and gain adjustment at 12 bit resolution mode
SID110	A_INL	Integral nonlinearity	-2.5	-	2.5	LSb	$V_{DDA} = 2.7\text{ V}$ to $5.5\text{ V}$ , $-40\text{ °C} \leq T_A \leq 125\text{ °C}$
SID111	A_DNL	Differential nonlinearity	-0.99	-	1.9	LSb	$V_{DDA} = 2.7\text{ V}$ to $5.5\text{ V}$ , $-40\text{ °C} \leq T_A \leq 125\text{ °C}$
SID112	A_CE	Channel to channel variation (for channels connected to same ADC)	-1	-	1	LSb	$V_{DDA} = 2.7\text{ V}$ to $5.5\text{ V}$ , $-40\text{ °C} \leq T_A \leq 125\text{ °C}$
SID115	$I_{AIC}$	Analog input leakage current	-350	70	350	nA	When input pad is selected for conversion
SID116	$I_{DIAGREF}$	Diagnostic reference current	-	-	70	$\mu\text{A}$	
SID117	$I_{VDDA}$	Analog power supply current while ADC is operating	-	360	550	$\mu\text{A}$	Per enabled ADC
SID117A	$I_{VDDA\_DS}$	Analog power supply current while ADC is not operating	-	1	21	$\mu\text{A}$	Per enabled ADC
SID118	$I_{VREF}$	Analog reference voltage current while ADC is operating	-	360	550	$\mu\text{A}$	Per enabled ADC
SID118A	$I_{VREF\_LEAK}$	Analog reference voltage current while ADC is not operating	-	1.8	5	$\mu\text{A}$	Per enabled ADC

**Table 26-8 Temperature sensor specifications**

Spec ID	Parameter	Description	Min	Typ	Max	Units	Details/conditions
SID201	$T_{SENSACC2}$	Temperature sensor accuracy 2	-5	-	5	$^{\circ}\text{C}$	$-40\text{ °C} \leq T_J \leq 150\text{ °C}$ This spec is valid when using ADC[0] ( $V_{DDIO\_1}$ ), ADC[1] ( $V_{DDIO\_2}$ ) or ADC[2] ( $V_{DDD}$ ) with the following conditions: a. $3.0\text{ V} \leq V_{DDD}, V_{DDIO\_1}$ or $V_{DDIO\_2} = V_{DDA} = V_{REFH} \leq 3.6\text{ V}$ or b. $4.5\text{ V} \leq V_{DDD}, V_{DDIO\_1}$ or $V_{DDIO\_2} = V_{DDA} = V_{REFH} \leq 5.5\text{ V}$
SID201A	$T_{SENSACC3}$	Temperature sensor accuracy 3	-10	-	10	$^{\circ}\text{C}$	$-40\text{ °C} \leq T_J \leq 150\text{ °C}$ This spec is valid when using ADC[0] ( $V_{DDIO\_1}$ ) or ADC[2] ( $V_{DDD}$ ) with the following condition: $2.7\text{ V} \leq V_{DDD}$ or $V_{DDIO\_1} \leq 5.5\text{ V}$ and $2.7\text{ V} \leq V_{DDA} = V_{REFH} \leq 5.5\text{ V}$ and $0.8 \times V_{DDA} < V_{DDD}$ or $V_{DDIO\_1}$

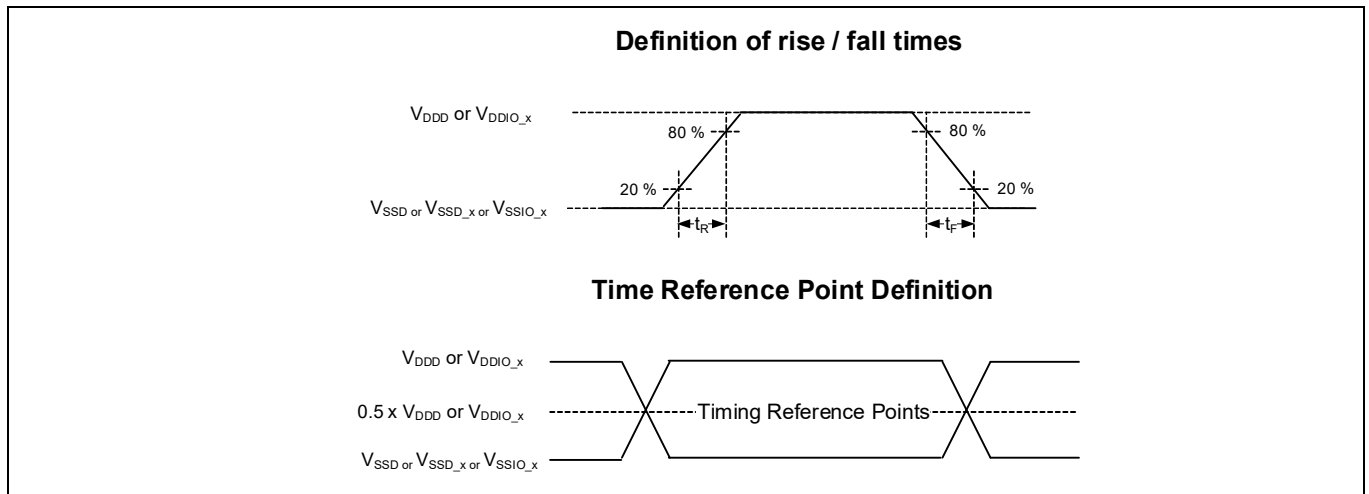
### 26.6.3 Voltage divider accuracy

**Table 26-9 Voltage divider accuracy**

Spec ID	Parameter	Description	Min	Typ	Max	Units	Details/conditions
SID202	$V_{MONDIV}$	Uncorrected monitor voltage divider accuracy (measured by ADC), compared to ideal supply/2	-20	2	20	%	Any HV supply pad within 2.7 V–5.5 V operating range

### 26.7 AC specifications

Unless otherwise noted, the timings are defined with the guidelines mentioned in the [Figure 26-7](#)



**Figure 26-7 AC timings specifications**

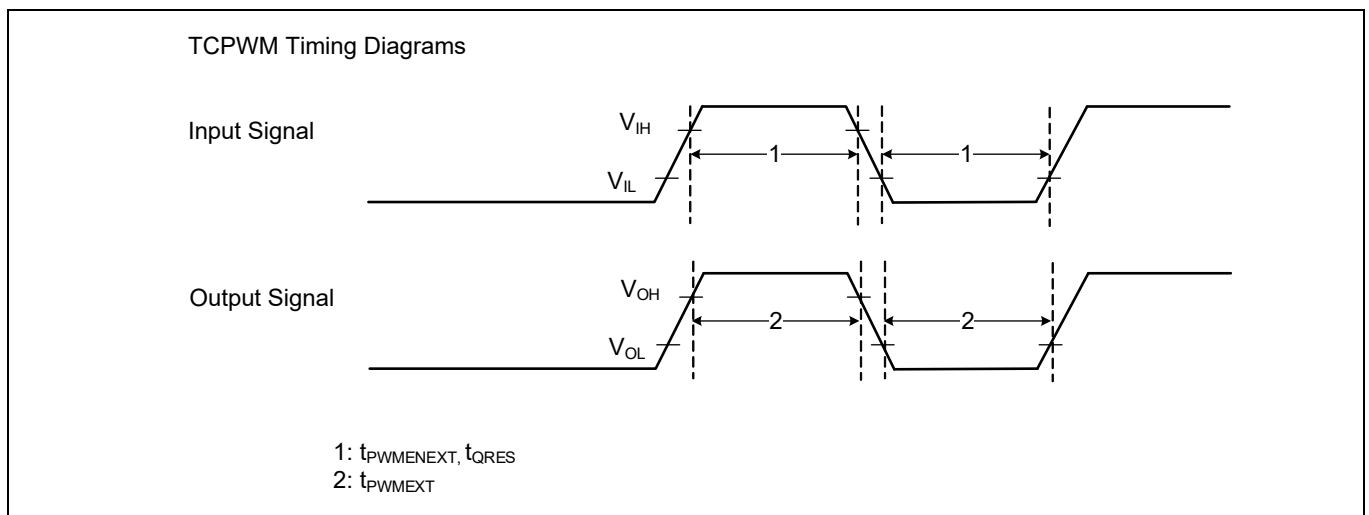


## 26.8 Digital peripherals

All specifications are valid for  $-40\text{ °C} \leq T_A \leq 125\text{ °C}$  and for 2.7 V to 5.5 V except where noted.

**Table 26-10 Timer/counter/PWM (TCPWM) specifications**

Spec ID	Parameter	Description	Min	Typ	Max	Units	Details/conditions
SID120	$f_C$	TCPWM operating frequency	–	–	100	MHz	$f_C$ = peripheral clock
SID121	$t_{PWMENEXT}$	Input trigger pulse width for all trigger events	$2 / f_C$	–	–	ns	Trigger Events can be Stop, Start, Reload, Count, Capture, or Kill depending on which mode of operation is selected.
SID122	$t_{PWMEXT}$	Output trigger pulse widths	$2 / f_C$	–	–	ns	Minimum possible width of Overflow, Underflow, and Counter = Compare (CC) value trigger outputs
SID123	$t_{CRES}$	Resolution of counter	$1 / f_C$	–	–	ns	Minimum time between successive counts
SID124	$t_{PWMRES}$	PWM resolution	$1 / f_C$	–	–	ns	Minimum pulse width of PWM output
SID125	$t_{QRES}$	Quadrature inputs resolution	$2 / f_C$	–	–	ns	Minimum pulse width between Quadrature phase inputs.



**Figure 26-8 TCPWM timing diagrams**

**Table 26-11 Serial communication block (SCB) specifications**

Spec ID	Parameter	Description	Min	Typ	Max	Units	Details/conditions
SID129	$f_{SCB}$	SCB operating frequency	–	–	100	MHz	
<b>I<sup>2</sup>C interface-standard-mode</b>							
SID130	$f_{SCL}$	SCL clock frequency	–	–	100	kHz	
SID131	$t_{HD;STA}$	Hold time, START condition	4000	–	–	ns	
SID132	$t_{LOW}$	Low period of SCL	4700	–	–	ns	
SID133	$t_{HIGH}$	High period of SCL	4000	–	–	ns	
SID134	$t_{SU;STA}$	Setup time for a repeated START	4700	–	–	ns	
SID135	$t_{HD;DAT}$	Data hold time, for receiver	0	–	–	ns	
SID136	$t_{SU;DAT}$	Data setup time	250	–	–	ns	
SID138	$t_F$	Fall time of SCL and SDA	–	–	300	ns	Input and output
SID139	$t_{SU;STO}$	Setup time for STOP	4000	–	–	ns	
SID140	$t_{BUF}$	Bus-free time between START and STOP	4700	–	–	ns	
SID141	$C_B$	Capacitive load for each bus line	–	–	400	pF	
SID142	$t_{VD;DAT}$	Time for data signal from SCL LOW to SDA output	–	–	3450	ns	
SID143	$t_{VD;ACK}$	Data valid acknowledge time	–	–	3450	ns	
SID144	$V_{OL}$	LOW level output voltage	0	–	0.4	V	Open drain at 3-mA sink current
SID145	$I_{OL}$	LOW level output current	3	–	–	mA	$V_{OL} = 0.4\text{ V}$
<b>I<sup>2</sup>C interface-fast-mode</b>							
SID150	$f_{SCL\_F}$	SCL clock frequency	–	–	400	kHz	
SID151	$t_{HD;STA\_F}$	Hold time, START condition	600	–	–	ns	
SID152	$t_{LOW\_F}$	Low period of SCL	1300	–	–	ns	
SID153	$t_{HIGH\_F}$	High period of SCL	600	–	–	ns	
SID154	$t_{SU;STA\_F}$	Setup time for a repeated START	600	–	–	ns	
SID155	$t_{HD;DAT\_F}$	Data hold time, for receiver	0	–	–	ns	
SID156	$t_{SU;DAT\_F}$	Data setup time	100	–	–	ns	
SID158	$t_{F\_F}$	Fall time of SCL and SDA	$20 \times (V_{DD} / 5.5)$	–	300	ns	Input and output, GPIO_ENH: slow mode, 400 pF load
SID158A	$t_{FA\_F}$	Fall time of SCL and SDA	0.35	–	300	ns	Input and output GPIO_STD: drive_sel<1:0>= 0b00 MIN: 10 pF load, $R_{PU} = 35.41\text{ k}\Omega$ Max: 400 pF load, $R_{PU} = 350\ \Omega$
SID159	$t_{SU;STO\_F}$	Setup time for STOP	600	–	–	ns	Input and output
SID160	$t_{BUF\_F}$	Bus free time between START and STOP	1300	–	–	ns	
SID161	$C_{B\_F}$	Capacitive load for each bus line	–	–	400	pF	

Electrical specifications

**Table 26-11 Serial communication block (SCB) specifications** (continued)

Spec ID	Parameter	Description	Min	Typ	Max	Units	Details/conditions
SID162	t <sub>VD;DAT_F</sub>	Time for data signal from SCL LOW to SDA output	-	-	900	ns	
SID163	t <sub>VD;ACK_F</sub>	Data valid acknowledge time	-	-	900	ns	
SID164	t <sub>SP_F</sub>	Pulse width of spikes that must be suppressed by the input filter	-	-	50	ns	
SID165	V <sub>OL_F</sub>	LOW level output voltage	0	-	0.4	V	Open-drain at 3 mA sink current
SID165	I <sub>OL_F</sub>	LOW level output current	3	-	-	mA	V <sub>OL</sub> = 0.4 V
SID167	I <sub>OL2_F</sub>	LOW level output current	6	-	-	mA	V <sub>OL</sub> = 0.6 V <sup>[64]</sup>

**I<sup>2</sup>C interface-fast-plus mode**

SID170	f <sub>SCL_FP</sub>	SCL clock frequency	-	-	1	MHz	
SID171	t <sub>HD;STA_FP</sub>	Hold time, START condition	260	-	-	ns	
SID172	t <sub>LOW_FP</sub>	Low period of SCL	500	-	-	ns	
SID173	t <sub>HIGH_FP</sub>	High period of SCL	260	-	-	ns	
SID174	t <sub>SU;STA_FP</sub>	Setup time for a repeated START	260	-	-	ns	
SID175	t <sub>HD;DAT_FP</sub>	Data hold time, for receiver	0	-	-	ns	
SID176	t <sub>SU;DAT_FP</sub>	Data setup time	50	-	-	ns	
SID178	t <sub>F_FP</sub>	Fall time of SCL and SDA	20 × (V <sub>DD</sub> / 5.5)	-	160	ns	Input and output 20-pF load GPIO_ENH: slow mode
SID179	t <sub>SU;STO_FP</sub>	Setup time for STOP	260	-	-	ns	Input and output
SID180	t <sub>BUF_FP</sub>	Bus free time between START and STOP	500	-	-	ns	
SID181	C <sub>B_FP</sub>	Capacitive load for each bus line	-	-	20	pF	
SID182	t <sub>VD;DAT_FP</sub>	Time for data signal from SCL LOW to SDA output	-	-	450	ns	
SID183	t <sub>VD;ACK_FP</sub>	Data valid acknowledge time	-	-	450	ns	
SID184	t <sub>SP_FP</sub>	Pulse width of spikes that must be suppressed by the input filter	-	-	50	ns	
SID186	V <sub>OL_FP</sub>	LOW level output voltage	0	-	0.4	V	Open-drain at 3 mA sink current
SID187	I <sub>OL_FP</sub>	LOW level output current	3 <sup>[65]</sup>	-	-	mA	V <sub>OL</sub> = 0.4 V <sup>[65]</sup>

**SPI interface master (Full-clock mode: LATE\_MISO\_SAMPLE = 1) [Conditions: drive\_sel<1:0>= 0x]**

SID190	f <sub>SPI</sub>	SPI operating frequency	-	-	12.5	MHz	Do not use half-clock mode: LATE_MISO_SAMPLE = 0
SID191	t <sub>DMO</sub>	SPI Master: MOSI valid after SCLK driving edge	-	-	15	ns	

**Notes**

64. In order to drive full bus load at 400 kHz, 6 mA I<sub>OL</sub> is required at 0.6 V V<sub>OL</sub>.

65. In order to drive full bus load at 1 MHz, 20 mA I<sub>OL</sub> is required at 0.4 V V<sub>OL</sub>. However, this device does not support it.

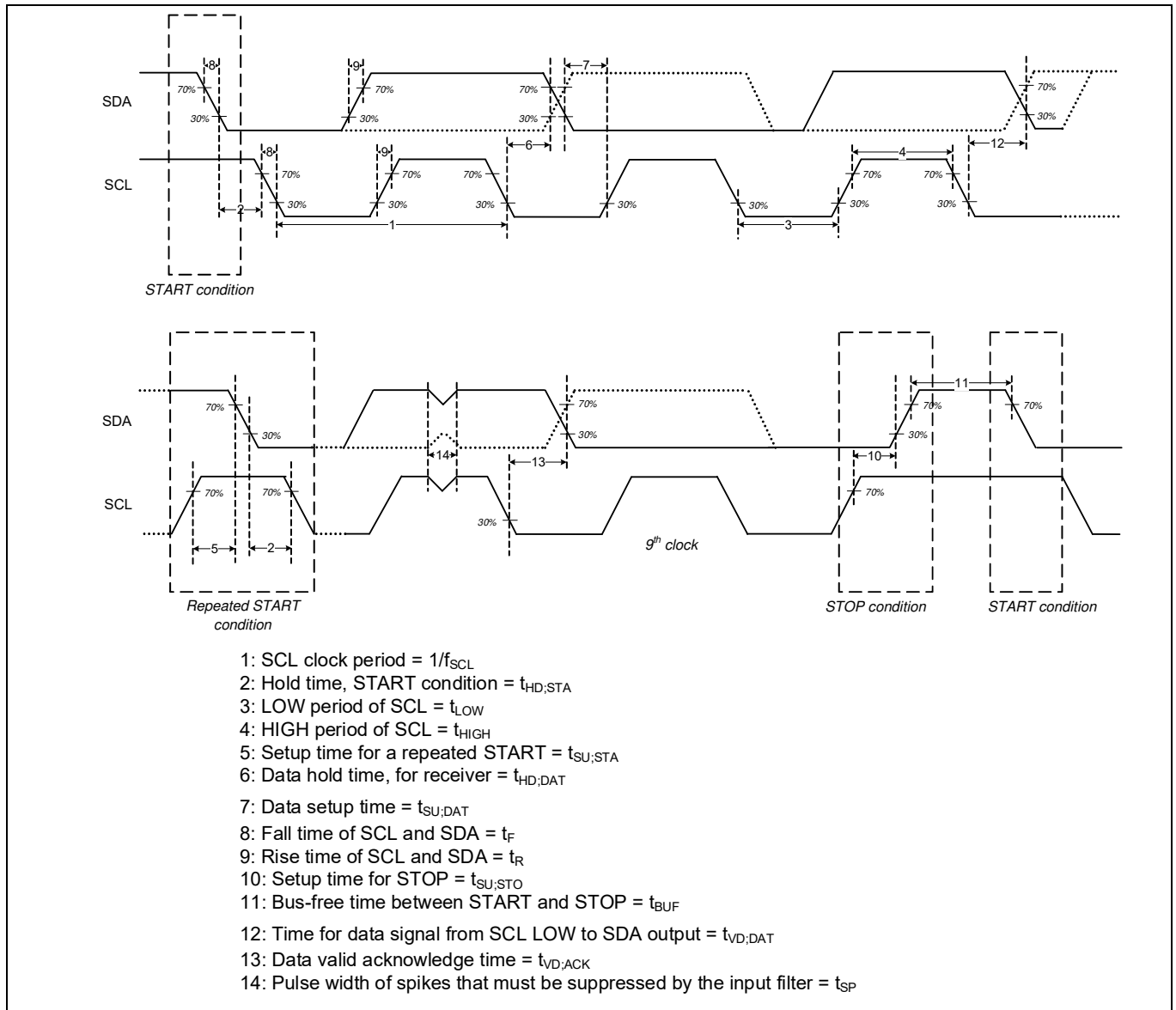
Electrical specifications

**Table 26-11 Serial communication block (SCB) specifications** (continued)

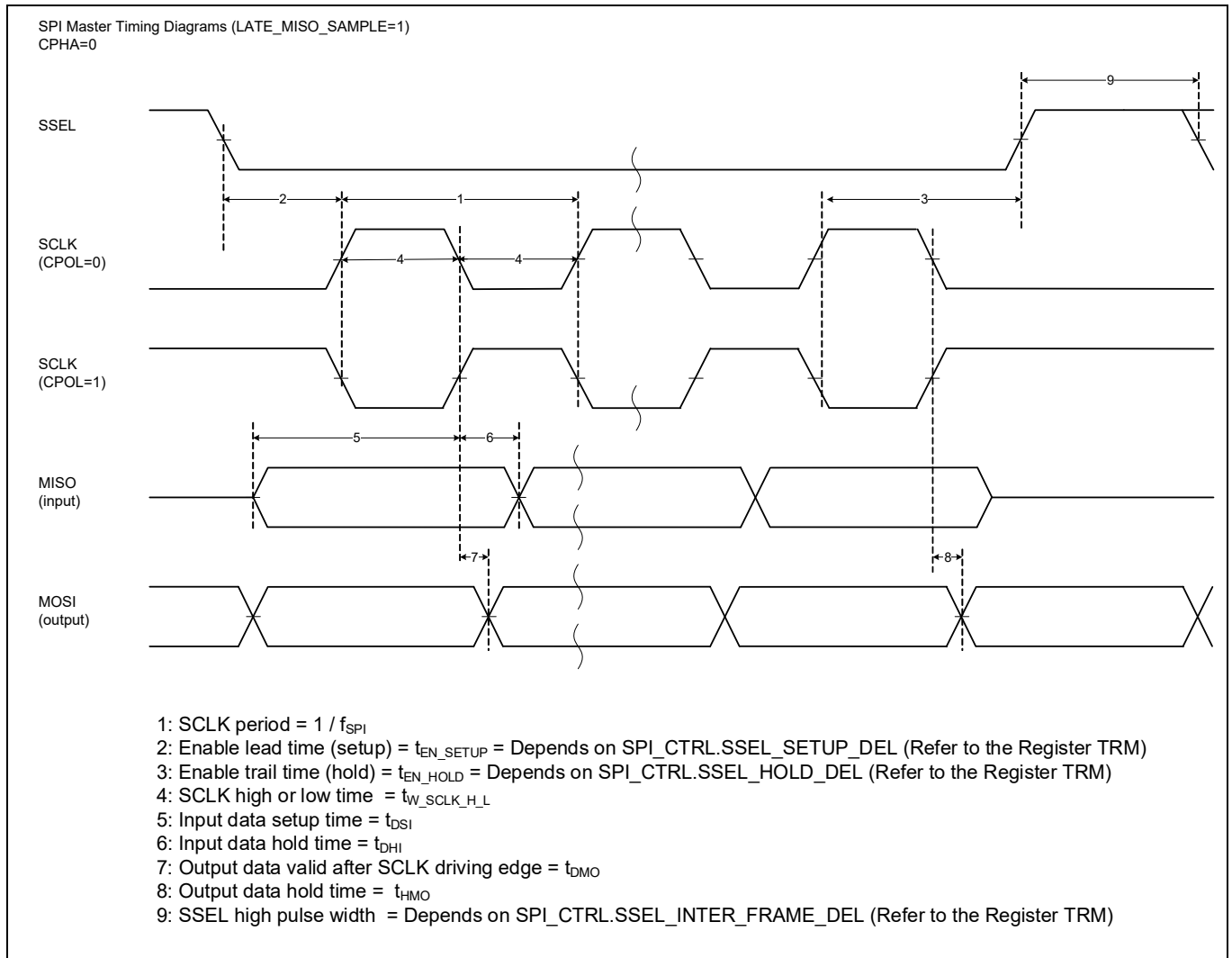
Spec ID	Parameter	Description	Min	Typ	Max	Units	Details/conditions
SID192	t <sub>DSI</sub>	SPI Master: MISO valid before SCLK capturing edge	40	–	–	ns	
SID193	t <sub>HMO</sub>	SPI Master: Previous MOSI data hold time	0	–	–	ns	
SID194	t <sub>W_SCLK_H_L</sub>	SPI SCLK pulse width HIGH or LOW	–	0.4 × (1 / f <sub>SPI</sub> )	–	ns	
SID196	t <sub>DHI</sub>	SPI Master: MISO hold time after SCLK capturing edge	0	–	–	ns	
SID198	t <sub>EN_SETUP</sub>	SSEL valid, before the first SCK capturing edge	0.5 × (1/f <sub>SPI</sub> )	–	–	ns	Min is half clock period
SID199	t <sub>EN_HOLD</sub>	SSEL hold, after the last SCK capturing edge	0.5 × (1/f <sub>SPI</sub> )	–	–	ns	Min is half clock period
SID195	C <sub>SPIM_MS</sub>	SPI capacitive load	–	–	10	pF	
<b>SPI interface slave (internally clocked) [Conditions: drive_sel&lt;1:0&gt;= 0x]</b>							
SID205	f <sub>SPI_INT</sub>	SPI operating frequency	–	–	10	MHz	
SID206	t <sub>DML_INT</sub>	SPI Slave: MOSI Valid before Sclock capturing edge	5	–	–	ns	
SID207	t <sub>DSO_INT</sub>	SPI Slave: MISO Valid after Sclock driving edge, in the internal-clocked mode	–	–	62	ns	
SID208	t <sub>HSP</sub>	SPI Slave: Previous MISO data hold time	3	–	–	ns	
SID209	t <sub>EN_SETUP_INT</sub>	SPI Slave: SSEL valid to first SCK valid edge	33	–	–	ns	
SID210	t <sub>EN_HOLD_INT</sub>	SPI Slave Select active (LOW) from last SCLK hold	33	–	–	ns	
SID211	t <sub>EN_SETUP_PRE</sub>	SPI Slave: from SSEL valid, to SCK falling edge before the first data bit	20	–	–	ns	
SID212	t <sub>EN_HOLD_PRE</sub>	SPI Slave: from SCK falling edge before the first data bit, to SSEL invalid	20	–	–	ns	
SID213	t <sub>EN_SETUP_CO</sub>	SPI Slave: from SSEL valid, to SCK falling edge in the first data bit	20	–	–	ns	
SID214	t <sub>EN_HOLD_CO</sub>	SPI Slave: from SCK falling edge in the first data bit, to SSEL invalid	20	–	–	ns	
SID215	t <sub>W_DIS_INT</sub>	SPI Slave Select inactive time	40	–	–	ns	
SID216	t <sub>W_SCLKH_INT</sub>	SPI SCLK pulse width HIGH	20	–	–	ns	
SID217	t <sub>W_SCLKL_INT</sub>	SPI SCLK pulse width LOW	20	–	–	ns	
SID218	t <sub>SIH_INT</sub>	SPI MOSI hold from SCLK	12	–	–	ns	
SID219	C <sub>SPIS_INT</sub>	SPI Capacitive Load	–	–	10	pF	
<b>SPI interface slave (externally clocked) [Conditions: drive_sel&lt;1:0&gt;= 0x]</b>							
SID220	f <sub>SPI_EXT</sub>	SPI operating frequency	–	–	12.5	MHz	

**Table 26-11 Serial communication block (SCB) specifications** (continued)

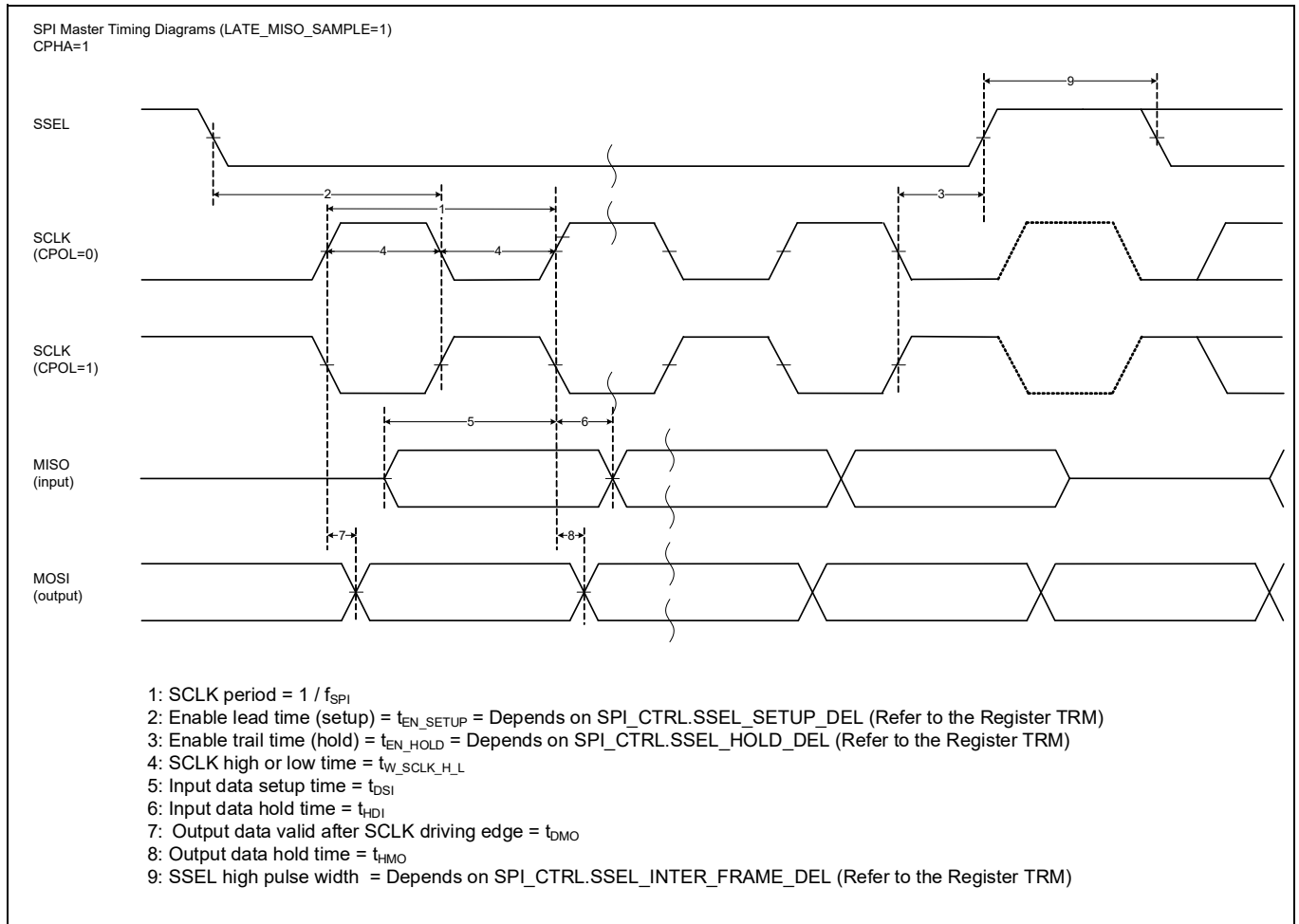
Spec ID	Parameter	Description	Min	Typ	Max	Units	Details/conditions
SID221	t <sub>DML_EXT</sub>	SPI Slave: MOSI Valid before Sclock capturing edge	5	–	–	ns	
SID222	t <sub>DSO_EXT</sub>	SPI Slave: MISO Valid after Sclock driving edge, in the external-clocked mode	–	–	32	ns	
SID223	t <sub>HSD_EXT</sub>	SPI Slave: Previous MISO data hold time	3	–	–	ns	
SID224	t <sub>EN_SET-UP_EXT</sub>	SPI Slave: SSEL valid to first SCK valid edge	40	–	–	ns	
SID225	t <sub>EN_HOLD_EXT</sub>	SPI Slave Select active (LOW) from last SCLK hold	40	–	–	ns	
SID226	t <sub>W_DIS_EXT</sub>	SPI Slave Select inactive time	80	–	–	ns	
SID227	t <sub>W_SCLKH_EXT</sub>	SPI SCLK pulse width HIGH	34	–	–	ns	
SID228	t <sub>W_SCLKL_EXT</sub>	SPI SCLK pulse width LOW	34	–	–	ns	
SID229	t <sub>SIH_EXT</sub>	SPI MOSI hold from SCLK	20	–	–	ns	
SID230	C <sub>SPIS_EXT</sub>	SPI Capacitive Load	–	–	10	pF	
SID231	t <sub>VSS_EXT</sub>	SPI Slave: MISO valid after SSEL falling edge (CPHA = 0)	–	–	33	ns	
<b>UART interface</b>							
SID240	f <sub>BPS</sub>	Data rate	–	–	10	Mbps	



**Figure 26-9 I<sup>2</sup>C timing diagrams**

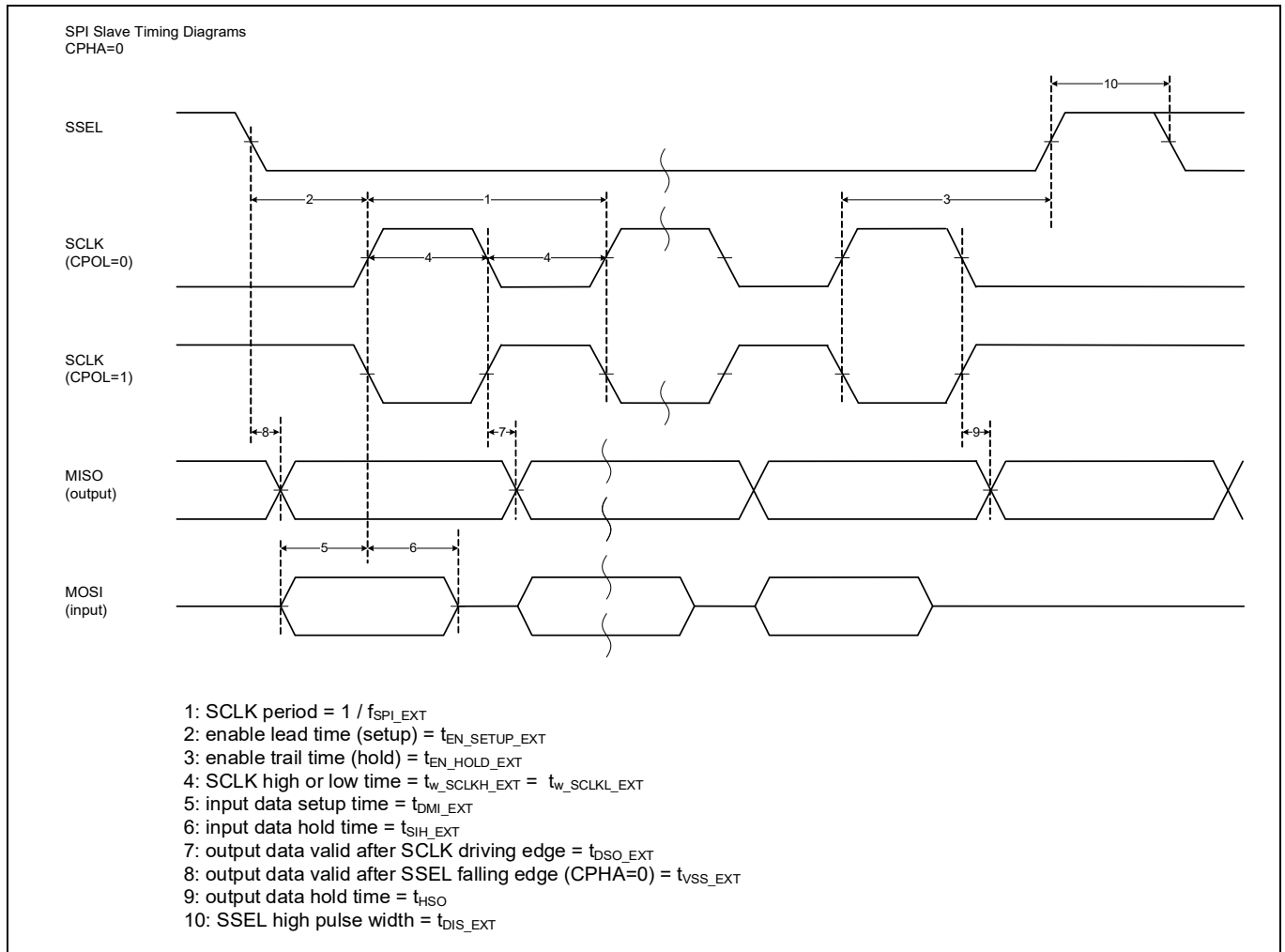


**Figure 26-10 SPI master timing diagrams with LOW clock phase**



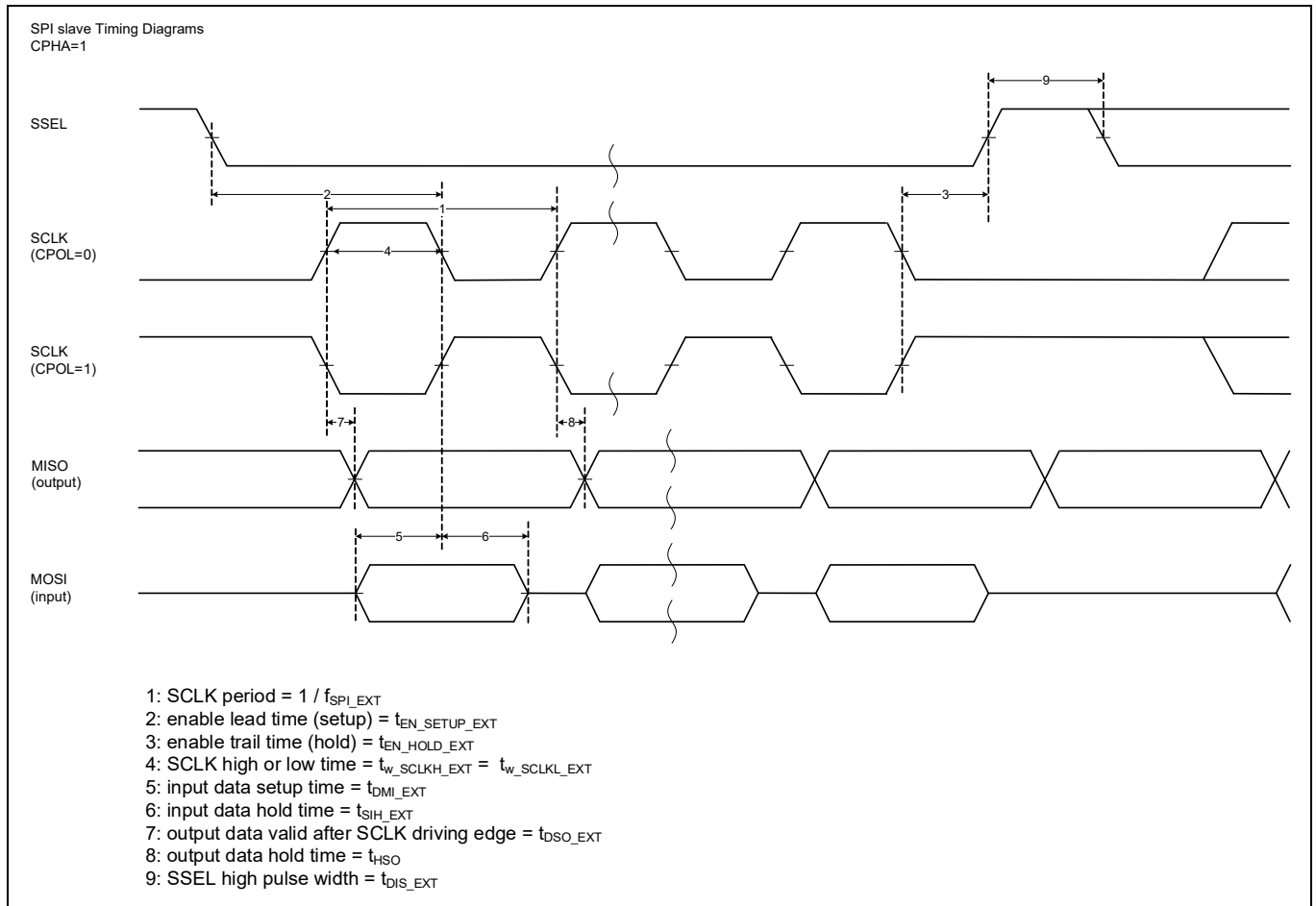
**Figure 26-11 SPI master timing diagrams with HIGH clock phase**





**Figure 26-12 SPI slave timing diagrams with LOW clock phase**

Electrical specifications



**Figure 26-13 SPI slave timing diagrams with HIGH clock phase**

**Table 26-12 CAN FD specifications**

Spec ID	Parameter	Description	Min	Typ	Max	Units	Details/conditions
SID630	$f_{HCLK}$	System clock frequency	-	-	100	MHz	$f_{CCLK} \leq f_{HCLK}$ , guaranteed by design
SID631	$f_{CCLK}$	CAN clock frequency	-	-	100	MHz	$f_{CCLK} \leq f_{HCLK}$ , guaranteed by design

**Table 26-13 LIN specifications**

Spec ID	Parameter	Description	Min	Typ	Max	Units	Details/conditions
SID249	$f_{LIN}$	Internal clock frequency to the LIN block	-	-	100	MHz	
SID250	BR_NOM	Bit rate on the LIN bus	1	-	20	kbps	Guaranteed by design
SID250A	BR_REF	Bit rate on the LIN bus (not in standard LIN specification) for re-flashing in LIN slave mode	1	-	115.2	kbps	Guaranteed by design

Electrical specifications

## 26.9 Memory

All specifications are valid for  $-40\text{ °C} \leq T_A \leq 125\text{ °C}$  and for 2.7 V to 5.5 V except where noted.

**Table 26-14 Flash DC specifications**

Spec ID	Parameter	Description	Min	Typ	Max	Units	Details/conditions
SID260	V <sub>PE</sub>	Erase and program voltage	2.7	–	5.5	V	

**Table 26-15 Flash AC specifications**

Spec ID	Parameter	Description	Min	Typ	Max	Units	Details/conditions
SID257	f <sub>FO</sub>	Maximum flash memory operation frequency	–	–	100	MHz	Zero wait access to code-flash memory up to 100 MHz Zero wait access with cache hit up to 250 MHz
SID254	t <sub>ERS_SUS</sub>	Maximum time from erase suspend command till erase is indeed suspend	–	–	37.5	µs	
SID255	t <sub>ERS_RES_SUS</sub>	Minimum time allowed from erase resume to erase suspend	250	–	–	µs	Guaranteed by design
SID258	t <sub>BC_WF</sub>	Blank check time for N-bytes of work-flash	–	–	10 + 0.3 × N	µs	At 100 MHz, N ≥ 4 and multiple of 4, excludes system overhead time
SID259	t <sub>SECTORERASE1</sub>	Sector erase time (code-flash: 32 KB)	–	45	90	ms	Includes internal preprogramming time
SID259A	t <sub>SECTORERASE2</sub>	Sector erase time (code-flash: 8 KB)	–	15	30	ms	Includes internal preprogramming time
SID261	t <sub>SECTORERASE3</sub>	Sector erase time (work-flash, 2 KB)	–	80	160	ms	Includes internal preprogramming time
SID262	t <sub>SECTORERASE4</sub>	Sector erase time (work-flash, 128 B)	–	5	15	ms	Includes internal preprogramming time
SID263	t <sub>WRITE1</sub>	64-bit write time (code-flash)	–	30	60	µs	Excludes system overhead time
SID264	t <sub>WRITE2</sub>	256-bit write time (code-flash)	–	40	70	µs	Excludes system overhead time
SID265	t <sub>WRITE3</sub>	4096-bit write time (code-flash) <sup>[66]</sup>	–	320	1200	µs	Excludes system overhead time
SID266	t <sub>WRITE4</sub>	32-bit write time (work-flash)	–	30	60	µs	Excludes system overhead time
SID267	t <sub>FRET1</sub>	Code-flash retention. 1000 program/erase cycles	20	–	–	years	T <sub>A</sub> (power on and off) ≤ 85 °C average
SID268	t <sub>FRET3</sub>	Work-flash retention. 125,000 program/erase cycles	20	–	–	years	T <sub>A</sub> (power on and off) ≤ 85 °C average
SID269	t <sub>FRET4</sub>	Work-flash retention. 250,000 program/erase cycles	10	–	–	years	T <sub>A</sub> (power on and off) ≤ 85 °C average

**Note**

66. The code-flash includes a 'Write Buffer' of 4096-bit. If the application software writes this buffer multiple times, to get the overall write time multiply one sector write time with the corresponding factor (say for factor 64, example, 64 x 512 B = 32 KB [one sector]).

**Table 26-15 Flash AC specifications** (continued)

Spec ID	Parameter	Description	Min	Typ	Max	Units	Details/conditions
SID612	I <sub>CC_ACT2</sub>	Program operating V <sub>CCD</sub> current (code or work-flash)	-	7	58	mA	Typ: T <sub>A</sub> = 25 °C, V <sub>DDD</sub> = 5.0 V, V <sub>CCD</sub> = 1.15 V, process typ (TT) Max: T <sub>A</sub> = 125 °C, V <sub>DDD</sub> = 5.5 V, V <sub>CCD</sub> = 1.2 V, process worst (FF) Guaranteed by design
SID613	I <sub>CC_ACT3</sub>	Erase operating V <sub>CCD</sub> current (code- or work-flash)	-	7	52	mA	Typ: T <sub>A</sub> = 25 °C, V <sub>DDD</sub> = 5.0 V, V <sub>CCD</sub> = 1.15 V, process typ (TT) Max: T <sub>A</sub> = 125 °C, V <sub>DDD</sub> = 5.5 V, V <sub>CCD</sub> = 1.2 V, process worst (FF) Guaranteed by design
SID612A	I <sub>CC_ACT2A</sub>	Program operating V <sub>DDP</sub> current (code or work-flash)	-	8	10	mA	Typ: T <sub>A</sub> = 25 °C, V <sub>DDD</sub> = 5.0 V, V <sub>CCD</sub> = 1.15 V, process typ (TT) Max: T <sub>A</sub> = 125 °C, V <sub>DDD</sub> = 5.5 V, V <sub>CCD</sub> = 1.2 V, process worst (FF) Guaranteed by design
SID613A	I <sub>CC_ACT3A</sub>	Erase operating V <sub>DDP</sub> current (code- or work-flash)	-	8	16	mA	Typ: T <sub>A</sub> = 25 °C, V <sub>DDD</sub> = 5.0 V, V <sub>CCD</sub> = 1.15 V, process typ (TT) Max: T <sub>A</sub> = 125 °C, V <sub>DDD</sub> = 5.5 V, V <sub>CCD</sub> = 1.2 V, process worst (FF) Guaranteed by design

## 26.10 System resources

All specifications are valid for  $-40\text{ °C} \leq T_A \leq 125\text{ °C}$  and for 2.7 V to 5.5 V except where noted.

**Table 26-16 System resources**

Spec ID	Parameter	Description	Min	Typ	Max	Units	Details/conditions
<b>Power-on reset specifications</b>							
SID270	V <sub>POR_D</sub>	V <sub>DDD</sub> rising voltage to de assert POR	1.5	–	2.35	V	Guaranteed by design
SID276	V <sub>POR_A</sub>	V <sub>DDD</sub> falling voltage to assert POR	1.45	–	2.1	V	
SID271	V <sub>POR_H</sub>	Level detection hysteresis	20	–	300	mV	
SID272	t <sub>DLY_POR</sub>	Delay between V <sub>DDD</sub> rising through 2.3 V and internal deassertion of POR	–	–	3	μs	Guaranteed by design
SID273	t <sub>POFF</sub>	V <sub>DDD</sub> Power off time	100	–	–	μs	V <sub>DDD</sub> < 1.45 V
SID274	POR_RR1	V <sub>DDD</sub> power ramp rate with robust BOD (BOD operation is guaranteed)	–	–	100	mV/μs	This ramp supports robust BOD
SID275	POR_RR2	V <sub>DDD</sub> power ramp rate without robust BOD	–	–	1000	mV/μs	This ramp does not support robust BOD t <sub>POFF</sub> must be satisfied.
<b>High-voltage BOD (HV BOD) specifications</b>							
SID500	V <sub>TR_2P7_R</sub>	HV BOD 2.7 V rising detection point for V <sub>DDD</sub> and V <sub>DDA</sub> (default)	2.474	2.55	2.627	V	
SID501	V <sub>TR_2P7_F</sub>	HV BOD 2.7 V falling detection point for V <sub>DDD</sub> and V <sub>DDA</sub> (default)	2.449	2.525	2.601	V	
SID502	V <sub>TR_3P0_R</sub>	HV BOD 3.0 V rising detection point for V <sub>DDD</sub> and V <sub>DDA</sub>	2.765	2.85	2.936	V	
SID503	V <sub>TR_3P0_F</sub>	HV BOD 3.0 V falling detection point for V <sub>DDD</sub> and V <sub>DDA</sub>	2.74	2.825	2.91	V	
SID505	HVBOD_RR_A	Power ramp rate: V <sub>DDD</sub> and V <sub>DDA</sub> (Active)	–	–	100	mV/μs	
SID506	HVBOD_RR_DS	Power ramp rate: V <sub>DDD</sub> and V <sub>DDA</sub> (DeepSleep)	–	–	10	mV/μs	
SID507	t <sub>DLY_ACT_HVBOD</sub>	Active mode delay between V <sub>DDD</sub> falling/rising through V <sub>TR_2P7_F/R</sub> or V <sub>TR_3P0_F/R</sub> and an internal HV BOD signal transitioning	–	–	0.5	μs	Guaranteed by design
SID507A	t <sub>DLY_ACT_HVBOD</sub>	Active mode delay between V <sub>DDA</sub> falling/rising through V <sub>TR_2P7_F/R</sub> or V <sub>TR_3P0_F/R</sub> and internal HV BOD signal transitioning	–	–	1	μs	Guaranteed by design
SID507B	t <sub>DLY_DS_HVBOD</sub>	DeepSleep mode delay between V <sub>DDD</sub> /V <sub>DDA</sub> falling/rising through V <sub>TR_2P7_F/R</sub> or V <sub>TR_3P0_F/R</sub> and an internal HV BOD signal transitioning	–	–	4	μs	Guaranteed by design
SID508	t <sub>RES_HVBOD</sub>	Response time of HV BOD, V <sub>DDD</sub> /V <sub>DDA</sub> supply. (For falling-then-rising supply at max ramp rate; threshold is V <sub>TR_2P7_F</sub> or V <sub>TR_3P0_F</sub> )	100	–	–	ns	Guaranteed by design
<b>Low-voltage BOD (LV BOD) specifications</b>							
SID510	V <sub>TR_R_LVBOD</sub>	LV BOD rising detection point for V <sub>CCD</sub>	0.917	0.945	0.973	V	
SID511	V <sub>TR_F_LVBOD</sub>	LV BOD falling detection point for V <sub>CCD</sub>	0.892	0.920	0.948	V	
SID515	t <sub>DLY_ACT_LVBOD</sub>	Active delay between V <sub>CCD</sub> falling/rising through V <sub>TR_R/F_LVBOD</sub> and an internal LV BOD signal transitioning	–	–	1	μs	Guaranteed by design
SID515A	t <sub>DLY_DS_LVBOD</sub>	DeepSleep mode delay between V <sub>CCD</sub> falling/rising through V <sub>TR_R/F_LVBOD</sub> and an internal LV BOD signal transitioning	–	–	12	μs	Guaranteed by design
SID516	t <sub>RES_LVBOD</sub>	Response time of LV BOD (for falling-then-rising supply at max ramp rate; threshold is V <sub>TR_F_LVBOD</sub> )	100	–	–	ns	Guaranteed by design

Electrical specifications

**Table 26-16 System resources** (continued)

Spec ID	Parameter	Description	Min	Typ	Max	Units	Details/conditions
<b>Low-voltage detector (LVD) DC specifications</b>							
SID520	V <sub>TR_2P8_F</sub>	LVD 2.8 V falling detection point for V <sub>DDD</sub>	Typ - 4%	2800	Typ + 4%	mV	
SID521	V <sub>TR_2P9_F</sub>	LVD 2.9 V falling detection point for V <sub>DDD</sub>	Typ - 4%	2900	Typ + 4%	mV	
SID522	V <sub>TR_3P0_F</sub>	LVD 3.0 V falling detection point for V <sub>DDD</sub>	Typ - 4%	3000	Typ + 4%	mV	
SID523	V <sub>TR_3P1_F</sub>	LVD 3.1 V falling detection point for V <sub>DDD</sub>	Typ - 4%	3100	Typ + 4%	mV	
SID524	V <sub>TR_3P2_F</sub>	LVD 3.2 V falling detection point for V <sub>DDD</sub>	Typ - 4%	3200	Typ + 4%	mV	
SID525	V <sub>TR_3P3_F</sub>	LVD 3.3 V falling detection point for V <sub>DDD</sub>	Typ - 4%	3300	Typ + 4%	mV	
SID526	V <sub>TR_3P4_F</sub>	LVD 3.4 V falling detection point for V <sub>DDD</sub>	Typ - 4%	3400	Typ + 4%	mV	
SID527	V <sub>TR_3P5_F</sub>	LVD 3.5 V falling detection point for V <sub>DDD</sub>	Typ - 4%	3500	Typ + 4%	mV	
SID528	V <sub>TR_3P6_F</sub>	LVD 3.6 V falling detection point for V <sub>DDD</sub>	Typ - 4%	3600	Typ + 4%	mV	
SID529	V <sub>TR_3P7_F</sub>	LVD 3.7 V falling detection point for V <sub>DDD</sub>	Typ - 4%	3700	Typ + 4%	mV	
SID530	V <sub>TR_3P8_F</sub>	LVD 3.8 V falling detection point for V <sub>DDD</sub>	Typ - 4%	3800	Typ + 4%	mV	
SID531	V <sub>TR_3P9_F</sub>	LVD 3.9 V falling detection point for V <sub>DDD</sub>	Typ - 4%	3900	Typ + 4%	mV	
SID532	V <sub>TR_4P0_F</sub>	LVD 4.0 V falling detection point for V <sub>DDD</sub>	Typ - 4%	4000	Typ + 4%	mV	
SID533	V <sub>TR_4P1_F</sub>	LVD 4.1 V falling detection point for V <sub>DDD</sub>	Typ - 4%	4100	Typ + 4%	mV	
SID534	V <sub>TR_4P2_F</sub>	LVD 4.2 V falling detection point for V <sub>DDD</sub>	Typ - 4%	4200	Typ + 4%	mV	
SID535	V <sub>TR_4P3_F</sub>	LVD 4.3 V falling detection point for V <sub>DDD</sub>	Typ - 4%	4300	Typ + 4%	mV	
SID536	V <sub>TR_4P4_F</sub>	LVD 4.4 V falling detection point for V <sub>DDD</sub>	Typ - 4%	4400	Typ + 4%	mV	
SID537	V <sub>TR_4P5_F</sub>	LVD 4.5 V falling detection point for V <sub>DDD</sub>	Typ - 4%	4500	Typ + 4%	mV	
SID538	V <sub>TR_4P6_F</sub>	LVD 4.6 V falling detection point for V <sub>DDD</sub>	Typ - 4%	4600	Typ + 4%	mV	
SID539	V <sub>TR_4P7_F</sub>	LVD 4.7 V falling detection point for V <sub>DDD</sub>	Typ - 4%	4700	Typ + 4%	mV	
SID540	V <sub>TR_4P8_F</sub>	LVD 4.8 V falling detection point for V <sub>DDD</sub>	Typ - 4%	4800	Typ + 4%	mV	
SID541	V <sub>TR_4P9_F</sub>	LVD 4.9 V falling detection point for V <sub>DDD</sub>	Typ - 4%	4900	Typ + 4%	mV	
SID542	V <sub>TR_5P0_F</sub>	LVD 5.0 V falling detection point for V <sub>DDD</sub>	Typ - 4%	5000	Typ + 4%	mV	
SID543	V <sub>TR_5P1_F</sub>	LVD 5.1 V falling detection point for V <sub>DDD</sub>	Typ - 4%	5100	Typ + 4%	mV	
SID544	V <sub>TR_5P2_F</sub>	LVD 5.2 V falling detection point for V <sub>DDD</sub>	Typ - 4%	5200	Typ + 4%	mV	
SID545	V <sub>TR_5P3_F</sub>	LVD 5.3 V falling detection point for V <sub>DDD</sub>	Typ - 4%	5300	Typ + 4%	mV	
SID546	V <sub>TR_2P8_R</sub>	LVD 2.8 V rising detection point for V <sub>DDD</sub>	Typ - 4%	2825	Typ + 4%	mV	Same as V <sub>TR_2P8_F</sub> + 25 mV
SID547	V <sub>TR_2P9_R</sub>	LVD 2.9 V rising detection point for V <sub>DDD</sub>	Typ - 4%	2925	Typ + 4%	mV	Same as V <sub>TR_2P9_F</sub> + 25 mV
SID548	V <sub>TR_3P0_R</sub>	LVD 3.0 V rising detection point for V <sub>DDD</sub>	Typ - 4%	3025	Typ + 4%	mV	Same as V <sub>TR_3P0_F</sub> + 25 mV

Electrical specifications

**Table 26-16 System resources** (continued)

Spec ID	Parameter	Description	Min	Typ	Max	Units	Details/conditions
SID549	V <sub>TR_3P1_R</sub>	LVD 3.1 V rising detection point for V <sub>DDD</sub>	Typ - 4%	3125	Typ + 4%	mV	Same as V <sub>TR_3P1_F</sub> + 25 mV
SID550	V <sub>TR_3P2_R</sub>	LVD 3.2 V rising detection point for V <sub>DDD</sub>	Typ - 4%	3225	Typ + 4%	mV	Same as V <sub>TR_3P2_F</sub> + 25 mV
SID551	V <sub>TR_3P3_R</sub>	LVD 3.3 V rising detection point for V <sub>DDD</sub>	Typ - 4%	3325	Typ + 4%	mV	Same as V <sub>TR_3P3_F</sub> + 25 mV
SID552	V <sub>TR_3P4_R</sub>	LVD 3.4 V rising detection point for V <sub>DDD</sub>	Typ - 4%	3425	Typ + 4%	mV	Same as V <sub>TR_3P4_F</sub> + 25 mV
SID553	V <sub>TR_3P5_R</sub>	LVD 3.5 V rising detection point for V <sub>DDD</sub>	Typ - 4%	3525	Typ + 4%	mV	Same as V <sub>TR_3P5_F</sub> + 25 mV
SID554	V <sub>TR_3P6_R</sub>	LVD 3.6 V rising detection point for V <sub>DDD</sub>	Typ - 4%	3625	Typ + 4%	mV	Same as V <sub>TR_3P6_F</sub> + 25 mV
SID555	V <sub>TR_3P7_R</sub>	LVD 3.7 V rising detection point for V <sub>DDD</sub>	Typ - 4%	3725	Typ + 4%	mV	Same as V <sub>TR_3P7_F</sub> + 25 mV
SID556	V <sub>TR_3P8_R</sub>	LVD 3.8 V rising detection point for V <sub>DDD</sub>	Typ - 4%	3825	Typ + 4%	mV	Same as V <sub>TR_3P8_F</sub> + 25 mV
SID557	V <sub>TR_3P9_R</sub>	LVD 3.9 V rising detection point for V <sub>DDD</sub>	Typ - 4%	3925	Typ + 4%	mV	Same as V <sub>TR_3P9_F</sub> + 25 mV
SID558	V <sub>TR_4P0_R</sub>	LVD 4.0 V rising detection point for V <sub>DDD</sub>	Typ - 4%	4025	Typ + 4%	mV	Same as V <sub>TR_4P0_F</sub> + 25 mV
SID559	V <sub>TR_4P1_R</sub>	LVD 4.1 V rising detection point for V <sub>DDD</sub>	Typ - 4%	4125	Typ + 4%	mV	Same as V <sub>TR_4P1_F</sub> + 25 mV
SID560	V <sub>TR_4P2_R</sub>	LVD 4.2 V rising detection point for V <sub>DDD</sub>	Typ - 4%	4225	Typ + 4%	mV	Same as V <sub>TR_4P2_F</sub> + 25 mV
SID561	V <sub>TR_4P3_R</sub>	LVD 4.3 V rising detection point for V <sub>DDD</sub>	Typ - 4%	4325	Typ + 4%	mV	Same as V <sub>TR_4P3_F</sub> + 25 mV
SID562	V <sub>TR_4P4_R</sub>	LVD 4.4 V rising detection point for V <sub>DDD</sub>	Typ - 4%	4425	Typ + 4%	mV	Same as V <sub>TR_4P4_F</sub> + 25 mV
SID563	V <sub>TR_4P5_R</sub>	LVD 4.5 V rising detection point for V <sub>DDD</sub>	Typ - 4%	4525	Typ + 4%	mV	Same as V <sub>TR_4P5_F</sub> + 25 mV
SID564	V <sub>TR_4P6_R</sub>	LVD 4.6 V rising detection point for V <sub>DDD</sub>	Typ - 4%	4625	Typ + 4%	mV	Same as V <sub>TR_4P6_F</sub> + 25 mV
SID565	V <sub>TR_4P7_R</sub>	LVD 4.7 V rising detection point for V <sub>DDD</sub>	Typ - 4%	4725	Typ + 4%	mV	Same as V <sub>TR_4P7_F</sub> + 25 mV
SID566	V <sub>TR_4P8_R</sub>	LVD 4.8 V rising detection point for V <sub>DDD</sub>	Typ - 4%	4825	Typ + 4%	mV	Same as V <sub>TR_4P8_F</sub> + 25 mV
SID567	V <sub>TR_4P9_R</sub>	LVD 4.9 V rising detection point for V <sub>DDD</sub>	Typ - 4%	4925	Typ + 4%	mV	Same as V <sub>TR_4P9_F</sub> + 25 mV
SID568	V <sub>TR_5P0_R</sub>	LVD 5.0 V rising detection point for V <sub>DDD</sub>	Typ - 4%	5025	Typ + 4%	mV	Same as V <sub>TR_5P0_F</sub> + 25 mV
SID569	V <sub>TR_5P1_R</sub>	LVD 5.1 V rising detection point for V <sub>DDD</sub>	Typ - 4%	5125	Typ + 4%	mV	Same as V <sub>TR_5P1_F</sub> + 25 mV
SID570	V <sub>TR_5P2_R</sub>	LVD 5.2 V rising detection point for V <sub>DDD</sub>	Typ - 4%	5225	Typ + 4%	mV	Same as V <sub>TR_5P2_F</sub> + 25 mV
SID571	V <sub>TR_5P3_R</sub>	LVD 5.3 V rising detection point for V <sub>DDD</sub>	Typ - 4%	5325	Typ + 4%	mV	Same as V <sub>TR_5P3_F</sub> + 25 mV
SID573	LVD_RR_A	Power ramp rate: V <sub>DDD</sub> (Active)	-	-	100	mV/μs	
SID574	LVD_RR_DS	Power ramp rate: V <sub>DDD</sub> (DeepSleep)	-	-	10	mV/μs	
SID575	t <sub>DLY_ACT_LVD</sub>	Active mode delay between V <sub>DDD</sub> falling/rising through LVD rising/falling point and an internal LVD signal transitioning	-	-	1	μs	Guaranteed by design
SID575A	t <sub>DLY_DS_LVD</sub>	DeepSleep mode delay between V <sub>DDD</sub> falling/rising through LVD rising/falling point and an internal LVD signal transitioning	-	-	4	μs	Guaranteed by design
SID576	t <sub>RES_LVD</sub>	Response time of LVD, V <sub>DDD</sub> supply. (For falling-then-rising supply at max ramp rate; threshold is LVD falling point)	100	-	-	ns	Guaranteed by design

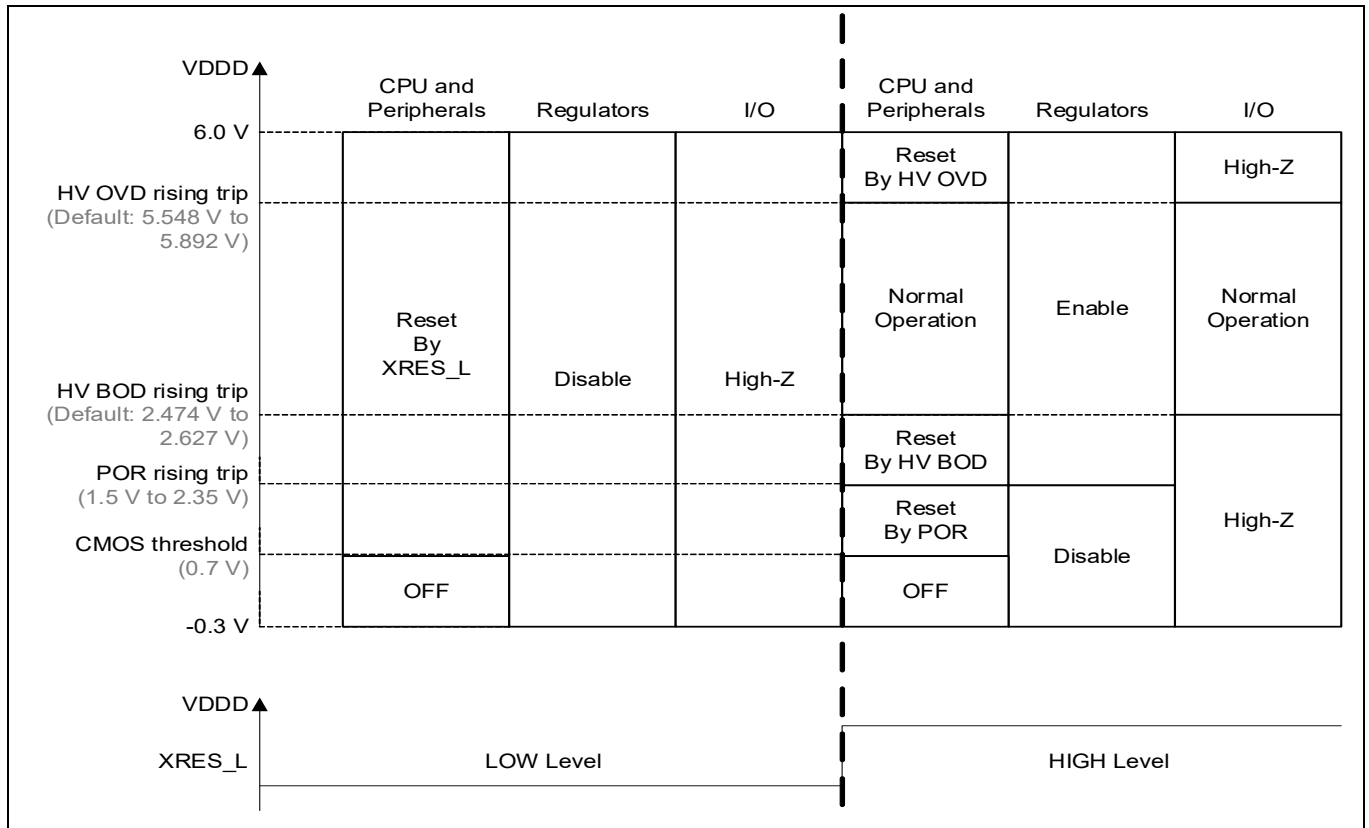
Electrical specifications

**Table 26-16 System resources** (continued)

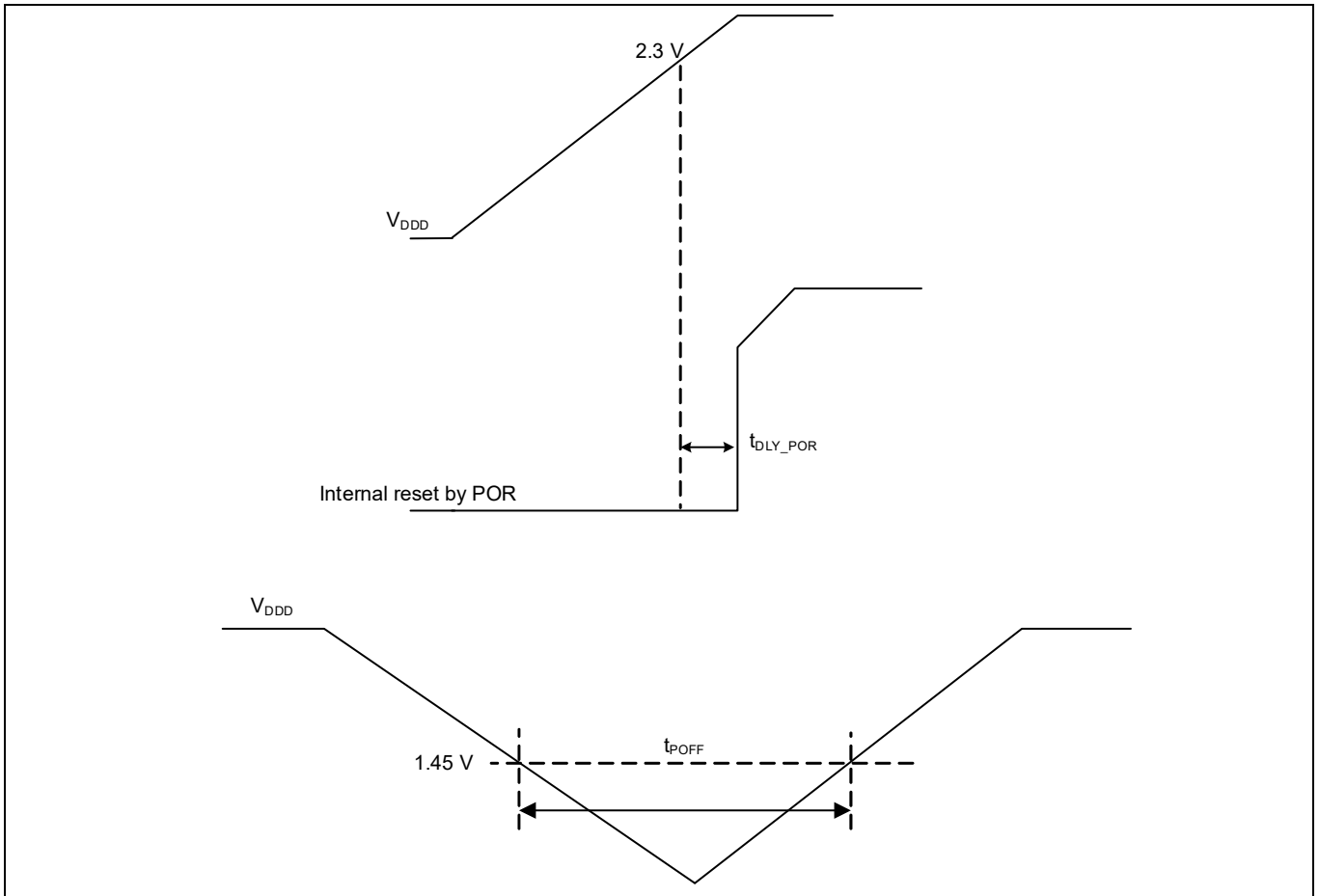
Spec ID	Parameter	Description	Min	Typ	Max	Units	Details/conditions
<b>High-voltage OVD specifications</b>							
SID580	V <sub>TR_5P0_R</sub>	HV OVD 5.0-V rising detection point for V <sub>DDD</sub> and V <sub>DDA</sub>	5.049	5.205	5.361	V	
SID581	V <sub>TR_5P0_F</sub>	HV OVD 5.0-V falling detection point for V <sub>DDD</sub> and V <sub>DDA</sub>	5.025	5.18	5.335	V	
SID582	V <sub>TR_5P5_R</sub>	HV OVD 5.5-V rising detection point for V <sub>DDD</sub> and V <sub>DDA</sub> (default)	5.548	5.72	5.892	V	
SID583	V <sub>TR_5P5_F</sub>	HV OVD 5.5-V falling detection point for V <sub>DDD</sub> and V <sub>DDA</sub> (default)	5.524	5.695	5.866	V	
SID585	HVOVD_RR_A	Power ramp rate: V <sub>DDD</sub> and V <sub>DDA</sub> (Active)	-	-	100	mV/μs	
SID586	HVOVD_RR_DS	Power ramp rate: V <sub>DDD</sub> and V <sub>DDA</sub> (DeepSleep)	-	-	10	mV/μs	
SID587	t <sub>DLY_ACT_HVOVD</sub>	Active mode delay between V <sub>DDD</sub> falling/rising through V <sub>TR_5P0_F/R</sub> or V <sub>TR_5P5_F/R</sub> and an internal HV OVD signal transitioning	-	-	1	μs	Guaranteed by design
SID587A	t <sub>DLY_ACT_HVOVD_A</sub>	Active mode delay between V <sub>DDA</sub> falling/rising through V <sub>TR_5P0_F/R</sub> or V <sub>TR_5P5_F/R</sub> and an internal HV OVD signal transitioning	-	-	1.5	μs	Guaranteed by design
SID587B	t <sub>DLY_DS_HVOVD</sub>	DeepSleep mode delay between V <sub>DDD</sub> /V <sub>DDA</sub> falling/rising through V <sub>TR_5P0_F/R</sub> or V <sub>TR_5P5_F/R</sub> and an internal HV OVD signal transitioning	-	-	4	μs	Guaranteed by design
SID588	t <sub>RES_HVOVD</sub>	Response time of HV OVD (for rising-then-falling supply at max ramp rate; threshold is V <sub>TR_5P0_R</sub> or V <sub>TR_5P5_R</sub> )	100	-	-	ns	Guaranteed by design
<b>Low-voltage OVD specifications</b>							
SID590	V <sub>TR_R_LVOVD</sub>	LV OVD rising detection point for V <sub>CCD</sub>	1.261	1.3	1.339	V	
SID591	V <sub>TR_F_LVOVD</sub>	LV OVD falling detection point for V <sub>CCD</sub>	1.237	1.275	1.313	V	
SID595	t <sub>DLY_ACT_LVOVD</sub>	Active mode delay between V <sub>CCD</sub> falling/rising through V <sub>TR_F/R_LVOVD</sub> and an internal LV OVD signal transitioning	-	-	1	μs	Guaranteed by design
SID595A	t <sub>DLY_DS_LVOVD</sub>	DeepSleep mode delay between V <sub>CCD</sub> falling/rising through V <sub>TR_F/R_LVOVD</sub> and an internal LV OVD signal transitioning	-	-	12	μs	Guaranteed by design
SID596	t <sub>RES_LVOVD</sub>	Response time of LV OVD. (For rising-then-falling supply at max ramp rate; threshold is V <sub>TR_R_LVOVD</sub> )	100	-	-	ns	Guaranteed by design
<b>Over current detection (OCD) specifications</b>							
SID598A	I <sub>OCD_LDO</sub>	Over current detection range for internal Active regulator	312	-	630	mA	Guaranteed by design
SID598B	I <sub>OCD_EXT</sub>	Over current detection range for external transistor mode	675	-	825	mA	
SID599	I <sub>OCD_DPSLP</sub>	Over current detection range for internal DeepSleep regulator	18	-	72	mA	



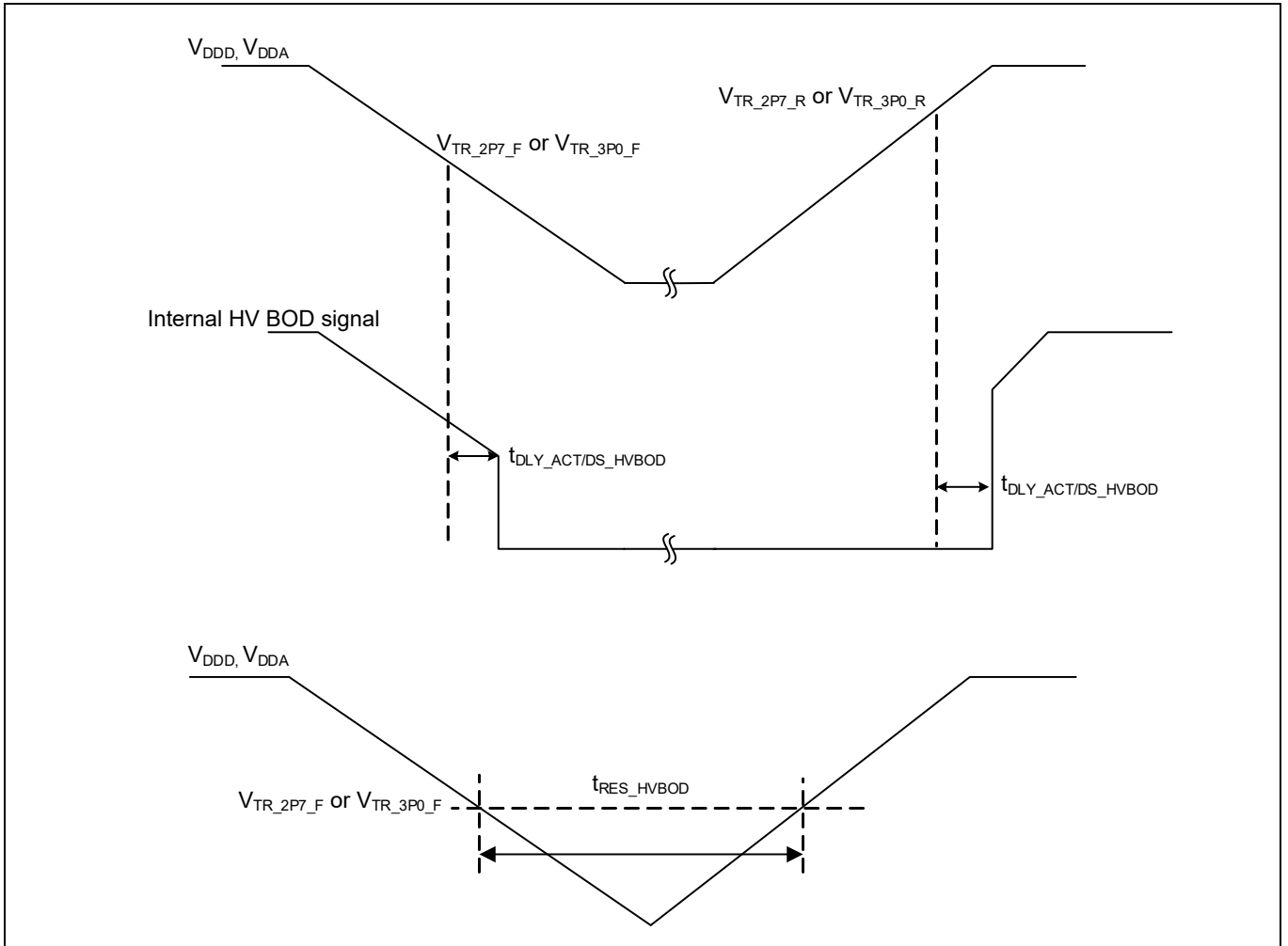
Electrical specifications



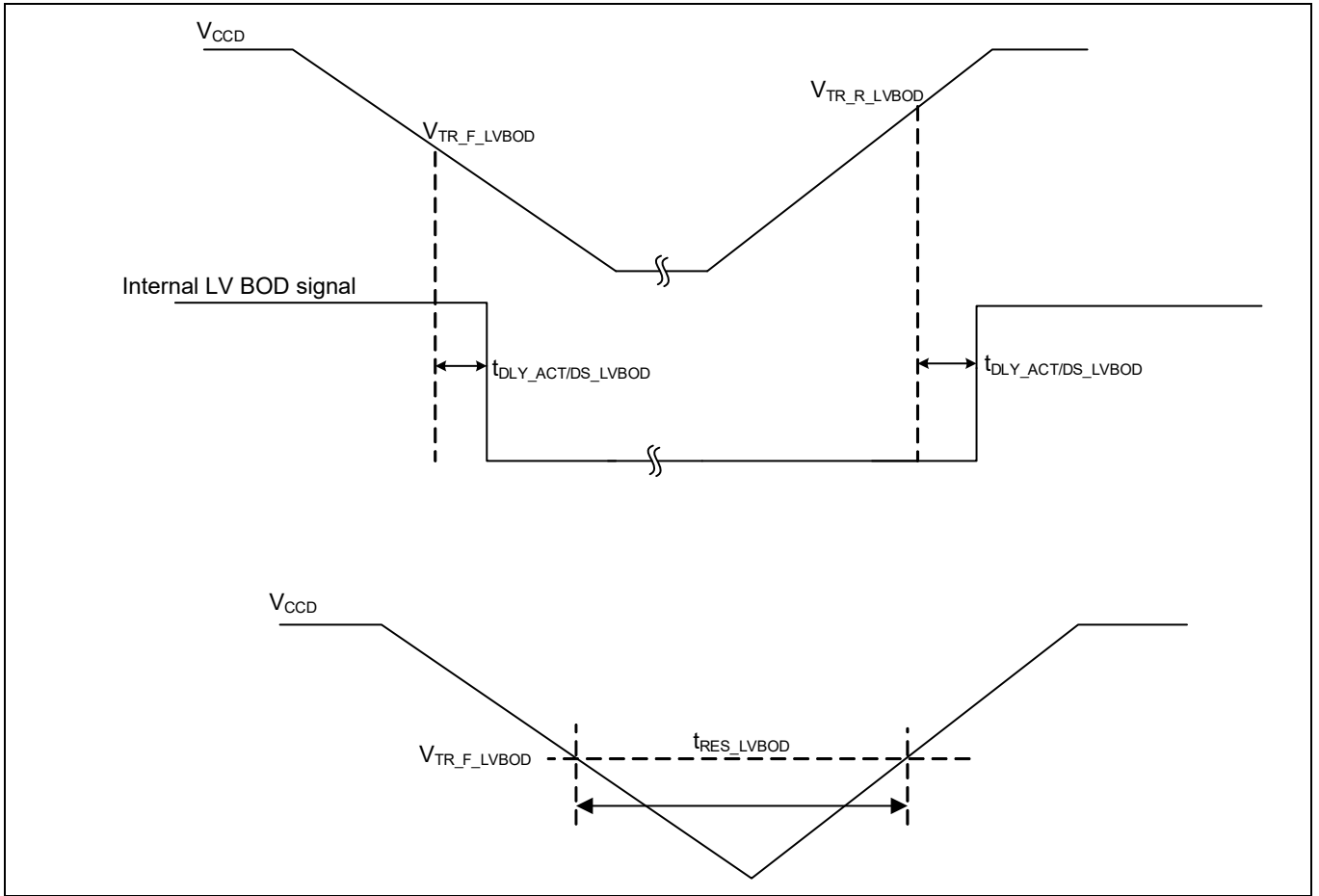
**Figure 26-14 Device operations supply range**



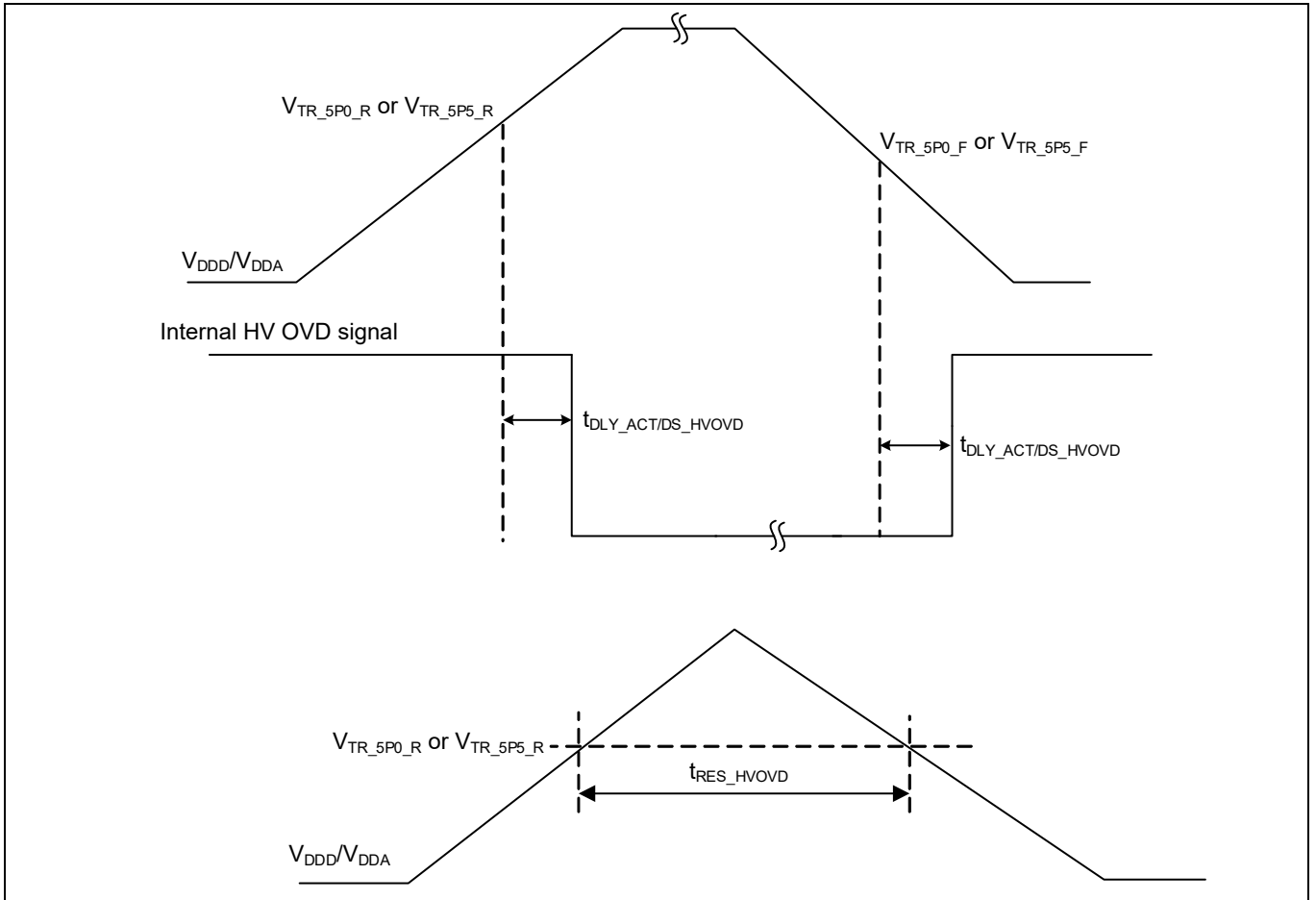
**Figure 26-15 POR specifications**



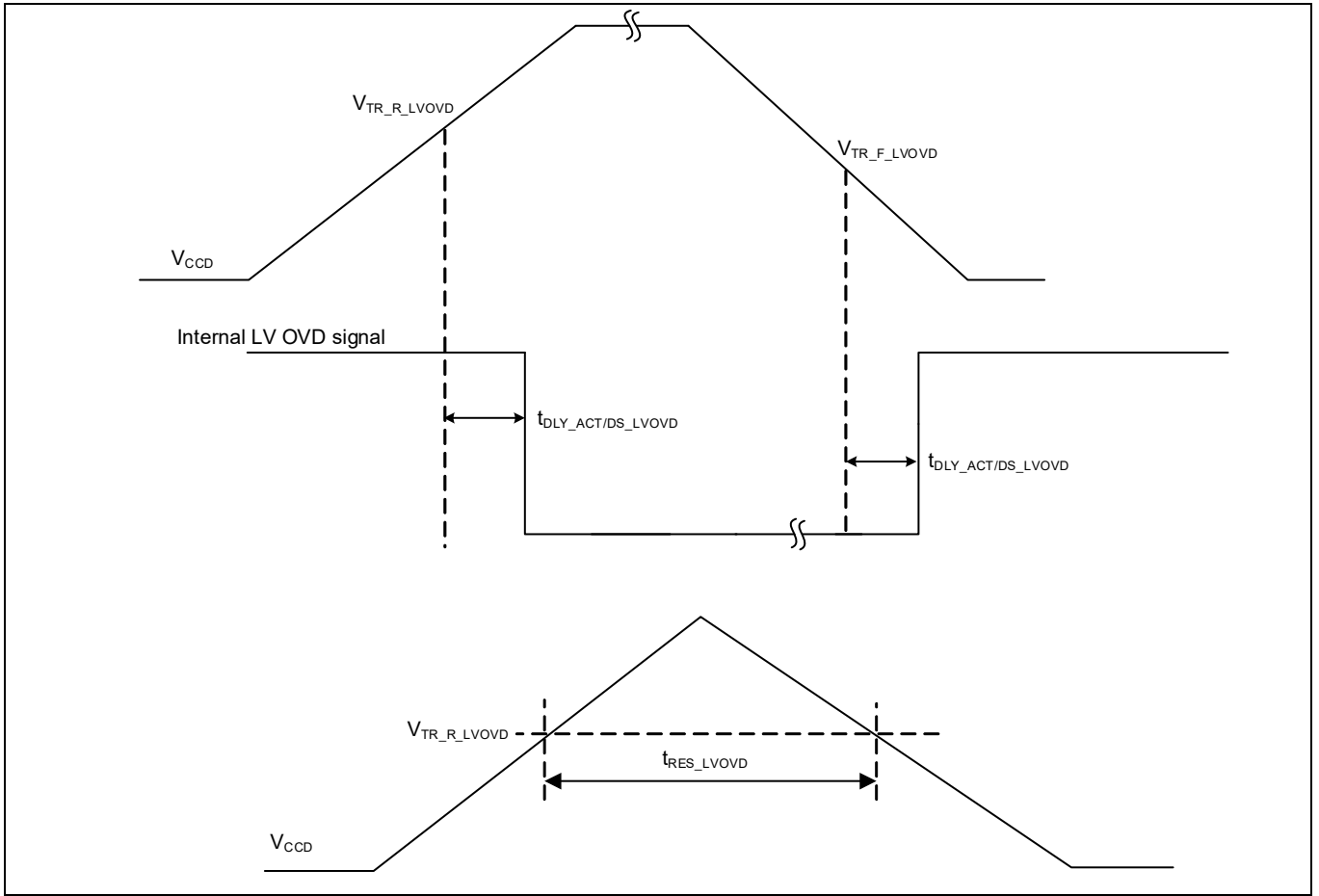
**Figure 26-16 High-voltage BOD specifications**



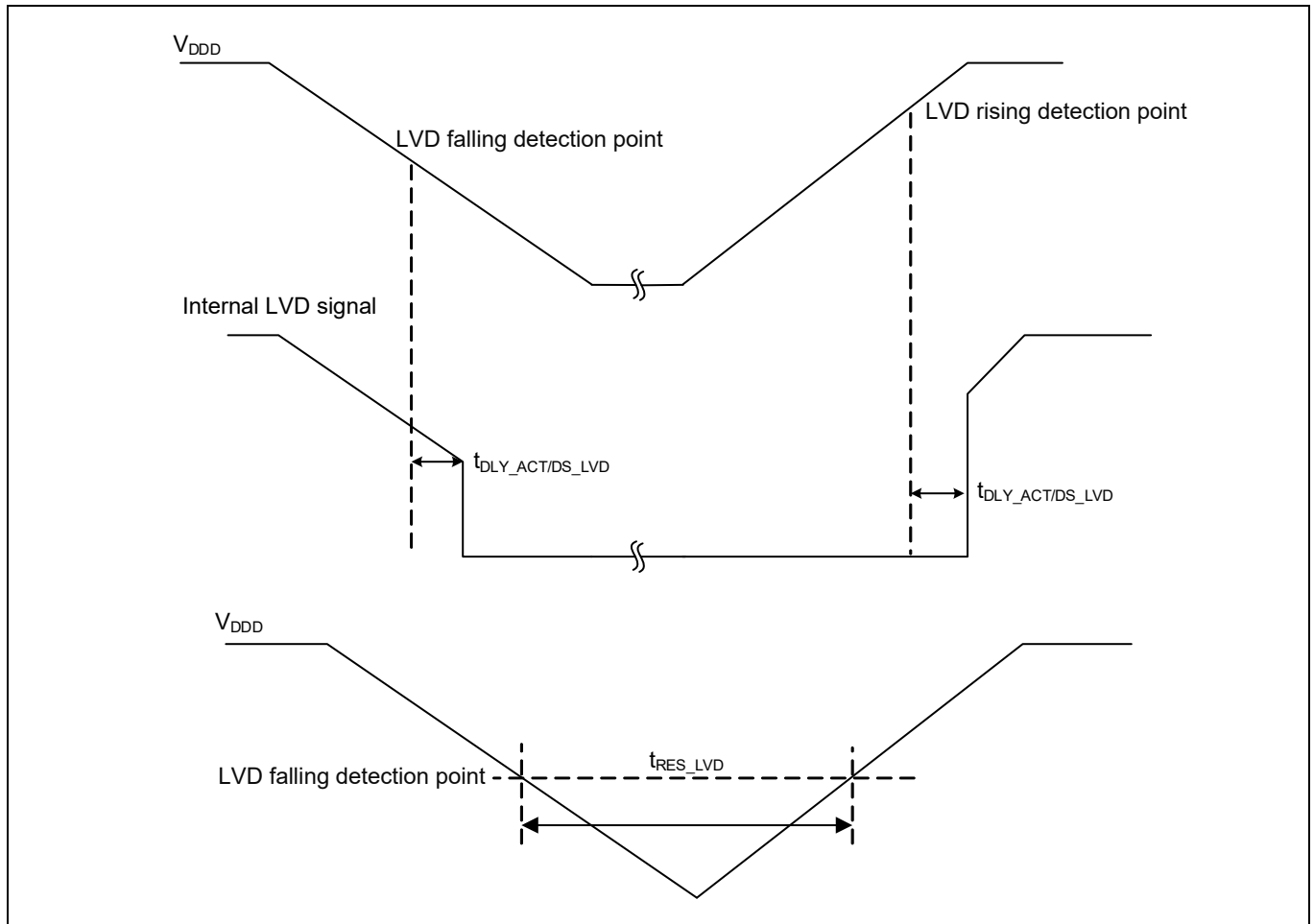
**Figure 26-17 Low-voltage BOD specifications**



**Figure 26-18 High-voltage OVD specifications**



**Figure 26-19 Low-voltage OVD specifications**



**Figure 26-20 LVD specifications**

### 26.10.1 SWD interface

**Table 26-17 SWD interface specifications [Conditions: drive\_sel<1:0>= 00]**

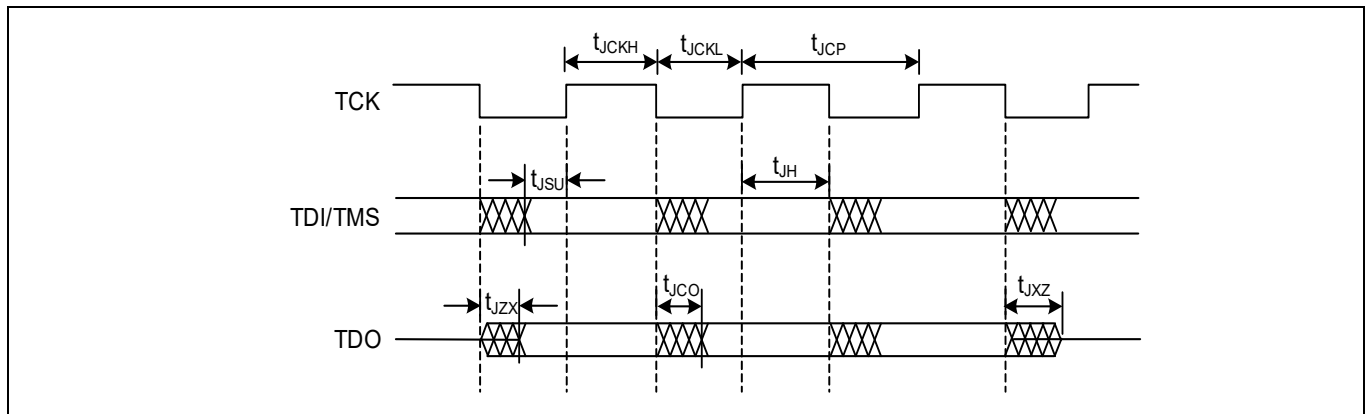
Spec ID	Parameter	Description	Min	Typ	Max	Units	Details/conditions
SID300	$f_{\text{SWDCLK}}$	SWD clock input frequency	–	–	10	MHz	$2.7 \text{ V} \leq V_{\text{DD}} \leq 5.5 \text{ V}$
SID301	$t_{\text{SWDI\_SETUP}}$	SWDI setup time	$0.25 \times T$	–	–	ns	$T = 1 / f_{\text{SWDCLK}}$
SID302	$t_{\text{SWDI\_HOLD}}$	SWDI hold time	$0.25 \times T$	–	–	ns	$T = 1 / f_{\text{SWDCLK}}$
SID303	$t_{\text{SWDO\_VALID}}$	SWDO valid time	–	–	$0.5 \times T$	ns	$T = 1 / f_{\text{SWDCLK}}$
SID304	$t_{\text{SWDO\_HOLD}}$	SWDO hold time	1	–	–	ns	$T = 1 / f_{\text{SWDCLK}}$

**Table 26-18 JTAG AC specifications [Conditions: drive\_sel<1:0>= 00]**

Spec ID	Parameter	Description	Min	Typ	Max	Units	Details/conditions
SID620	$t_{\text{JCKH}}$	TCK HIGH time	30	–	–	ns	30-pF load
SID621	$t_{\text{JCKL}}$	TCK LOW time	30	–	–	ns	30-pF load
SID622	$t_{\text{JCP}}$	TCK clock period	66.7	–	–	ns	30-pF load
SID623	$t_{\text{JSU}}$	TDI/TMS setup time	12	–	–	ns	30-pF load
SID624	$t_{\text{JH}}$	TDI/TMS hold time	12	–	–	ns	30-pF load

**Table 26-18 JTAG AC specifications [Conditions: drive\_sel<1:0>= 00] (continued)**

Spec ID	Parameter	Description	Min	Typ	Max	Units	Details/conditions
SID625	$t_{JZX}$	TDO High-Z to active	-	-	30	ns	30-pF load
SID626	$t_{JXZ}$	TDO active to High-Z	-	-	30	ns	30-pF load
SID627	$t_{JCO}$	TDO clock to output	-	-	30	ns	30-pF load



**Figure 26-21 JTAG specifications**

**Table 26-19 Trace specifications [Conditions: drive\_sel<1:0>= 00]**

Spec ID	Parameter	Description	Min	Typ	Max	Units	Details/conditions
SID1412A	$C_{TRACE}$	Trace capacitive load	-	-	30	pF	
SID1412	$t_{TRACE\_CYC}$	Trace clock period	40	-	-	ns	Trace clock cycle time for 25 MHz
SID1413	$t_{TRACE\_CLKL}$	Trace clock LOW pulse width	2	-	-	ns	Clock low pulse width
SID1414	$t_{TRACE\_CLKH}$	Trace clock HIGH pulse width	2	-	-	ns	Clock high pulse width
SID1415A	$t_{TRACE\_SETUP}$	Trace data setup time	3	-	-	ns	Trace data setup time
SID1416A	$t_{TRACE\_HOLD}$	Trace data hold time	2	-	-	ns	Trace data hold time



## 26.11 Clock specifications

All specifications are valid for  $-40\text{ °C} \leq T_A \leq 125\text{ °C}$  and for 2.7 V to 5.5 V except where noted.

**Table 26-20 Root and intermediate clocks<sup>[67]</sup>**

Clock	Max permitted clock frequency (MHz) <sup>[68]</sup>	Source	Maximum permitted clock frequency setting (MHz) <sup>[68]</sup>						Description
			PLL/FLL Clock source: ECO <sup>[69]</sup>			PLL/FLL Clock source: IMO <sup>[70]</sup>			
			Integer	SSCG	Fractional	Integer	SSCG	Fractional	
CLK_HF0	160	PLL200#0	160	NA	NA	155	NA	NA	Root clock for CPUSS, PERI
		FLL	100	NA	NA	96	NA	NA	
	100	PLL200#0	100	NA	NA	98	NA	NA	
		FLL	100	NA	NA	96	NA	NA	
CLK_HF1	250	PLL400#0	250	240	250	242	237	239	CM7 CPU Core#0, CM7 CPU Core#1 clock
		FLL	100	NA	NA	96	NA	NA	
CLK_HF2	100	PLL200#1	100	NA	NA	98	NA	NA	Peripheral clock root other than CLK_PERI
		FLL	100	NA	NA	96	NA	NA	
CLK_HF3	100	PLL200#1	100	NA	NA	98	NA	NA	Event generator (CLK_REF), clock output on EXT_CLK pins (when used as output)
		FLL	100	NA	NA	96	NA	NA	
CLK_HF4	50	PLL200#1	50	NA	NA	48	NA	NA	Ethernet Channel#0, Ethernet Channel#1 internal clock
		FLL	50	NA	NA	48	NA	NA	
CLK_HF5	196.608	PLL400#1	196.608	193	196.608	189	185	187	I <sup>2</sup> S channel#0, I <sup>2</sup> S channel#1, I <sup>2</sup> S channel#2 interface clock, Ethernet Channel#0 TSU
		FLL	100	NA	NA	96	NA	NA	
CLK_HF6	200	PLL200#1	200	NA	NA	190	NA	NA	Root clock for SDHC, SMIF interface clock
		FLL	100	NA	NA	96	NA	NA	
CLK_HF7	8	ILO	NA	NA	NA	NA	NA	CSV	
CLK_FAST_0	250	PLL400#0	250	240	250	242	237	239	Generated by clock gating CLK_HF1, CM7 CPU Core#0, intermediate clock
		FLL	100	NA	NA	96	NA	NA	
CLK_FAST_1	250	PLL400#0	250	240	250	242	237	239	Generated by clock gating CLK_HF1, CM7 CPU Core#1, intermediate clock
		FLL	100	NA	NA	96	NA	NA	

### Notes

67. Intermediate clocks that are not listed have the same limitations as that of their parent clock.

68. Maximum clock frequency after the corresponding clock source (PLL/FLL + dividers). All internal tolerances and affects are covered by these frequencies.

69. For ECO: up to ±150 ppm uncertainty of the external clock source are tolerated by design.

70. The IMO operation frequency tolerance is included. When DeepSleep mode isn't used, maximum permitted clock frequency setting of clock source IMO case is equal to clock source ECO case.

71. CLOCK\_SLOW and CLK\_HF0 are related by integer frequency ratio (that is, 1:1, 1:2, 1:3, and so on).

**Table 26-20 Root and intermediate clocks<sup>[67]</sup>**

Clock	Max permitted clock frequency (MHz) <sup>[68]</sup>	Source	Maximum permitted clock frequency setting (MHz) <sup>[68]</sup>						Description
			PLL/FLL Clock source: ECO <sup>[69]</sup>			PLL/FLL Clock source: IMO <sup>[70]</sup>			
			Integer	SSCG	Fractional	Integer	SSCG	Fractional	
CLK_MEM	160	PLL200#0	160	NA	NA	155	NA	NA	Generated by clock gating CLK_HF0, intermediate clock for SMIF, Flash, Ethernet
		FLL	100	NA	NA	96	NA	NA	
	100	PLL200#0	100	NA	NA	98	NA	NA	
		FLL	100	NA	NA	96	NA	NA	
CLK_SLOW	100	PLL200#0	100	NA	NA	98	NA	NA	Generated by clock gating CLK_MEM, intermediate clock for CM0+, P-DMA, M-DMA, Crypto, SMIF, SDHC
		FLL	100	NA	NA	96	NA	NA	
CLK_PERI	100	PLL200#0	100	NA	NA	98	NA	NA	Generated by clock gating CLK_HF0, intermediate clock for IOSS, TCPWM0, CPU trace, SMIF
		FLL	100	NA	NA	96	NA	NA	

**Table 26-21 Relation between CLK\_HF0 and CLK\_SLOW (Example)<sup>[71]</sup>**

CLK_HF0 (MHz)	CLK_SLOW (MHz)
160	80
120	60
100	100
80	80

**Table 26-22 IMO AC specifications**

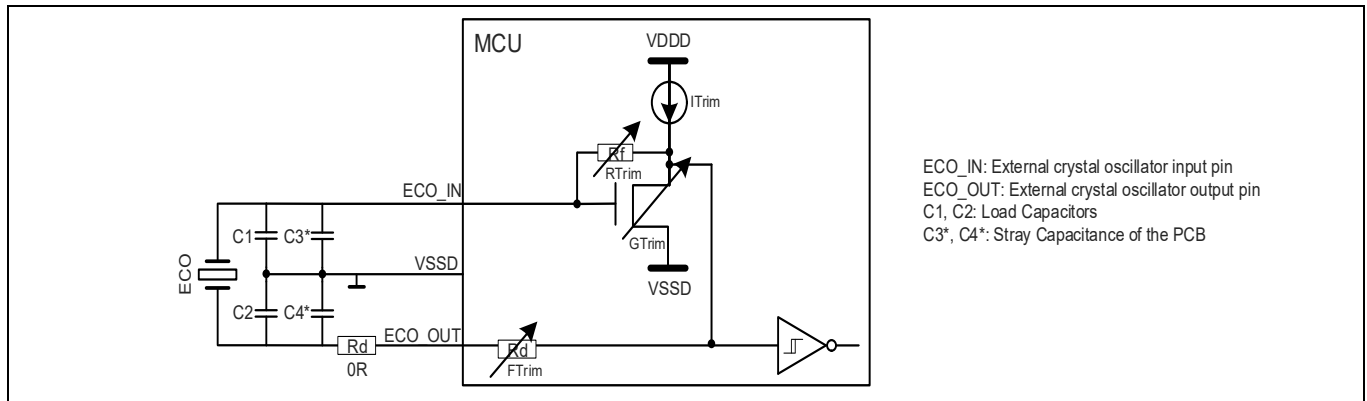
Spec ID	Parameter	Description	Min	Typ	Max	Units	Details/conditions
SID310	f <sub>IMOTOL</sub>	IMO operating frequency	7.68	8	8.32	MHz	
SID311	t <sub>STARTIMO</sub>	IMO start-up time	-	-	7.5	μs	Start-up time to 90% of final frequency
SID312	I <sub>IMO_ACT</sub>	IMO current	-	13.5	22	μA	

**Table 26-23 ILO AC specifications**

Spec ID	Parameter	Description	Min	Typ	Max	Units	Details/conditions
SID320	f <sub>ILOTRIM</sub>	ILO operating frequency	30.47424	32.768	35.06176	kHz	
SID321	t <sub>STARTILO</sub>	ILO start-up time	-	8	12	μs	Start-up time to 90% of final frequency
SID323	I <sub>ILO</sub>	ILO current	-	500	2800	nA	

**Table 26-24 ECO specifications**

Spec ID	Parameter	Description	Min	Typ	Max	Units	Details/conditions
SID330	f <sub>ECO</sub>	Crystal frequency range	8	-	33.34	MHz	
SID332	R <sub>FDBK</sub>	Feedback resistor value. Min: RTRIM = 3; Max: RTRIM = 0 with 100-kΩ step size on RTRIM	100	-	400	kΩ	Guaranteed by design
SID333	I <sub>ECO3</sub>	ECO current at T <sub>J</sub> = 150 °C	-	-	2000	μA	Maximum operation current with a 33-MHz crystal, 18-pF load
SID334	t <sub>START_8M</sub>	8-MHz ECO start-up time <sup>[72]</sup>	-	-	10	ms	Time from set CLK_ECO_ - CONFIG.ECO_EN to 1 until CLK_ECO_STATUS.ECO_READY is set to 1 (See Clock Timing Diagrams)
SID335	t <sub>START_33M</sub>	33-MHz ECO start-up time <sup>[72]</sup>	-	-	1	ms	Time from set CLK_ECO_ - CONFIG.ECO_EN to 1 until CLK_ECO_STATUS.ECO_READY is set to 1 (See Clock Timing Diagrams)



**Figure 26-22 ECO connection scheme**<sup>[73]</sup>

**Table 26-25 PLL specifications**

Spec ID	Parameter	Description	Min	Typ	Max	Units	Details/conditions
<b>PLL (without SSCG and fractional divider) specifications for 200 MHz</b>							
SID340	$t_{PLL200\_LOCK}$	Time to achieve PLL lock	-	-	35	$\mu s$	Time from stable reference clock until PLL frequency is within 0.1% of final value and lock indicator is set
SID341	$f_{PLL\_OUT}$	Output frequency from PLL block	11	-	200	MHz	
SID342	PLL_LJIT1	Long term jitter	-0.25	-	0.25	ns	For 125 ns Guaranteed by design $f_{PLL\_VCO}$ : 320 MHz or 400 MHz $f_{PLL\_OUT}$ : 40 MHz to 200 MHz $f_{PLL\_PFD}$ : 8 MHz $f_{PLL\_IN}$ : ECO
SID343	PLL_LJIT2	Long term jitter	-0.5	-	0.5	ns	For 500 ns Guaranteed by design $f_{PLL\_VCO}$ : 320 MHz or 400 MHz $f_{PLL\_OUT}$ : 40 MHz to 200 MHz $f_{PLL\_PFD}$ : 8 MHz $f_{PLL\_IN}$ : ECO
SID344	PLL_LJIT3	Long term jitter	-0.5	-	0.5	ns	For 1000 ns Guaranteed by design $f_{PLL\_VCO}$ : 320 MHz or 400 MHz $f_{PLL\_OUT}$ : 40 MHz to 200 MHz $f_{PLL\_PFD}$ : 8 MHz $f_{PLL\_IN}$ : ECO

**Notes**

72. Mainly depends on the external crystal.

73. Refer to the family-specific Architecture TRM for more information on crystal requirements (002-24401, TRAVEO™ T2G Automotive MCU body controller high architecture technical reference manual).

Electrical specifications

**Table 26-25 PLL specifications** (continued)

Spec ID	Parameter	Description	Min	Typ	Max	Units	Details/conditions
SID345A1	PLL_LJIT5	Long term jitter	-0.75	-	0.75	ns	For 10000 ns Guaranteed by design $f_{PLL\_VCO}$ : 320 MHz or 400 MHz $f_{PLL\_OUT}$ : 40 MHz to 200 MHz $f_{PLL\_PFD}$ : 8 MHz $f_{PLL\_IN}$ : ECO
SID346	$f_{PLL\_IN}$	PLL input frequency	3.988	-	33.34	MHz	
SID347	$I_{PLL\_200M}$	PLL operating current ( $f_{OUT} = 200$ MHz)	-	0.87	1.8	mA	$f_{OUT} = 200$ MHz
SID348C	$f_{PLL\_VCO}$	VCO frequency	170	-	400	MHz	
SID349C	$f_{PLL\_PFD}$	PFD frequency	3.988	-	8	MHz	
<b>PLL (with SSCG and fractional divider) specifications for 400 MHz</b>							
SID340A	$t_{PLL400\_LOCK}$	Time to achieve PLL lock	-	-	50	μs	Time from stable reference clock until PLL frequency is within 0.1% of final value and lock indicator is set
SID341A4	$f_{OUT0\_4M}$	Programmed output frequency from PLL Block (spreading off)	25	-	250	MHz	Spreading off
SID341B4	$f_{OUT1\_4M}$	Programmed output frequency from PLL Block (spreading on)	25	-	240	MHz	Spreading on
SID343A	SPREAD_D	Spread spectrum modulation depth	0.5	-	3	%	Downspread only, triangle modulation
SID343B	$f_{SPREAD\_MR}$	Spread spectrum modulation rate	-	-	32	kHz	Selected by modulation divider from $f_{PFD}$
SID342D14	PLL400_L-JIT14	Long term jitter	-0.25	-	0.25	ns	For 125 ns Guaranteed by design $f_{VCO}$ : 800 MHz or 500 MHz (spreading is off) $f_{IN}$ : ECO $f_{PFD}$ : 4 MHz $f_{OUT}$ : 100 MHz to 250 MHz
SID343D14	PLL400_L-JIT24	Long term jitter	-0.5	-	0.5	ns	For 500 ns Guaranteed by design $f_{VCO}$ : 800 MHz or 500 MHz (spreading is off) $f_{IN}$ : ECO $f_{PFD}$ : 4 MHz $f_{OUT}$ : 100 MHz to 250 MHz
SID344D14	PLL400_L-JIT34	Long term jitter	-1	-	1	ns	For 1000 ns Guaranteed by design $f_{VCO}$ : 800 MHz or 500 MHz (spreading is off) $f_{IN}$ : ECO $f_{PFD}$ : 4 MHz $f_{OUT}$ : 100 MHz to 250 MHz

Electrical specifications

**Table 26-25 PLL specifications** (continued)

Spec ID	Parameter	Description	Min	Typ	Max	Units	Details/conditions
SID345E14	PLL400_L-JIT54	Long term jitter	-1.5	-	1.5	ns	For 10000 ns Guaranteed by design $f_{VCO}$ : 800 MHz or 500 MHz (spreading is off) $f_{IN}$ : ECO $f_{PFD}$ : 4 MHz $f_{OUT}$ : 100 MHz to 250 MHz
SID345A	$f_{VCO}$	VCO frequency	400	-	800	MHz	
SID346A	$f_{IN}$	PLL input frequency	3.988	-	33.34	MHz	
SID347A	$I_{PLL\_400M}$	PLL operating current ( $f_{OUT} = 400$ MHz)	-	1.4	2.2	mA	$f_{OUT} = 400$ MHz
SID348A	$f_{PFD\_S}$	PFD Frequency ( $f_{IN}$ / Reference divider)	3.988	-	20	MHz	Spreading off/on
SID349A	$f_{PFD\_F}$	PFD Frequency ( $f_{IN}$ / Reference divider)	8	-	20	MHz	Fractional operation
SID341C	$f_{OUT\_400\_8S1}$	Output frequency from PLL Block (spreading on)	93	-	105	MHz	$f_{PFD} = 8$ MHz, $f_{VCO} = 400$ MHz, $f_{OUT} = 100$ MHz, Modulation frequency: $f_{PFD} / 512$ , Modulation depth: 3%
SID342C	$t_{PLL\_C-JIT400\_8S1}$	Cycle-to-cycle jitter (spreading on)	-710	-	710	ps	$f_{PFD} = 8$ MHz, $f_{VCO} = 400$ MHz, $f_{OUT} = 100$ MHz, Modulation frequency: $f_{PFD} / 512$ , Modulation depth: 3%
SID341D	$f_{OUT\_400\_8S2}$	Output frequency from PLL Block (spreading on)	93	-	105	MHz	$f_{PFD} = 8$ MHz, $f_{VCO} = 400$ MHz, $f_{OUT} = 100$ MHz, Modulation frequency: $f_{PFD} / 256$ , Modulation depth: 3%
SID342D	$t_{PLL\_C-JIT400\_8S2}$	Cycle-to-cycle jitter (spreading on)	-710	-	710	ps	$f_{PFD} = 8$ MHz, $f_{VCO} = 400$ MHz, $f_{OUT} = 100$ MHz, Modulation frequency: $f_{PFD} / 256$ , Modulation depth: 3%

**Table 26-26 FLL specifications**

Spec ID	Parameter	Description	Min	Typ	Max	Units	Details/conditions
SID350	$t_{FLL\_WAKE}$	FLL wake up time	-	-	5	μs	Wakeup with < 10 °C temperature change while in DeepSleep. $f_{FLL\_IN} = 8$ MHz, $f_{FLL\_OUT} = 100$ MHz, Time from stable reference clock until FLL frequency is within 5% of final value
SID351	$f_{FLL\_OUT}$	Output frequency from FLL block	24	-	100	MHz	Output range of FLL divided-by-2 output

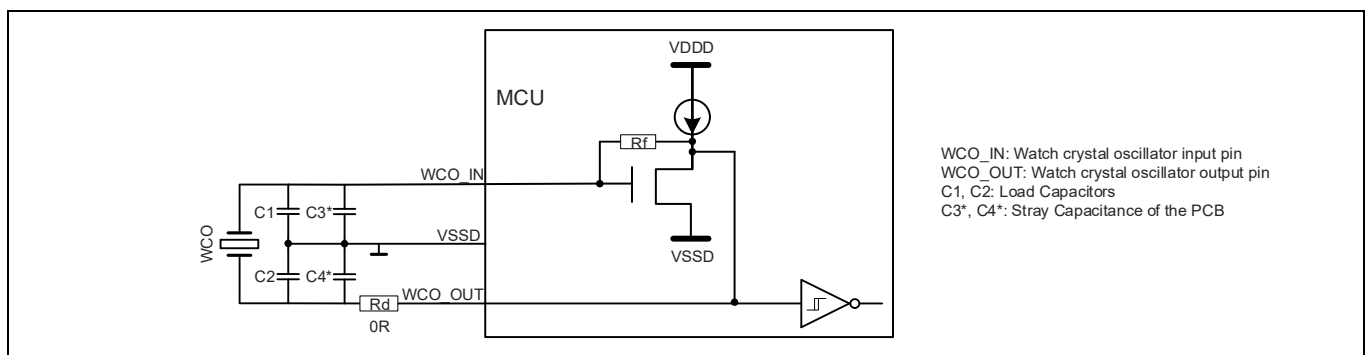
Electrical specifications

**Table 26-26 FLL specifications**

Spec ID	Parameter	Description	Min	Typ	Max	Units	Details/conditions
SID352	FLL_CJIT	FLL frequency accuracy	-1	-	1	%	This is added to the error of the source
SID353	f <sub>FLL_IN</sub>	Input frequency	0.25	-	80	MHz	
SID354	I <sub>FLL</sub>	FLL operating current	-	250	360	μA	Reference clock: IMO, CCO frequency: 200 MHz, FLL frequency: 100 MHz, guaranteed by design

**Table 26-27 WCO specifications**

Spec ID	Parameter	Description	Min	Typ	Max	Units	Details/conditions
SID360	f <sub>WCO</sub>	Crystal frequency	-	32.768	-	kHz	Maximum drive level: 0.5 μW
SID361	WCO_DC	WCO duty cycle	10	-	90	%	
SID362	t <sub>START_WCO</sub>	WCO start up time <sup>[74]</sup>	-	-	1000	ms	For Grade-S devices Time from set CTL.WCO_EN to 1 until STATUS.WCO_OK is set to 1. (See Clock Timing Diagrams)
SID362E	t <sub>START_WCOE</sub>	WCO start-up time <sup>[74]</sup>	-	-	1400	ms	For Grade-E devices Time from set CTL.WCO_EN to 1 until STATUS.WCO_OK is set to 1. (See Clock Timing Diagrams)
SID363	I <sub>WCO</sub>	WCO current	-	1.4	-	μA	



**Figure 26-23 WCO connection scheme<sup>[75]</sup>**

**Table 26-28 External clock input specifications**

Spec ID	Parameter	Description	Min	Typ	Max	Units	Details/conditions
---------	-----------	-------------	-----	-----	-----	-------	--------------------

**Notes**

74. Mainly depends on the external crystal.

75. Refer to the family-specific Architecture TRM for more information on crystal requirements (002-24401, TRAVEO™ T2G Automotive MCU body controller high architecture technical reference manual).

**Table 26-28 External clock input specifications**

SID366	$f_{EXT}$	External clock input frequency	0.25	–	80	MHz	For EXT_CLK pin (all input level settings: CMOS, TTL, Automotive)
SID367	EXT_DC	External clock duty cycle	45	–	55	%	



Electrical specifications

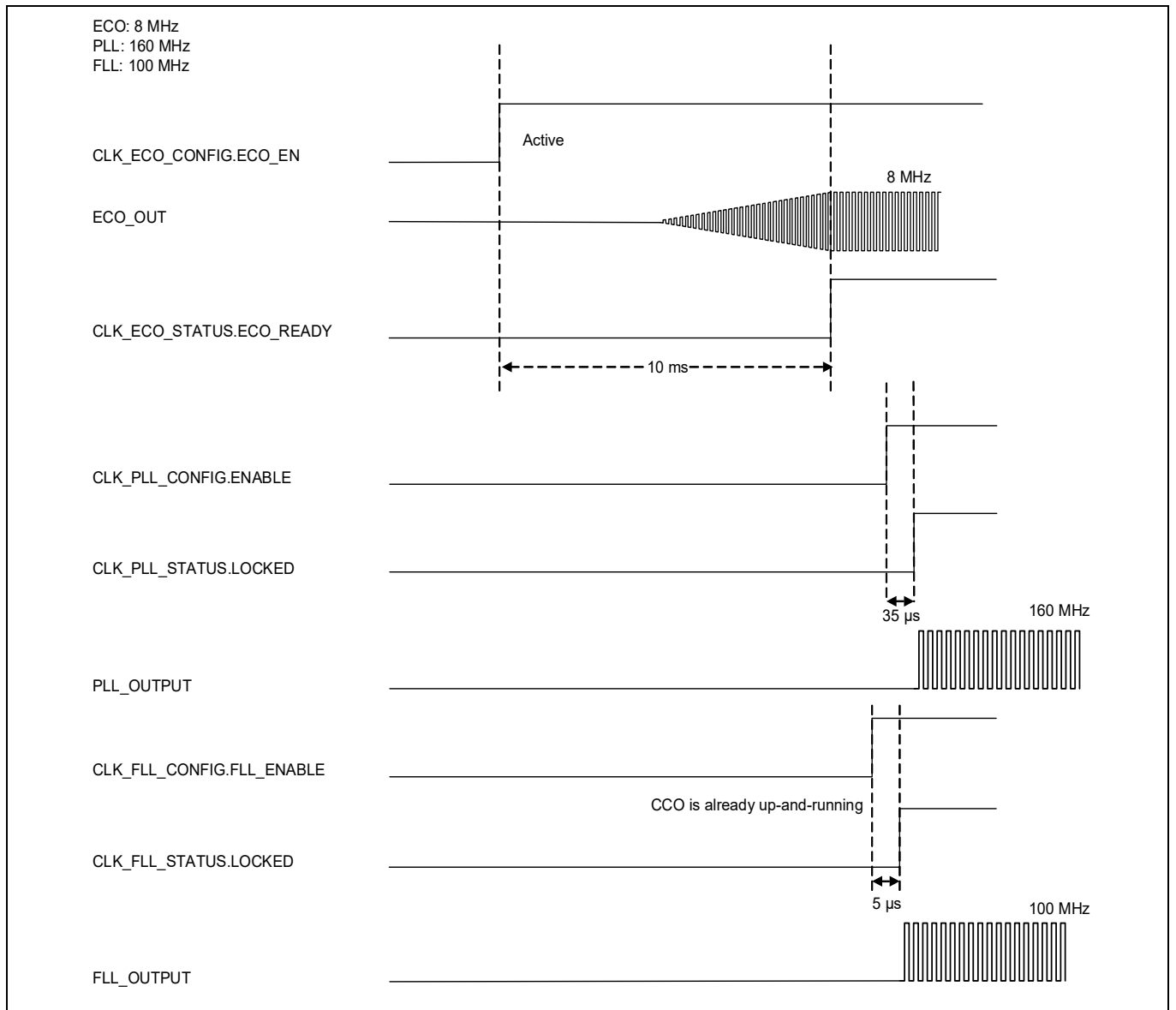
**Table 26-29 MCWDT timeout specifications**

Spec ID	Parameter	Description	Min	Typ	Max	Units	Details/conditions
SID410	t <sub>MCWDT1</sub>	Minimum MCWDT timeout	57	–	–	μs	When using the ILO (32.768 kHz + 7%) and 16-bit MCWDT counter Guaranteed by design
SID411	t <sub>MCWDT2</sub>	Maximum MCWDT timeout	–	–	2.15	s	When using the ILO (32.768 kHz – 7%) and 16-bit MCWDT counter Guaranteed by design

**Table 26-30 WDT timeout specifications**

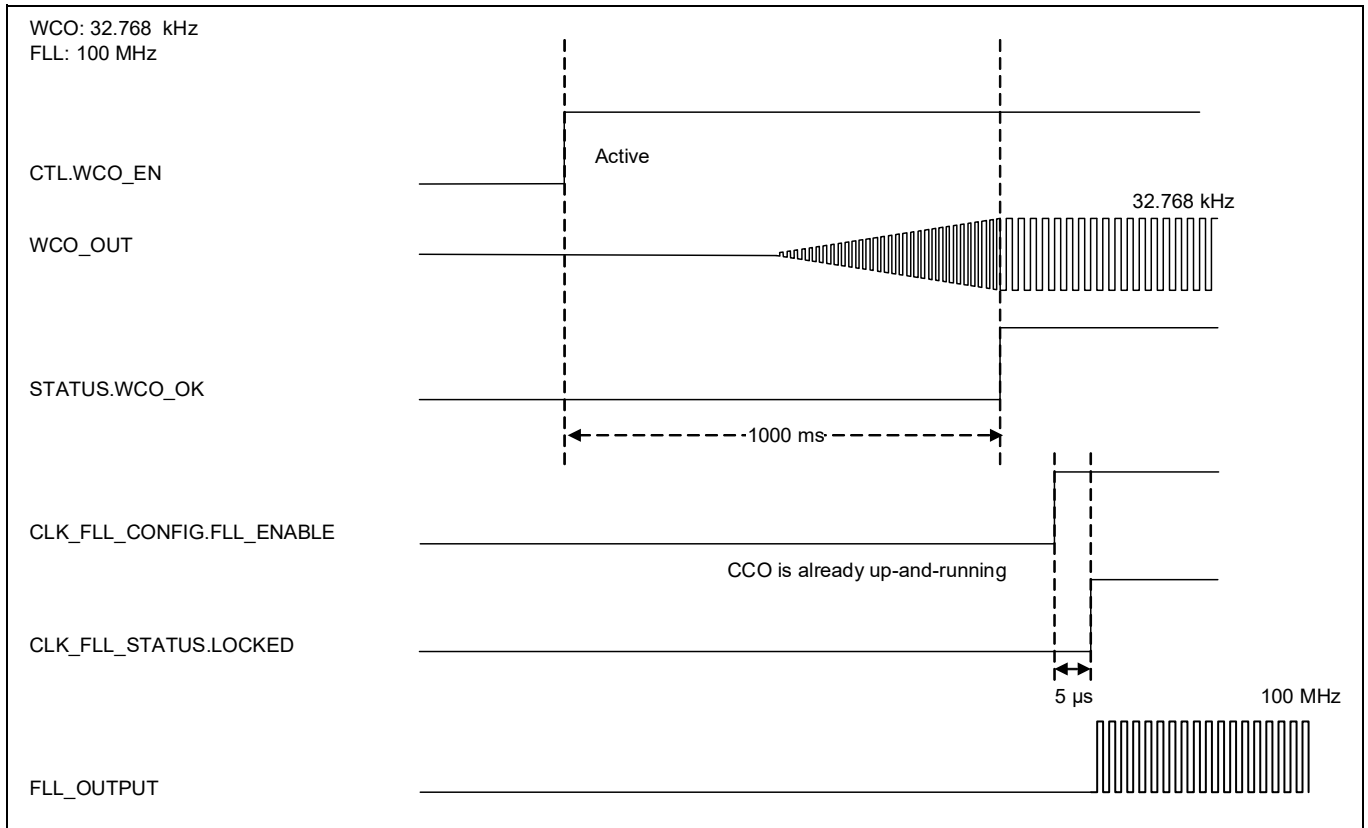
Spec ID	Parameter	Description	Min	Typ	Max	Units	Details/conditions
SID412	t <sub>WDT1</sub>	Minimum WDT timeout	57	–	–	μs	When using the ILO (32.768 kHz + 7%) and 32-bit WDT counter, guaranteed by design
SID413	t <sub>WDT2</sub>	Maximum WDT timeout	–	–	39.15	h	When using the ILO (32.768 kHz – 7%) and 32-bit WDT counter, guaranteed by design
SID414	t <sub>WDT3</sub>	Default WDT timeout	–	1000	–	ms	When using the ILO and 32-bit WDT counter at 0x8000 (default value), guaranteed by design

## 26.12 Clock timing diagrams



**Figure 26-24 ECO to PLL or FLL diagram**

Electrical specifications



**Figure 26-25 WCO to FLL diagram**

## 26.13 Ethernet specifications

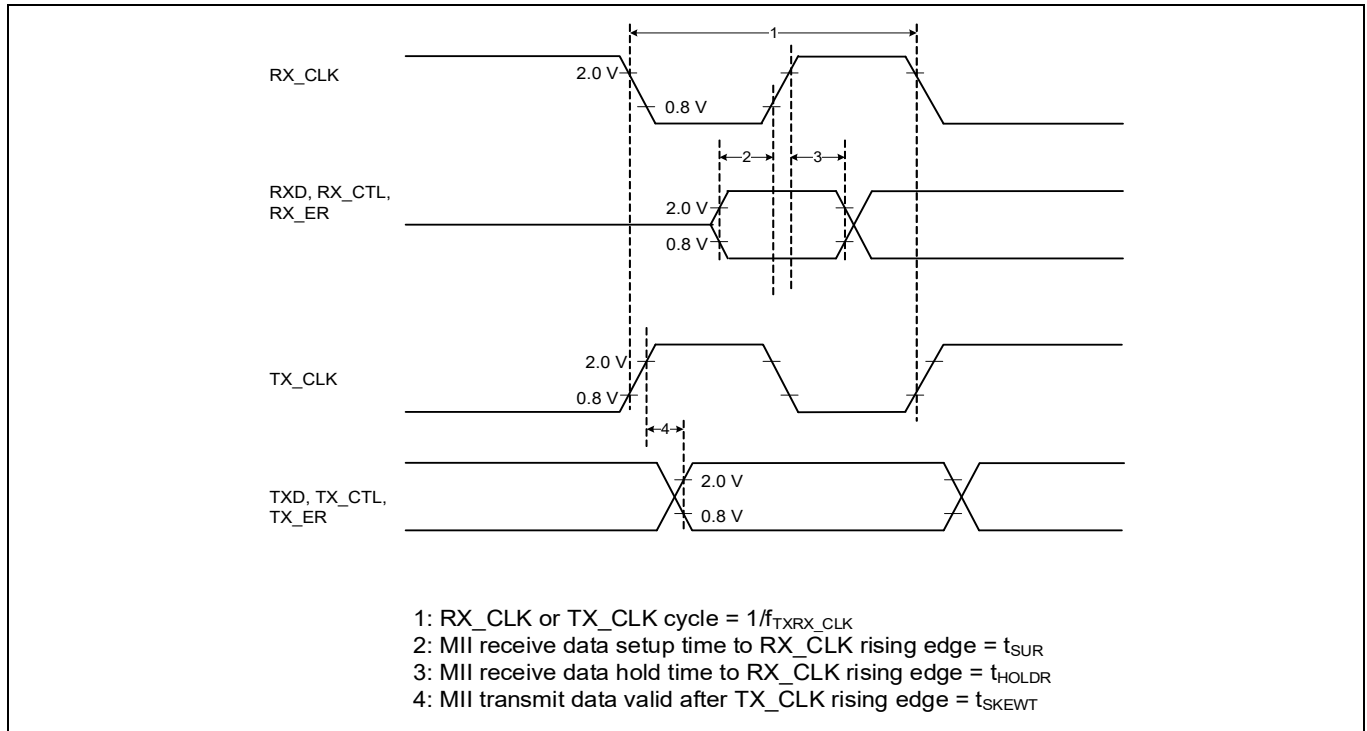
All specifications are valid for  $-40\text{ °C} \leq T_A \leq 125\text{ °C}$  and for 2.7 V to 5.5 V except where noted.

**Table 26-31 Ethernet specifications [Conditions: drive\_sel<1:0>= 00]**

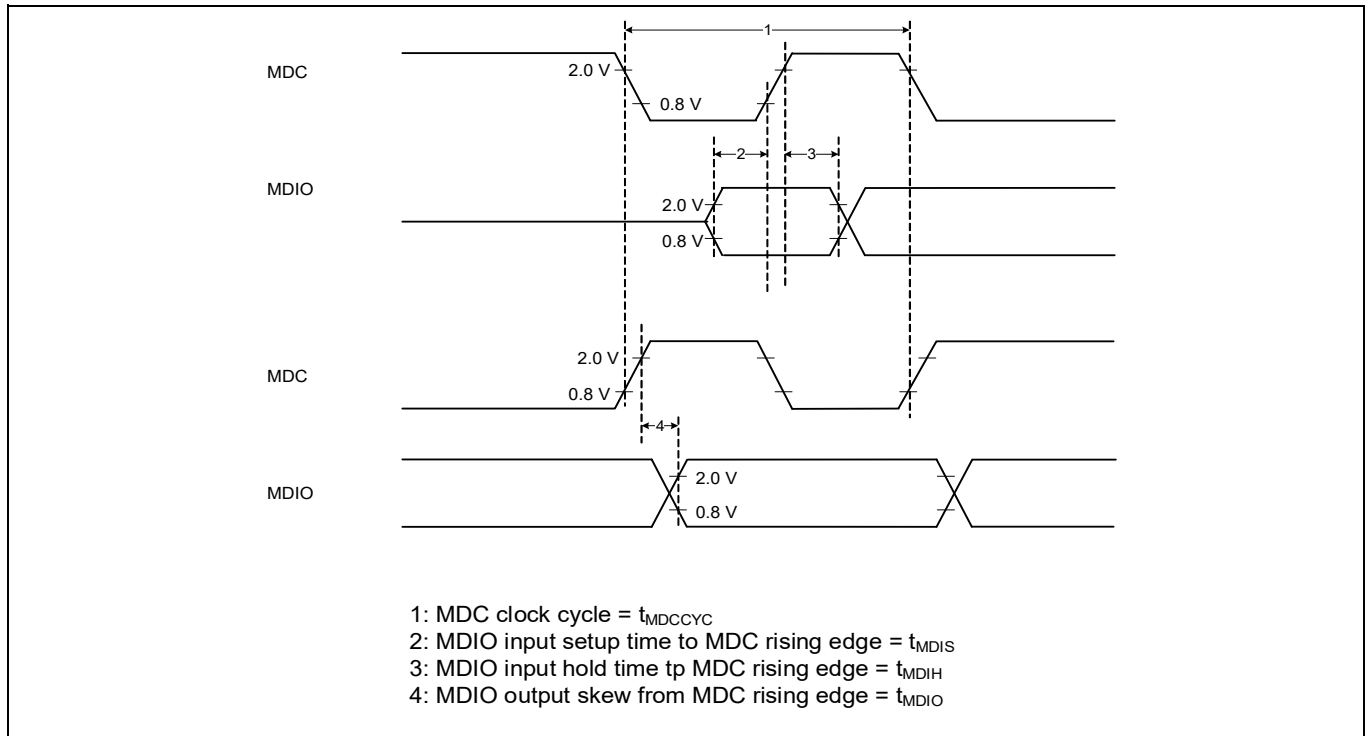
Spec ID	Parameter	Description	Min	Typ	Max	Units	Details/conditions
<b>Ethernet general specifications</b>							
SID368	f <sub>SYS</sub>	System clock max frequency	–	–	100	MHz	Guaranteed by design
SID369	f <sub>AXI</sub>	AXI clock max frequency	–	–	200	MHz	Guaranteed by design
SID399	V <sub>ETH</sub>	Ethernet MAC I/O supply voltage	3.0	–	3.6	V	For V <sub>DDD</sub>
SID364A	C <sub>L_MD</sub>	Load capacitance	–	–	25	pF	For MDIO all signals between MAC and PHY using GPIO_STD
SID364A2	C <sub>L_MG</sub>	Load capacitance	–	–	15	pF	For MII and RMI all signals between MAC and PHY using GPIO_STD
SID365A	t <sub>RF</sub>	Rise / fall time (For input pins)	–	–	2	ns	20% to 80%, for MII and RMI using GPIO_STD
<b>Ethernet MII specifications for GPIO_STD</b>							
SID375	f <sub>TXRX_CLK</sub>	MII TX/RX_CLK Clock frequency at 100 Mbps	– 100ppm	25	100ppm	MHz	
SID376	DUTY_TX-RX_CLK	TX/RX Clock Duty cycle	35	–	65	%	
SID372	t <sub>SKEWT</sub>	MII Transmit data (TX_CTL, TXD, TX_ER) valid after TX_CLK	0.5	–	25	ns	
SID373	t <sub>SUR</sub>	MII Receive data setup to RX_CLK rising edge	10	–	–	ns	
SID374	t <sub>HOLDR</sub>	MII Receive data hold to RX_CLK rising edge	10	–	–	ns	
<b>Ethernet RMI specifications for GPIO_STD</b>							
SID375A	f <sub>REF_CLK</sub>	RMI reference Clock frequency (input)	–50ppm	50	50ppm	MHz	External clock
SID376A	DUTY_REF_CLK	Duty cycle of reference clock (input)	35	–	65	%	
SID377	t <sub>SU</sub>	RX_CTL, RXD[1:0], RX_ER Data Setup to REF_CLK rising edge	4	–	–	ns	
SID378	t <sub>HOLD</sub>	RX_CTL, RXD[1:0], RX_ER, Data hold from REF_CLK rising edge	2	–	–	ns	
SID393	t <sub>TXOUT</sub>	TX_CTL, TXD[1:0], Data output delay from REF_CLK rising edge	2	–	14.6	ns	For GPIO_STD
<b>Ethernet MDIO specifications for GPIO_STD</b>							
SID395	t <sub>MDCYC</sub>	MDC clock cycle	400	–	–	ns	
SID395A	t <sub>HL_MDCYC</sub>	The minimum HIGH and LOW times for MDC	160	–	–	ns	
SID396	t <sub>MDIS</sub>	MDIO input setup time to MDC rising edge	100	–	–	ns	

**Table 26-31 Ethernet specifications (continued)[Conditions: drive\_sel<1:0>= 00]**

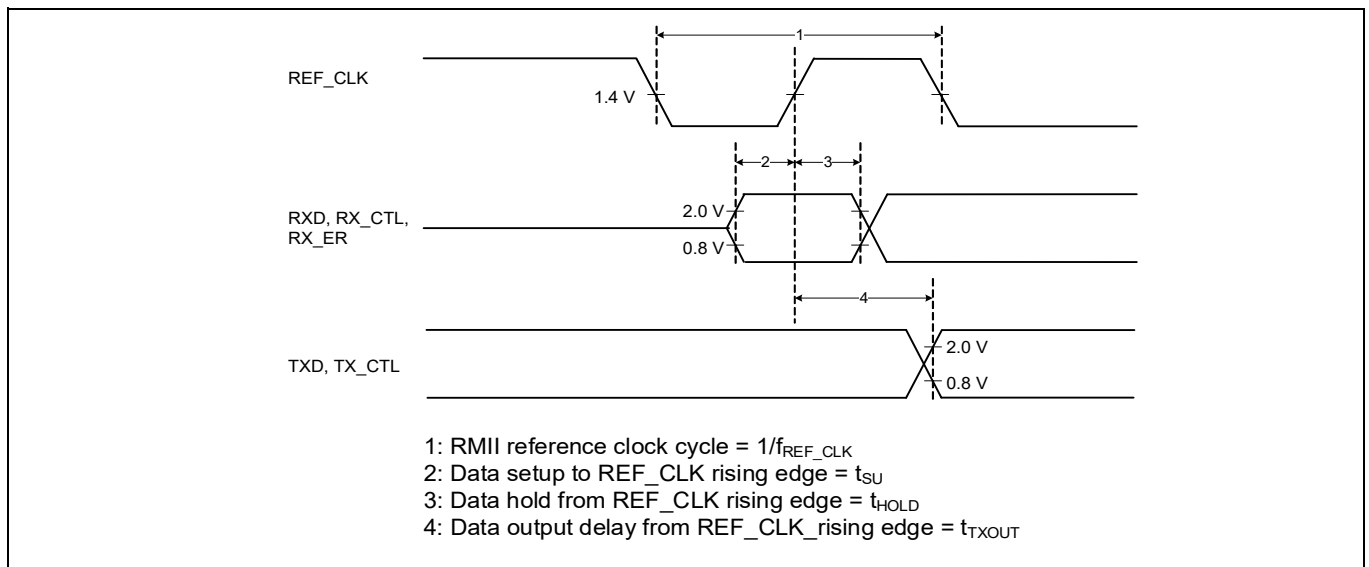
Spec ID	Parameter	Description	Min	Typ	Max	Units	Details/conditions
SID397	t <sub>MDIH</sub>	MDIO input hold time to MDC rising edge	0	-	-	ns	
SID398	t <sub>MDIO</sub>	MDIO output skew from MDC rising edge	10	-	390	ns	



**Figure 26-26 MII timing diagram**



**Figure 26-27 MDIO timing diagram**



**Figure 26-28 RMII timing diagram**

## 26.14 SDHC specifications

All specifications are valid for  $-40\text{ °C} \leq T_A \leq 125\text{ °C}$  and for 2.7 V to 5.5 V except where noted.

**Table 26-32 SDHC specifications**

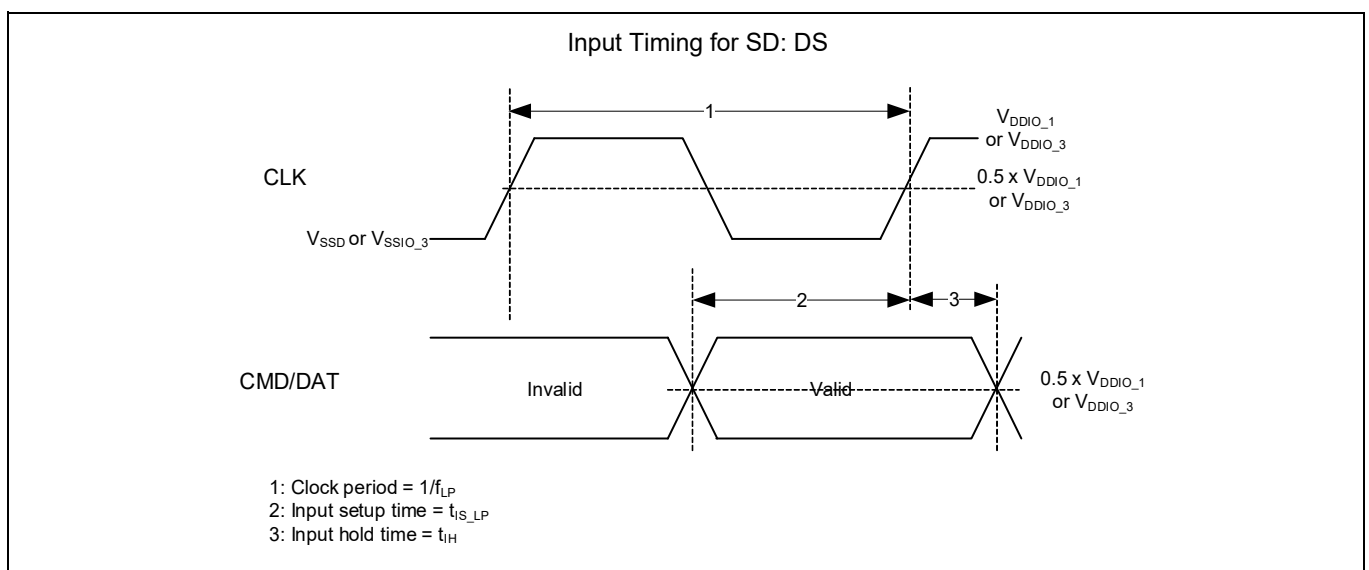
Spec ID	Parameter	Description	Min	Typ	Max	Units	Details/conditions
<b>SDHC and eMMC specifications (the source clock must be divided by 2 or more in DDR modes)</b>							
SID801	V <sub>SDHC</sub>	SDHC IO supply voltage	2.7	–	3.6	V	For V <sub>DDIO_1</sub> or V <sub>DDIO_3</sub>
SID802	I <sub>ODS</sub>	I/O drive select	8	–	8	mA	drive_sel<1:0>= 0b00 for all modes
SID803	t <sub>IT</sub>	Input transition time	0.7	–	3	ns	
<b>SD: DS timing specifications for GPIO_STD/HSIO_STD</b>							
SID810	f <sub>LP</sub>	Interface clock period	–	–	25	MHz	40-ns period
SID812	C <sub>D</sub>	I/O loading at DATA/CMD pins	40	–	40	pF	
SID813	C <sub>C</sub>	I/O loading at CLK pins	40	–	40	pF	
SID814	t <sub>OS</sub>	Output setup time of CMD/DAT prior to CLK	5.5	–	–	ns	
SID815	t <sub>OH</sub>	Output hold time of CMD/DAT after CLK	5.5	–	–	ns	
SID816	t <sub>IS_LP</sub>	Input setup time of CMD/DAT prior to CLK	24	–	–	ns	Clock period - Output delay
SID818	t <sub>IH</sub>	Input hold time of CMD/DAT after CLK	0	–	–	ns	
<b>SD: HS timing specifications for GPIO_STD/HSIO_STD</b>							
SID820	f <sub>LP_SD_HS</sub>	Interface clock period	–	–	50	MHz	20-ns period
SID822	C <sub>D_SD_HS</sub>	I/O loading at DATA/CMD pins	40	–	40	pF	
SID823	C <sub>C_SD_HS</sub>	I/O loading at CLK pins	40	–	40	pF	
SID824	t <sub>OS_SD_HS</sub>	Output setup time of CMD/DAT prior to CLK	6.5	–	–	ns	
SID825	t <sub>OH_SD_HS</sub>	Output hold time of CMD/DAT after CLK	2.5	–	–	ns	
SID826	t <sub>IS_LP_SD_HS</sub>	Input setup time of CMD/DAT prior to CLK	4	–	–	ns	Clock period less output delay
SID828	t <sub>IH_SD_HS</sub>	Input hold time of CMD/DAT after CLK	2.5	–	–	ns	
<b>eMMC: BWC timing specifications for GPIO_STD/HSIO_STD</b>							
SID870	f <sub>LP_eMMC_BWC</sub>	Interface clock period	–	–	26	MHz	38.4-ns period
SID872	C <sub>D_eMMC_BWC</sub>	I/O loading at DATA/CMD pins	30	–	30	pF	
SID873	C <sub>C_eMMC_BWC</sub>	I/O loading at CLK pins	30	–	30	pF	
SID874	t <sub>OS_eM-MC_BWC</sub>	Output setup time of CMD/DAT prior to CLK	3.5	–	–	ns	
SID875	t <sub>OH_eM-MC_BWC</sub>	Output hold time of CMD/DAT after CLK	3.5	–	–	ns	
SID876	t <sub>IS_LP_eM-MC_BWC</sub>	Input setup time of CMD/DAT prior to CLK	9.7	–	–	ns	Clock period less output delay
SID878	t <sub>IH_eMMC_BWC</sub>	Input hold time of CMD/DAT after CLK	8.3	–	–	ns	
<b>eMMC: SDR timing specifications for HSIO_STD</b>							

**Table 26-32 SDHC specifications** (continued)

Spec ID	Parameter	Description	Min	Typ	Max	Units	Details/conditions
SID880	$f_{LP\_eMMC\_SDR}$	Interface clock period	-	-	52	MHz	19.2-ns period
SID882	$C_{D\_eMMC\_SDR}$	I/O loading at DATA/CMD pins	30	-	30	pF	
SID883	$C_{C\_eMMC\_SDR}$	I/O loading at CLK pins	30	-	30	pF	
SID884	$t_{OS\_eMMC\_SDR}$	Output setup time of CMD/DAT prior to CLK	3.5	-	-	ns	
SID885	$t_{OH\_eMMC\_SDR}$	Output hold time of CMD/DAT after CLK	3.5	-	-	ns	
SID886	$t_{IS\_LP\_eMMC\_SDR}$	Input setup time of CMD/DAT prior to CLK	3.5	-	-	ns	Clock period less output delay
SID888	$t_{IH\_eMMC\_SDR}$	Input hold time of CMD/DAT after CLK	2.5	-	-	ns	

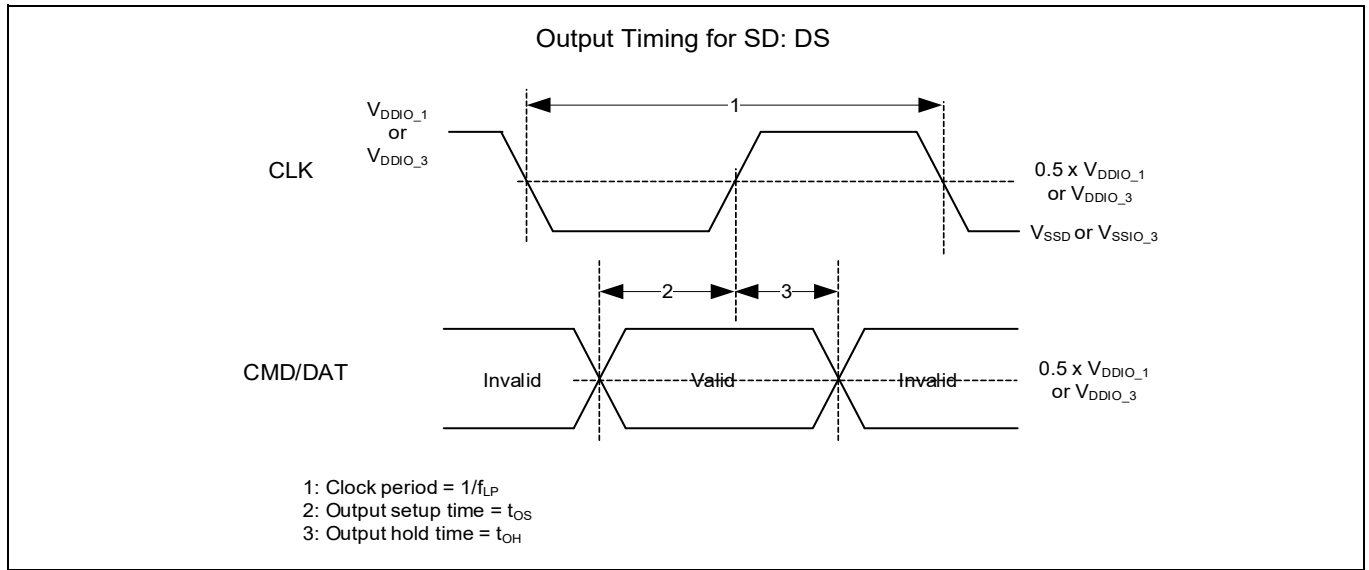
**eMMC: DDR timing specifications for HSIO\_STD**

SID890	$f_{LP\_eMMC\_DDR}$	Interface clock period	-	-	52	MHz	19.2-ns period
SID892	DUTY\_CLK\_eMMC\_DDR	Duty cycle of output CLK	45	-	55	%	
SID893	$C_{D\_eMMC\_DDR}$	I/O loading at DATA/CMD pins	20	-	20	pF	
SID894	$C_{C\_eMMC\_DDR}$	I/O loading at CLK pins	20	-	20	pF	
SID895	$t_{OS\_eMMC\_DDR}$	Output setup time of CMD/DAT prior to CLK	2.6	-	-	ns	
SID896	$t_{OH\_eMMC\_DDR}$	Output hold time of CMD/DAT after CLK	2.6	-	-	ns	
SID897	$t_{IS\_LP\_eMMC\_DDR}$	Input setup time of CMD/DAT prior to CLK	2.4	-	-	ns	Clock period less output delay
SID899	$t_{IH\_eMMC\_DDR}$	Input hold time of CMD/DAT after CLK	1.5	-	-	ns	

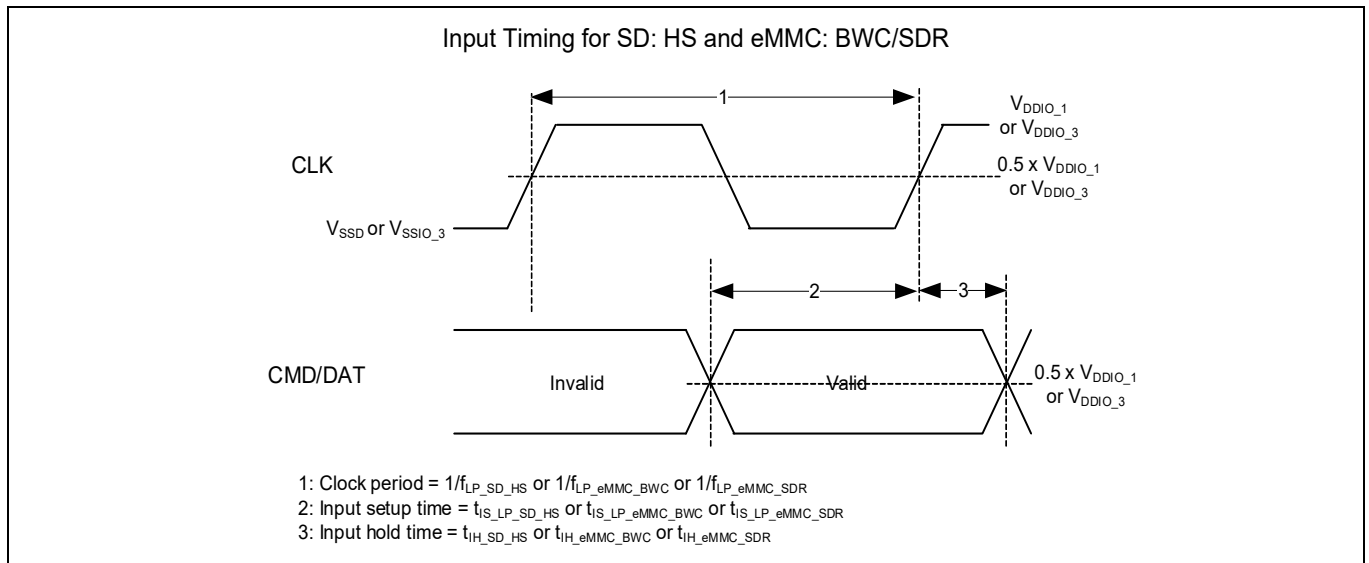


**Figure 26-29 SD default speed input timing**

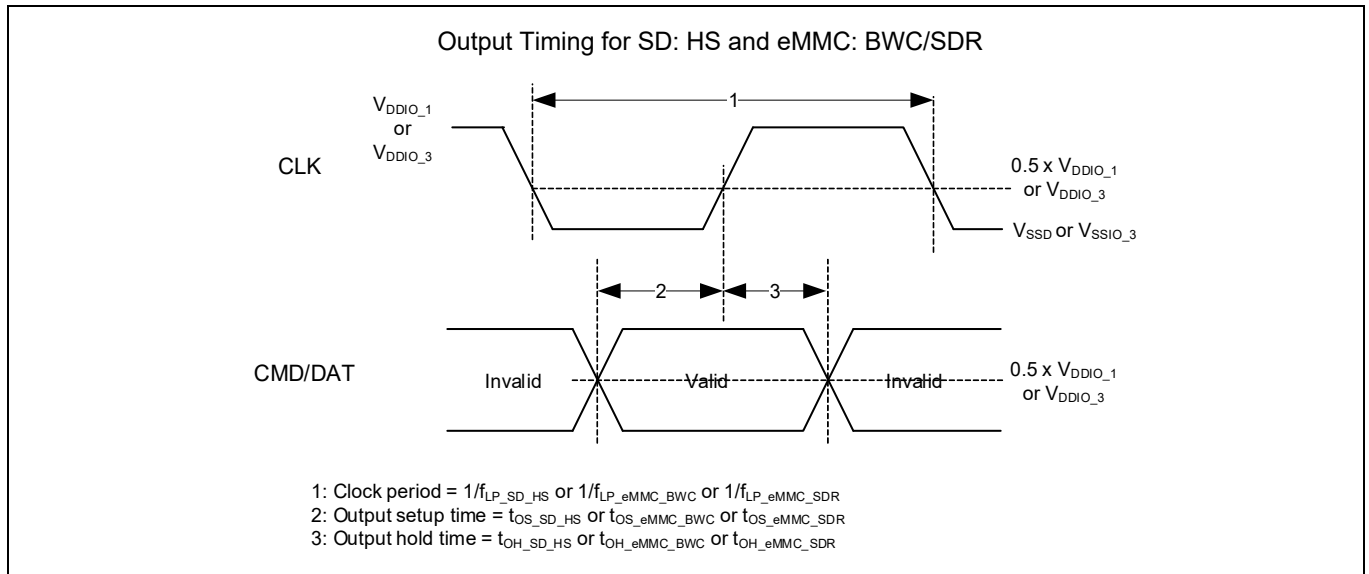




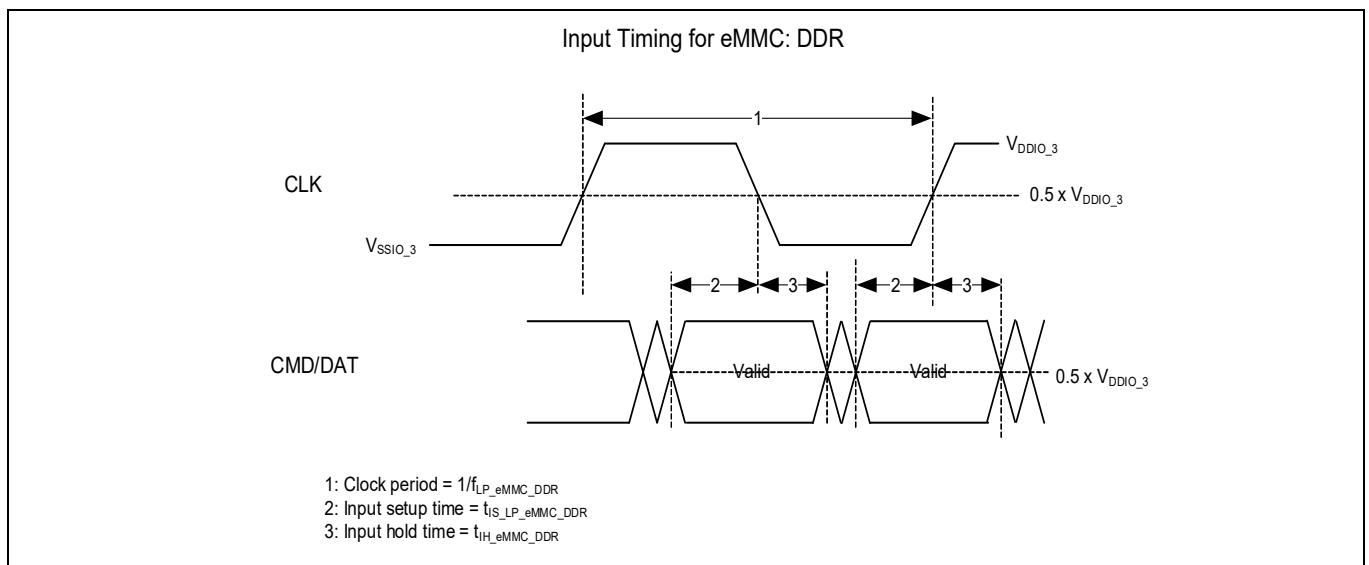
**Figure 26-30 SD default speed output timing**



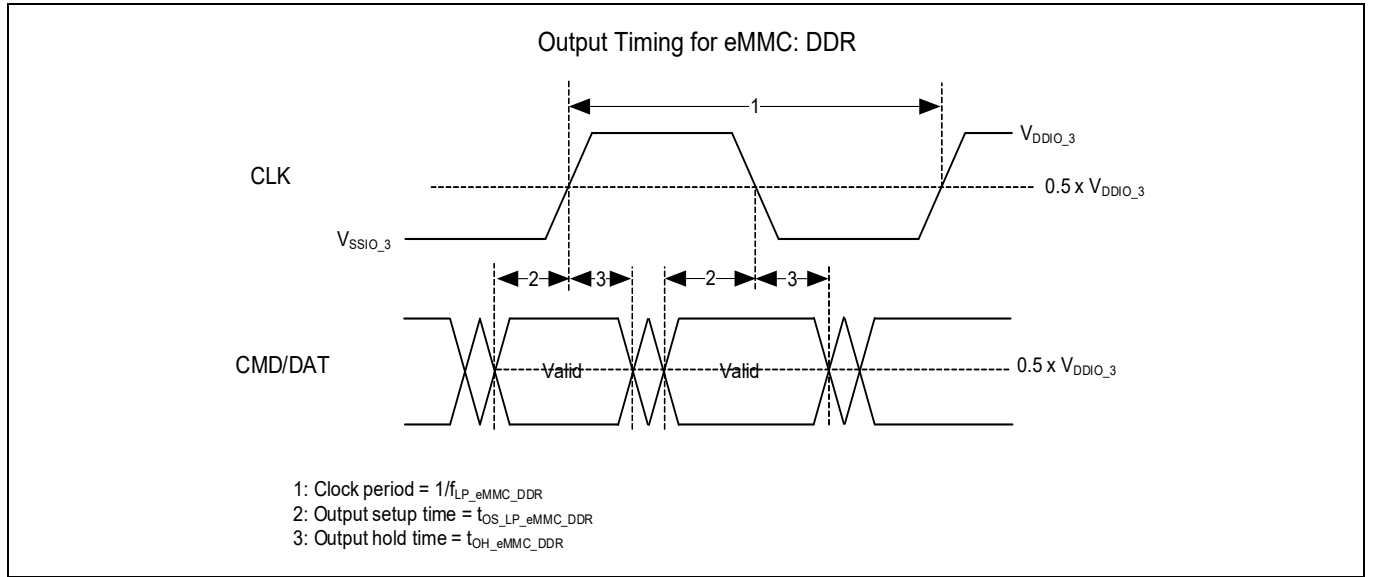
**Figure 26-31 SD high speed and eMMC BWC/SDR input timing**



**Figure 26-32 SD high speed and eMMC BWC/SDR output timing**



**Figure 26-33 eMMC DDR input timing**



**Figure 26-34 eMMC DDR output timing**

## 26.15 Audio subsystem specifications

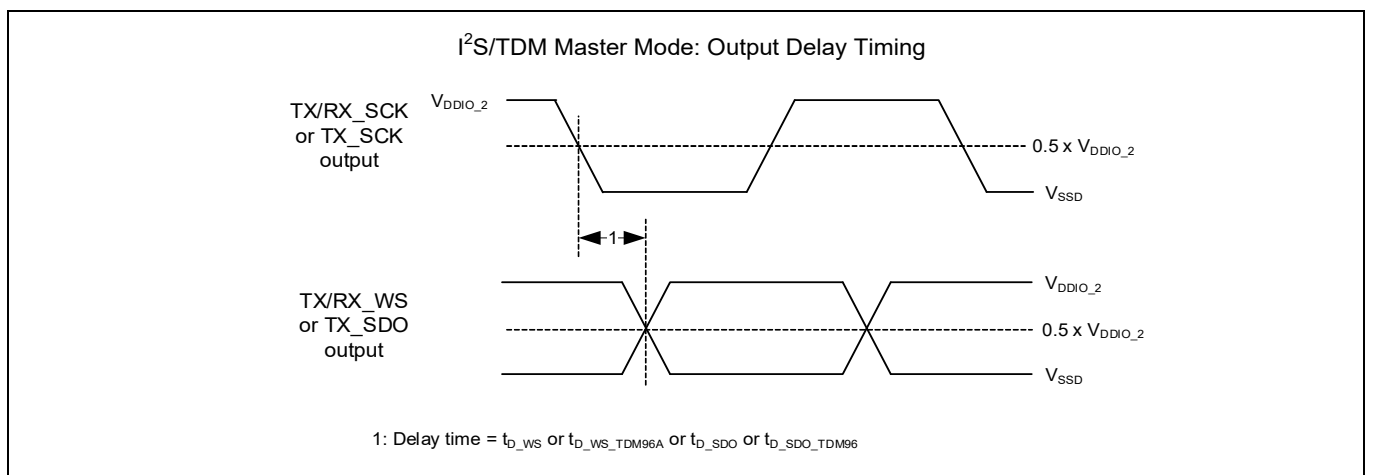
All specifications are valid for  $-40\text{ °C} \leq T_A \leq 125\text{ °C}$  and for 2.7 V to 5.5 V except where noted.

**Table 26-33 Audio subsystem specifications**

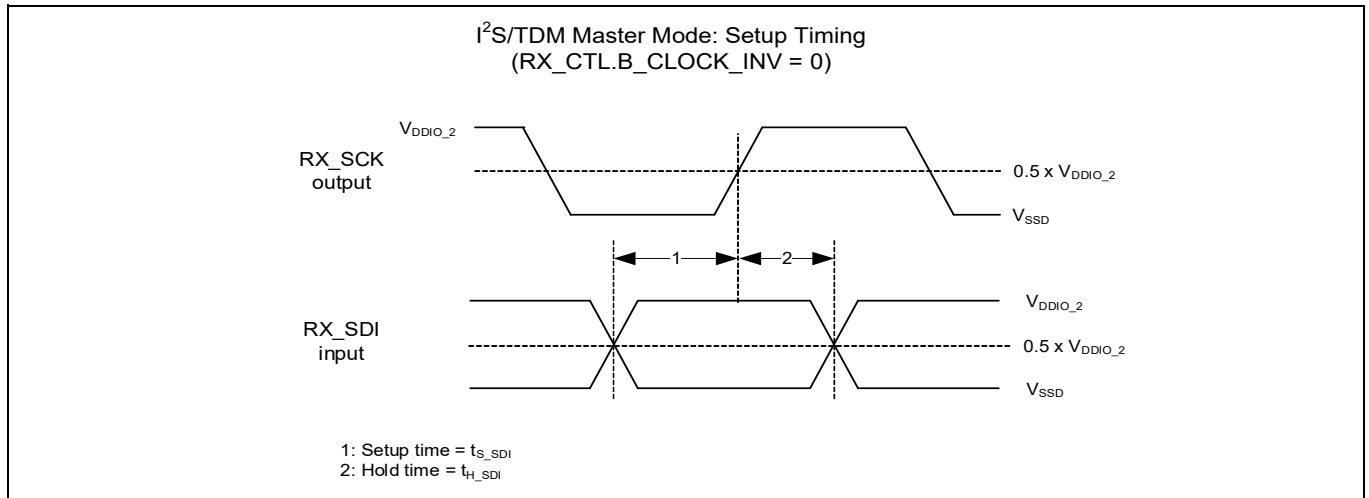
Spec ID	Parameter	Description	Min	Typ	Max	Units	Details/conditions
SID770	$f_{\text{AUDIO}}$	Audio subsystem frequency	-	-	200	MHz	Guaranteed by design
SID772	$V_{\text{AUDIO}}$	Audio subsystem I/O supply voltage	3.0	-	3.6	V	For $V_{\text{DDIO}_2}$
SID773	$V_{\text{OL}_A}$	Output voltage LOW level	-	-	0.4	V	drive_sel<1:0>= 0b0X, Pull-up, pull-down: off
SID774	$V_{\text{OH}_A}$	Output voltage HIGH level	$V_{\text{DDIO}_2} - 0.5$	-	-	V	drive_sel<1:0>= 0b0X, Pull-up, pull-down: off
SID775	$V_{\text{IH\_CMOS}_A}$	Input voltage HIGH threshold in CMOS mode	$0.7 \times V_{\text{DDIO}_2}$	-	-	V	
SID776	$V_{\text{IL\_CMOS}_A}$	Input Voltage LOW threshold in CMOS mode	-	-	$0.3 \times V_{\text{DDIO}_2}$	V	
<b>I<sup>2</sup>S/TDM Word Clock Frequency</b>							
SID796	$f_{\text{WS\_I2S}}$	WS Clock Rate in I <sup>2</sup> S mode	8	-	192	kHz	Guaranteed by design
SID797	$f_{\text{WS\_TDM}}$	WS Clock Rate in TDM mode	-	-	96	kHz	Guaranteed by design
SID798	Word	Length of I <sup>2</sup> S Word	8	-	32	bit	Guaranteed by design
<b>I<sup>2</sup>S/TDM Master Mode</b>							
SID740	$t_{\text{D\_WS}}$	Delay Time of TX/RX_WS Output Transition from Falling Edge of TX/RX_SCK Output	-8	-	9	ns	Except TDM 96 kHz mode, TX/RX_WS output and TX/RX_SCK output with drive_sel<1:0>= 0b01, guaranteed by design
SID740A	$t_{\text{D\_WS\_TDM96A}}$	Delay Time of TX/RX_WS output Transition from Falling Edge of TX/RX_SCK output	-8	-	11	ns	TDM 96 kHz mode, TX/RX_WS output with drive_sel<1:0>= 0b01 and TX/RX_SCK output with drive_sel<1:0>= 0b00, guaranteed by design
SID741	$t_{\text{D\_SDO}}$	Delay Time of TX_SDO Transition from Falling Edge of TX_SCK Output	-8	-	8	ns	TX_SDO and TX_SCK output with drive_sel<1:0>= 0b01 for except TDM 96 kHz mode, guaranteed by design
SID741A	$t_{\text{D\_SDO\_TDM96}}$	Delay Time of TX_SDO Transition from Falling Edge of TX_SCK Output	-8	-	8	ns	TX_SDO with drive_sel<1:0>= 0b01 and TX_SCK output with drive_sel<1:0>= 0b00 for TDM 96 kHz mode, guaranteed by design
SID742	$t_{\text{S\_SDI}}$	RX_SDI Setup Time to the Following Rising Edge of RX_SCK Output (RX_CTL.B_CLOCK_INV = 0)	11	-	-	ns	RX_SCK output with drive_sel<1:0>= 0b00, guaranteed by design
SID743	$t_{\text{H\_SDI}}$	RX_SDI Hold Time to the Rising Edge of RX_SCK Output (RX_CTL.B_CLOCK_INV = 0)	$t_{\text{MCLK\_S OC}} - 0.9$	-	-	ns	RX_SCK output with drive_sel<1:0>= 0b00, guaranteed by design
SID744	$t_{\text{S\_SDI1}}$	RX_SDI Setup Time to the Following Falling Edge of RX_SCK Output (RX_CTL.B_CLOCK_INV = 1)	11	-	-	ns	RX_SCK output with drive_sel<1:0>= 0b00, guaranteed by design
SID745	$t_{\text{H\_SDI1}}$	RX_SDI Hold Time to the Falling Edge of RX_SCK Output (RX_CTL.B_CLOCK_INV = 1)	$t_{\text{MCLK\_S OC}} - 0.9$	-	-	ns	RX_SCK output with drive_sel<1:0>= 0b00, guaranteed by design

**Table 26-33 Audio subsystem specifications (continued)**

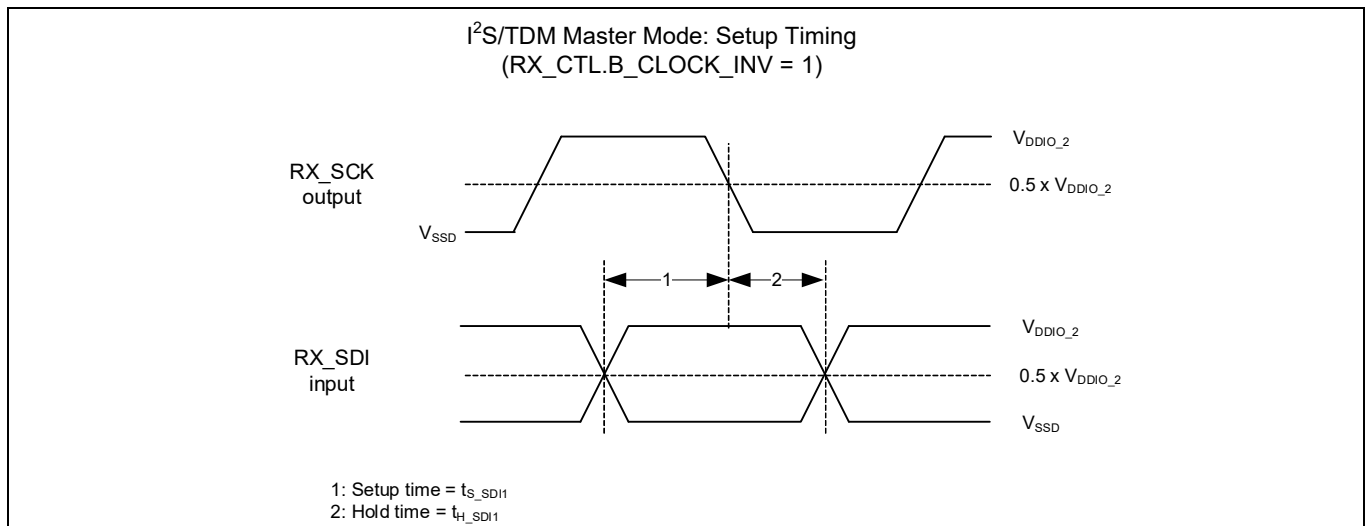
Spec ID	Parameter	Description	Min	Typ	Max	Units	Details/conditions
SID746	t <sub>SCKCY</sub>	TX/RX_SCK Output Bit Clock Duty Cycle	45	-	55	%	Guaranteed by design
SID748	f <sub>MCLK_SOC</sub>	MCLK input clock frequency	1.024	-	196.608	MHz	Internal Fractional PLL, guaranteed by design
SID748A	f <sub>MCLK_SOC_E</sub>	MCLK input clock frequency	1.024	-	98.304	MHz	External clock
SID749	t <sub>MCLK_SOC</sub>	MCLK input clock period	5.086	-	976.563	ns	Guaranteed by design
SID750	t <sub>JITTER</sub>	MCLK Input clock jitter tolerance	-200	-	200	ps	Guaranteed by design
SID748B	f <sub>MCLK</sub>	MCLK output clock frequency	1.024	-	25	MHz	MCLK output with drive_sel<1:0> = 0b00 Guaranteed by design
SID748C	f <sub>MCLK1</sub>	MCLK output clock frequency	1.024	-	15	MHz	MCLK output with drive_sel<1:0> = 0b01 Guaranteed by design
SID749B	f <sub>MCLK_DT</sub>	MCLK output clock duty	45	-	55	%	Guaranteed by design
<b>I<sup>2</sup>S/TDM Slave Mode</b>							
SID751	t <sub>S_WS</sub>	TX/RX_WS Input Alignment Clock Setup Time to the following Rising Edge of TX/RX_SCK Input	5	-	-	ns	Guaranteed by design
SID752	t <sub>H_WS</sub>	TX/RX_WS Input Alignment Clock Hold Time to the Rising Edge of TX/RX_SCK Input	t <sub>MCLK_SOC</sub> + 5.0	-	-	ns	Guaranteed by design
SID753	t <sub>D_SDO</sub>	Delay Time of TX_SDO Transition from Falling Edge of TX_SCK Input (TX_CTL.B_CLOCK_INV = 0)	-	-	t <sub>MCLK_SOC</sub> + 15	ns	TX_SDO with drive_sel<1:0> = 0b00, guaranteed by design
SID754	t <sub>D_SDO1</sub>	Delay Time of TX_SDO Transition from Rising Edge of TX_SCK Input (TX_CTL.B_CLOCK_INV = 1)	-	-	t <sub>MCLK_SOC</sub> + 15	ns	TX_SDO with drive_sel<1:0> = 0b00, guaranteed by design
SID755	t <sub>S_SDI</sub>	RX_SDI Setup Time to the Following Rising Edge of RX_SCK Input	5	-	-	ns	Guaranteed by design
SID756	t <sub>H_SDI</sub>	RX_SDI Hold Time to the Rising Edge of RX_SCK Input	t <sub>MCLK_SOC</sub> + 5.0	-	-	ns	Guaranteed by design
SID757	t <sub>SCKCY</sub>	TX/RX_SCK Input Bit Clock Duty Cycle	45	-	55	%	Guaranteed by design



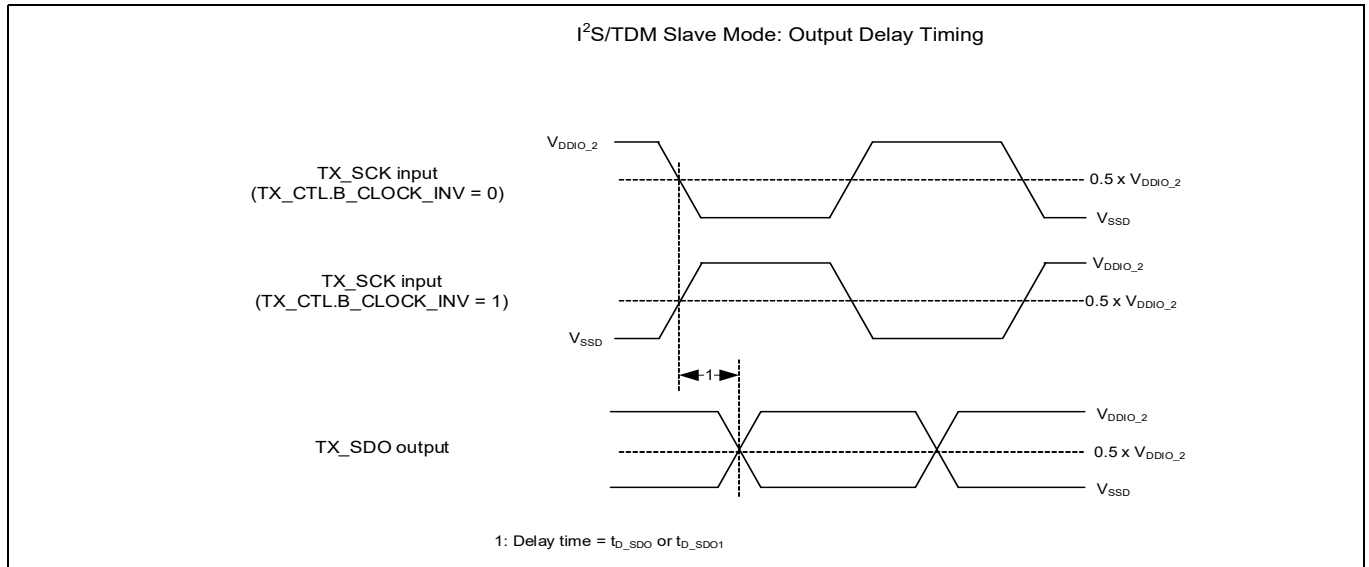
**Figure 26-35 Master output delay**



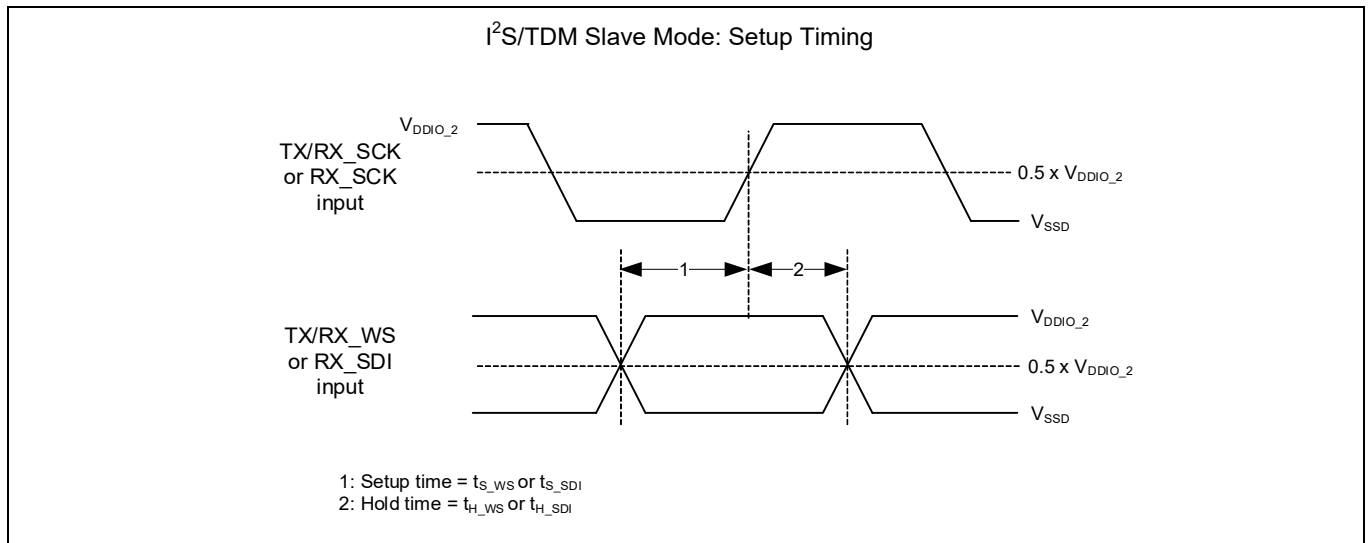
**Figure 26-36 Master setup without clock inversion**



**Figure 26-37 Master setup with clock inversion**



**Figure 26-38 Slave output delay**



**Figure 26-39 Slave setup**

## 26.16 Serial memory interface specifications

All specifications are valid for  $-40\text{ °C} \leq T_A \leq 125\text{ °C}$  and for 2.7 V to 5.5 V except where noted.

**Table 26-34 SMIF specifications [Conditions: drive\_sel<1:0>= 00]**

Spec ID	Parameter	Description	Min	Typ	Max	Units	Details/conditions
<b>SMIF DC Specification</b>							
SID785	V <sub>SMIF</sub>	SMIF I/O supply voltage	2.7	-	3.6	V	For V <sub>DDIO_1</sub> or V <sub>DDIO_3</sub>
<b>SMIF HSSPI(SDR) Specification for HSIO_STD</b>							
SID760	C <sub>L_SDR_HSIO</sub>	Load capacitance	-	-	30	pF	
SID761	SR <sub>SDR_HSIO</sub>	Input rise and fall slew rates	1.5	-	-	V/ns	Guaranteed by design
SID762	f <sub>CK_SDR_HSIO</sub>	Clock frequency	-	-	100	MHz	
SID763	t <sub>CK_SDR_HSIO</sub>	Clock period	$1 / f_{CK\_S-DR\_HSIO}$	-	-	ns	
SID764	DCK <sub>SDR_HSIO</sub>	Clock duty	45	-	55	%	
SID765	CSR <sub>SDR_HSIO</sub>	Clock rise and fall slew rates	1.5	-	-	V/ns	
SID766	t <sub>CS_SDR_HSIO</sub>	Chip select HIGH time	10	-	-	ns	
SID767	t <sub>CSS_SDR_HSIO</sub>	Chip select active setup time	3	-	-	ns	
SID768	t <sub>CSH_SDR_HSIO</sub>	Chip select active hold time	5	-	-	ns	
SID769	t <sub>SU_SDR_HSIO</sub>	Data setup time	1.5	-	-	ns	
SID780	t <sub>HD_SDR_HSIO</sub>	Data hold time	2	-	-	ns	
SID781	t <sub>V_SDR_HSIO</sub>	Clock LOW output valid	1.5	-	7.65	ns	
SID782	t <sub>HO_SDR_HSIO</sub>	Input hold time	2	-	-	ns	
SID783	t <sub>DIS_SDR_HSIO</sub>	Input disable time	0	-	7.5	ns	
SID784	t <sub>IO_SKEW_S-DR_HSIO</sub>	Data skew (first data bit to last data bit)	-	-	0.6	ns	Guaranteed by design
<b>SMIF HSSPI(SDR) Specification for GPIO_STD</b>							
SID760A	C <sub>L_SDR_GPIO</sub>	Load capacitance	-	-	30	pF	
SID761A	SR <sub>SDR_GPIO</sub>	Input rise and fall slew rates	1	-	-	V/ns	Guaranteed by design
SID762A	f <sub>CK_SDR_GPIO</sub>	Clock frequency	-	-	32	MHz	
SID763A	t <sub>CK_SDR_GPIO</sub>	Clock period	$1 / f_{CK\_S-DR\_GPIO}$	-	-	ns	
SID764A	DCK <sub>SDR_GPIO</sub>	Clock duty	45	-	55	%	
SID765A	CSR <sub>SDR_GPIO</sub>	Clock rise and fall slew rates	1	-	-	V/ns	
SID766A	t <sub>CS_SDR_GPIO</sub>	Chip select HIGH time	30	-	-	ns	
SID767A	t <sub>CSS_SDR_GPIO</sub>	Chip select active setup time	9	-	-	ns	
SID768A	t <sub>CSH_SDR_GPIO</sub>	Chip select active hold time	15	-	-	ns	
SID769A	t <sub>SU_SDR_GPIO</sub>	Data setup time	4.5	-	-	ns	
SID780A	t <sub>HD_SDR_GPIO</sub>	Data hold time	6	-	-	ns	
SID781A	t <sub>V_SDR_GPIO</sub>	Clock LOW output valid	4.5	-	9	ns	
SID782A	t <sub>HO_SDR_GPIO</sub>	Input hold time	2	-	-	ns	
SID783A	t <sub>DIS_SDR_GPIO</sub>	Input disable time	0	-	22.5	ns	



Electrical specifications

**Table 26-34 SMIF specifications (continued)[Conditions: drive\_sel<1:0>= 00]**

Spec ID	Parameter	Description	Min	Typ	Max	Units	Details/conditions
SID784A	t <sub>IO_SKEW_S-DR_GPIO</sub>	Data skew (first data bit to last data bit)	-	-	1.8	ns	Guaranteed by design
<b>SMIF HSSPI(DDR) Specification for HSIO_STD</b>							
SID760B	C <sub>L_DDR_HSIO</sub>	Load capacitance	-	-	15	pF	
SID761B	SR <sub>DDR_HSIO</sub>	Input rise and fall slew rates	1.5	-	-	V/ns	Guaranteed by design
SID762B2	f <sub>CK_DDR_HSIO</sub>	Clock frequency	-	-	90	MHz	
SID763B	t <sub>CK_DDR_HSIO</sub>	Clock period	1 / f <sub>CK_D-DR_HSIO</sub>	-	-	ns	
SID764B	DCK <sub>D-DR_HSIO</sub>	Clock duty	45	-	55	%	
SID765B	CSR <sub>DDR_HSIO</sub>	Clock rise and fall slew rates	1.5	-	-	V/ns	
SID766B	t <sub>CS_DDR_HSIO</sub>	Chip select HIGH time	10	-	-	ns	
SID767B	t <sub>CSS_DDR_HSIO</sub>	Chip select active setup time	4	-	-	ns	
SID768B	t <sub>CSSH_DDR_HSIO</sub>	Chip select active hold time	4	-	-	ns	
SID769B	t <sub>SU_DDR_HSIO</sub>	Data setup time	2	-	-	ns	
SID780B	t <sub>HD_DDR_HSIO</sub>	Data hold time	1.2	-	-	ns	
SID781B	t <sub>V_DDR_HSIO</sub>	Clock LOW output valid	0	-	6.5	ns	
SID782B	t <sub>HO_DDR_HSIO</sub>	Input hold time	1	-	-	ns	
SID783B	t <sub>DIS_DDR_HSIO</sub>	Input disable time	-	-	7.5	ns	
SID784B	t <sub>IO_SKEW_D-DR_HSIO</sub>	Data skew (first data bit to last data bit)	-	-	0.6	ns	Guaranteed by design
<b>SMIF HSSPI(DDR) Specification for GPIO_STD</b>							
SID760C	C <sub>L_DDR_GPIO</sub>	Load capacitance	-	-	15	pF	
SID761C	SR <sub>DDR_GPIO</sub>	Input rise and fall slew rates	1	-	-	V/ns	Guaranteed by design
SID762C	f <sub>CK_DDR_GPIO</sub>	Clock frequency	-	-	32	MHz	
SID763C	t <sub>CK_DDR_GPIO</sub>	Clock period	1 / f <sub>CK_D-DR_GPIO</sub>	-	-	ns	
SID764C	DCK <sub>D-DR_GPIO</sub>	Clock duty	45	-	55	%	
SID765C	CSR <sub>DDR_GPIO</sub>	Clock rise and fall slew rates	1	-	-	V/ns	
SID766C	t <sub>CS_DDR_GPIO</sub>	Chip select HIGH time	30	-	-	ns	
SID767C	t <sub>CSS_DDR_GPIO</sub>	Chip select active setup time	5	-	-	ns	
SID768C	t <sub>CSSH_DDR_GPIO</sub>	Chip select active hold time	4	-	-	ns	
SID769C	t <sub>SU_DDR_GPIO</sub>	Data setup time	5	-	-	ns	
SID780C	t <sub>HD_DDR_GPIO</sub>	Data hold time	4.5	-	-	ns	
SID781C	t <sub>V_DDR_GPIO</sub>	Clock LOW output valid	0	-	9	ns	
SID782C	t <sub>HO_DDR_GPIO</sub>	Input hold time	3	-	-	ns	
SID783C	t <sub>DIS_DDR_GPIO</sub>	Input disable time	-	-	22.5	ns	
SID784C	t <sub>IO_SKEW_D-DR_GPIO</sub>	Data skew (first data bit to last data bit)	-	-	1.8	ns	Guaranteed by design

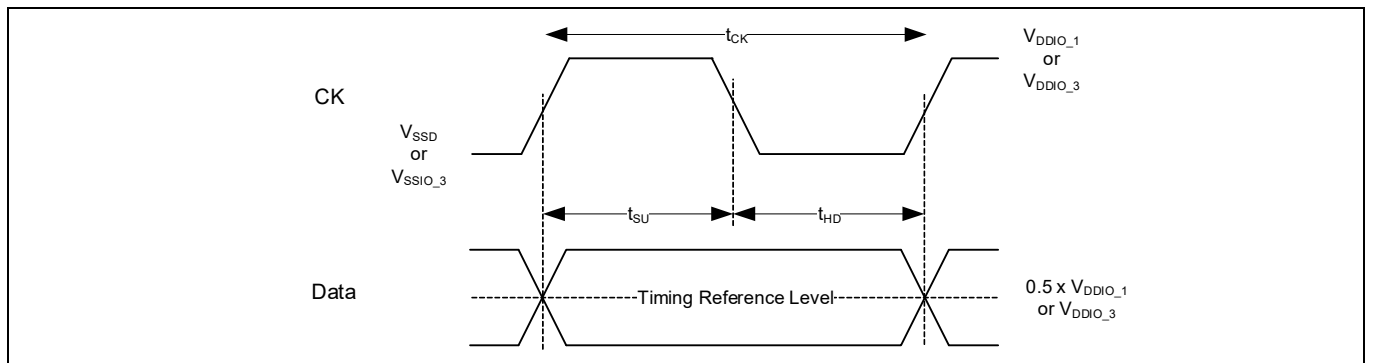
## Electrical specifications

**Table 26-34 SMIF specifications (continued)[Conditions: drive\_sel<1:0>= 00]**

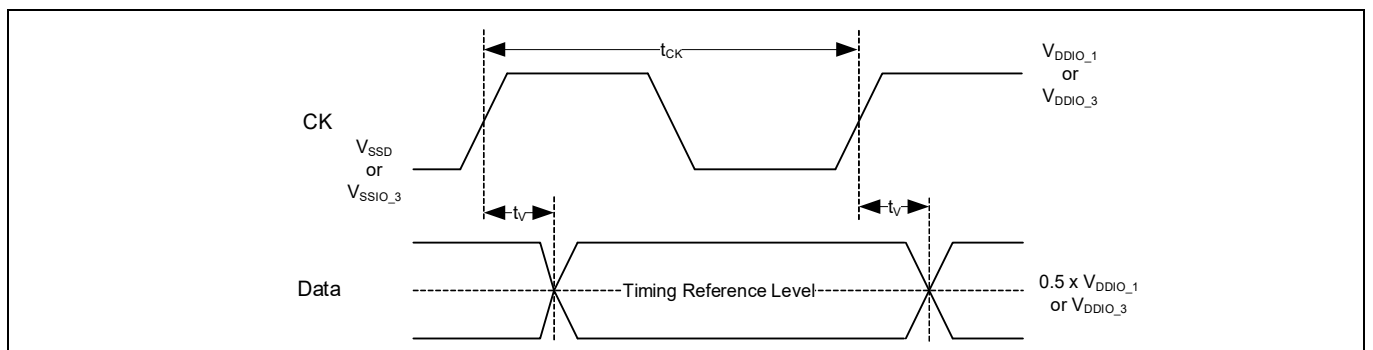
Spec ID	Parameter	Description	Min	Typ	Max	Units	Details/conditions
<b>SMIF HYPERBUS™ Specification for HSIO_STD</b>							
SID785	C <sub>L_HB_HSIO</sub>	Load capacitance	-	-	20	pF	
SID786	SRI <sub>_HB_HSIO</sub>	Input rise and fall slew rates	1	-	-	V/ns	For all signals, Guaranteed by design
SID787	SRO <sub>_HB_HSIO</sub>	Output rise and fall slew rates	1	-	-	V/ns	For all signals
<b>Clock characteristics</b>							
SID700	f <sub>CK_HB_HSIO</sub>	Clock frequency	-	-	100	MHz	
SID701	t <sub>CK_HB_HSIO</sub>	Clock period	1 / f <sub>CK_H-B_HSIO</sub>	-	-	ns	
SID702	DCK <sub>_HB_HSIO</sub>	Clock duty	45	-	55	%	
<b>AC Parameters</b>							
SID706	t <sub>C<sub>SHI</sub>_HB_HSIO</sub>	Chip select HIGH between transactions	10	-	-	ns	Guaranteed by design
SID708	t <sub>C<sub>SS</sub>_HB_HSIO</sub>	Chip select setup to next CK rising edge	3	-	-	ns	
SID709	t <sub>D<sub>SV</sub>_HB_HSIO</sub>	Data strobe valid	-	-	12	ns	
SID710	t <sub>O<sub>SU</sub>_HB_HSIO</sub>	DQ output setup	1	-	-	ns	
SID711	t <sub>O<sub>H</sub>_HB_HSIO</sub>	DQ output hold	1	-	-	ns	
SID715	t <sub>C<sub>KD</sub>_HB_HSIO</sub>	CK transition to DQ valid	1	-	5.5	ns	
SID718	t <sub>C<sub>KDS</sub>_HB_HSIO</sub>	CK transition to RWDS valid	1	-	5.5	ns	
SID719	t <sub>D<sub>SS</sub>_HB_HSIO</sub>	RWDS transition to input DQ valid	-0.8	-	0.8	ns	
SID720	t <sub>D<sub>SH</sub>_HB_HSIO</sub>	Input DQ invalid to RWDS transition	-0.8	-	0.8	ns	
SID721	t <sub>C<sub>SH</sub>_HB_HSIO</sub>	Chip select hold after CK falling edge	0	-	-	ns	
<b>SMIF HYPERBUS™ Specification for GPIO_STD</b>							
SID785A	C <sub>L_HB_GPIO</sub>	Load capacitance	-	-	20	pF	
SID786A	SRI <sub>_HB_GPIO</sub>	Input rise and fall slew rates	0.45	-	-	V/ns	For all signals, guaranteed by design
SID787A	SRO <sub>_HB_GPIO</sub>	Output rise and fall slew rates	0.45	-	-	V/ns	For all signals
<b>Clock characteristics</b>							
SID700A	f <sub>CK_HB_GPIO</sub>	Clock frequency	-	-	32	MHz	
SID701A	t <sub>CK_HB_GPIO</sub>	Clock period	1 / f <sub>CK_H-B_GPIO</sub>	-	-	ns	
SID702A	DCK <sub>_HB_GPIO</sub>	Clock duty	45	-	55	%	
<b>AC Parameters</b>							
SID706A	t <sub>C<sub>SHI</sub>_HB_GPIO</sub>	Chip select HIGH between transactions	30	-	-	ns	Guaranteed by design

**Table 26-34 SMIF specifications (continued)[Conditions: drive\_sel<1:0>= 00]**

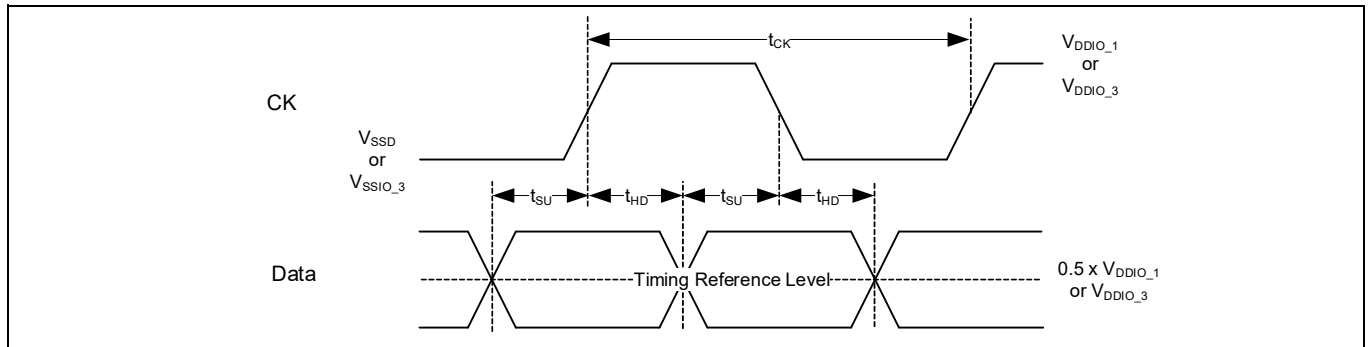
Spec ID	Parameter	Description	Min	Typ	Max	Units	Details/conditions
SID708A	$t_{CSS\_HB\_GPIO}$	Chip select setup to next CK rising edge	9	-	-	ns	
SID709A	$t_{DSV\_HB\_GPIO}$	Data strobe valid	-	-	36	ns	Guaranteed by design
SID710A	$t_{OSU\_HB\_GPIO}$	DQ output setup	3	-	-	ns	
SID711A	$t_{OH\_HB\_GPIO}$	DQ output hold	3	-	-	ns	
SID715A	$t_{CKD\_HB\_GPIO}$	CK transition to DQ valid	3	-	16.5	ns	
SID718A	$t_{CKDS\_HB\_GPIO}$	CK transition to RWDS valid	3	-	16.5	ns	
SID719A	$t_{DSS\_HB\_GPIO}$	RWDS transition to input DQ valid	-2.4	-	2.4	ns	
SID720A	$t_{DSH\_HB\_GPIO}$	Input DQ invalid to RWDS transition	-2.4	-	2.4	ns	
SID721A	$t_{CSH\_HB\_GPIO}$	Chip select hold after CK falling edge	0	-	-	ns	



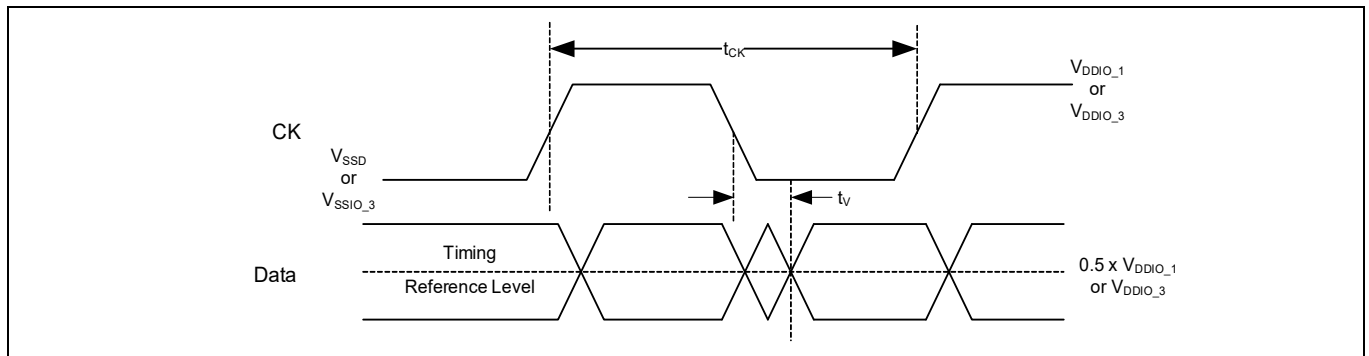
**Figure 26-40 SDR write timing reference level**



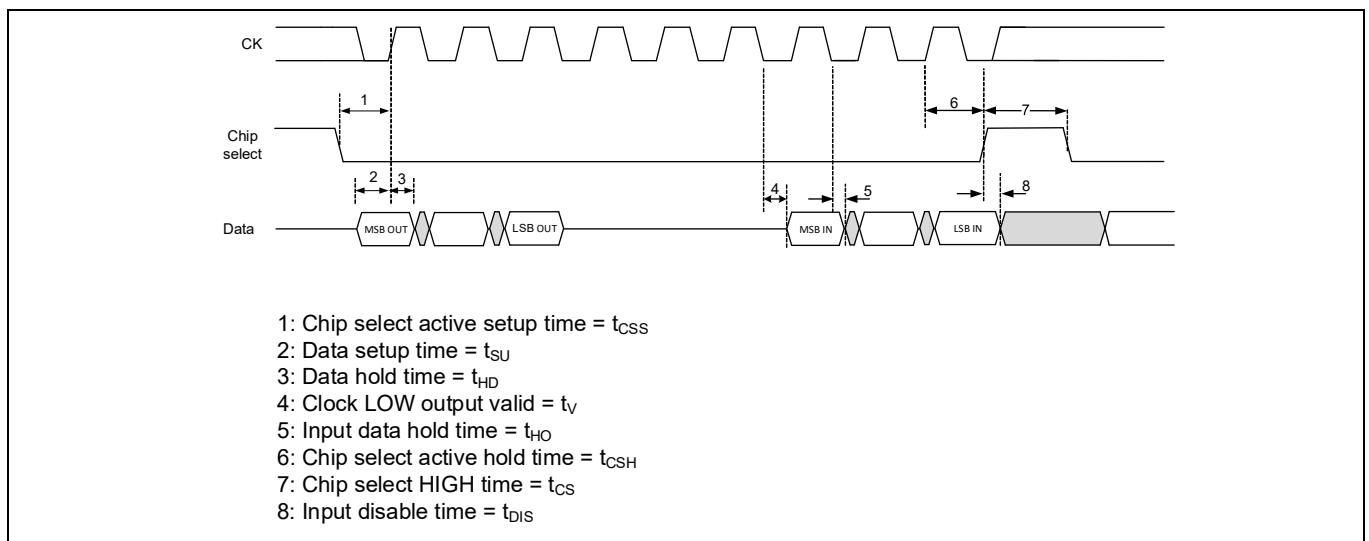
**Figure 26-41 SDR read timing reference level**



**Figure 26-42 DDR write timing reference level**

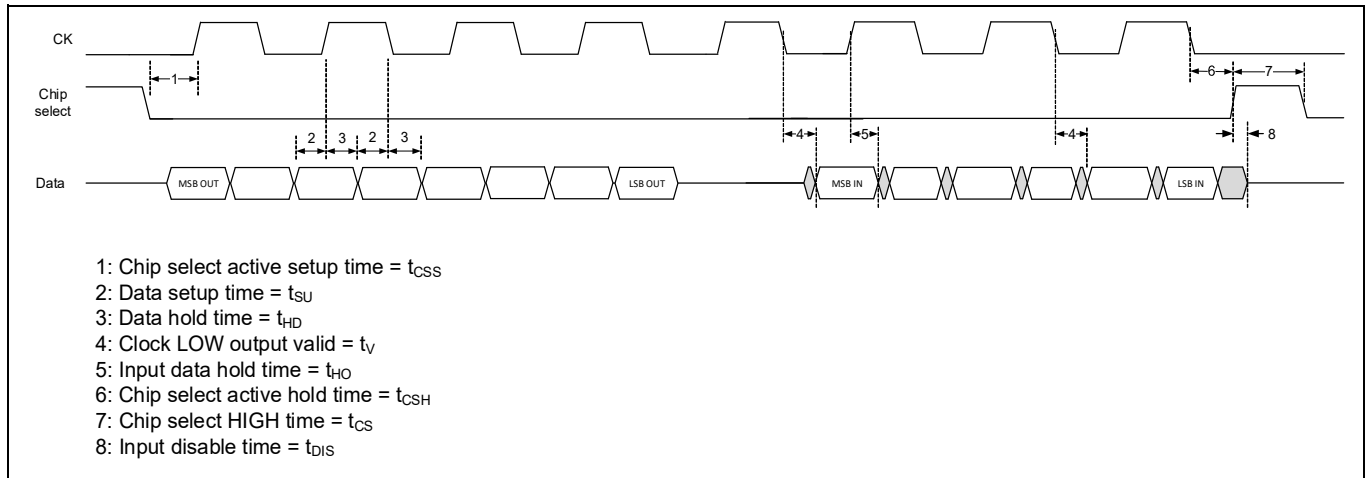


**Figure 26-43 DDR read timing reference level**

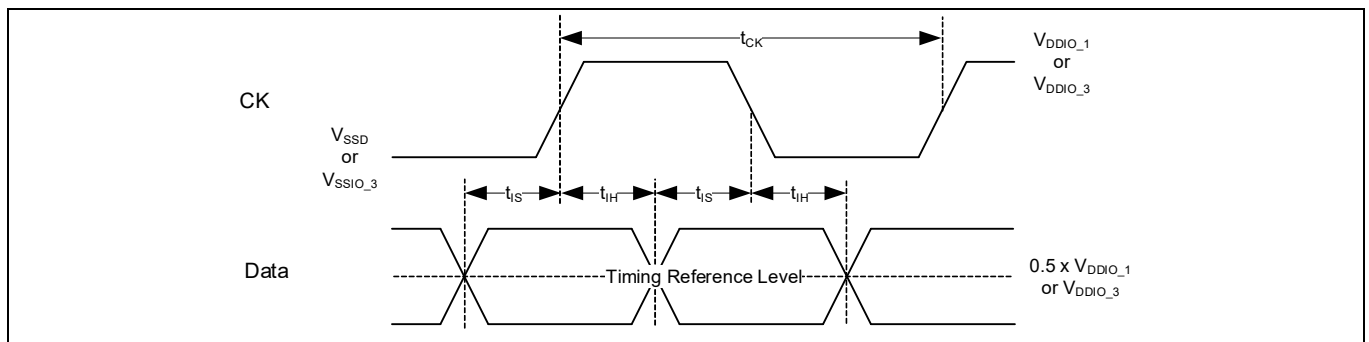


**Figure 26-44 SDR write and read timing diagram**

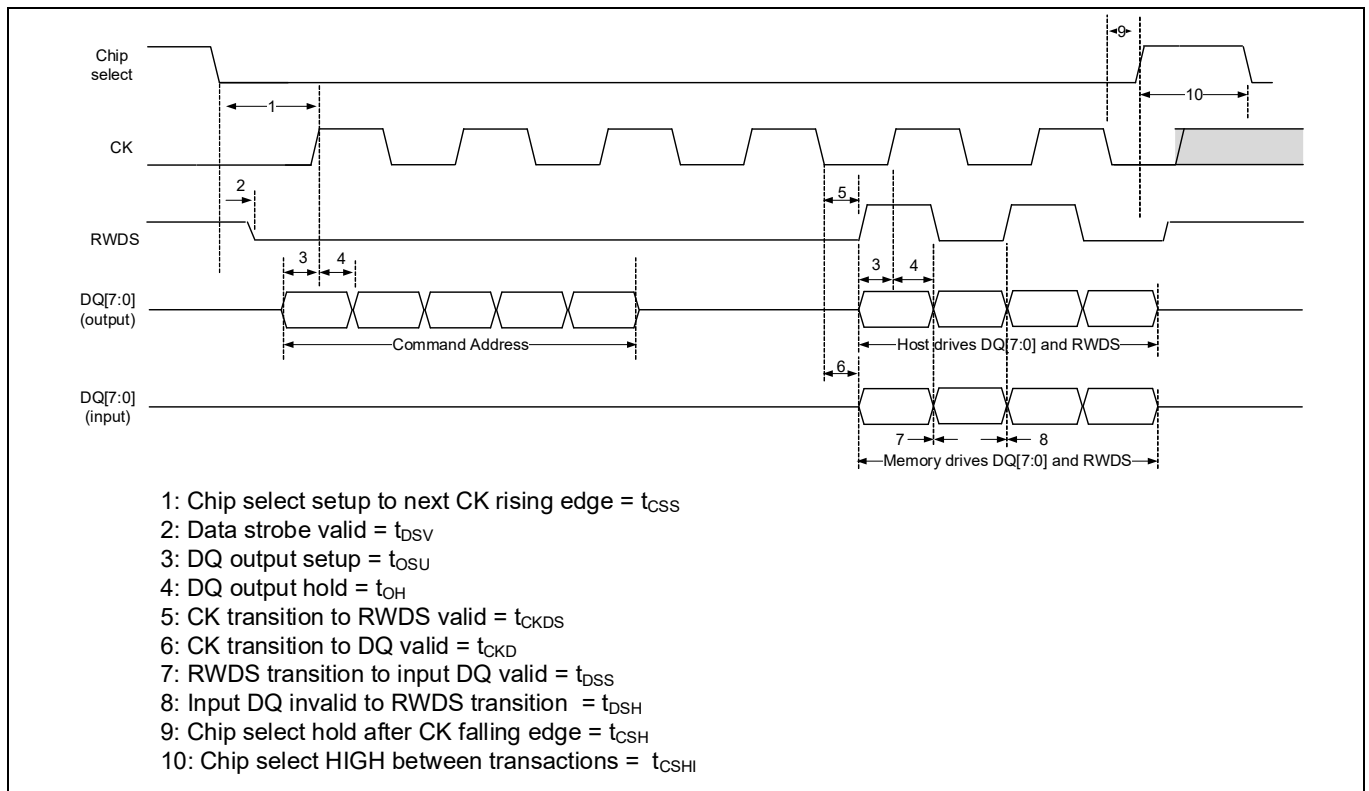
Electrical specifications



**Figure 26-45 DDR write and read timing diagram**



**Figure 26-46 HYPERBUS™ timing reference level**



**Figure 26-47 HYPERBUS™ timing diagram**

## 27 Ordering information

The CYT3BB/4BB microcontroller part numbers and features are listed in [Table 27-1](#). The Arm® TAP JTAG ID is 0x6BA0 0477.

**Table 27-1** CYT3BB/4BB Ordering information

Device Code	Ordering Code <sup>[76]</sup>	Package	CM7 Cores	Code-flash (KB)	Work-flash (KB)	RAM (KB)	ADC Channels	SCB Channels	LIN Channels	I <sup>2</sup> S Channels	Ethernet Channels	SD/eMMC	Temperature Grade	JTAG ID Code
CYT3BB5CES	CYT3BB5CEBQ0AESGS	100-TEQFP	1	4160 <sup>[77]</sup>	256 <sup>[78]</sup>	768	39	9	9	2	1	1	S <sup>[79]</sup>	0x1E919069 <sup>[82]</sup>
CYT3BB5CEE	CYT3BB5CEBQ0AEEGS	100-TEQFP	1	4160	256	768	39	9	9	2	1	1	E <sup>[80]</sup>	0x1E919069
CYT3BB7CES	CYT3BB7CEBQ0AESGS	144-TEQFP	1	4160	256	768	54	10	12	3	1	1	S	0x1E91A069
CYT3BB7CEE	CYT3BB7CEBQ0AEEGS	144-TEQFP	1	4160	256	768	54	10	12	3	1	1	E	0x1E91A069
CYT3BB8CES	CYT3BB8CEBQ0AESGS	176-TEQFP	1	4160	256	768	64	10	16	3	1	1	S	0x1E91B069
CYT3BB8CEE	CYT3BB8CEBQ0AEEGS	176-TEQFP	1	4160	256	768	64	10	16	3	1	1	E	0x1E91B069
CYT3BBBCES	CYT3BBBCQBZSGS	272-BGA	1	4160	256	768	72	11	16	3	1	1	S	0x1E91C069
CYT3BBBCEE	CYT3BBBCQBZEGS	272-BGA	1	4160	256	768	72	11	16	3	1	1	E	0x1E91C069
CYT4BB5CES	CYT4BB5CEBQ0AESGS	100-TEQFP	2	4160	256	768	39	9	9	2	1	1	S	0x1E91D069
CYT4BB5CEE <sup>[81]</sup>	CYT4BB5CEBQ0AEEGS	100-TEQFP	2	4160	256	768	39	9	9	2	1	1	E	0x1E91D069
CYT4BB7CES	CYT4BB7CEBQ0AESGS	144-TEQFP	2	4160	256	768	54	10	12	3	1	1	S	0x1E91E069
CYT4BB7CEE <sup>[81]</sup>	CYT4BB7CEBQ0AEEGS	144-TEQFP	2	4160	256	768	54	10	12	3	1	1	E	0x1E91E069
CYT4BB8CES	CYT4BB8CEBQ0AESGS	176-TEQFP	2	4160	256	768	64	10	16	3	1	1	S	0x1E91F069
CYT4BB8CEE <sup>[81]</sup>	CYT4BB8CEBQ0AEEGS	176-TEQFP	2	4160	256	768	64	10	16	3	1	1	E	0x1E91F069
CYT4BBBCES	CYT4BBBCQBZSGS	272-BGA	2	4160	256	768	72	11	16	3	1	1	S	0x1E920069
CYT4BBBCEE <sup>[81]</sup>	CYT4BBBCQBZEGS	272-BGA	2	4160	256	768	72	11	16	3	1	1	E	0x1E920069

### Notes

76. Supported shipment types are “Tray” (default) and “Tape and Reel”. Add the character ‘T’ at the end to get the ordering code for “Tape and Reel” shipment type.
77. Code-flash size 4160 KB = 32 KB × 126 (Large Sectors) + 8 KB × 16 (Small Sectors).
78. Work-flash size 256 KB = 2 KB × 96 (Large Sectors) + 128 B × 512 (Small Sectors).
79. S-grade Temperature (–40 °C to 105 °C).
80. E-grade Temperature (–40 °C to 125 °C).
81. These parts are available as engineering samples.
82. JTAG ID CODE bits 12 through 27, represents the Silicon ID of the device.

Ordering information

## 27.1 Part number nomenclature

**Table 27-2 Device code nomenclature**

Field	Description	Value	Meaning
CY	Cypress Prefix	CY	
T	Category	T	TRAVEO™
2	Family Name	3	TRAVEO™ T2G (Core M7 Single)
		4	TRAVEO™ T2G (Core M7 dual)
B	Application	B	Body
D	Code-flash/Work-flash/SRAM quantity	B	4160 KB / 256 KB / 768 KB
P	Packages	B	272-BGA
		8	176-TEQFP
		7	144-TEQFP
		5	100-TEQFP
H	Hardware Option	C	eSHE – on, HSM – on, RSA - 2K
I	Marketing Option	E	Ethernet - 1 ch, eMMC - on
C	Temperature Grade	S	S-grade (–40 °C to 105 °C)
		E	E-grade (–40 °C to 125 °C)



Ordering information

**Table 27-3 Ordering code nomenclature**

Field	Description	Value	Meaning
CY	Cypress Prefix	CY	
T	Category	T	TRAVEO™
2	Family Name	3	TRAVEO™ T2G (Core M7 Single)
		4	TRAVEO™ T2G (Core M7 dual)
B	Application	B	Body
D	Code-flash/Work-flash/SRAM quantity	B	4160 KB / 256 KB / 768 KB
P	Packages	B	272-BGA
		8	176-TEQFP
		7	144-TEQFP
		5	100-TEQFP
H	Hardware Option	C	eSHE – on, HSM – on, RSA - 2K
I	Marketing Option	E	Ethernet - 1 ch, eMMC - on
R	Revision	A	First revision
		B	Second revision
F	Fab Location	Q	UMC (Fab 12i) Singapore
X	Reserved	0	Reserved
K	Package Code	AE	TEQFP
		BZ	BGA
C	Temperature Grade	S	S-grade (-40 °C to 105 °C)
		E	E-grade (-40 °C to 125 °C)
Q	Quality Grade	ES	Engineering samples
		GS	Standard grade of automotive
S	Shipment Type	Blank	Tray shipment
		T	Tape and Reel shipment

## 28 Packaging

 CYT3BB/4BB microcontroller is offered in the packages listed in the [Table 28-1](#).

**Table 28-1 Package information**

Package	Dimensions <sup>[83]</sup>	Contact/Lead pitch	Coefficient of thermal expansion	I/O pins
272-BGA	16 × 16 × 1.70 mm (max)	0.8-mm	a1 <sup>[84]</sup> = 6 ppm/°C, a2 <sup>[85]</sup> = 25 ppm/°C	220
176-TEQFP	24 × 24 × 1.60 mm (max)	0.5-mm	a1 = 9.5 ppm/°C, a2 = 37 ppm/°C	148
144-TEQFP	20 × 20 × 1.60 mm (max)	0.5-mm	a1 = 9.5 ppm/°C, a2 = 36.7 ppm/°C	116
100-TEQFP	14 × 14 × 1.60 mm (max)	0.5-mm	a1 = 9.4 ppm/°C, a2 = 36 ppm/°C	72

**Table 28-2 Package characteristics**

Parameter	Description	Conditions	Min	Typ	Max	Units
T <sub>A</sub>	Operating ambient temperature	S-grade	-40	-	105	°C
T <sub>A</sub>	Operating ambient temperature	E-grade	-40	-	125	°C
T <sub>J</sub>	Operating junction temperature	-	-	-	150	°C
R <sub>θJA</sub>	Package thermal resistance, junction to ambient θ <sub>JA</sub> <sup>[86, 87]</sup>	272-BGA	-	-	21.6	°C/W
		176-TEQFP	-	-	17.8	°C/W
		144-TEQFP	-	-	17.4	°C/W
		100-TEQFP	-	-	18.3	°C/W
R <sub>θJB</sub>	Package θ <sub>JB</sub>	272-BGA	-	-	12.8	°C/W
		176-TEQFP	-	-	13.0	°C/W
		144-TEQFP	-	-	12.3	°C/W
		100-TEQFP	-	-	10.4	°C/W
R <sub>θJC</sub>	Package thermal resistance, junction to case θ <sub>JC</sub>	272-BGA	-	-	10.4	°C/W
		176-TEQFP	-	-	8.0	°C/W
		144-TEQFP	-	-	8.1	°C/W
		100-TEQFP	-	-	8.5	°C/W

**Table 28-3 Solder reflow peak temperature, package moisture sensitivity level (MSL), IPC/JEDEC J-STD-2**

Package	Maximum peak temperature (°C)	Maximum time at peak temperature (seconds)	MSL
272-BGA	260	30	3
176-TEQFP	260	30	3
144-TEQFP	260	30	3
100-TEQFP	260	30	3

**Notes**

83.The dimensions (column 2) are valid for room temperature.

 84.a1 = CTE (Coefficient of Thermal Expansion) value below T<sub>g</sub> (ppm/°C) (T<sub>g</sub> is glass transition temperature which is 131°C).

 85.a2 = CTE value above T<sub>g</sub> (ppm/°C).

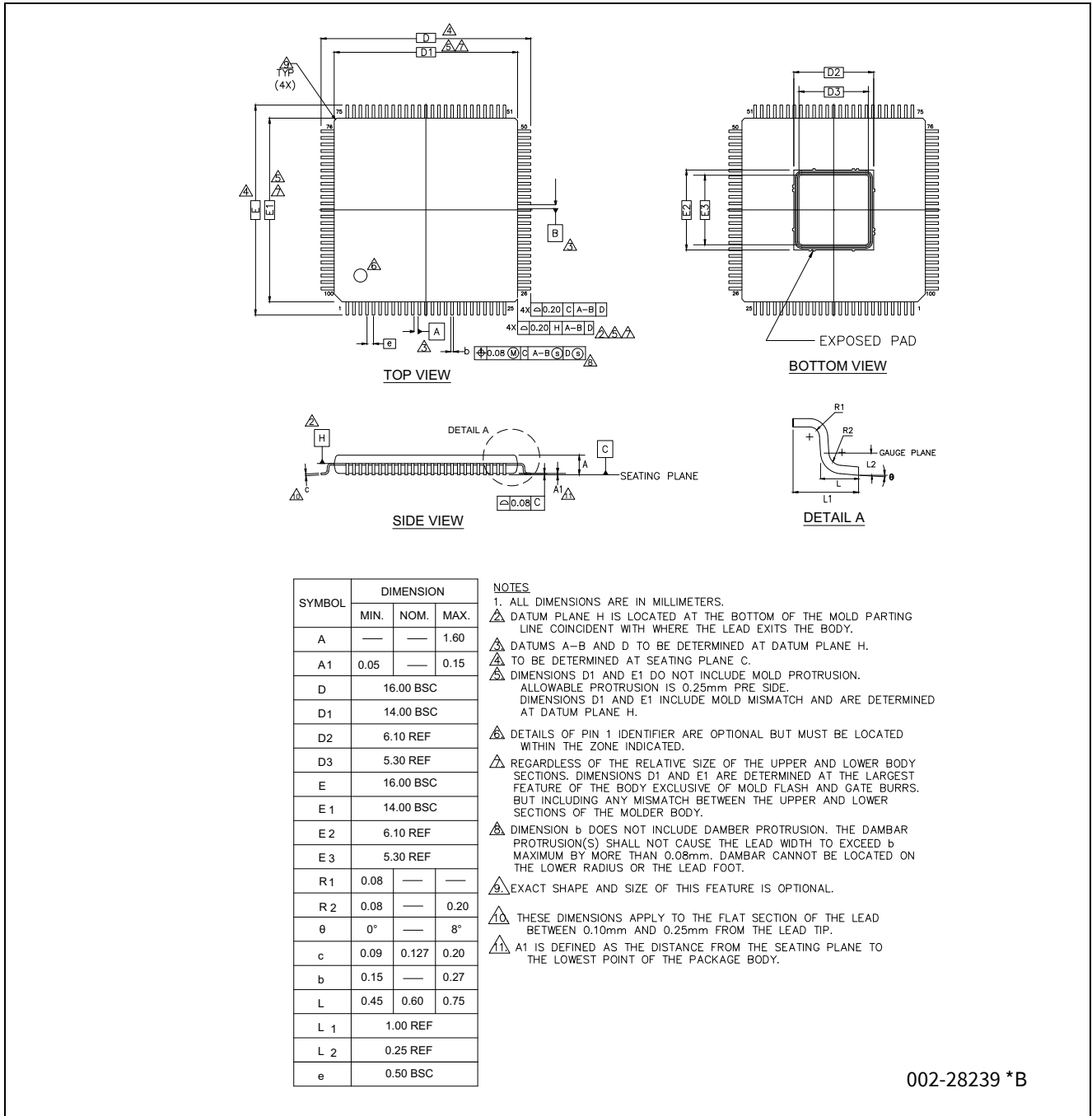
 86.Maximum value °C/Watt shown is for T<sub>A</sub> = 125 °C.

87.Board condition complies to JESD51-7(4 Layers).

**TRAVEO™ T2G 32-bit Automotive MCU**  
**Based on Arm® Cortex®-M7 single/dual**



Packaging



**Figure 28-1 Package outline - 100-TEQFP**

# TRAVEO™ T2G 32-bit Automotive MCU

## Based on Arm® Cortex®-M7 single/dual



### Packaging

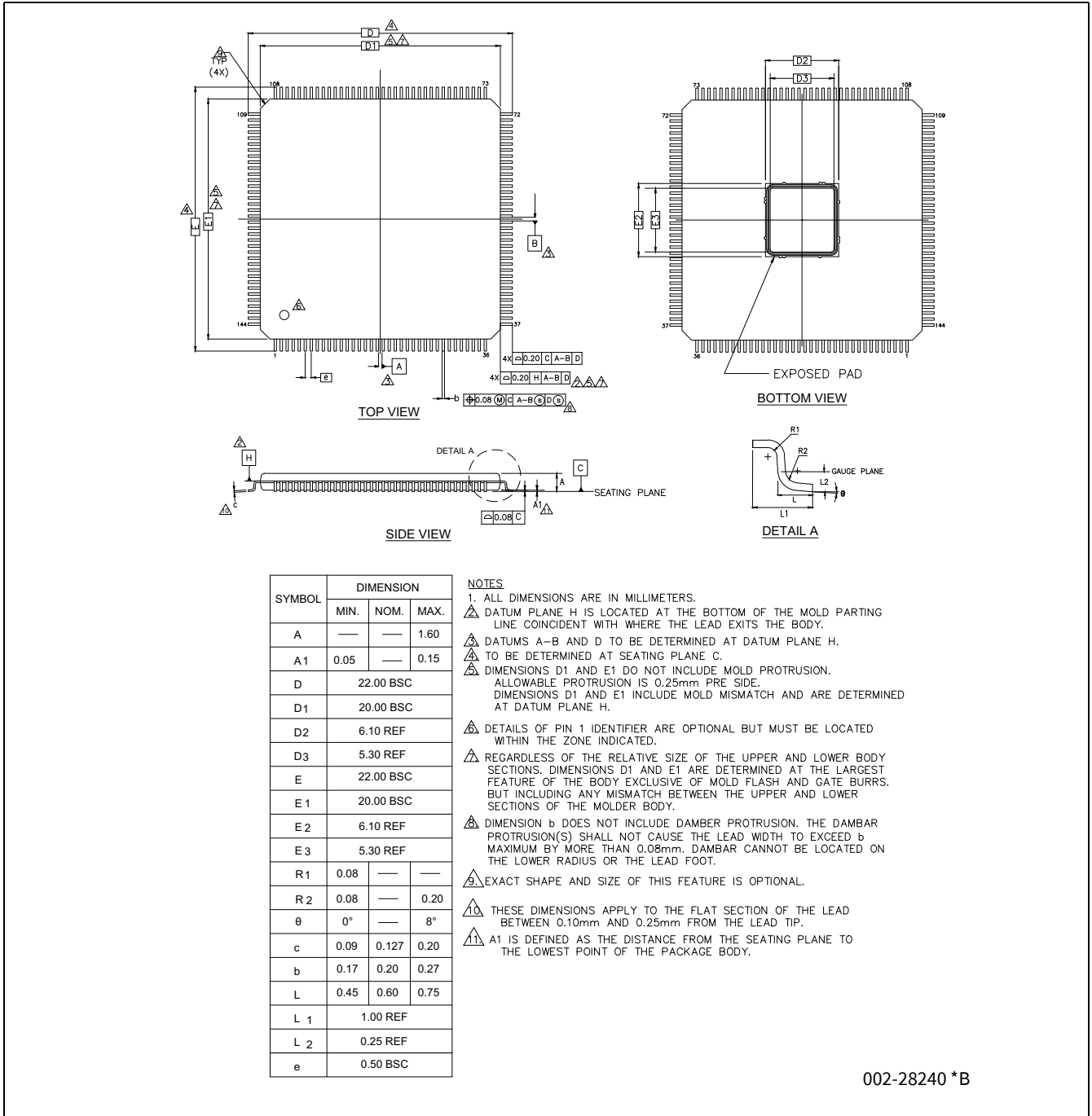


Figure 28-2 Package outline - 144-TEQFP

# TRAVEO™ T2G 32-bit Automotive MCU

## Based on Arm® Cortex®-M7 single/dual



Packaging

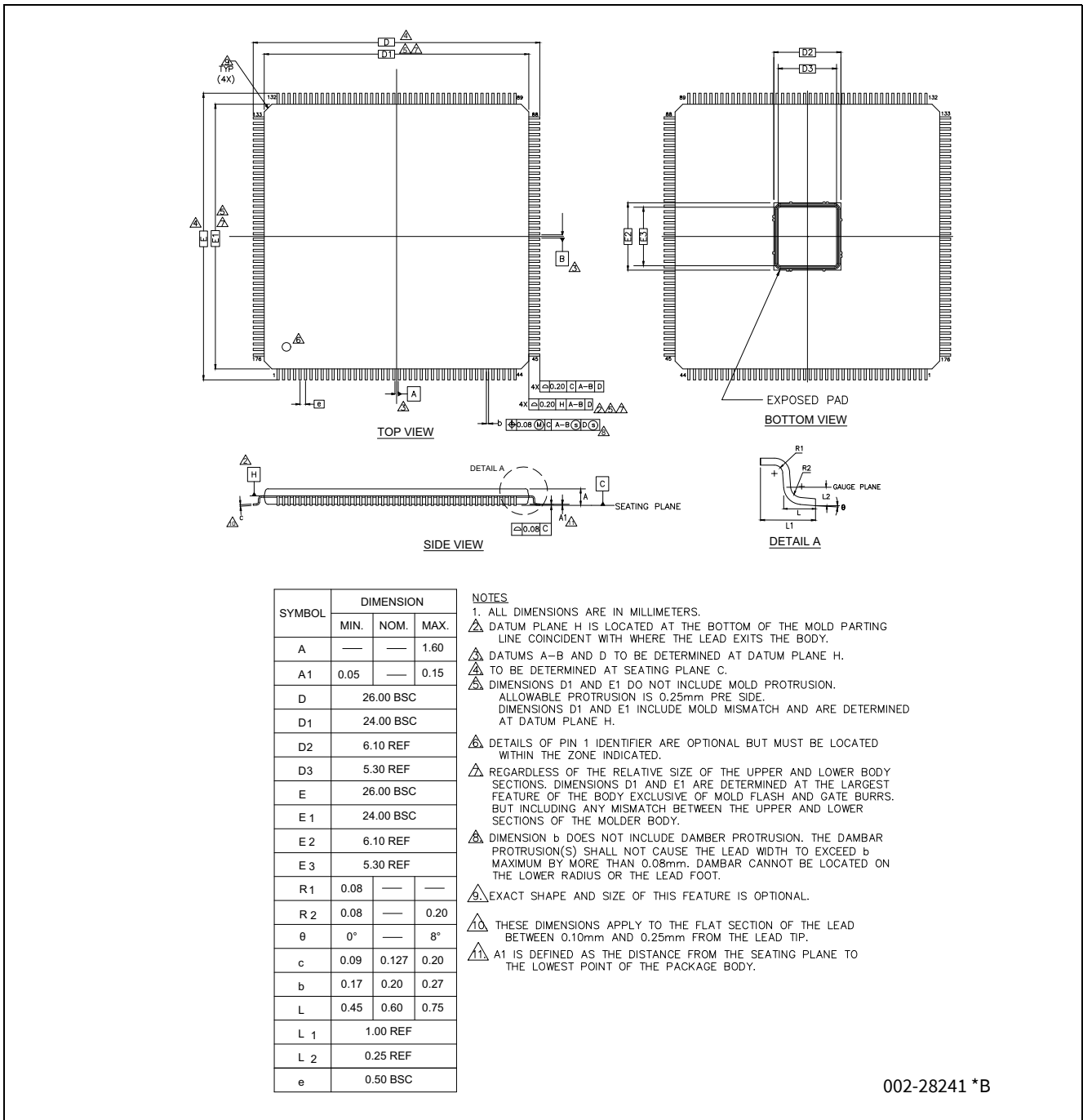
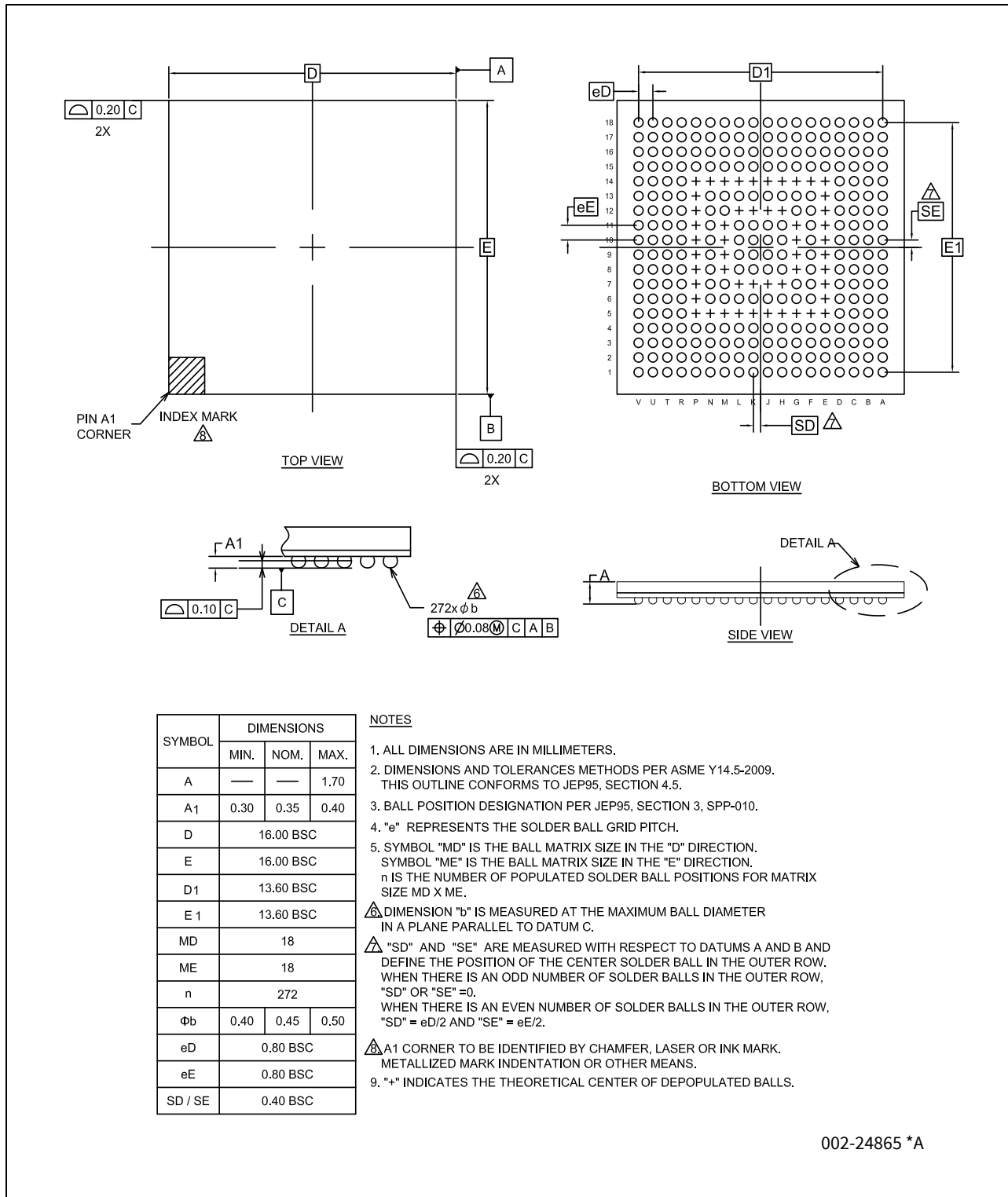


Figure 28-3 Package outline - 176-TEQFP



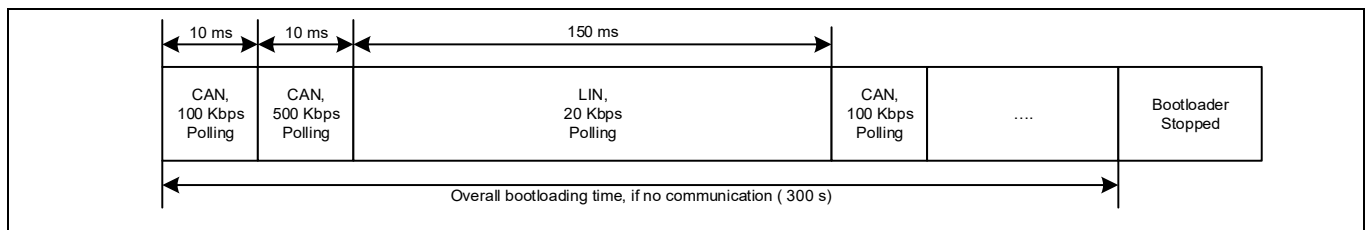
002-24865 \*A

**Figure 28-4 Package outline - 272-BGA**

## 29 Appendix

### 29.1 Bootloading or End-of-line (EoL) Programming

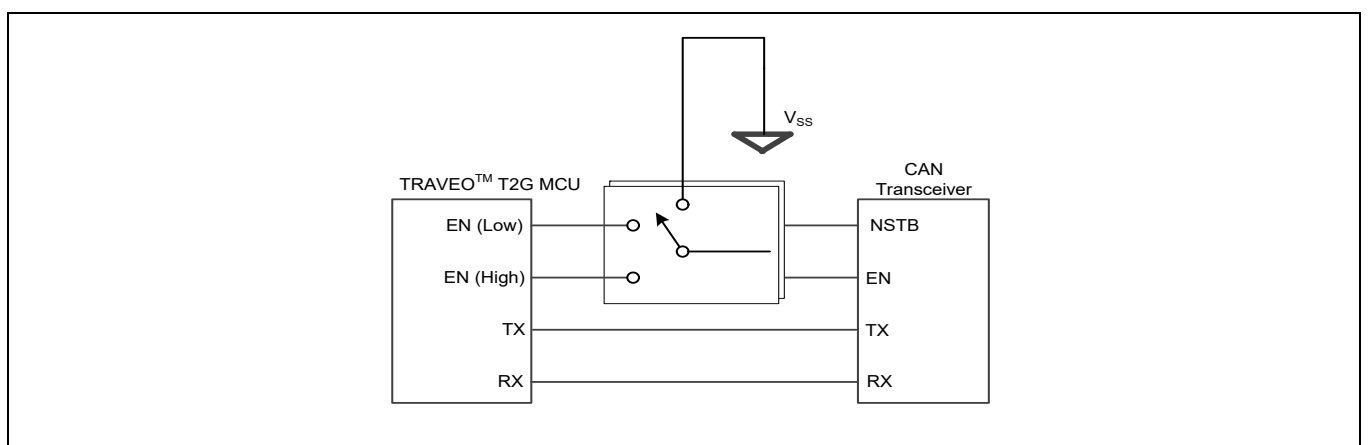
- Triggered at device startup, if a trigger condition is applied
- Either CAN or LIN communication may be used
- Bootloader polls for the communication on CAN or LIN at separate time frames, until the overall 300-second timeout is reached
- If a bootloader command is received on either communication interface, the polling stops and bootloader starts using this interface



**Figure 29-1 Bootloading sequence**

**Table 29-1 CAN interface details**

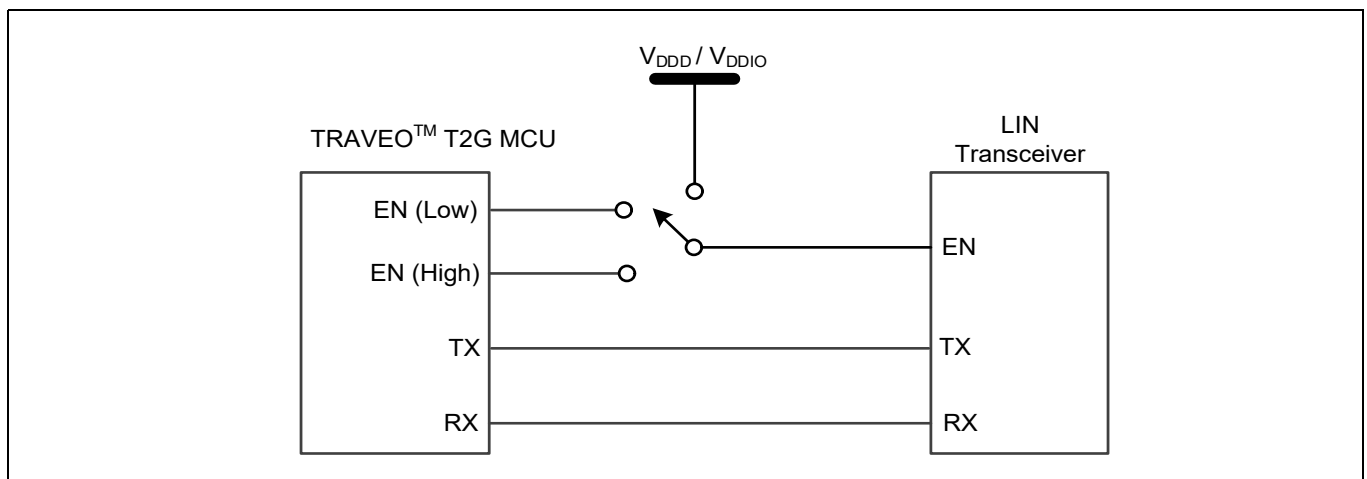
Sl. No.	CAN interface	Configuration
1	CAN Mode	Classic CAN
2	CAN Instance	CAN0, Channel#1
3	CAN TX	P0.2 / CAN0_1_TX
4	CAN RX	P0.3 / CAN0_1_RX
5	CAN Transceiver NSTB / EN (Low)	P23.3 (optional)
6	CAN Transceiver EN / EN (High)	P2.1 (optional)
7	CAN RX Message ID	0x1A1
8	CAN TX Message ID	0x1B1
9	Baud	100 or 500 kbps alternating



**Figure 29-2 MCU to CAN transceiver connections**

**Table 29-2 LIN interface details**

Sl. No.	LIN Interface	Configuration
1	LIN Type	LIN0, Channel#1
2	LIN Mode	Slave
3	LIN Checksum Type	Classic
4	LIN TX	P0.1 / LIN1_TX
5	LIN RX	P0.0 / LIN1_RX
6	LIN EN / EN (High)	P2.1 (optional)
7	LIN EN (Low)	P23.3 (optional)
8	LIN TX PID	0x46
9	LIN RX PID	0x45
10	Baud	20 or 115.2 kbps
11	Break Field Length	11
12	Break Delimiter Length	1 bit



**Figure 29-3 MCU to LIN transceiver connections**

## 29.2 External IP revisions

**Table 29-3 IP revisions**

Module	IP	Revision	Vendor
SDHC	mxsdhc	version 1.70a	Synopsys
CANFD	mxttcanfd	M_TTCAN IP revision: Rev.3.2.3	Bosch
Arm® Cortex®-M0+	armcm0p	Cortex-M0+-r0p1	Arm®
Arm® Cortex®-M7	armcm7	Cortex-M7-r1p2	Arm®
Arm® Coresight	armcoresighttk	CoreSight-SoC-TM100-r3p2	Arm®
Ethernet	mxeth	GEM_GXL r1p09	Cadence



## 30 Acronyms

**Table 30-1 Acronyms used in the document**

Acronym	Description	Acronym	Description
A/D	Analog to Digital	PLL	Phase Locked Loop
ABS	Absolute	POR	Power-on reset
ADC	Analog to Digital converter	PPU	Peripheral protection unit
AES	Advanced encryption standard	PRNG	Pseudo-random number generator
AHB	AMBA (advanced microcontroller bus architecture) high-performance bus, Arm® data transfer bus	PSoC	Programmable system on chip
Arm®	Advanced RISC machine, a CPU architecture	PWM	Pulse-width modulation
ASIL	Automotive safety integrity level	MCU	Microcontroller Unit
BOD	Brown-out detection	MCWDT	Multi-counter watchdog timer
CAN FD	Controller Area Network with Flexible Data rate	M-DMA	Memory-Direct Memory Access
CMOS	Complementary metal-oxide-semiconductor	MISO	Master-in slave-out
CPU	Central Processing Unit	MMIO	Memory mapped I/O
CRC	Cyclic redundancy check, an error-checking protocol	MOSI	Master-out slave-in
CSV	Clock supervisor	MPU	Memory protection unit
CTI	Cross Trigger Interface	NVIC	Nested vectored interrupt controller
DES	Data encryption standard	RAM	Random access memory
ECC	Error correcting code	RISC	Reduced-instruction-set computing
ECO	External crystal oscillator	ROM	Read only memory
ETM	Embedded Trace Macrocell	RTC	Real-time clock
FLL	Frequency Locked Loop	SAR	Successive approximation register
FPU	Floating point unit	SCB	Serial communication block
GHS	Green hills tool chain with IDE	SCL	I <sup>2</sup> C serial clock
GPIO	General-purpose input/output	SDA	I <sup>2</sup> C serial data
HSM	Hardware security module	SHA	Secure hash algorithm
I/O	Input/output	SHE	Secure hardware extension
I <sup>2</sup> C	Inter-Integrated Circuit, a communications protocol	SMPU	Shared memory protection unit
I <sup>2</sup> S	Inter-Integrated Circuit Sound	SPI	Serial peripheral interface, a communications protocol
ILO	Internal low-speed oscillator	SRAM	Static random access memory
IMO	Internal main oscillator	SWD	Single wire debug
IPC	Inter-processor communication	TCM	Tightly Coupled Memory
IrDA	Infrared interface	TCPWM	Timer/Counter Pulse-width modulator
IRQ	Interrupt request	TTL	Transistor-transistor logic
JTAG	Joint test action group	TRNG	True random number generator

Acronyms

**Table 30-1 Acronyms used in the document**

<b>Acronym</b>	<b>Description</b>	<b>Acronym</b>	<b>Description</b>
LIN	Local Interconnect Network, a communications protocol	UART	Universal Asynchronous Transmitter Receiver, a communications protocol
LVD	Low voltage detection	WCO	Watch crystal oscillator
OTA	Over-the-air programming	WDT	Watchdog timer reset
OTP	One-time programmable	XIP	eXecute In Place
OVD	Overvoltage detection	XTAL	Crystal
PASS	Programmable Analog Subsystem		
P-DMA	Peripheral-Direct Memory Access		

## 31 Errata

This section describes the errata for the CYT3BB/4BB product family. Details include trigger conditions, scope of impact, available workaround, and silicon revision applicability. Contact your local Infineon Sales Representative if you have further questions.

### Part numbers affected

Part numbers
All CYT3BB/4BB parts

### CYT3BB/4BB qualification status

Production samples

### CYT3BB/4BB errata summary

The following table defines the errata applicability to available CYT3BB/4BB family devices.

Items	Errata ID	CYT3BB/4BB	Silicon rev.	Fix status
[1] CAN FD RX FIFO top pointer feature does not function as expected	96	CYT3BB5CEBQ0AESGS CYT3BB5CEBQ0AEEGS CYT3BB7CEBQ0AESGS CYT3BB7CEBQ0AEEGS CYT3BB8CEBQ0AESGS CYT3BB8CEBQ0AEEGS CYT3BBBCEBQ0BZSGS CYT3BBBCEBQ0BZEGS CYT4BB5CEBQ0AESGS CYT4BB5CEBQ0AEEGS CYT4BB7CEBQ0AESGS CYT4BB7CEBQ0AEEGS CYT4BB8CEBQ0AESGS CYT4BB8CEBQ0AEEGS CYT4BBBCEBQ0BZSGS CYT4BBBCEBQ0BZEGS	B	No silicon fix planned. Use workaround.
[2] CAN FD debug message handling state machine is not reset to Idle state when CANFD_CH_CCCR.INIT is set	97			No silicon fix planned. Use workaround.
[3] Limitation of the memory hole in SCB register space	124			No silicon fix planned. Use workaround.
[4] Limitation of the memory hole in Ethernet (ETH) register space	128			No silicon fix planned. Use workaround.
[5] CAN FD controller message order inversion when transmitting from dedicated Tx Buffers configured with same Message ID	147			No silicon fix planned. Use workaround.
[6] CAN FD incomplete description of Dedicated Tx Buffers and Tx Queue related to transmission from multiple buffers configured with the same Message ID	167			No silicon fix planned. Use workaround. TRM was updated.
[7] Misleading status is returned for Flash and eFuse system calls, if there are pending NC ECC faults in SRAM controller #0	175			No silicon fix planned. TRM will be updated.
[8] WDT reset causes loss of SRAM retention	176			No silicon fix planned. TRM will be updated.
[9] RMIITX output maximum delay spec change for GPIO_STD	177			No silicon fix planned.
[10] Crypto ECC errors may be set after boot with application authentication	185			No silicon fix planned. TRM will be updated.
[11] Incomplete erase of Code Flash cells could happen Erase Suspend / Erase Resume is used along with Erase Sector operation in Non-Blocking mode	198			Will be fixed to update the Flash settings, via Manufacturing Test Program Update for Code Flash setting; this fix is transferred to TRAVEO™ T2G devices during Infineon Factory Test Flow. Fixed devices will be identified by Device Date Code, which is marked on every TRAVEO™ T2G device.
[12] Limitation for keeping the port state from peripheral IP after wakeup from DeepSleep	199			No silicon fix planned. TRM will be updated.

**1. CAN FD RX FIFO top pointer feature does not function as expected**

<b>Problem definition</b>	RX FIFO top pointer function calculates the address for received messages in Message RAM by hardware. This address should restart back from the start address after reading all messages of RX FIFO n size (n: 0 or 1). However, the address does not restart back from the start address when RX FIFO n size is set to 1 (CANFD_CH_RXFnC.FnS = 0x01). This results in CPU/DMA reading messages from the wrong address in Message RAM.
<b>Parameters affected</b>	NA
<b>Trigger condition(s)</b>	The RX FIFO top pointer function is used when RX FIFO n size is set to 1 element (CANFD_CH_RXFnC.FnS = 0x01).
<b>Scope of impact</b>	Received message cannot be correctly read by using the RX FIFO top pointer function, when RX FIFO n size is set to 1 element.
<b>Workaround</b>	Any of the following can be used as a workaround: 1) Set RX FIFO n size to 2 or more when using RX FIFO top pointer function. 2) Do not use the RX FIFO top pointer function when RX FIFO n size is set to 1 element. Instead of RX FIFO top pointer, read received messages from the Message RAM directly.
<b>Fix status</b>	No silicon fix planned. Use workaround.

**2. CAN FD debug message handling state machine is not reset to Idle state when CANFD\_CH\_CCCR.INIT is set**

<b>Problem definition</b>	If either of the CANFD_CH_CCCR.INIT bits is set by the Host or when the M_TTCAN module enters Bus-off state, the debug message handling state machine stays in its current state instead of being reset to Idle state. Configuring the bit CANFD_CH_CCCR.CCE does not change CANFD_CH_RXF1S.DMS.
<b>Parameters affected</b>	NA
<b>Trigger condition(s)</b>	Either of the CANFD_CH_CCCR.INIT bits is set by the Host or when the M_TTCAN module enters Bus-off state.
<b>Scope of impact</b>	The errata is limited to the use case when the debug on CAN functionality is active. Normal operation of the CAN module is not affected, in which case the debug message handling state machine always remains in Idle state. In the described use case, the debug message handling state machine is stopped and remains in the current state signaled by the CANFD_CH_RXF1S.DMS bit. In case CANFD_CH_RXF1S.DMS is set to 0b11, the DMA request remains active. Bosch classifies this as a non-critical error with low severity, there is no fix for the IP. Bosch recommends the workaround listed here.
<b>Workaround</b>	In case the debug message handling state machine has stopped while CANFD_CH_RXF1S.DMS is 0b01 or 0b10, it can be reset to Idle state by hardware reset or by reception of debug messages after CANFD_CH_CCCR.INIT is reset to zero.
<b>Fix status</b>	No silicon fix planned. Use workaround.

**3. Limitation of the memory hole in SCB register space**

<b>Problem definition</b>	The memory hole [offset address: 0x1000 to 0xFFFF] inside SCB register space is not aligned to the below defined spec. The offset address bits [15:12] are ignored and treated as 4'b0000, so write/read access to offset address [0x1000 to 0xFFFF], will actually happen to [0x0000 to 0x0FFF]. - Access to address gaps in memory mapped space: writes are ignored and any read returns a zero.
<b>Parameters affected</b>	NA
<b>Trigger condition(s)</b>	Access to the memory hole [offset address: 0x1000 to 0xFFFF] in SCB register space.
<b>Scope of impact</b>	The memory hole [offset address: 0x1000 to 0xFFFF] in SCB register space is not aligned to other IP registers.
<b>Workaround</b>	Do not access to the memory hole [offset address: 0x1000 to 0xFFFF] in SCB register space.
<b>Fix status</b>	No silicon fix planned.

<b>4. Limitation of the memory hole in Ethernet (ETH) register space</b>	
<b>Problem definition</b>	<p>The memory hole [offset address: 0x2000 to 0xFFFF] in ETH register space has the below mentioned original spec. However, when accessing to address gaps within [0x1000 to 0x1FFF], the offset address bits [15:13] are ignored and treated as 3'b000, so write/read access to offset address [0x3000 to 0x3FFF, 0x5000 to 0x5FFF, 0x7000 to 0x7FFF, 0x9000 to 0x9FFF, 0xB000 to 0xBFFF, 0xD000 to 0xDFFF, 0xF000 to 0xFFFF], will actually happen to [0x1000 to 0x1FFF].</p> <ul style="list-style-type: none"> <li>- Access to address gaps within [0x0000 to 0x0FFF]: writes are ignored and any read returns a zero.</li> <li>- Access to address gaps within [0x1000 to 0x1FFF]: returns AHB ERROR.</li> </ul>
<b>Parameters affected</b>	NA
<b>Trigger condition(s)</b>	Access to the memory hole [offset address: 0x3000 to 0x3FFF, 0x5000 to 0x5FFF, 0x7000 to 0x7FFF, 0x9000 to 0x9FFF, 0xB000 to 0xBFFF, 0xD000 to 0xDFFF, 0xF000 to 0xFFFF] in ETH register space.
<b>Scope of impact</b>	Write/read access to offset address [0x3000 to 0x3FFF, 0x5000 to 0x5FFF, 0x7000 to 0x7FFF, 0x9000 to 0x9FFF, 0xB000 to 0xBFFF, 0xD000 to 0xDFFF, 0xF000 to 0xFFFF], will actually happen to [0x1000 to 0x1FFF].
<b>Workaround</b>	Do not access to the memory hole [offset address: 0x3000 to 0x3FFF, 0x5000 to 0x5FFF, 0x7000 to 0x7FFF, 0x9000 to 0x9FFF, 0xB000 to 0xBFFF, 0xD000 to 0xDFFF, 0xF000 to 0xFFFF] in ETH register space.
<b>Fix status</b>	No silicon fix planned.
<b>5. CAN FD controller message order inversion when transmitting from dedicated Tx Buffers configured with same Message ID</b>	
<b>Problem definition</b>	<p><b>Configuration:</b>            Several Tx Buffers are configured with same Message ID. Transmission of these Tx Buffers is requested sequentially with a delay between the individual Tx requests.</p> <p><b>Expected behavior:</b>            When multiple Tx Buffers that are configured with the same Message ID have pending Tx requests, they shall be transmitted in ascending order of their Tx Buffer numbers. The Tx Buffer with lowest buffer number and pending Tx request is transmitted first.</p> <p><b>Observed behavior:</b>            It may happen, depending on the delay between the individual Tx requests, that in the case where multiple Tx Buffers are configured with the same Message ID the Tx Buffers are not transmitted in order of the Tx Buffer number (lowest number first).</p>
<b>Parameters affected</b>	NA
<b>Trigger condition(s)</b>	When multiple Tx Buffers that are configured with the same Message ID have pending Tx requests.
<b>Scope of impact</b>	In the case described it may happen, that Tx Buffers configured with the same Message ID and pending Tx request are not transmitted with lowest Tx Buffer number first (message order inversion).
<b>Workaround</b>	<p>Any of the following:</p> <ol style="list-style-type: none"> <li>1) First write the group of Tx message with the same Message ID to the Message RAM and then afterwards request transmission of all these messages concurrently by a single write access to CANFDx_CHY_TXBAR. Before requesting a group of Tx messages with this Message ID ensure that no message with this Message ID has a pending Tx request.</li> <li>2) Use the Tx FIFO instead of dedicated Tx Buffers for the transmission of several messages with the same Message ID in a specific order.</li> </ol> <p>Applications not able to use workaround #1 or #2 can implement a counter within the data section of their messages sent with same ID in order to allow the recipients to determine the correct sending sequence.</p>
<b>Fix status</b>	No silicon fix planned. Use workaround.

**6. CAN FD incomplete description of Dedicated Tx Buffers and Tx Queue related to transmission from multiple buffers configured with the same Message ID**

<b>Problem definition</b>	<p>The following are the updated description in the sections "Dedicated Tx Buffers" and "Tx Queue" of the architecture TRM related to the transmission from multiple buffers configured with the same Message ID.</p> <p>Dedicated Tx buffers</p> <ul style="list-style-type: none"> <li>- TRM statement: If multiple Tx buffers are configured with the same Message ID, the Tx buffer with the lowest buffer number is transmitted first.</li> <li>- Enhancement: These Tx buffers shall be requested in ascending order with lowest buffer number first. Alternatively all Tx buffers configured with the same Message ID can be requested simultaneously by a single write access to CANFDx_CHy_TXBAR.</li> </ul> <p>Tx queue</p> <ul style="list-style-type: none"> <li>- TRM statement: If multiple queue buffers are configured with the same Message ID, the queue buffer with the lowest buffer number is transmitted first.</li> <li>- Replacement: In case that multiple Tx queue buffers are configured with the same Message ID, the transmission order depends on numbers of the buffers where the messages were stored for transmission. As these buffer numbers depend on the then current states of the PUT Index, a prediction of the transmission order is not possible.</li> <li>- TRM statement: An Add Request cyclically increments the Put Index to the next free Tx Buffer.</li> <li>- Replacement: The PUT Index always points to that free buffer of the Tx Queue with the lowest number.</li> </ul>
<b>Parameters affected</b>	NA
<b>Trigger condition(s)</b>	Using multiple dedicated Tx buffers or Tx queue buffers configured with the same Message ID.
<b>Scope of impact</b>	In the case the dedicated Tx buffers with the same Message ID are not requested in ascending order or at the same time or in case of multiple Tx Queue Buffers with the same Message ID, it cannot be guaranteed, that these messages are transmitted in ascending order with lowest buffer number first.
<b>Workaround</b>	In case a defined order of transmission is required the Tx FIFO shall be used for transmission of messages with the same Message ID. Alternatively dedicated Tx Buffers with the same Message ID shall be requested in ascending order with lowest buffer number first or by a single write access to CANFDx_CHy_TXBAR. Alternatively a single Tx Buffer can be used to transmit those messages one after the other.
<b>Fix status</b>	No silicon fix planned. Use workaround. TRM was updated accordingly.

**7. Misleading status is returned for Flash and eFuse system calls, if there are pending NC ECC faults in SRAM controller #0**

<b>Problem Definition</b>	Flash and eFuse system calls will return misleading status of 0xF0000005 ("Page is write protected") even for non-protected row, or 0xF0000002 ("Invalid eFuse address") for valid eFuse address in case of pending NC ECC faults in SRAM controller #0.
<b>Parameters Affected</b>	Return status of Flash and eFuse system calls.
<b>Trigger Condition(s)</b>	NC ECC fault(s) pending in SRAM controller #0 and SWPUs are populated in the design.
<b>Scope of Impact</b>	Flash and eFuse system calls will not work until the NC ECC fault(s) pending in SRAM controller #0 is/are properly handled.
<b>Workaround</b>	If the NC ECC fault(s) are not due to HW malfunction (i.e. if the faults are due to usage of non-initialized SRAM or improper SRAM initialization), then clearing of these pending faults will resolve the issue.
<b>Fix Status</b>	No silicon fix planned. TRM will be updated.

<b>8. WDT reset causes loss of SRAM retention</b>	
<b>Problem Definition</b>	Architecture TRM Table on “Reset Cause Distribution” shows that, the WDT reset can retain SRAM if there is an orderly shutdown of the SRAM only during a warning interrupt. However, this is wrong. WDT reset causes loss of SRAM retention.
<b>Parameters Affected</b>	NA
<b>Trigger Condition(s)</b>	WDT reset
<b>Scope of Impact</b>	WDT reset causes loss of SRAM retention.
<b>Workaround</b>	None
<b>Fix Status</b>	No silicon fix planned. TRM will be updated.

<b>9. RMII TX output maximum delay spec change for GPIO_STD</b>	
<b>Problem Definition</b>	RMII TX output maximum delay specification has been changed from 14 ns to 14.6 ns for GPIO_STD.
<b>Parameters Affected</b>	SID393
<b>Trigger Condition(s)</b>	Using GPIO_STD as RMII
<b>Scope of Impact</b>	This spec change will cause that the PCB delay budget between MCU and PHY cut down to 1.4 ns from 2 ns. [PCB delay budget = REF_CLK period (e.g. 20 ns) – SID393 (14.6 ns) – PHY RXD setup (e.g. 4 ns)]
<b>Workaround</b>	None
<b>Fix Status</b>	No silicon fix planned.

<b>10. Crypto ECC errors may be set after boot with application authentication</b>	
<b>Problem Definition</b>	Due to the improper initialization of the Crypto memory buffer, Crypto ECC errors may be set after boot with application authentication. In spite of the Crypto ECC errors, the result of the authentication is reliable.
<b>Parameters Affected</b>	N/A
<b>Trigger Condition(s)</b>	Boot device with application authentication.
<b>Scope of Impact</b>	Crypto ECC errors may be set after boot with application authentication.
<b>Workaround</b>	Clear or ignore Crypto ECC errors which were generated during boot with application authentication.
<b>Fix Status</b>	No silicon fix planned. TRM will be updated.

<b>11. Incomplete erase of Code Flash cells could happen Erase Suspend / Erase Resume is used along with Erase Sector operation in Non-Blocking mode</b>	
<b>Problem Definition</b>	Code Flash memory can be erased in “Non-Blocking” mode; a Non-Blocking mode supported option allows users to suspend an ongoing erase sector operation. When an ongoing erase operation is interrupted using “Erase Suspend” and “Erase Resume”, Flash cells may not have been erased completely, even after the erase operation complete is indicated by FLASHC_STATUS register. Only Code Flash is impacted by this issue; Work Flash and Supervisory Flash (SFlash) are not impacted.
<b>Parameters Affected</b>	N/A
<b>Trigger Condition(s)</b>	Using EraseSector System Call in Non-Blocking mode for CM0+ to erase Code Flash and the ongoing erase operation is interrupted using EraseSuspend and EraseResume System calls.
<b>Scope of Impact</b>	When Code Flash sectors are erased in Non-Blocking mode and the ongoing erase operation is interrupted by Erase Suspend / Erase Resume, it cannot be guaranteed that the Code Flash cells are fully erased. Any read on the Code Flash area after the erase is complete or read on the programmed data after ProgramRow is complete can trigger ECC errors.

Errata

<b>Workaround</b>	Use any of the following: 1) User can use Non-Blocking mode for EraseSector, but must not interrupt the erase operation using Erase Suspend / Erase Resume. 2) If a Code Flash sector erase operation is interrupted using Erase Suspend / Erase Resume, then erase the same sector again without Erase Suspend / Erase Resume before reading the sector or programming the sector.
<b>Fix Status</b>	Will be fixed to update the Flash settings, via Manufacturing Test Program Update for Code Flash setting; this fix is transferred to TRAVEO™ T2G devices during Infineon Factory Test Flow. Fixed devices will be identified by Device Date Code, which is marked on every TRAVEO™ T2G device.

<b>12.Limitation for keeping the port state from peripheral IP after wakeup from DeepSleep</b>	
<b>Problem Definition</b>	The port state is not retained when the port selects peripheral IP (except for LIN or CAN FD) and MCU wakes up from DeepSleep.
<b>Parameters Affected</b>	N/A
<b>Trigger Condition(s)</b>	The port selects peripherals (except for LIN or CAN-FD), and MCU wakes up from DeepSleep.
<b>Scope of Impact</b>	Unexpected port output change might affect user system.
<b>Workaround</b>	If the port selects peripherals (except for LIN or CAN FD), and the port output value needed to be maintained after wakeup from DeepSleep, set HSIOM_PRTx_PORT_SEL.IOy_SEL = 0 (GPIO) before DeepSleep and set the required output value in GPIO configuration registers. After wakeup, change HSIOM_PRTx-PORT_SEL.IOy_SEL back to the peripheral module as needed.
<b>Fix Status</b>	No silicon fix planned. TRM will be updated to add above workaround.



## Revision history

Document revision	Date	Description of changes
**	2019-03-27	New datasheet
*A	2019-07-23	Updated <b>Features list</b> , <b>CYT3BB/4BB address map</b> , <b>Peripheral I/O map</b> . Updated <b>Pin assignment</b> , <b>Alternate function pin assignments</b> . Updated Trigger Group tables. Updated <b>Peripheral clocks</b> and <b>Peripheral protection unit fixed structure pairs</b> . Updated <b>Bus masters</b> and <b>Miscellaneous configuration</b> . Updated <b>Electrical specifications</b> . Updated <b>Reset sequence</b> and SPI Diagrams. Added <b>Table 26-20</b> . Updated <b>Ordering information</b> and <b>Packaging</b> .
*B	2019-09-06	Updated <b>Functional description</b> . Updated <b>Peripheral I/O map</b> . Updated <b>Pin assignment</b> . Updated <b>Alternate function pin assignments</b> and <b>Power pin assignments</b> . Updated <b>Miscellaneous configuration</b> . Updated <b>Development support</b> . Updated <b>Electrical specifications</b> . Updated <b>Ordering information</b> . Updated <b>Packaging</b> .
*C	2019-11-15	Updated Ethernet MAC in <b>Features list</b> . Updated SRAM details in <b>CYT3BB/4BB address map</b> . Added <b>Bootloading or End-of-line (EoL) Programming</b> . Updated values of the following SIDs: 676B, 26C, 33C, 33D, 333, 216, 342A1, 342D1 to 345D1, 345E1, 342E1, 342, 343, 344, 345A1, 345, 342B1, 342A, 780C, 782C, 190A to 231A, 342E1, 679B, 683B, 342D1, 343D1, 344D1, 345E1, 345D1, 748B/C, 749B, 706/A
*D	2020-05-04	Updated <b>Features list</b> . Updated <b>Functional description</b> . Updated <b>Power pin assignments</b> . Updated <b>Alternate function pin assignments</b> . Updated <b>Fault assignments</b> . Updated ECO spec from 3.988 MHz to 8 MHz. Updated <b>Electrical specifications</b> . Updated <b>Ordering information</b> .
*E	2020-09-23	Updated <b>Features</b> and <b>Features list</b> . Updated <b>Regulators</b> . Updated <b>Clock system</b> . Updated <b>Peripheral I/O map</b> . Updated <b>Pin function description</b> . Updated <b>Smoothing capacitor should be placed as close as possible to the VCCD pin..</b> Updated <b>Packaging</b> . Updated <b>Appendix</b> . Added <b>Errata</b> Updated <b>Electrical specifications</b> . Please refer to Revision history change log.

# TRAVEO™ T2G 32-bit Automotive MCU

Based on Arm® Cortex®-M7 single/dual



## Revision history

Document revision	Date	Description of changes
*F	2021-10-27	Updated <b>Features</b> Updated <b>Clock system</b> Updated <b>Power modes</b> Updated <b>Audio interface</b> Updated <b>I/Os</b> Updated <b>Pin assignment</b> Updated <b>High-speed I/O matrix connections</b> Updated <b>Alternate function pin assignments</b> Updated <b>Interrupts and wake-up assignments</b> Updated <b>Faults</b> Updated <b>Bus masters</b> Updated <b>Electrical specifications</b> Updated <b>Part number nomenclature</b> Updated <b>Errata</b>
*G	2022-02-18	Updated <b>System resources.</b> Updated <b>Serial memory interface specifications.</b> Updated <b>Part number nomenclature.</b> Updated TQFP package diagrams. Updated <b>Errata.</b>
*H	2022-09-08	Updated <b>Functional description.</b> Updated <b>Peripheral I/O map.</b> Updated <b>Electrical specifications.</b> Updated <b>Errata.</b>

## Revision history change log

### Rev. \*H Section updates

Section	Change Description	Current Spec (002-26591 Rev. *G)	New Spec (002-26591 Rev. *H)	Reason for change
3.2.2.2 Core internal	Updated current value	280 mA	300 mA	Corrected
3.3.9 External memory interface	Updated description	(single, dual, quad, or octal SPI at up to 90 MHz)	(single, dual, quad, or octal SPI)	Corrected
Table 6-1 CYT3BB/4BB peripheral I/O map	Updated TCPWM base addresses	0x4038 0000 0x4038 8000 0x4039 0000	0x4058 0000 0x4058 8000 0x4059 0000	Corrected
SID40 (Power supply voltage)	Updated Note	[57]: 5.0 V ±10% is supported with a higher OVD setting option for VDDD and VDDA. This setting provides robust protection for internal and interface timing, but OVD reset occurs at a voltage above the specified operating conditions. A lower OVD setting option is available (consistent with up to 5.0 V) and guarantees that all operating conditions are met.	[57]: 5.0 V ±10% is supported with a higher OVD setting option for VDDD and VDDA. This setting provides robust protection for internal and interface timing, but OVD reset occurs at a voltage above the specified operating conditions. A lower OVD setting option is available (consistent with up to 5.0 V) and guarantees that all operating conditions are met. Voltage overshoot to a higher OVD setting range for VDDD and VDDA is permissible, provided the duration is less than 2 hours cumulated. Note that during overshoot voltage condition electrical parameters are not guaranteed.	Corrected
26.11 Clock specifications	Updated table	(none)	- Addition of FLL source - Maximum permitted clock frequency setting for both PLL and FLL	Improvement
31. Errata	Added errata	(none)	Added errata ID 185, 198, 199	New addition

## Trademarks

All referenced product or service names and trademarks are the property of their respective owners.

**Edition 2022-09-08**  
**Published by**  
**Infineon Technologies AG**  
**81726 Munich, Germany**

**© 2022 Infineon Technologies AG.**  
**All Rights Reserved.**

**Do you have a question about this document?**  
Go to [www.infineon.com/support](http://www.infineon.com/support)

**Document reference**  
**002-26591 Rev. \*H**

## IMPORTANT NOTICE

The information given in this document shall in no event be regarded as a guarantee of conditions or characteristics ("Beschaffenhheitsgarantie").

With respect to any examples, hints or any typical values stated herein and/or any information regarding the application of the product, Infineon Technologies hereby disclaims any and all warranties and liabilities of any kind, including without limitation warranties of non-infringement of intellectual property rights of any third party.

In addition, any information given in this document is subject to customer's compliance with its obligations stated in this document and any applicable legal requirements, norms and standards concerning customer's products and any use of the product of Infineon Technologies in customer's applications.

The data contained in this document is exclusively intended for technically trained staff. It is the responsibility of customer's technical departments to evaluate the suitability of the product for the intended application and the completeness of the product information given in this document with respect to such application.

For further information on the product, technology, delivery terms and conditions and prices please contact your nearest Infineon Technologies office ([www.infineon.com](http://www.infineon.com)).

## WARNINGS

Due to technical requirements products may contain dangerous substances. For information on the types in question please contact your nearest Infineon Technologies office.

Except as otherwise explicitly approved by Infineon Technologies in a written document signed by authorized representatives of Infineon Technologies, Infineon Technologies' products may not be used in any applications where a failure of the product or any consequences of the use thereof can reasonably be expected to result in personal injury.