

4

3

2

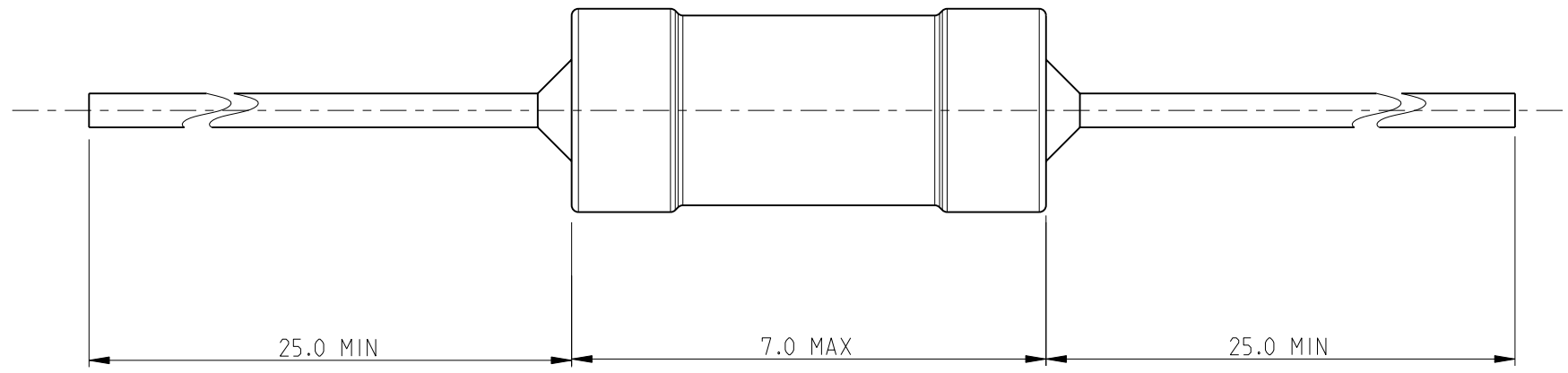
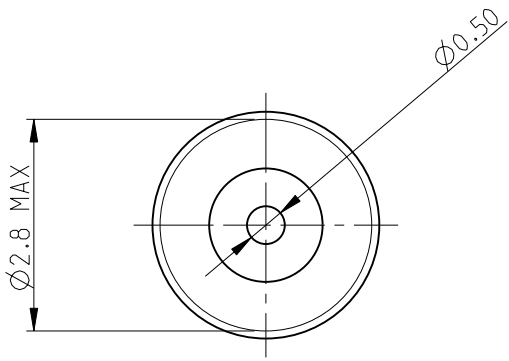
1

THIS DRAWING IS UNPUBLISHED. RELEASED FOR PUBLICATION 2010

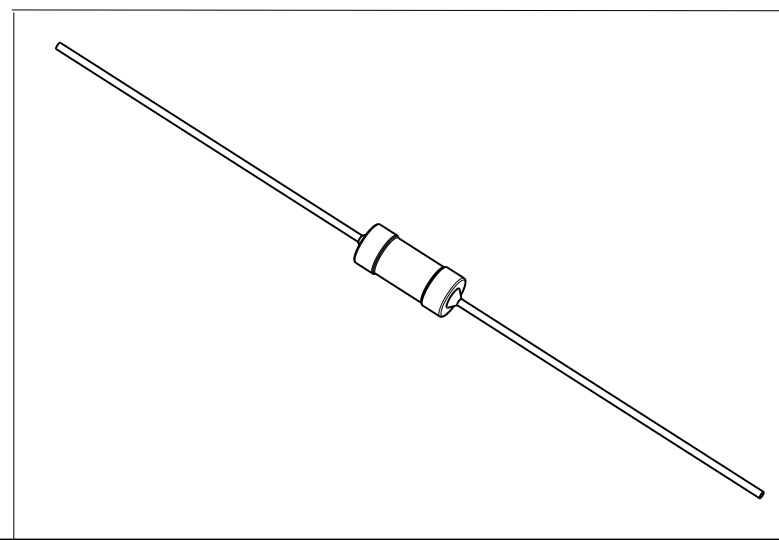
© COPYRIGHT 2010 BY TYCO ELECTRONICS CORPORATION. ALL RIGHTS RESERVED.

LOC	DIST	REVISIONS				
P	LTR	DESCRIPTION	DATE	DWN	APVD	
E	B	BA	NEW RELEASE	05AUG2010	PT	St.P

FOR FURTHER INFORMATION SEE DATA SHEET FOR
SERIES SC - AXIAL LEADED POWER INDUCTORS



RoHS Compliant



<small>THIS DRAWING IS A CONTROLLED DOCUMENT FOR TYCO ELECTRONICS CORPORATION IT IS SUBJECT TO CHANGE AND THE CONTROLLING ENGINEERING ORGANIZATION SHOULD BE CONTACTED FOR THE LATEST REVISION.</small>		DWN 05AUG2010 PARUSURAM.T	Tyco Electronics Corporation Dorcan, Swindon, SN3 5HH	
DIMENSIONS: mm		CHK 05AUG2010 ALLAN.P	NAME AXIAL LEADED POWER INDUCTORS SERIES SC30	
		APVD 05AUG2010 STEPHEN.P	PRODUCT SPEC -	RESTRICTED TO -
MATERIAL -		TOLERANCES UNLESS OTHERWISE SPECIFIED: 0 PLC ±0.2 1 PLC ±0.1 2 PLC ±- 3 PLC ±- 4 PLC ±- ANGLES ±5°	APPLICATION SPEC -	SIZE A3 CAGE CODE 00779 DRAWING NO C-1624031
FINISH -		WEIGHT -	CUSTOMER DRAWING	SCALE 10:1 SHEET 1 OF 1 REV BA