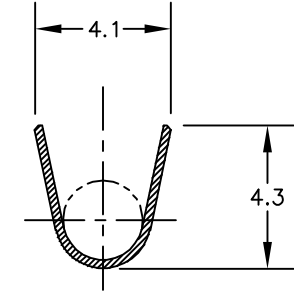
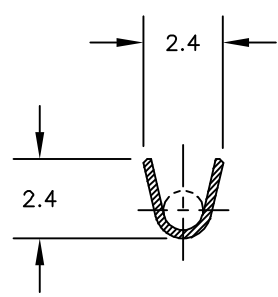
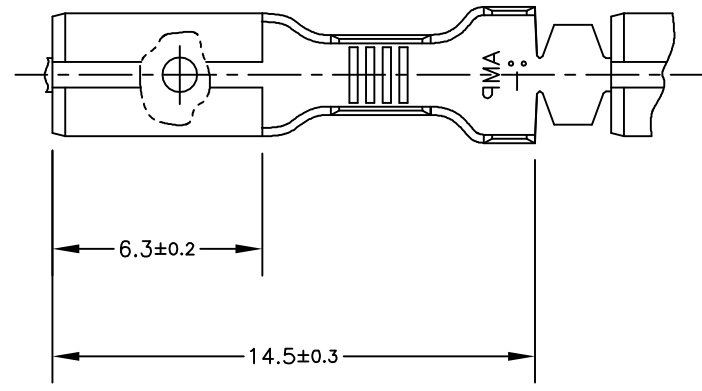


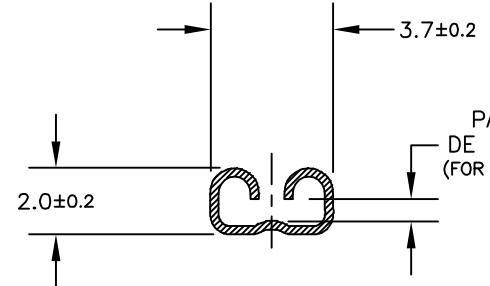
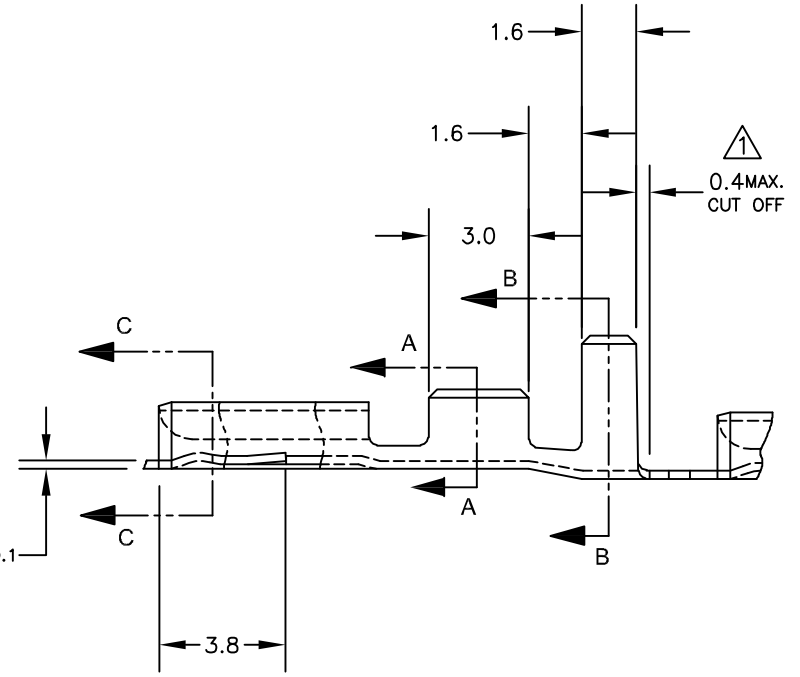
THIS DRAWING IS UNPUBLISHED. RELEASED FOR PUBLICATION
 © COPYRIGHT - By - ALL RIGHTS RESERVED.

LOC	DIST	REVISIONS					
AP	-	P	LTR LT	DESCRIPTION DESRIGCO	DATE DATA	DWN DES	APVD APR
		E		REVISED BY ECLB080/02	07MAY02	AP	PLF
E1		REVISED PER ECO-10-000445	12JUN10	KK	AEG		
E2		REVISED BY ECO-12-020561	22NOV12	PP	DAO		



SECTION A-A

SECTION B-B



SECTION C-C

▲ - PEÇA SOLTA. ▲ - LOOSE PIECE.
 ▲ - OBSOLETE PARTS: OBSOLETE CIS STREAMLINING PER D.RENAUD/D.SINISI

OBSOLETE	FINISH	MATERIAL	PART NUMBER
	ESTANHADO / TIN PLATED	BRONZE FOSF. / PHOSP. BRONZE	881607-8
---	BRONZE FOSF. / PHOSP. BRONZE	881607-7 ▲	
ESTANHADO / TIN PLATED	LATÃO / BRASS	881607-6 ▲	
---	LATÃO / BRASS	881607-5 ▲	
PRATEADO / SILVER PLATED	LATÃO / BRASS	881607-4	
---	BRONZE FOSF. / PHOSP. BRONZE	881607-3	
ESTANHADO / TIN PLATED	LATÃO / BRASS	881607-2	
---	LATÃO / BRASS	881607-1	

INS. RANGE 2,0 - 2,7 mm	WIRE RANGE 0,5 - 1,0 mm ²
THIS DRAWING IS A CONTROLLED DOCUMENT.	
DIMENSIONS: DIMENSÕES mm	TOLERANCES UNLESS OTHERWISE SPECIFIED: TOLERÂNCIA NCO ESPECIFICADAS
	0 PLC/DEC ± - 1 PLC/DEC ± 0,3 2 PLC/DEC ± - 3 PLC/DEC ± - 4 PLC/DEC ± - ANGLES/ANGULARES ± 1'
MATERIAL SEE TABLE	FINISH ACABAMENTO SEE TABLE

DWN/DES A.PERUSSI 07MAY2002	TE Connectivity .110 SERIES FASTON RECEPTACLE
CHK/CH P.L.FARIA 07MAY2002	
APVD/APR L.W.PRADO 07MAY2002	
NAME DESRIÇCO	
PRODUCT SPEC 108-37014	SIZE A3
APPLICATION SPEC 114-2036	CAGE CODE 00779
WEIGHT -/-	DRAWING NO DESENHO NO C-881607
CUSTOMER DRAWING/DESENHO DE CLIENTE	
SCALE ESCALA 5:1	SHEET FOLHA 1 DE 1
REV E2	RESTRICTED TO -/-

DO NOT REVISE EXCEPT BY CAD