

Low Power Bottom Port Digital Silicon Microphone

DESCRIPTION

The WM7236 is a low-profile digital silicon microphone, optimised for use with low-power 'Always-on' voice control applications, such as Cirrus Logic® SoundClear™ software.

The WM7236 supports two operational modes, selected according to the applied clock frequency. 'Voice' mode provides low current consumption, and sufficient SNR performance for speech recognition algorithms. 'Hi-Fi Record' mode offers wide dynamic range, and class-leading THD performance. Operation in the ultrasonic band is also supported at high clock frequencies.

The WM7236 incorporates Cirrus Logic proprietary CMOS/MEMS membrane technology, offering high reliability and high performance in a miniature, low-profile package. The WM7236 is designed to withstand the high temperatures associated with automated flow solder assembly processes. (Note that conventional microphones can be damaged by this process.)

The WM7236 incorporates a high-performance ADC, which outputs a single-bit data stream using Pulse Density Modulation (PDM) encoding. The WM7236 supports selectable left/right channel assignment for a two-channel digital microphone interface, enabling efficient connection of multiple microphones in stereo/array configurations.

The WM7236 offers tight tolerance on the microphone sensitivity, giving reduced variation between parts. This removes the need for in-line production calibration of part-to-part microphone variations.

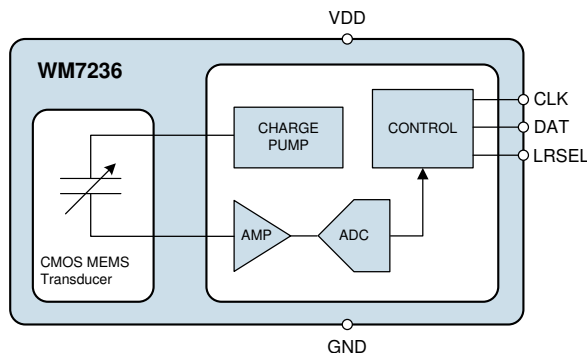
FEATURES

- High SNR (63dB)
- Low variation in sensitivity (± 1 dB tolerance)
- Low current consumption
 - 10 μ A (Sleep)
 - 290 μ A (Voice mode)
 - 980 μ A (Hi-Fi Record mode)
- PDM digital audio output
- Stereo/array operation
- Proprietary ADC technology
 - Reduced clock-jitter sensitivity
 - Low noise floor
 - Stable in overload condition
- Bottom Port LGA Package
- 1.62V to 2.0V supply

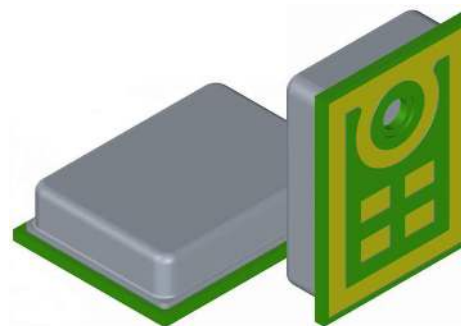
APPLICATIONS

- Mobile telephone handsets
- Wearable devices
- Portable media players
- Digital cameras
- Tablets and laptop computers

BLOCK DIAGRAM



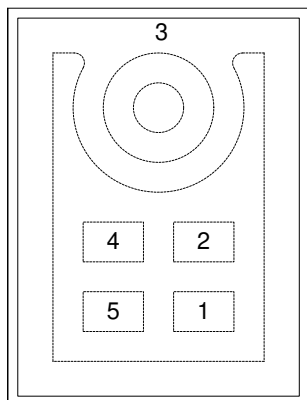
3D VIEW



4.00mm x 3.00mm x 1.00mm LGA package

TABLE OF CONTENTS

DESCRIPTION	1
FEATURES	1
APPLICATIONS	1
BLOCK DIAGRAM	1
3D VIEW	1
TABLE OF CONTENTS	2
PIN CONFIGURATION	3
PIN DESCRIPTION	3
ORDERING INFORMATION	3
ABSOLUTE MAXIMUM RATINGS	4
IMPORTANT ASSEMBLY GUIDELINES	4
RECOMMENDED OPERATING CONDITIONS	4
ACOUSTIC AND ELECTRICAL CHARACTERISTICS	5
TERMINOLOGY.....	7
AUDIO INTERFACE TIMING	8
TYPICAL PERFORMANCE	9
APPLICATIONS INFORMATION	10
RECOMMENDED EXTERNAL COMPONENTS.....	10
OPTIMISED SYSTEM RF DESIGN	10
CONNECTION TO A CIRRUS LOGIC AUDIO CODEC.....	10
PCB LAND PATTERN AND PASTE STENCIL	11
PACKAGE DIMENSIONS	12
IMPORTANT NOTICE	13
REVISION HISTORY	14

PIN CONFIGURATION


TOP VIEW

PIN DESCRIPTION

PIN	NAME	TYPE	DESCRIPTION
1	CLK	Digital Input	Clock input
2	LRSEL	Digital Input	Channel select 0 = Data output following falling CLK edge 1 = Data output following rising CLK edge Internal pull-down holds this pin at logic 0 when not connected
3	GND	Supply	Ground
4	VDD	Supply	Power supply
5	DAT	Digital Output	PDM data output

ORDERING INFORMATION

ORDER CODE	TEMPERATURE RANGE	PACKAGE	MOISTURE SENSITIVITY LEVEL	PEAK SOLDERING TEMPERATURE
WM7236IMSE/RV	-40 to +100°C	LGA (tape and reel)	MSL2A	+260°C

Note:

Reel quantity = 4800

All devices are Pb-free and Halogen free.

ABSOLUTE MAXIMUM RATINGS

Absolute Maximum Ratings are stress ratings only. Permanent damage to the device may be caused by continuously operating at or beyond these limits. Device functional operating limits and guaranteed performance specifications are given under Electrical Characteristics at the test conditions specified.



ESD Sensitive Device. This device is manufactured on a CMOS process. It is therefore generically susceptible to damage from excessive static voltages. Proper ESD precautions must be taken during handling and storage of this device.

Cirrus Logic tests its package types according to IPC/JEDEC J-STD-020 for Moisture Sensitivity to determine acceptable storage conditions prior to surface mount assembly. These levels are:

MSL1 = unlimited floor life at <30°C / 85% Relative Humidity. Not normally stored in moisture barrier bag.

MSL2 = out of bag storage for 1 year at <30°C / 60% Relative Humidity. Supplied in moisture barrier bag.

MSL2A = out of bag storage for 4 weeks at <30°C / 60% Relative Humidity. Supplied in moisture barrier bag.

MSL3 = out of bag storage for 168 hours at <30°C / 60% Relative Humidity. Supplied in moisture barrier bag.

The Moisture Sensitivity Level for each package type is specified in Ordering Information.

CONDITION	MIN	MAX
Supply Voltage (VDD)	-0.3V	+4.2V
Voltage range digital inputs (LRSEL, CLK)	-0.3V	2.3V (see note)
Operating temperature range, T _A	-40°C	+100°C
Storage temperature prior to soldering	30°C max / 60% RH max	
Storage temperature after soldering	-40°C	+100°C

Note:

If VDD is above the minimum recommended operating level, the maximum input voltage is VDD + 0.3V.

IMPORTANT ASSEMBLY GUIDELINES

Do not put a vacuum over the port hole of the microphone. Placing a vacuum over the port hole can damage the device.

Do not board wash the microphone after a re-flow process. Board washing and the associated cleaning agents can damage the device. Do not expose to ultrasonic cleaning methods.

Do not use vapour phase re-flow process. The vapour can damage the device.

Please refer to application note WAN0273 (MEMS MIC Assembly and Handling Guidelines) for further assembly and handling guidelines.

RECOMMENDED OPERATING CONDITIONS

PARAMETER	SYMBOL	MIN	TYP	MAX	UNIT
VDD Supply Range	VDD	1.62	1.8	2.0	V
Ground	GND		0		V
Clock Frequency	F _{CLK}	0.3		4.9	MHz

ACOUSTIC AND ELECTRICAL CHARACTERISTICS

Test Conditions: VDD=1.8V, 1kHz test signal, CLK=3.072MHz, C_{LOAD} = 100pF, T_A = 25°C, unless otherwise stated.

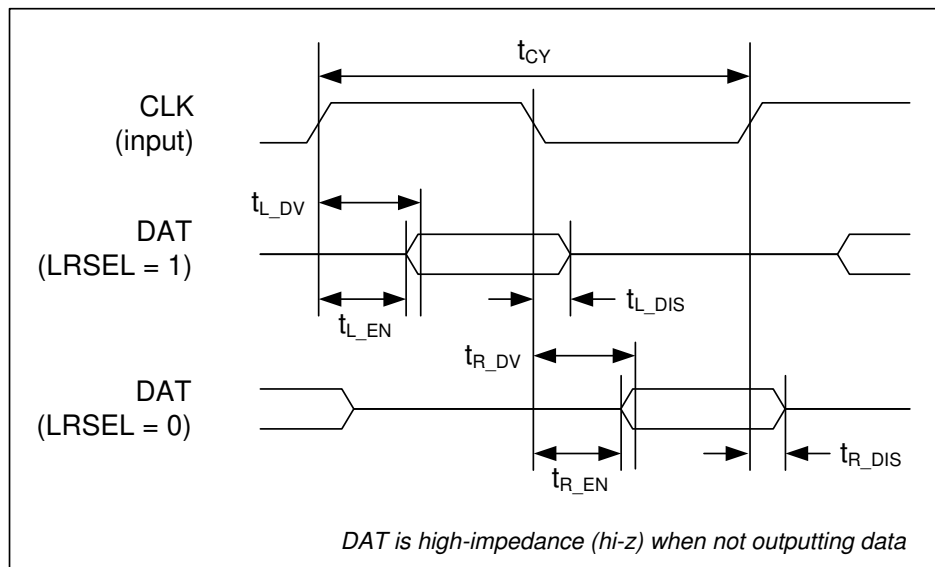
PARAMETER	SYMBOL	TEST CONDITIONS	MIN	TYP	MAX	UNIT
Directivity			Omni-directional			
Polarity		Positive sound pressure	Increasing density of 1s			
Sensitivity	S	94dB SPL	-27	-26	-25	dBFS
Voice Mode: CLK=768kHz						
Acoustic Overload		THD < 10%		120		dB SPL
Total Harmonic Distortion	THD	94dB SPL, 200Hz to 8kHz		0.05		%
		118dB SPL, 200Hz to 8kHz		1		
Signal to Noise Ratio	SNR	A-weighted, 200Hz to 8kHz		60		dB
Dynamic Range	DR	A-weighted, 200Hz to 8kHz		84		dB
Acoustic Noise Floor		A-weighted, 200Hz to 8kHz		34		dB SPL
Electrical Noise Floor		A-weighted, 200Hz to 8kHz		-86		dBFS
Power Supply Rejection	PSR	217Hz square wave, 100mV (peak-peak)		-70		dBFS
Hi-Fi Record Mode: CLK=3.072MHz						
Acoustic Overload		THD < 10%		120		dB SPL
Total Harmonic Distortion	THD	94dB SPL		0.05		%
		118dB SPL		1		
Signal to Noise Ratio	SNR	A-weighted		63		dB
Dynamic Range	DR	A-weighted		87		dB
Acoustic Noise Floor		A-weighted		31		dB SPL
Electrical Noise Floor		A-weighted		-89		dBFS
Power Supply Rejection	PSR	217Hz square wave, 100mV (peak-peak)		-65		dBFS
Hi-Fi Record Mode (Ultrasonic operation): CLK=3.84MHz						
Acoustic Overload		THD < 10%		120		dB SPL
Total Harmonic Distortion	THD	94dB SPL		0.05		%
		118dB SPL		1		
Signal to Noise Ratio	SNR	A-weighted		63		dB
Dynamic Range	DR	A-weighted		87		dB
Acoustic Noise Floor		A-weighted		31		dB SPL
Electrical Noise Floor		A-weighted		-89		dBFS
Power Supply Rejection	PSR	217Hz square wave, 100mV (peak-peak)		-65		dBFS
Frequency Response						
Frequency Response		-3dB low frequency	55	70	85	Hz
		+3dB high frequency		12000		
Frequency Response Flatness		200Hz to 6kHz	-1		+1	dB

Test Conditions: VDD=1.8V, 1kHz test signal, CLK=3.072MHz, C_{LOAD} = 100pF, T_A = 25°C, unless otherwise stated.

PARAMETER	SYMBOL	TEST CONDITIONS	MIN	TYP	MAX	UNIT
Digital Input / Output						
Input HIGH Level	V _{IH}	VDD = 1.8V ±10%	0.65 × VDD			V
Input LOW Level	V _{IL}	VDD = 1.8V ±10%			0.35 × VDD	V
Output HIGH Level	V _{OH}	I _{OH} = 1mA	0.9 × VDD			V
Output LOW Level	V _{OL}	I _{OL} = -1mA			0.1 × VDD	V
Input capacitance (CLK)				3.5		pF
Input leakage			-1		1	μA
Pull-down resistance (LRSEL)				2.5		MΩ
Maximum load capacitance (DAT)	C _{LOAD}				150	pF
Short Circuit Output Current		DAT connected to GND			10	mA
Miscellaneous						
Current Consumption (no load connected)	I _{VDD}	Sleep Mode, CLK = 0Hz			10	μA
		Voice Mode, CLK = 768kHz		290	400	
		Hi-Fi Record Mode, CLK = 3.072MHz		980	1250	
		Hi-Fi Record Mode, CLK = 3.84MHz		1010	1300	
Start-up time		from VDD applied to output within specification		10	50	ms
		from CLK applied to output within specification		10	50	
Impulse recovery time		from input sound pressure below overload level to output within specification		50		ms
CLK frequency		Sleep Mode		0		Hz
		Voice Mode	300		800	kHz
		Hi-Fi Record Mode	2.2		4.9	MHz
Mode selection time					4	CLK cycles

TERMINOLOGY

1. Sensitivity (dBFS) – Sensitivity is a measure of the microphone output response to the acoustic pressure of a 1kHz 94dB SPL (1Pa RMS) sine wave. This is referenced to the output Full Scale Range (FSR) of the microphone.
2. Full Scale Range (FSR) – Sensitivity, Electrical Noise Floor and Power Supply Rejection are measured with reference to the output Full Scale Range (FSR) of the microphone. FSR is defined as the amplitude of a 1kHz sine wave output whose positive peak value reaches 100% density of logic 1s and whose negative peak value reaches 0% density of logic 1s. This is the largest 1kHz sine wave that will fit in the digital output range without clipping. Note that, because the definition of FSR is based on a sine wave, it is possible to support a square wave test signal output whose level is +3dBFS.
3. Total Harmonic Distortion (%) – THD is the ratio of the RMS sum of the harmonic distortion products in the specified bandwidth (see note below) relative to the RMS amplitude of the fundamental (ie. test frequency) output.
4. Signal-to-Noise Ratio (dB) – SNR is a measure of the difference in level between the output response of a 1kHz 94dB SPL sine wave and the idle noise output.
5. Dynamic Range (dB) – DR is the ratio of the 1% THD microphone output level (in response to a sine wave input) and the idle noise output level.
6. All performance measurements are carried out within a 20Hz to 20kHz bandwidth and, where noted, an A-weighted filter. Failure to use these filters will result in higher THD and lower SNR values than are found in the Acoustic and Electrical Characteristics. The brick wall filter removes out-of-band noise.
7. Hi-Fi Record mode and Voice mode are selected according to CLK frequency, as described above.
8. Sleep Mode is enabled when the CLK input is stopped; this is a power-saving mode. Normal operation resumes automatically when the CLK input frequency is within the specified operational limits. Note that the VDD supply is still required in Sleep mode.

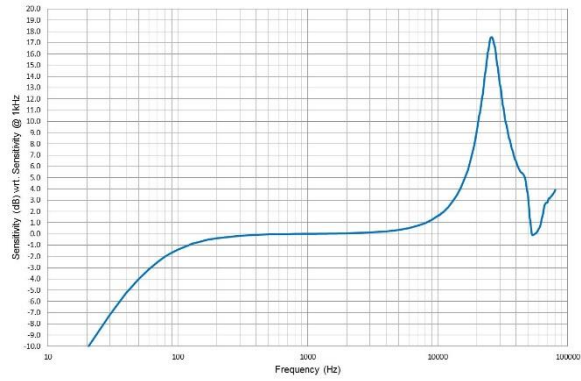
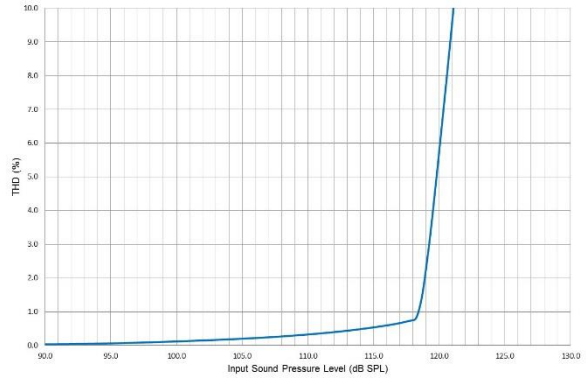
AUDIO INTERFACE TIMING

Figure 1 Digital Microphone Interface Timing
Test Conditions

The following timing information is valid across the full range of recommended operating conditions.

PARAMETER	SYMBOL	MIN	TYP	MAX	UNIT
Digital Microphone Interface Timing					
CLK cycle time	t_{CY}	204		3333	ns
CLK duty cycle		$f_{CLK} \leq 3.072\text{MHz}$	60:40	40:60	
		$f_{CLK} > 3.072\text{MHz}$	52:48	48:52	
CLK rise/fall time				6	ns
DAT enable from rising CLK edge (LRSEL = 1)	t_{L_EN}	24			ns
DAT valid from rising CLK edge (LRSEL = 1)	t_{L_DV}	30		80	ns
DAT disable from falling CLK edge (LRSEL = 1)	t_{L_DIS}			20	ns
DAT enable from falling CLK edge (LRSEL = 0)	t_{R_EN}	24			ns
DAT valid from falling CLK edge (LRSEL = 0)	t_{R_DV}	30		80	ns
DAT disable from rising CLK edge (LRSEL = 0)	t_{R_DIS}			20	ns

Notes:

1. The DAT output is high-impedance when not outputting data; this enables the outputs of two microphones to be connected together with the data from one microphone interleaved with the data from the other. (The microphones must be configured to transmit on opposite channels in this case.)
2. In a typical configuration, the Left channel is transmitted following the rising CLK edge (LRSEL = 1). In this case, the Left channel should be sampled by the receiving device on the falling CLK edge.
3. Similarly, the Right channel is typically transmitted following the falling CLK edge (LRSEL = 0). In this case, the Right channel should be sampled by the receiving device on the rising CLK edge.
4. The WM7236 operating mode is selected according to the CLK frequency; see "Acoustic and Electrical Characteristics" for further details.

TYPICAL PERFORMANCE

Sensitivity vs. Frequency (CLK = 3.072MHz)

THD vs. Sound Pressure Level

APPLICATIONS INFORMATION

RECOMMENDED EXTERNAL COMPONENTS

It is recommended to connect a 0.1µF decoupling capacitor between the VDD and GND pins of the WM7236. A ceramic 0.1µF capacitor with X7R dielectric or better is suitable. The capacitor should be placed as close to the WM7236 as possible.

OPTIMISED SYSTEM RF DESIGN

For optimised RF design please refer to document WAN0278 (Recommended PCB Layout for Microphone RF Immunity in Mobile Cell Phone Applications) for further information.

CONNECTION TO A CIRRUS LOGIC AUDIO CODEC

Cirrus Logic provides a range of audio CODECs incorporating a digital microphone input interface; these support direct connection to digital microphones such as the WM7236.

Stereo connection of two WM7236 digital microphones is illustrated in Figure 2.

Further information on Cirrus Logic audio CODECs is provided in the respective product datasheet, which is available from the Cirrus Logic website.

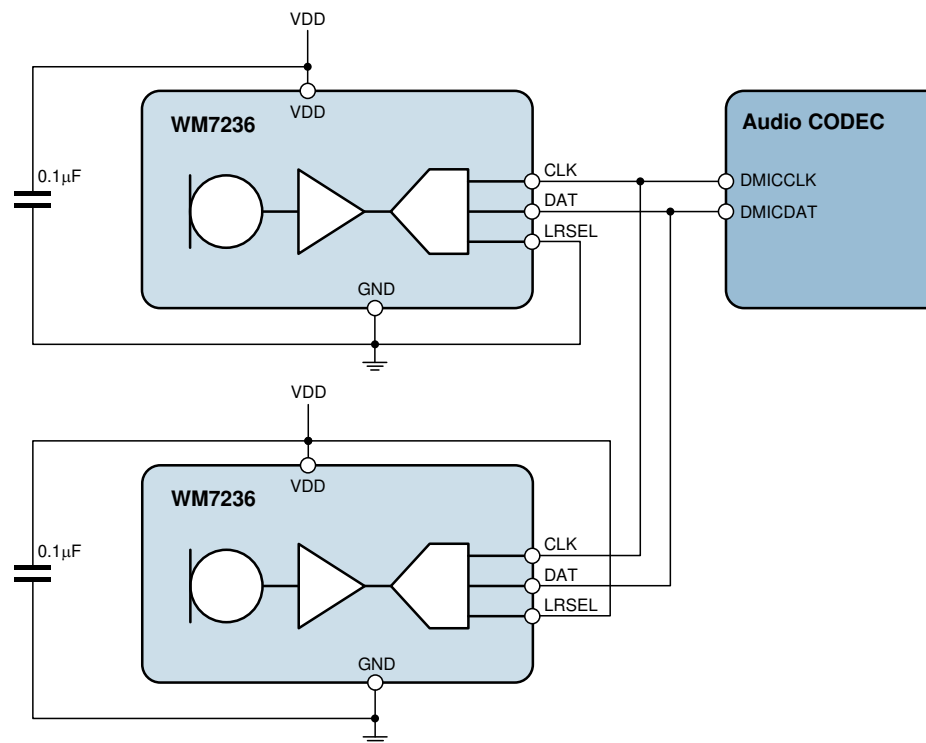


Figure 2 Stereo WM7236 Digital Microphone Connection

PCB LAND PATTERN AND PASTE STENCIL

The recommended PCB Land Pattern and Paste Stencil Pattern for the WM7236 microphone are shown in Figure 3 and Figure 4.

See also Application Note WAN0284 (General Design Considerations for MEMS Microphones) for further details of PCB footprint design.

Full definition of the package dimensions is provided in the “Package Dimensions” section.

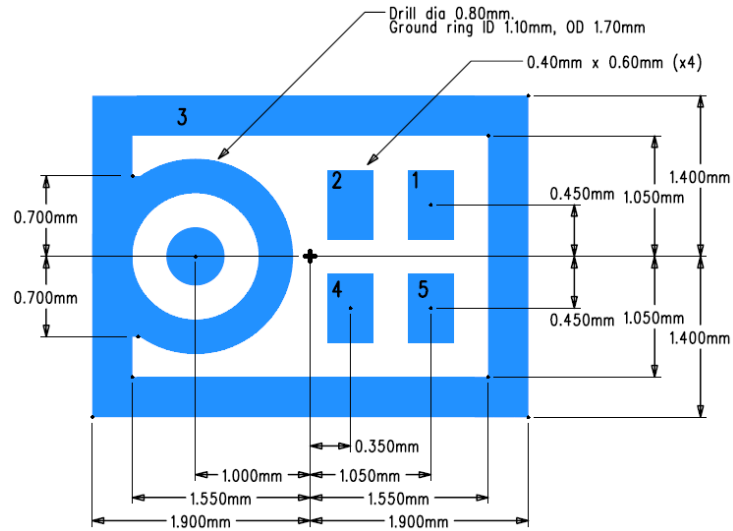


Figure 3 DM116 - PCB Land Pattern, Top View

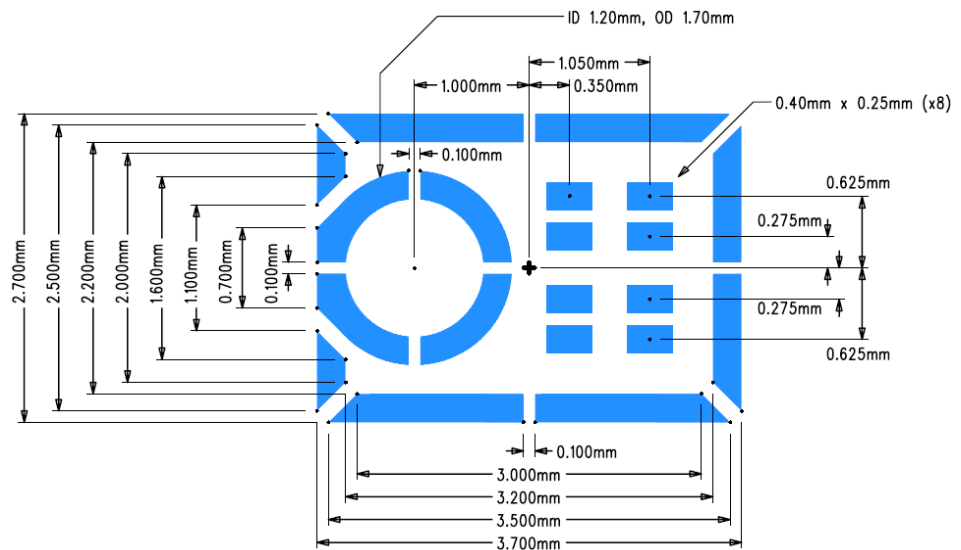
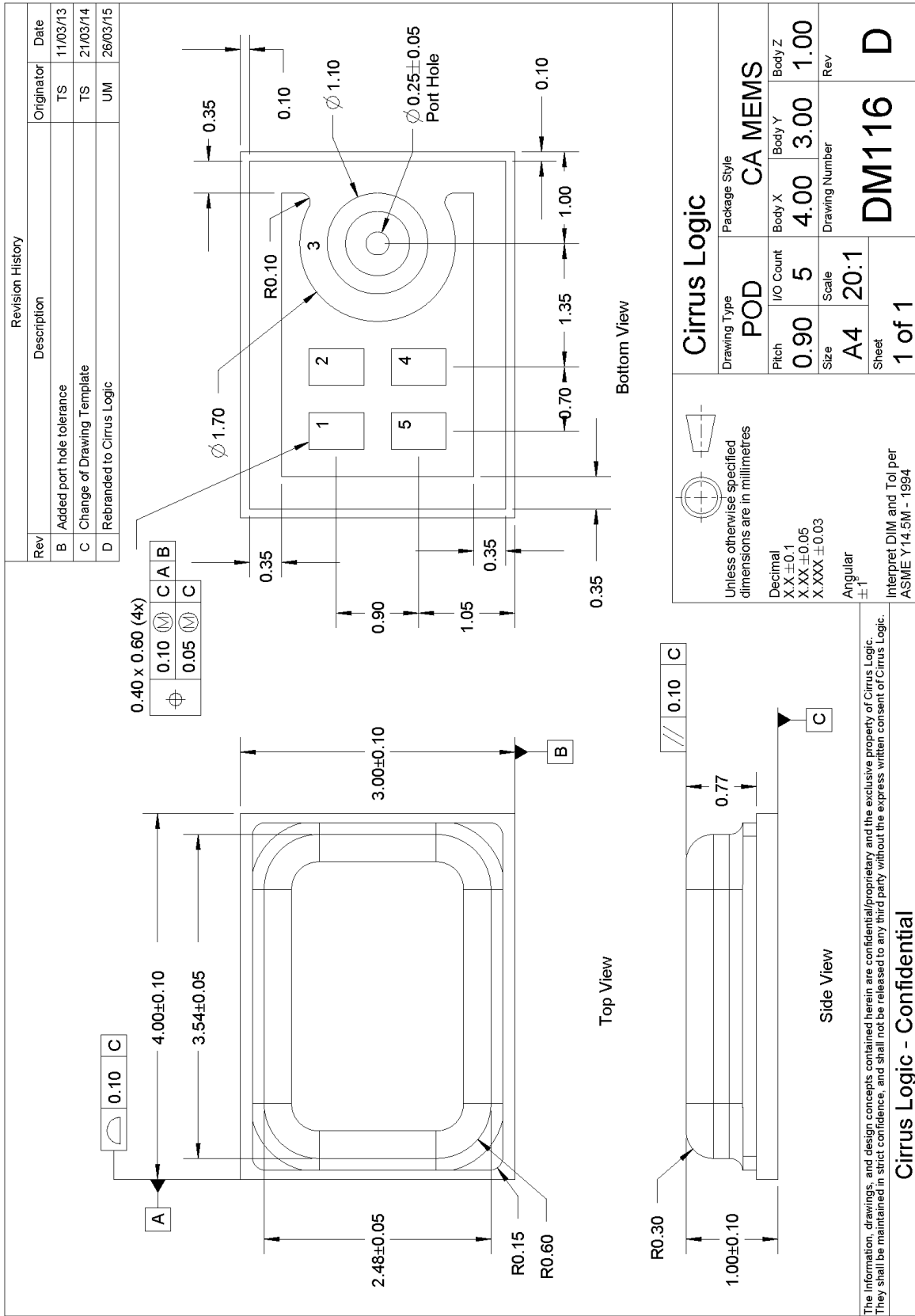


Figure 4 DM116 - Paste Stencil Pattern, Top View

PACKAGE DIMENSIONS



IMPORTANT NOTICE

Contacting Cirrus Logic Support

For all product questions and inquiries, contact a Cirrus Logic Sales Representative.

To find one nearest you, go to www.cirrus.com.

The products and services of Cirrus Logic International (UK) Limited; Cirrus Logic, Inc.; and other companies in the Cirrus Logic group (collectively either "Cirrus Logic" or "Cirrus") are sold subject to Cirrus Logic's terms and conditions of sale supplied at the time of order acknowledgment, including those pertaining to warranty, indemnification, and limitation of liability. Software is provided pursuant to applicable license terms. Cirrus Logic reserves the right to make changes to its products and specifications or to discontinue any product or service without notice. Customers should therefore obtain the latest version of relevant information from Cirrus Logic to verify that the information is current and complete. Testing and other quality control techniques are utilized to the extent Cirrus Logic deems necessary. Specific testing of all parameters of each device is not necessarily performed. In order to minimize risks associated with customer applications, the customer must use adequate design and operating safeguards to minimize inherent or procedural hazards. Cirrus Logic is not liable for applications assistance or customer product design. The customer is solely responsible for its selection and use of Cirrus Logic products. Use of Cirrus Logic products may entail a choice between many different modes of operation, some or all of which may require action by the user, and some or all of which may be optional. Nothing in these materials should be interpreted as instructions or suggestions to choose one mode over another. Likewise, description of a single mode should not be interpreted as a suggestion that other modes should not be used or that they would not be suitable for operation. Features and operations described herein are for illustrative purposes only.

CERTAIN APPLICATIONS USING SEMICONDUCTOR PRODUCTS MAY INVOLVE POTENTIAL RISKS OF DEATH, PERSONAL INJURY, OR SEVERE PROPERTY OR ENVIRONMENTAL DAMAGE ("CRITICAL APPLICATIONS"). CIRRUS LOGIC PRODUCTS ARE NOT DESIGNED, AUTHORIZED OR WARRANTED FOR USE IN PRODUCTS SURGICALLY IMPLANTED INTO THE BODY, AUTOMOTIVE SAFETY OR SECURITY DEVICES, NUCLEAR SYSTEMS, LIFE SUPPORT PRODUCTS OR OTHER CRITICAL APPLICATIONS. INCLUSION OF CIRRUS LOGIC PRODUCTS IN SUCH APPLICATIONS IS UNDERSTOOD TO BE FULLY AT THE CUSTOMER'S RISK AND CIRRUS LOGIC DISCLAIMS AND MAKES NO WARRANTY, EXPRESS, STATUTORY OR IMPLIED, INCLUDING THE IMPLIED WARRANTIES OF MERCHANTABILITY AND FITNESS FOR PARTICULAR PURPOSE, WITH REGARD TO ANY CIRRUS LOGIC PRODUCT THAT IS USED IN SUCH A MANNER. IF THE CUSTOMER OR CUSTOMER'S CUSTOMER USES OR PERMITS THE USE OF CIRRUS LOGIC PRODUCTS IN CRITICAL APPLICATIONS, CUSTOMER AGREES, BY SUCH USE, TO FULLY INDEMNIFY CIRRUS LOGIC, ITS OFFICERS, DIRECTORS, EMPLOYEES, DISTRIBUTORS AND OTHER AGENTS FROM ANY AND ALL LIABILITY, INCLUDING ATTORNEYS' FEES AND COSTS, THAT MAY RESULT FROM OR ARISE IN CONNECTION WITH THESE USES.

This document is the property of Cirrus Logic and by furnishing this information, Cirrus Logic grants no license, express or implied, under any patents, mask work rights, copyrights, trademarks, trade secrets or other intellectual property rights. Any provision or publication of any third party's products or services does not constitute Cirrus Logic's approval, license, warranty or endorsement thereof. Cirrus Logic gives consent for copies to be made of the information contained herein only for use within your organization with respect to Cirrus Logic integrated circuits or other products of Cirrus Logic, and only if the reproduction is without alteration and is accompanied by all associated copyright, proprietary and other notices and conditions (including this notice). This consent does not extend to other copying such as copying for general distribution, advertising or promotional purposes, or for creating any work for resale. This document and its information is provided "AS IS" without warranty of any kind (express or implied). All statutory warranties and conditions are excluded to the fullest extent possible. No responsibility is assumed by Cirrus Logic for the use of information herein, including use of this information as the basis for manufacture or sale of any items, or for infringement of patents or other rights of third parties. Cirrus Logic, Cirrus, the Cirrus Logic logo design, and SoundClear are among the trademarks of Cirrus Logic. Other brand and product names may be trademarks or service marks of their respective owners.

Copyright © 2014–2016 Cirrus Logic, Inc. All rights reserved.

REVISION HISTORY

DATE	REV	DESCRIPTION OF CHANGES	PAGE	CHANGED BY
12/03/14	1.0	Initial Release		MUmM
23/04/14	1.1	PCB Land Pattern and Paste Stencil drawings updated/added	9	PH
28/05/14	2.0	Electrical Noise Floor (Voice Mode) figure updated	5	PH
30/09/14	2.1	Operating frequency range extended Electrical Characteristics updated Performance graphs added	4, 7 1, 5, 6 8	PH
10/08/15	2.2	Operating frequency range amended Electrical Characteristics updated Timing specifications updated Performance graphs updated Package Outline Drawing updated	4 5, 6 8 9 12	PH
13/11/15	3.0	Input capacitance specification updated	6	PH
01/03/16	4.0	Raised to Production status		PH