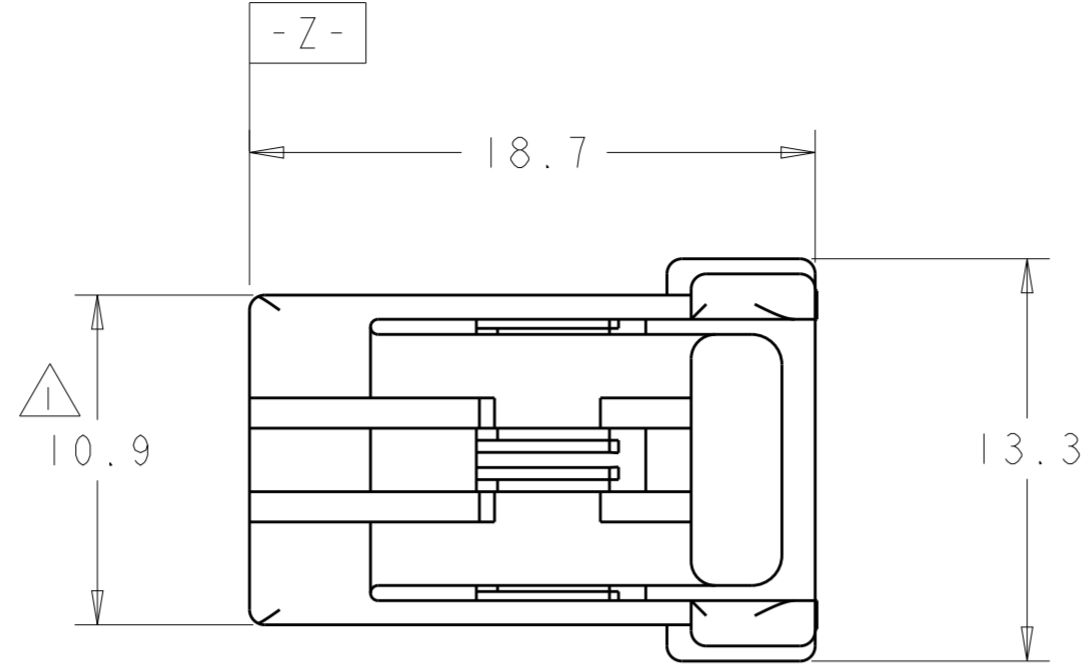
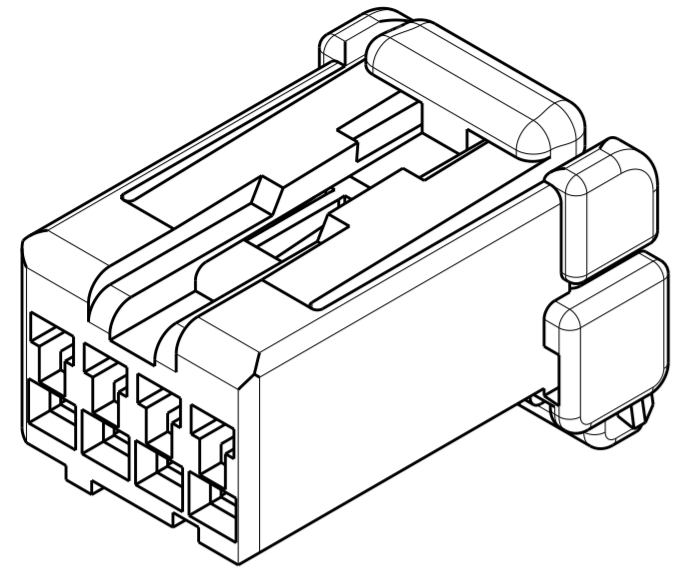
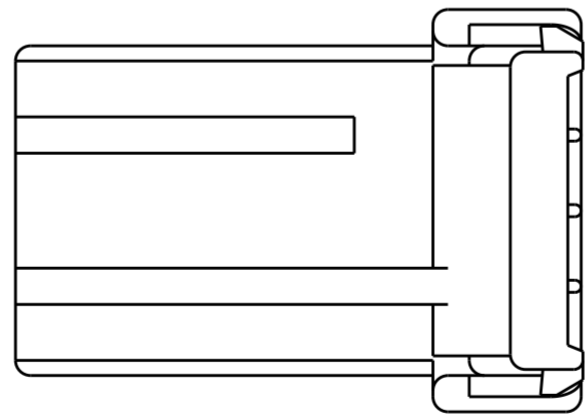
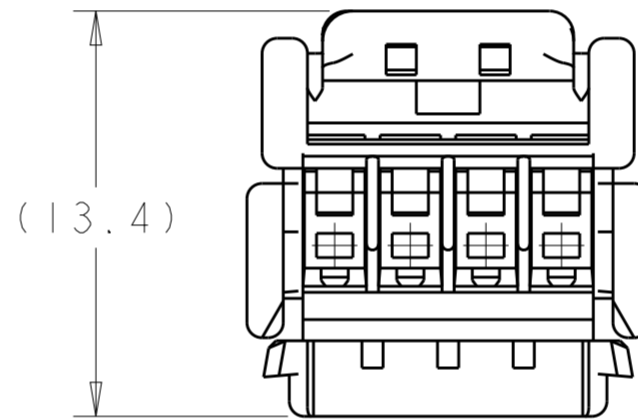
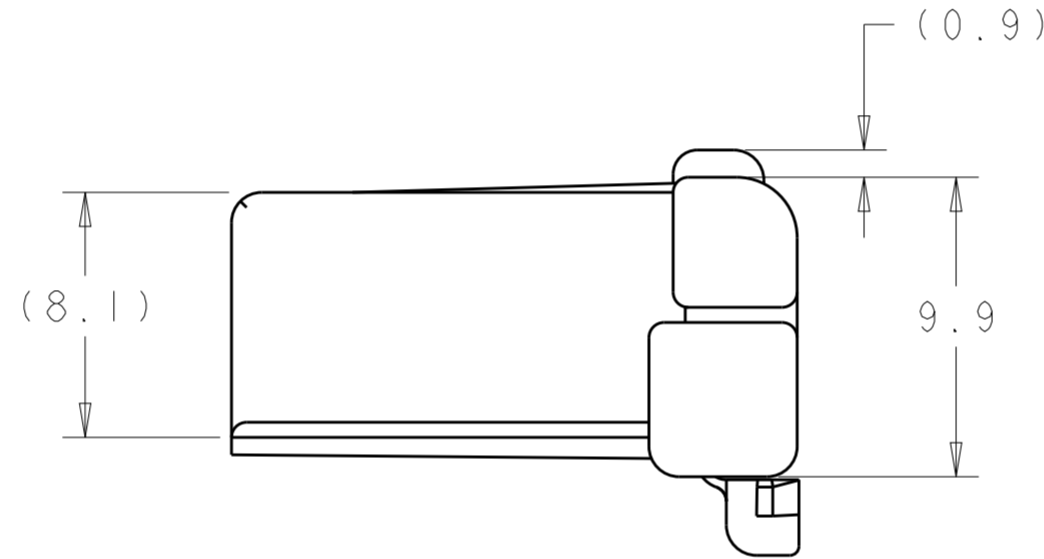
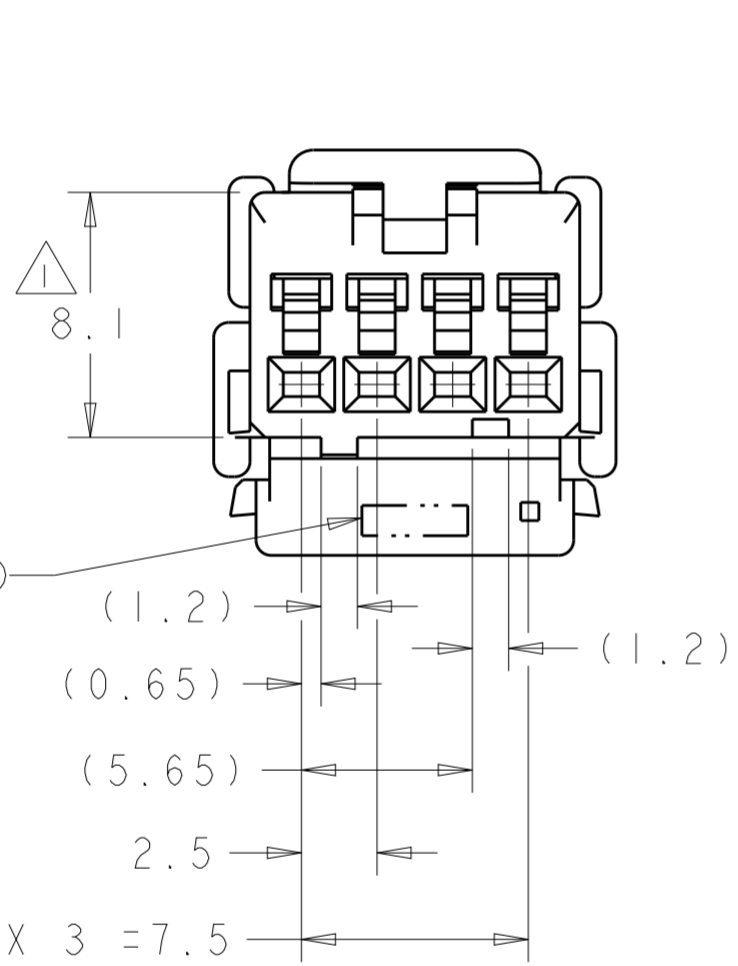


THIS DRAWING IS UNPUBLISHED. RELEASED FOR PUBLICATION 20  
 © COPYRIGHT 20 BY - ALL RIGHTS RESERVED.

LOC	DIST	REVISIONS			
P	LTR	DESCRIPTION	DATE	DWN	APVD
FX	00	A	REVISED PER ECO-13-010895	02JUL2013	DD SA



△ TO BE MEASURED WITHIN 2mm FROM -Z-.  
 2. APPLICABLE CONTACT PART NUMBER: 173681.



PBT	BLACK	1438466-2
MATERIAL	COLOR	PART NUMBER
HOUSING		

THIS DRAWING IS A CONTROLLED DOCUMENT.		DWN R. VESTAL 28OCT2003	STE TE Connectivity	
DIMENSIONS: mm		CHK S. ASHLEY 28OCT2003	NAME PLUG HOUSING, 4 POSITION, LEFT KEYED, .040 SERIES MULTI-LOCK	
TOLERANCES UNLESS OTHERWISE SPECIFIED:		APVD S. ASHLEY 28OCT2003	SIZE CAGE CODE DRAWING NO RESTRICTED TO	
0 PLC ±		PRODUCT SPEC -	A200779 C-1438466	
1 PLC ±0.3		APPLICATION SPEC -	SCALE 4:1 SHEET 1 OF 1 REV A	
2 PLC ±0.30		WEIGHT 1.1 g		
3 PLC ±		CUSTOMER DRAWING		
4 PLC ±				
ANGLES ±°				
FINISH				
SEE TABLE				
SEE TABLE				