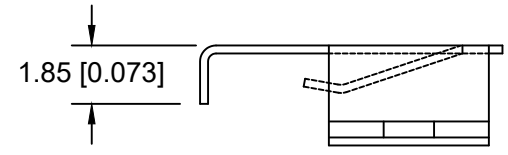
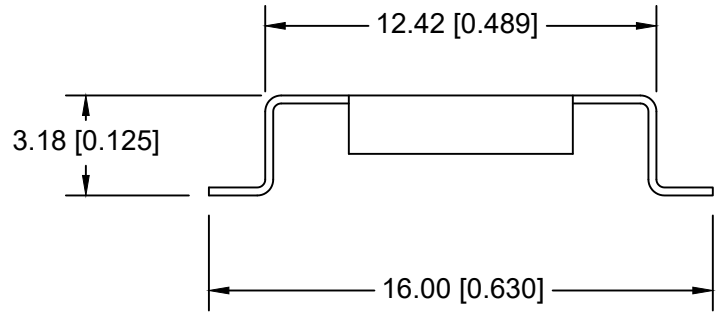
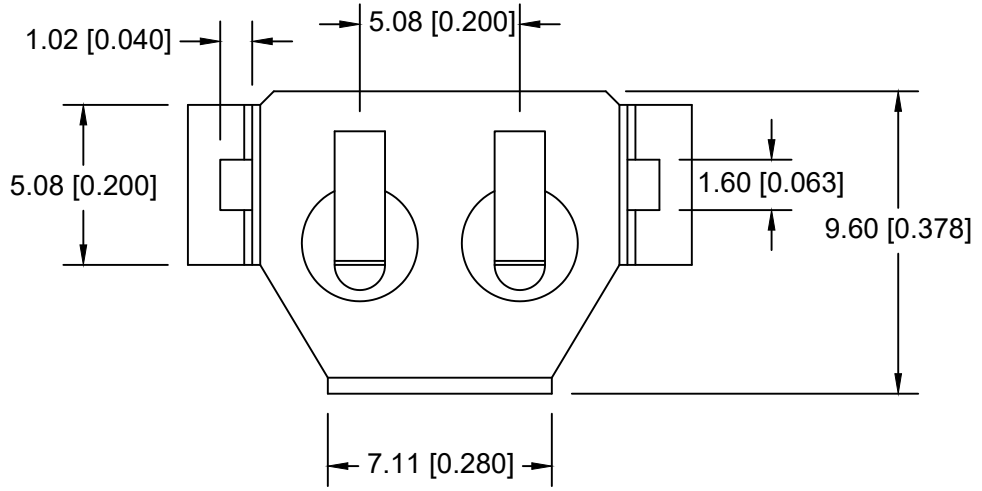



Date	SYM	REVISION RECORD	AUTH	DR.	CK.



NOTES:

1. MATERIAL:
 PHOSPHOR BRONZE, NICKEL PLATED 80-150μ THICKNESS
 ROHS 2 COMPLIANT

Tolerance (Except as noted)	 Memory Protection Devices, Inc 200 Broad Hollow Road, Farmingdale, New York 11735		
		decimal ±.5 (.020)	Scale Drawn By B.S. Approved By T.B.
Fractional ± .8 (.030)	Title LR1120 BATTERY RETAINER		
Angular ± 3°	Date 03/23/18	Drawing Number BK-1120-SM	