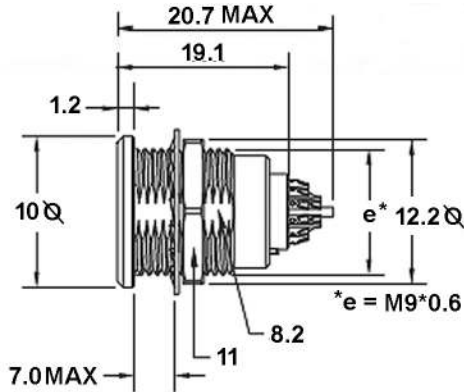


FSG.0B.303.CLL

PUSH-PULL FXIED SOCKET RECEPTACLE

3 CONTACTS, SOLDER



| CONTACT INFO | | DIA mm |
|--------------|--------|------------|
| MALE | FEMALE | |
| | | 0.9 |

| KEY SPECIFICATIONS | |
|----------------------|--------------|
| CONNECTOR SERIES | FSG |
| CONNECTOR SIZE | 0B |
| CONNECTOR GENDER | FEMALE |
| CODING | G |
| LOCKING STYLE | SELF LOCKING |
| ATTACHMENT METHOD | SOLDER |
| IP RATING | IP 50 |
| STANDARD MATE SERIES | PSG |

| GENERAL SPECIFICATIONS | |
|-------------------------|----------------------------------|
| TEMPERATURE RANGE | -55 DEG C - + 200 DEG C |
| INSULATOR MATERIAL | PEEK |
| SOLDER CONTACT MATERIAL | COPPER ALLOY, GOLD PLATED |
| CONNECTOR BODY MATERIAL | BRASS, NICKEL PLATED |
| COUPLING NUT, SCREW | BRASS, CHROME PLATED |
| INSULATION RESISTANCE | EQUAL OR GREATER THAN 100 M-OHMS |