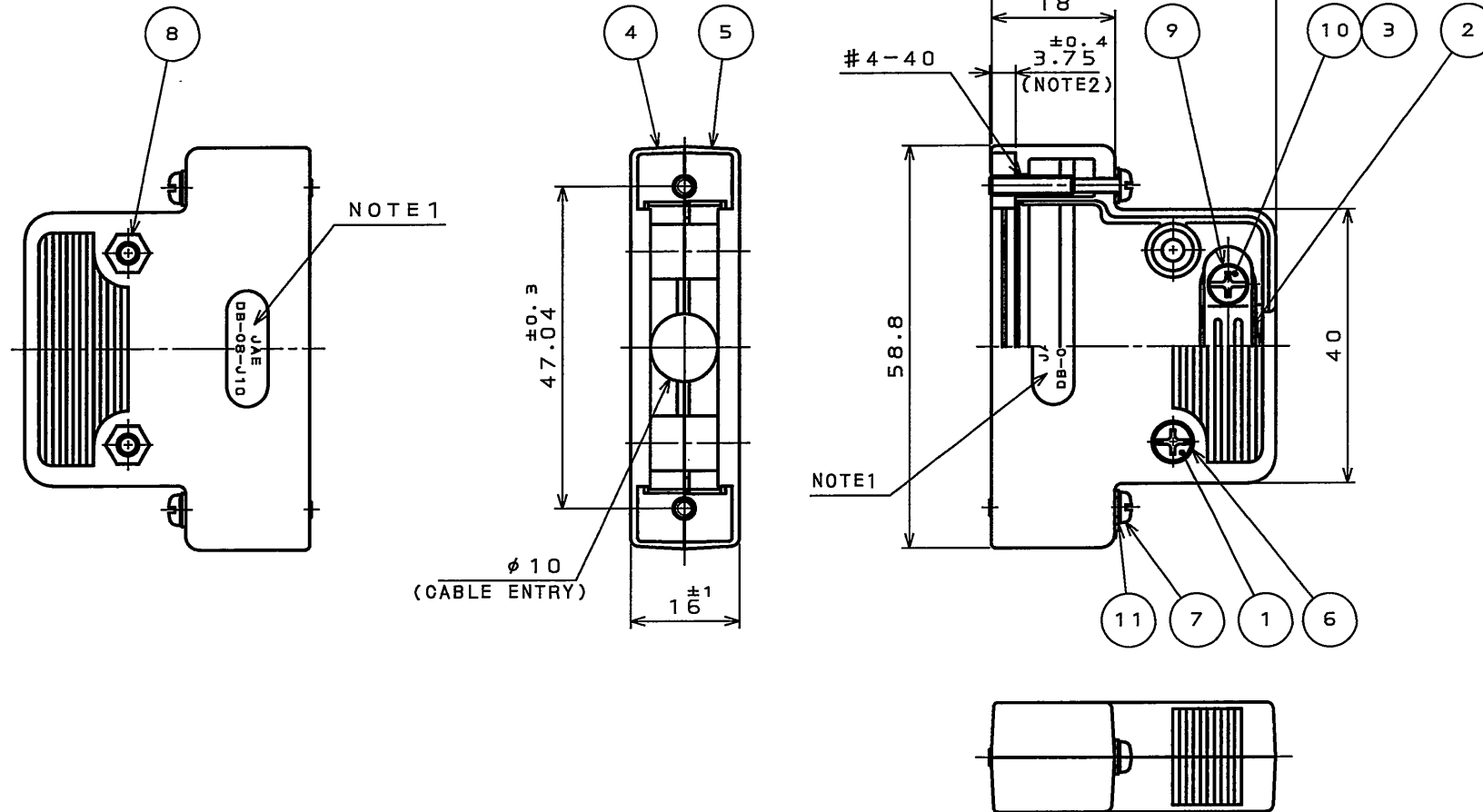


SJ103450  
(ON DRAWING)台架図

| 版数<br>REV. | 年月日<br>DATE | DCN NO. | 変更内容<br>DESCRIPTION | 製図<br>DR. | 担当<br>CHK. | 査閲<br>APPD. | 承認<br>APPD. |
|------------|-------------|---------|---------------------|-----------|------------|-------------|-------------|
|            |             |         |                     |           |            |             |             |
|            |             |         |                     |           |            |             |             |



| 符号<br>NO. | 名称<br>DESCRIPTION                         | 個数<br>QTY. | 材料<br>MATERIAL | 仕上<br>FINISH  | 備考<br>REMARKS |
|-----------|---|------------|----------------|---------------|---------------|
| 11        | FLAT WASHER                               | 2          | STEEL          | NICKEL PLATED | M2.6          |
| 10        | SCREW(SLOTTED AND<br>GROSS RECESSED HEAD) | 2          | STEEL          | NICKEL PLATED | M3X6          |
| 9         | SPRING LOCK WASHER                        | 2          | STEEL          | NICKEL PLATED | M3            |
| 8         | HEX NUT                                   | 2          | STEEL          | NICKEL PLATED | M3            |
| 7         | LOCKING SCREW                             | 2          | STEEL          | NICKEL PLATED |               |
| 6         | FLAT WASHER                               | 2          | STEEL          | NICKEL PLATED | M3            |
| 5         | HOOD B                                    | 1          | ABS            | NICKEL PLATED |               |
| 4         | HOOD A                                    | 1          | ABS            | NICKEL PLATED |               |
| 3         | INSERT                                    | 2          | COPPER ALLOY   | NICKEL PLATED |               |
| 2         | CLAMP SADDLE                              | 1          | STEEL          | NICKEL PLATED |               |
| 1         | SCREW(SLOTTED AND<br>GROSS RECESSED HEAD) | 2          | STEEL          | NICKEL PLATED | M3X12         |

NOTE1.JAE LOGO AND PRODUCT NAME, EXCEPT 「-F2-1R」 MARK,  
IS TO BE INDICATED AT THE POSITION AS SHOWN.

2.THIS DIMENSION MEANS THE PROTRUDED AMOUNTS OF THE SCREW.

注1.図示の位置に社標及び、品名を表示する。  
ただし、「-F2-1R」は表示されない。  
2.この寸法はネジの出張り量を表す。

|                       |  |                              |                       |  |                   |
|-----------------------|--|------------------------------|-----------------------|--|-------------------|
| 仕様書(SPECIFICATION)    | 第1版(ORIGINAL DATE)<br>13.Jul.2005              | 尺度(SOALE)<br>1:1             | シリーズ(SERIES)<br>D-sub | 日本航空電子工業株式会社<br>JAPAN AVIATION<br>ELECTRONICS<br>INDUSTRY, LTD.<br>図面番号(DRAWING NO.)<br>SJ103450 | 版数<br>(REV.)<br>1 |
| 公差(GENERAL TOLERANCE) | 製図<br>DR.                                      | 名称(TITLE)<br>DB-C8-J10-F2-1R |                       |  |                   |
| 寸法(DIMENSION)         | 担当<br>CHK.<br>Y.TAKAGI                         | 製図<br>DR.                    |                       |  |                   |
| 角度(ANGLES)            | 査閲<br>APPD.<br>承認<br>APPD.<br><i>J. Kubota</i> | 質量(MASS)                     |                       |  |                   |

