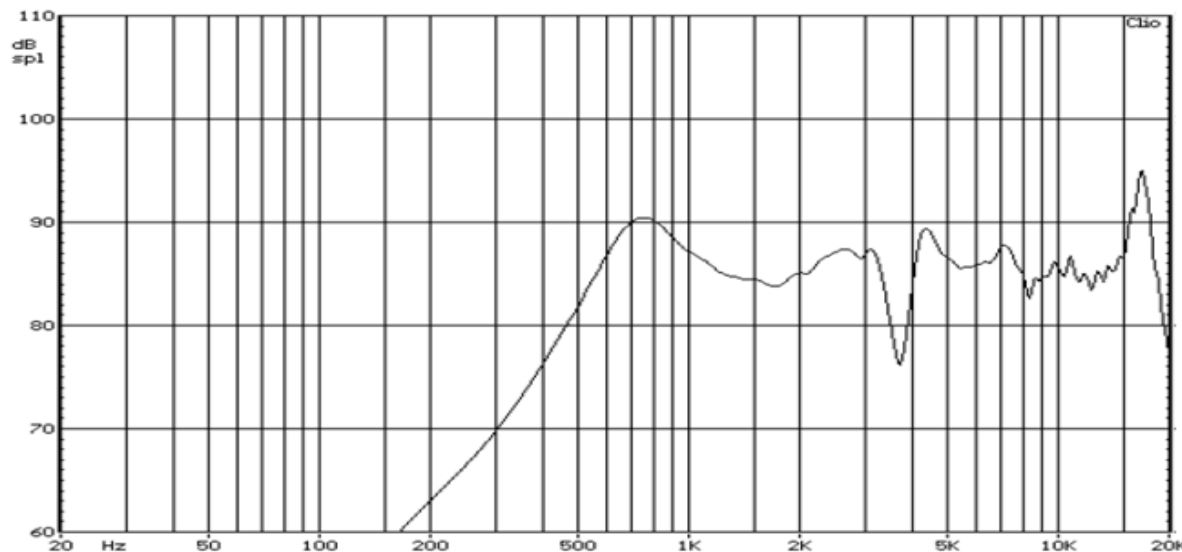


MAIN APPLICATION	TYPE	MAGNET	
Multimedia	40x20mm	Material NdBFe	Magnet Size (Round) Ø11x2mm

ITEM	SPECIFICATIONS	VALUES	TEST CONDITIONS
1	Dimensions	40x20mm	per mechanical Drawings
2	Impedance	4Ω ±15%	2kHz / 1.0V
3	Nominal Power	1.0 Watts	
4	Max Power	2.0 Watts	
5	Resonant Frequency	700Hz ±20%	1.0V
6	Sensitivity (S.P.L.)	86dB ±3dB	1W/0.5m (1kHz)
7	Frequency Response	700Hz to 10KHz	1W/0.5m; Tolerance Max 20dB
8	THD	5% max	2kHz 1W/0.5m
9	Storage Temperature	-25°C to +80°C guaranteed range for transportation & storage	
10	Polarity	Membrane move forward when positive DC is applied to the '+' terminal	

ITEM	TEST	TEST CONDITIONS	RESULT
11	Rub & Buzz	Rated Power Sin wave (speaker frequency range)	No Buzzes or Rattles.
12	High Voltage Resistance	100VAC / 1mn between terminals and frame.	Must be normal
13	Insulation Resistance	100VDC between terminals and frame.	≥ 1MΩ
14	Load	White Noise at Rated Power for 96h	After 1 hour of rest at room ambient conditions, speakers must meet specs items 2, 5, 6.
15	High Temp.	+70±3°C for 96h (random 20%-50%RH)	
16	Low Temp.	-25±3°C for 96h (random 20%-50%RH)	
17	Humidity	+40±3°C ambient and 90%RH for 96h	

Typical Frequency Response

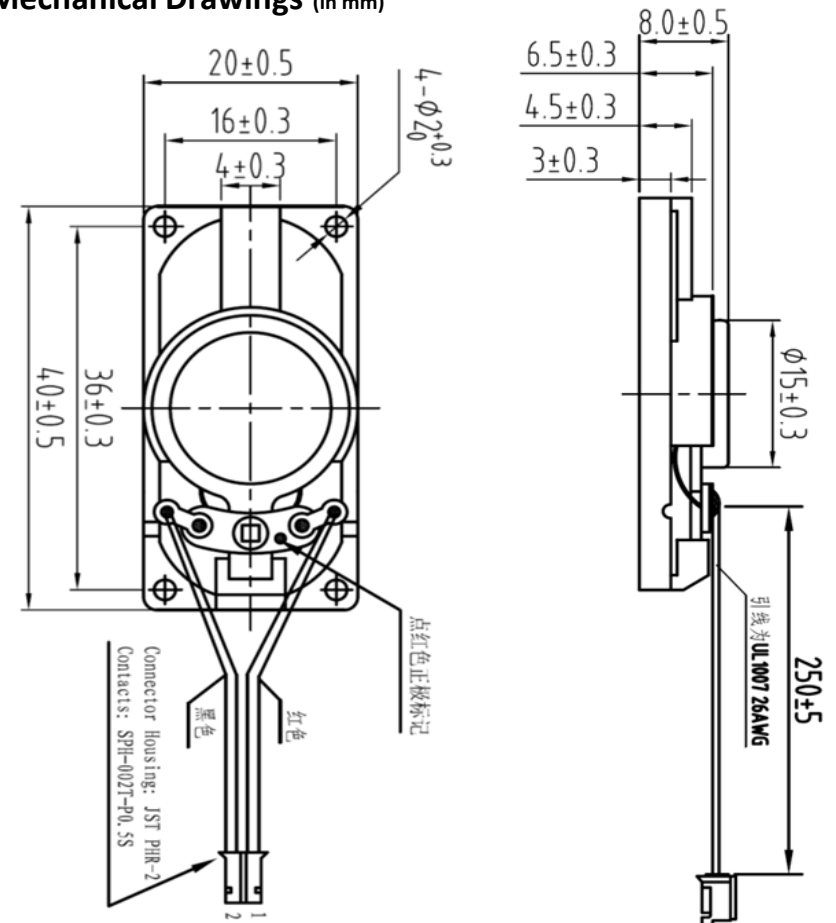


Measured on axis at a distance of 0.5m with 1W input power

GASKET	MEMBRANE	BASKET	WEIGHT	REMARKS
-	Cloth	ABS	7.2 ±0.5g	Cable 250mm + Connector

PACKAGING	SPECIFICATIONS	
Carton size:	475x335x340mm	
Qty/Carton:	1000 (25 layers of 40pcs)	
Gross Weight:	10Kg	

Mechanical Drawings (in mm)



Part n°			
SOR4020C08Z4			
REV	DATE	SHEET	RoHS Compliance
0.1	01/08/2017	1 of 1	Yes