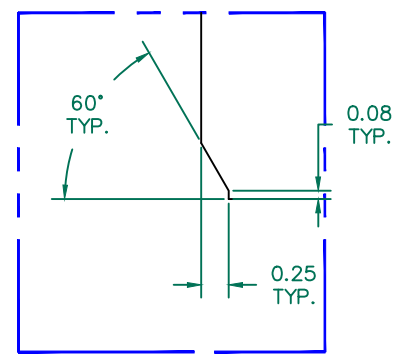


**ELECTRICAL TESTING**

TEST	NET Z	NET Z
# TURNS	1 LOOP	1 LOOP
AWG	24	24
FREQUENCY	25 MHz	100 MHz
NOMINAL	54 Ω	83 Ω
MINIMUM	-	66 Ω



DETAIL "A"  
SCALE: 15 : 1

- NOTES:
1. Cosmetic specification refer to WI-QA-015.
  2. TEST Z WITH ONE TURN PASS THROUGH 1ST HOLE.
  3. PARTS TO BE TUMBLED FOR REMOVE SHARP EDGES.

**FERRITE CORE DIMENSIONS (SPEC):**

A	28.19 [1.110]	+ 0.45 [.018]
B	6.60 [.260]	+ 0.30 [.012]
C	9.53 [.375]	+ 0.30 [.012]
D	3.30 [.130]	+ 0.20 [.008]
E	4.32 [.170]	Ref.

DIMENSIONS ARE IN mm [INCHES].				This print is the property of Laird Tech. and is loaned in confidence subject to return upon request and with the understanding that no copies shall be made without the written consent of Laird Tech. All rights to design or invention are reserved.		<b>Laird</b>	
PROJECT/PART NUMBER:	28N1110-000	REV	A	PART TYPE:	BALUN	DRAWN BY: Jcai	
DATE:	04/18/2019	SCALE:	3:1	MATERIAL:		FERRITE	
REV	A	DESCRIPTION	NEW RELEASE	DATE	04/18/2019	CAD #	Jcai
REV		DESCRIPTION		DATE		INT	