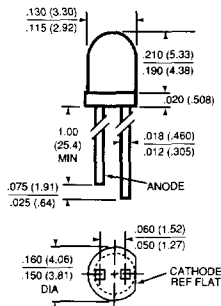
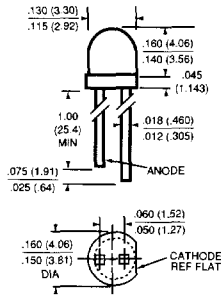


### 3 mm (T-1 AND T-100) LED LAMPS

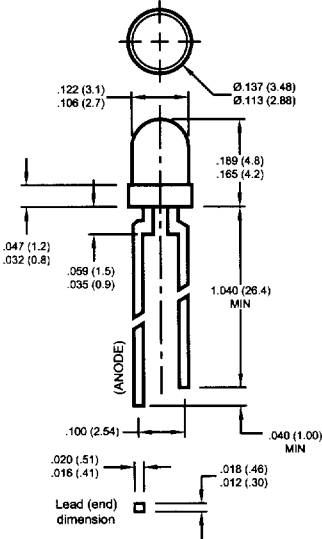
T-1 Lamps										
Part Number	Source Color	Wave-length $\lambda_p$ (nm)	Lens Color	Typical Viewing Angle	Forward Voltage VF(V)		Luminous Intensity IV(mcd)		Notes	
					typ	max	min	typ		
MV5074C		660	Red Diffused	70°	1.6	2.0	0.7	2.5	4	
MV5075C		660	Red Diffused	85°	1.6	2.0	0.6	1.5	4	
MV5774C		635	Red Diffused	85°	2.0	3.0	1.5	9.0	4	
MV5474C		565	Green Diffused	85°	2.2	3.0	1.2	9.0	4	
MV5374C	Yellow	585	Yellow Diffused	85°	2.1	3.0	1.5	9.0	4	



T-1 Low Profile Lens										
Part Number	Source Color	Wave-length $\lambda_p$ (nm)	Lens Color	Typical Viewing Angle	Forward Voltage VF(V)		Luminous Intensity IV(mcd)		Notes	
					typ	max	min	typ		
MV5077C		660	Red Diffused	180°	1.6	2.0	0.3	1.8	4	
MV5777C		635	Red Diffused	180°	2.0	3.0	1.0	7.0	4	
MV5477C		565	Green Diffused	180°	2.2	3.0	1.0	7.0	4	
MV5377C	Yellow	585	Yellow Diffused	180°	2.1	3.0	1.0	7.0	4	



T-100 Clear Lens										
Part Number	Source Color	Wave-length $\lambda_p$ (nm)	Lens Color	Typical Viewing Angle	Forward Voltage VF(V)		Luminous Intensity IV(mcd)		Notes	
					typ	max	min	typ		
HLMP-1320	Clear	635	Pale Orange Tint	45°	2.0	3.0	6.0	12.0	3	
HLMP-1321		635	Red Clear	45°	2.0	3.0	6.0	12.0	3	
HLMP-1340		635	Pale Orange Tint	45°	2.2	3.0	24	60	4	
MV5760		635	Pale Orange Tint	45°	2.0	3.0	6.0	12.0	3	
MV57620		635	Red Clear	45°	2.0	3.0	1.5	2.0	3	
MV57621		635	Red Clear	45°	2.0	3.0	3.0	4.0	3	
MV57622		635	Red Clear	45°	2.0	3.0	6.0	12.0	3	
HLMP-1520		565	Pale Green Tint	45°	2.1	3.0	6.0	12.0	4	
HLMP-1521		565	Green Clear	45°	2.1	3.0	6.0	12.0	4	
HLMP-1540		565	Pale Green Tint	45°	2.2	3.0	24	60	4	
MV5460		565	Pale Green Tint	45°	2.1	3.0	6.0	12.0	4	
MV54624		565	Green Clear	45°	2.1	3.0	6.0	12.0	4	
HLMP-1420		Yellow	585	Pale Yellow Tint	45°	2.1	3.0	6.0	12.0	3
HLMP-1440			585	Pale Yellow Tint	45°	2.2	3.0	24	60	4
MV5360	585		Pale Yellow Tint	45°	2.1	3.0	6.0	12.0	3	
MV53621	585		Yellow Clear	45°	2.1	3.0	3.0	4.0	3	
MV53622	585		Yellow Clear	45°	2.1	3.0	6.0	8.0	3	
HLMP-K105	Clear	660	Red Clear	35°	1.8	2.2	35	70	4	
HLMP-K640		560	Water Clear	45°	2.2	3.0	4.2	3.0	4	



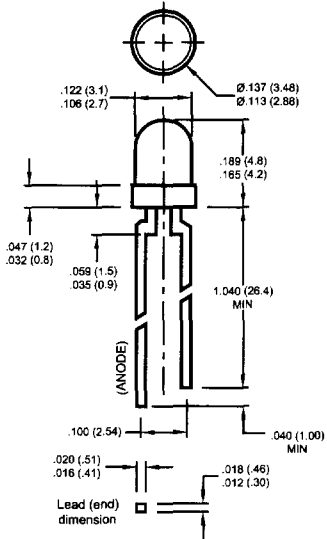
**Notes:**

- 3.  $V_F$  &  $I_V$  @  $I_F = 10$  mA.
  - 4.  $V_F$  &  $I_V$  @  $I_F = 20$  mA.
- HER = High Efficiency Red.

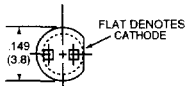
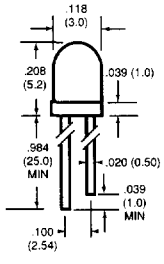
### 3 mm (T-1 AND T-100) LED LAMPS

#### T-100 Diffused Lens

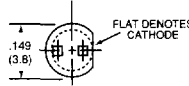
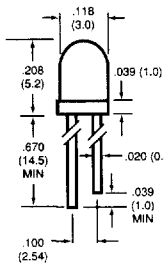
Part Number	Source Color	Wave-length $\lambda_p$ (nm)	Lens Color	Typical Viewing Angle	Forward Voltage VF(V)		Luminous Intensity IV(mcd)		Notes	
					typ	max	min	typ		
MV50640	Red	660	Red Diffused	60°	1.6	2.0	0.5	1.5	4	
HLMP-1300		635	Red Diffused	60°	2.0	3.0	1.0	2.0	3	
HLMP-1301		635	Red Diffused	60°	2.0	3.0	2.0	2.5	3	
HLMP-1302		635	Red Diffused	60°	2.2	3.0	3.0	4.0	3	
HLMP-1385		635	Red Diffused	60°	2.0	3.0	8.6	11.0	3	
MV57640		635	Red Diffused	60°	2.0	3.0	1.0	2.0	3	
MV57641		635	Red Diffused	60°	2.0	3.0	2.0	2.5	3	
MV57642		635	Red Diffused	60°	2.0	3.0	3.0	4.0	3	
HLMP-1503		Green	565	Green Diffused	75°	2.2	3.0	2.0	5.0	4
HLMP-1523			565	Green Diffused	75°	2.2	3.0	6.0	10.0	4
HLMP-1585	565		Green Diffused	75°	2.2	3.0	4.2	8.5	3	
MV54643	565		Green Diffused	75°	2.2	3.0	2.0	5.0	4	
MV54644	565		Green Diffused	75°	2.2	3.0	6.0	10.0	4	
MV53640	Yellow	585	Yellow Diffused	70°	2.1	3.0	1.0	2.0	3	
MV53641		585	Yellow Diffused	70°	2.1	3.0	1.5	3.0	3	
MV53642		585	Yellow Diffused	70°	2.1	3.0	2.5	4.5	3	
HLMP-1485		585	Yellow Diffused	70°	2.1	3.0	5.7	10.0	3	
HLMP-K101	Black	660	Red Diffused	60°	1.8	2.2	22	45	4	
HLMP-K600		555	Green Diffused	90°	2.1	2.7	1.0	4.5	3	
HLMP-K400		612	Orange Diffused	90°	1.9	2.4	1.0	4.0	3	
HLMP-K401					1.9	2.4	2.0	5.0	3	
HLMP-K402					1.9	2.4	3.0	6.5	3	



T-100 Industrial Standard Lamp - Long Leads										
Part Number	Source Color	Wave-length $\lambda_p$ (nm)	Lens Color	Typical Viewing Angle	Forward Voltage VF(V)		Luminous Intensity IV(mcd)		Notes	
					typ	max	min	typ		
QL202GD		565	Green Diffused	70°	2.1	2.8	1.1	6.0	3	
QL202HD		697	Red Diffused	70°	2.1	2.8	0.5	1.6	3	
QL202ID		635	Red Diffused	70°	2.0	2.8	1.1	6.0	3	
QL202YD	Yellow	585	Yellow Diffused	70°	2.0	2.8	1.1	4.5	3	
QL202GT		565	Green Clear	32°	2.1	2.8	3.5	15.0	3	
QL202HT		697	Red Clear	32°	2.1	2.8	2.5	10.0	3	
QL202IT		635	Red Clear	32°	2.0	2.8	3.5	17.0	3	
QL202YT	Yellow	585	Yellow Clear	32°	2.0	2.8	3.5	15.0	3	



T-100 Industrial Standard Lamp - Short Leads										
Part Number	Source Color	Wave-length $\lambda_p$ (nm)	Lens Color	Typical Viewing Angle	Forward Voltage VF(V)		Luminous Intensity IV(mcd)		Notes	
					typ	max	min	typ		
QL205GD		565	Green Diffused	70°	2.1	2.8	1.1	6.0	3	
QL205HD		697	Red Diffused	70°	2.1	2.8	0.5	1.6	3	
QL205ID		635	Red Diffused	70°	2.0	2.8	1.1	6.0	3	
QL205YD	Yellow	585	Yellow Diffused	70°	2.0	2.8	1.1	4.5	3	
QL205GT		565	Green Clear	32°	2.1	2.8	3.5	15.0	3	
QL205HT		697	Red Clear	32°	2.1	2.8	2.5	10.0	3	
QL205IT		635	Red Clear	32°	2.0	2.8	3.5	17.0	3	
QL205YT	Yellow	585	Yellow Clear	32°	2.0	2.8	3.5	15.0	3	



**Notes:**

- 3.  $V_F$  &  $I_V$  @  $I_F = 10$  mA.
  - 4.  $V_F$  &  $I_V$  @  $I_F = 20$  mA.
- HER = High Efficiency Red.