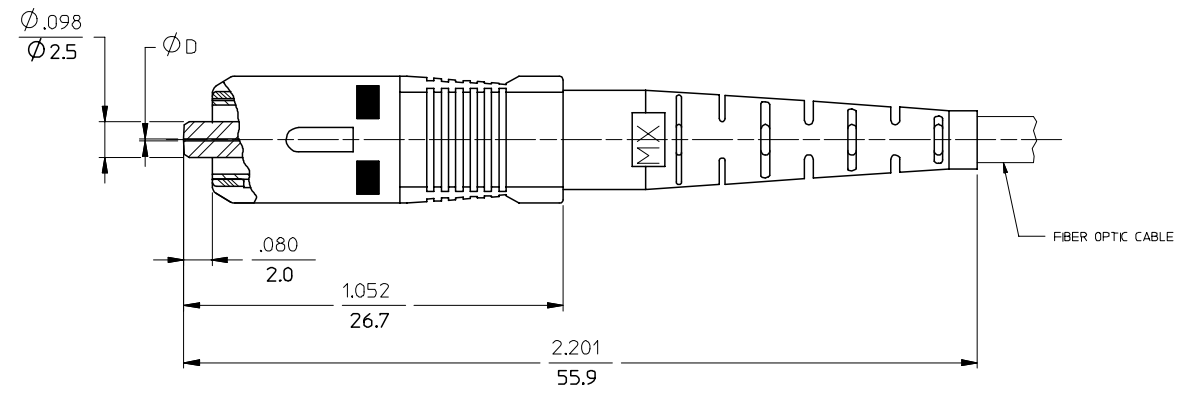
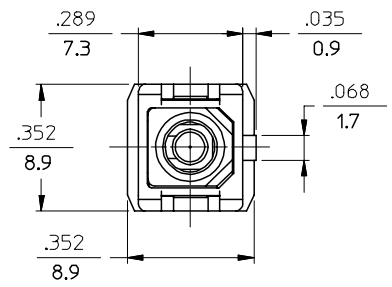


13 12 11 10 9 8 7 6 5 4 3 2 1

J
I
H
G
F
E
D
C
B
A



NOTES:

- 1. ALL DIMENSIONS ARE FOR REFERENCE ONLY.
- *2. P/NS 106032-5020, 106032-0140, 106032-5310, 106032-5990 AND 106032-0910 ARE BULK PACKED IN QUANTITIES OF 100 pcs.

| | | | | | | | |
|---|-------------------------------|---|---------|---|---|----------------------|------------------------|
| ENTER DESCRIPTION EC NO: MF2007-0445 DRAWN BY: RPACIFICI CHKD: RPACIFICI APPR: JGUMIN DATE: 2007/01/12 DATE: 2007/01/15 | QUALITY SYMBOLS ▽=0 ▽=0 | GENERAL TOLERANCES (UNLESS SPECIFIED) | | DIMENSION STYLE IN/MM | SCALE 4:1 | DESIGN UNITS INCH | THIRD ANGLE PROJECTION |
| | | 4 PLACES ± --- ± --- 3 PLACES ± --- ± --- 2 PLACES ± --- ± --- 1 PLACE ± --- ± --- | mm INCH | DRAWN BY: RPACIFICI DATE: 2005/12/22 | TITLE SC CONNECTOR (TUNABLE) | | |
| | | ANGULAR ±1/2° | | CHECKED BY: _____ DATE: _____ | MOLEX INCORPORATED | | |
| | | DRAFT WHERE APPLICABLE MUST REMAIN WITHIN DIMENSIONS | | APPROVED BY: _____ DATE: _____ | MATERIAL NO. _____ DOCUMENT NO. SD-106032-XXX0 SHEET NO. 1 OF 3 | | |

12 11 10 9 8 7 6 5 4 3 2 1

| 10 | 9 | 8 | 7 | 6 | 5 | 4 | 3 | 2 | 1 | | |
|---------------|--------|------------|------------------|------------------|------------------|---------------|--------|------------------|---------------|----------------|------------------|
| CONNECTOR P/N | Ø (Hm) | BOOT COLOR | HOUSING COLOR | CONNECTOR TYPE | CABLE (mm) | CONNECTOR P/N | Ø (Hm) | BOOT COLOR | HOUSING COLOR | CONNECTOR TYPE | CABLE (mm) |
| 106032-0000 | 127 | BLUE | BLUE | MULTIMODE | 3 | 106032-3000 | 128 | BLUE | BLUE | MULTIMODE | 3 |
| 106032-0900 | | | | | 2.0 & 1.6 DUPLEX | 106032-3900 | | | | | 2.0 & 1.6 DUPLEX |
| 106032-0100 | | | | | 1.6 SIMPLEX | 106032-3100 | | | | | 1.6 SIMPLEX |
| 106032-0050 | | | | | 3 | 106032-3060 | | | | | 3 |
| 106032-0950 | | WHITE | BEIGE | | 2.0 & 1.6 DUPLEX | 106032-3960 | | 2.0 & 1.6 DUPLEX | | | |
| 106032-0150 | | | | | 1.6 SIMPLEX | 106032-3160 | | 1.6 SIMPLEX | | | |
| 106032-0060 | | | | | 3 | 106032-3050 | | 3 | | | |
| 106032-0910* | | | | | 2.0 & 1.6 DUPLEX | 106032-3950 | | 2.0 & 1.6 DUPLEX | | | |
| 106032-0960 | | BEIGE | BEIGE | | 1.6 SIMPLEX | 106032-3150 | | 1.6 SIMPLEX | | | |
| 106032-0140* | | | | | 3 | 106032-3080 | | 3 | | | |
| 106032-0160 | | | | | 2.0 & 1.6 DUPLEX | 106032-3980 | | 2.0 & 1.6 DUPLEX | | | |
| 106032-0080 | | | | | 1.6 SIMPLEX | 106032-3180 | | 1.6 SIMPLEX | | | |
| 106032-0980 | RED | RED | 2.0 & 1.6 DUPLEX | 106032-3070 | 3 | | | | | | |
| 106032-0180 | | | 1.6 SIMPLEX | 106032-3970 | 2.0 & 1.6 DUPLEX | | | | | | |
| 106032-0070 | | | 3 | 106032-3170 | 1.6 SIMPLEX | | | | | | |
| 106032-0970 | | | 2.0 & 1.6 DUPLEX | | | | | | | | |
| 106032-0170 | BLACK | BLACK | 1.6 SIMPLEX | | | | | | | | |
| 106032-2000 | | | 3 | | | | | | | | |
| 106032-2900 | | | 2.0 & 1.6 DUPLEX | | | | | | | | |
| 106032-2100 | | | 1.6 SIMPLEX | | | | | | | | |
| 106032-2050 | 125.5 | WHITE | BLUE | 3 | | | | | | | |
| 106032-2950 | | | | 2.0 & 1.6 DUPLEX | | | | | | | |
| 106032-2150 | | | | 1.6 SIMPLEX | | | | | | | |
| 106032-2080 | | | | 3 | | | | | | | |
| 106032-2980 | RED | RED | RED | 2.0 & 1.6 DUPLEX | | | | | | | |
| 106032-2180 | | | | 1.6 SIMPLEX | | | | | | | |
| 106032-2070 | | | | 3 | | | | | | | |
| 106032-2970 | | | | 2.0 & 1.6 DUPLEX | | | | | | | |
| 106032-2170 | BLACK | BLACK | BLACK | 1.6 SIMPLEX | | | | | | | |
| | | | | | | | | | | | |
| | | | | | | | | | | | |
| | | | | | | | | | | | |

| | | | | | | | | |
|---|--|---------------------------------------|---|-----------------------------|-----------------|------------------------------|-------------------|------------------------|
| ENTER DESCRIPTION EC NO: MF2007-0445 DRWNGKPEVNER 2007/01/12 CHKD: 2007/01/12 APPR: IGUMIN 2007/01/15 REV B1 | QUALITY SYMBOLS | GENERAL TOLERANCES (UNLESS SPECIFIED) | | DIMENSION STYLE IN/MM | | SCALE 4:1 | DESIGN UNITS INCH | THIRD ANGLE PROJECTION |
| | ▽=0 | mm | INCH | DRAWN BY RPACIFICI | DATE 2005/12/22 | TITLE SC CONNECTOR (TUNABLE) | | |
| | ▽=0 | 4 PLACES ± --- ± --- | 3 PLACES ± --- ± --- | CHECKED BY | DATE | APPROVED BY | | |
| | | 2 PLACES ± --- ± --- | 1 PLACE ± --- ± --- | DATE | | MATERIAL NO. SEE TABLE | | |
| | | ANGULAR ±1/2° | | DOCUMENT NO. SD-106032-XXX0 | | SHEET NO. 2 OF 3 | | |
| | DRAFT WHERE APPLICABLE MUST REMAIN WITHIN DIMENSIONS | | THIS DRAWING CONTAINS INFORMATION THAT IS PROPRIETARY TO MOLEX INCORPORATED AND SHOULD NOT BE USED WITHOUT WRITTEN PERMISSION | | | | | |

| 10 | 9 | 8 | 7 | 6 | 5 | 4 | 3 | 2 | 106032 | | |
|---------------|--------|------------|------------------|------------------|------------------|------------------|------------------|------------|---------------|------------------|------------------|
| CONNECTOR P/N | Ø (Mm) | BOOT COLOR | HOUSING COLOR | CONNECTOR TYPE | CABLE (mm) | CONNECTOR P/N | Ø (Mm) | BOOT COLOR | HOUSING COLOR | CONNECTOR TYPE | CABLE (mm) |
| 106032-4000 | 125 | YELLOW | BLUE | SINGLE MODE | 3 | 106032-6000 | 125.5 | YELLOW | BLUE | SINGLE MODE | 3 |
| 106032-4900 | | | | | 2.0 & 1.6 DUPLEX | 106032-6900 | | | | | 2.0 & 1.6 DUPLEX |
| 106032-4100 | | | | | 1.6 SIMPLEX | 106032-6100 | | | | | 1.6 SIMPLEX |
| 106032-4050 | | | | | 3 | 106032-7000 | | | | | 3 |
| 106032-4950 | | | | | 2.0 & 1.6 DUPLEX | 106032-7900 | | | | | 2.0 & 1.6 DUPLEX |
| 106032-4150 | | | | | 1.6 SIMPLEX | 106032-7100 | | | | | 1.6 SIMPLEX |
| 106032-4080 | | WHITE | RED | | 3 | 106032-7050 | 3 | | | | |
| 106032-4980 | | | | | 2.0 & 1.6 DUPLEX | 106032-7950 | 2.0 & 1.6 DUPLEX | | | | |
| 106032-4180 | | | | | 1.6 SIMPLEX | 106032-7150 | 1.6 SIMPLEX | | | | |
| 106032-4070 | | | | | 3 | 106032-7080 | 3 | | | | |
| 106032-4970 | | | | | 2.0 & 1.6 DUPLEX | 106032-7980 | 2.0 & 1.6 DUPLEX | | | | |
| 106032-4170 | | | | | 1.6 SIMPLEX | 106032-7180 | 1.6 SIMPLEX | | | | |
| 106032-5000 | 126 | YELLOW | BLUE | 3 | 106032-7070 | 127 | WHITE | BLACK | SINGLE MODE | 3 | |
| 106032-5020* | | | | 2.4 | 106032-7970 | | | | | 2.0 & 1.6 DUPLEX | |
| 106032-5300 | | | | 1.6 SIMPLEX | 106032-7170 | | | | | 1.6 SIMPLEX | |
| 106032-5310* | | | | 3 | 106032-7070 | | | | | 3 | |
| 106032-5900 | | | | 2.0 & 1.6 DUPLEX | 106032-7970 | | | | | 2.0 & 1.6 DUPLEX | |
| 106032-5990* | | | | 1.6 SIMPLEX | 106032-7170 | | | | | 1.6 SIMPLEX | |
| 106032-5100 | | WHITE | RED | 3 | 106032-5000 | 3 | | | | | |
| 106032-5050 | | | | 2.0 & 1.6 DUPLEX | 106032-5000 | 2.0 & 1.6 DUPLEX | | | | | |
| 106032-5950 | | | | 1.6 SIMPLEX | 106032-5000 | 1.6 SIMPLEX | | | | | |
| 106032-5150 | | | | 3 | 106032-5000 | 3 | | | | | |
| 106032-5080 | | | | 2.0 & 1.6 DUPLEX | 106032-5000 | 2.0 & 1.6 DUPLEX | | | | | |
| 106032-5980 | | | | 1.6 SIMPLEX | 106032-5000 | 1.6 SIMPLEX | | | | | |
| 106032-5180 | BLACK | BLACK | 3 | 106032-5000 | 3 | | | | | | |
| 106032-5070 | | | 2.0 & 1.6 DUPLEX | 106032-5000 | 2.0 & 1.6 DUPLEX | | | | | | |
| 106032-5970 | | | 1.6 SIMPLEX | 106032-5000 | 1.6 SIMPLEX | | | | | | |
| 106032-5170 | | | 3 | 106032-5000 | 3 | | | | | | |
| 106032-5000 | | | 2.0 & 1.6 DUPLEX | 106032-5000 | 2.0 & 1.6 DUPLEX | | | | | | |
| 106032-5170 | | | 1.6 SIMPLEX | 106032-5000 | 1.6 SIMPLEX | | | | | | |

| | | | | | | | | | | |
|---|--|---------------------------------------|----------------------|--|---------------------|---------------------------------|----------------------|------------------------|--|--|
| ENTER DESCRIPTION EC NO: MF2007-0445 DRWNGKPEVNER 2007/01/12 CHKD: 2007/01/12 APPR: IGUMIN 2007/01/15 REV B1 | DESCRIPTION QUALITY SYMBOLS ▽=0 ▽=0 | GENERAL TOLERANCES (UNLESS SPECIFIED) | | DIMENSION STYLE IN/MM | | SCALE 4:1 | DESIGN UNITS INCH | THIRD ANGLE PROJECTION | | |
| | | mm | INCH | DRAWN BY RPACIFICI | DATE 2005/12/22 | TITLE SC CONNECTOR (TUNABLE) | | | | |
| | | 4 PLACES ± --- ± --- | 3 PLACES ± --- ± --- | 2 PLACES ± --- ± --- | 1 PLACE ± --- ± --- | CHECKED BY | DATE | APPROVED BY | | |
| | | ANGULAR ±1/2° | | MATERIAL NO. SEE TABLE | | DOCUMENT NO. SD-106032-XXX0 | | SHEET NO. 3 OF 03 | | |
| DRAFT WHERE APPLICABLE MUST REMAIN WITHIN DIMENSIONS | | | | THIS DRAWING CONTAINS INFORMATION THAT IS PROPRIETARY TO MOLEX INCORPORATED AND SHOULD NOT BE USED WITHOUT WRITTEN PERMISSION | | | | | | |