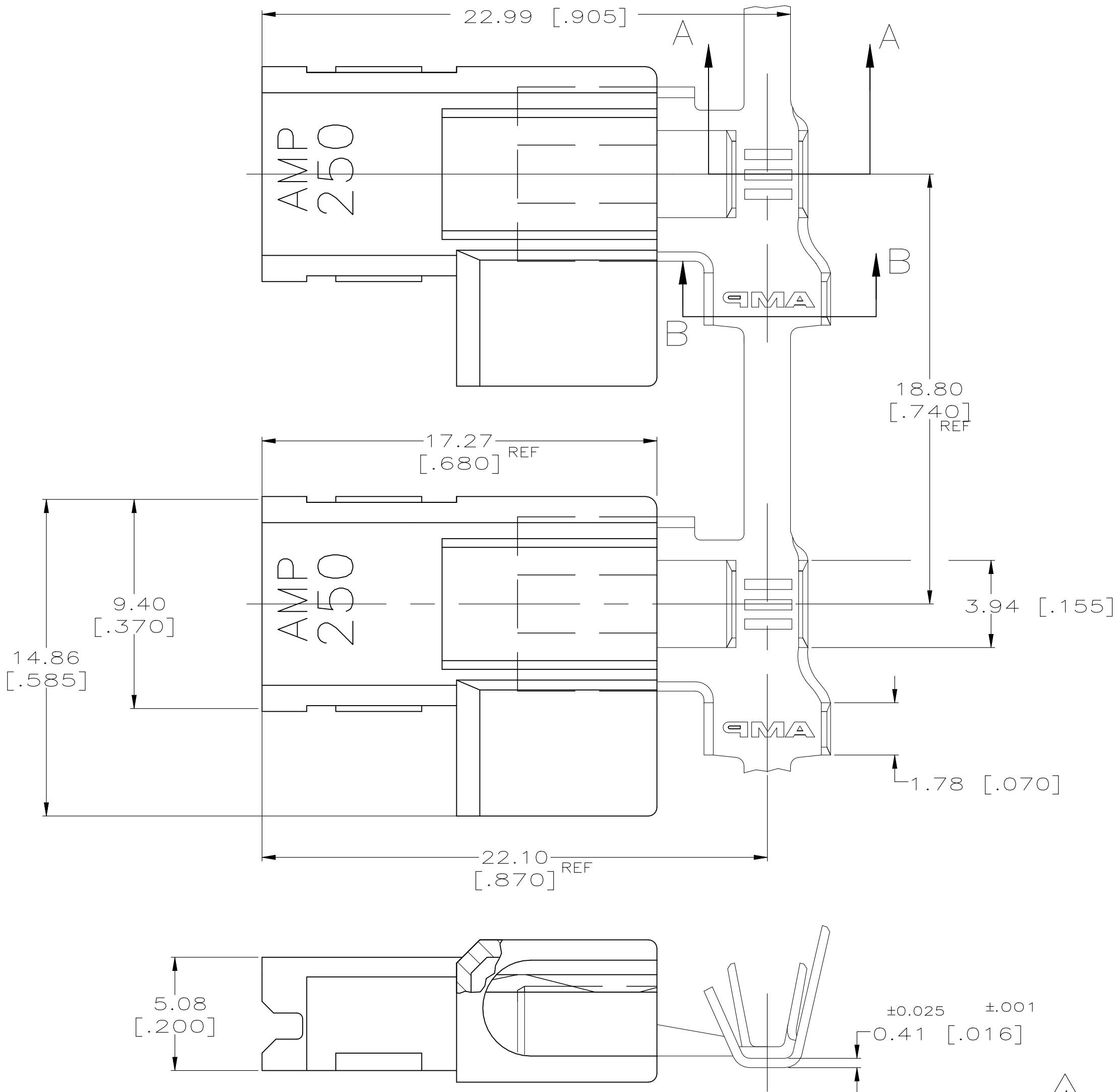
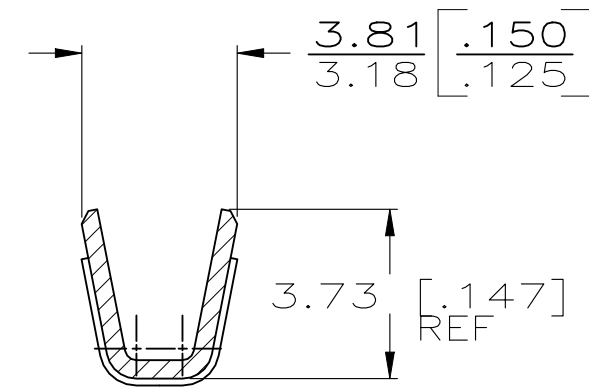


THIS DRAWING IS UNPUBLISHED. RELEASED FOR PUBLICATION
 © COPYRIGHT BY TYCO ELECTRONICS CORPORATION. ALL RIGHTS RESERVED.

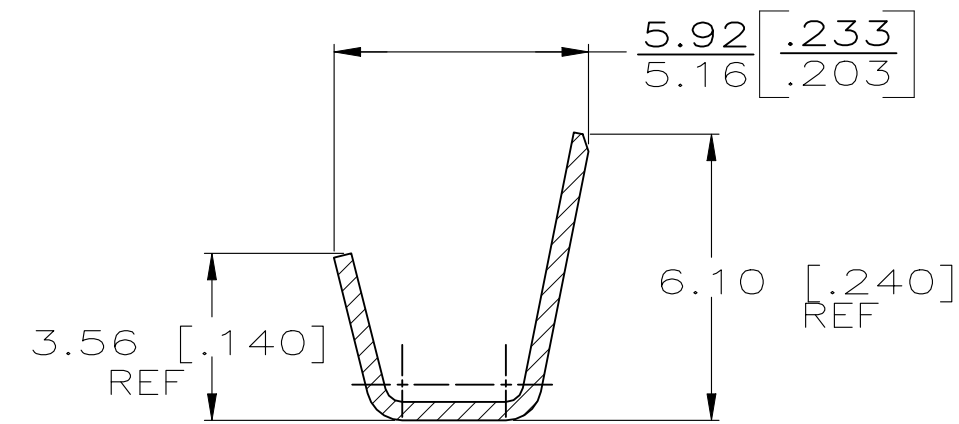
LOC	DIST	REVISIONS					
AF	50	P	LTR	DESCRIPTION	DATE	DWN	APVD
		C2		REV PER ECR-23-171758	13APR23	DB	BW



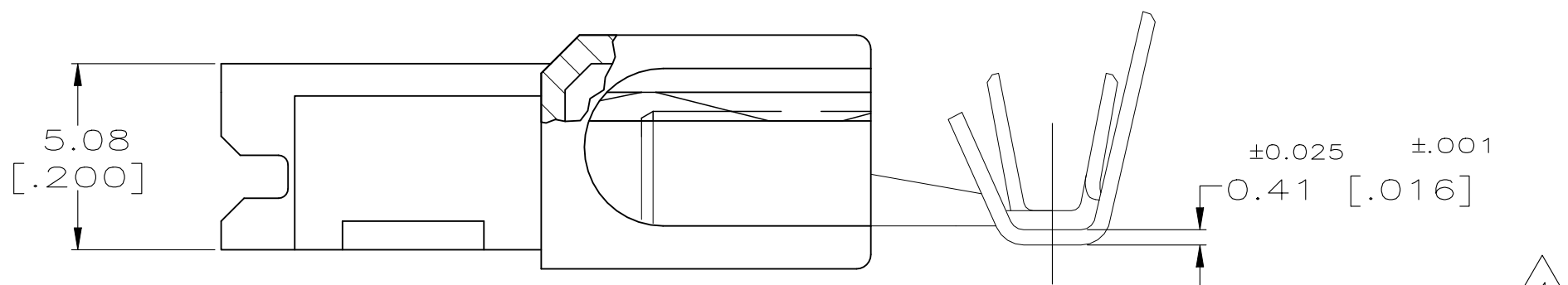
- 1 BUDGET FLAG FASTON TERMINALS, (STRESS RELIEVED) BASE P/N 63559, ARE USED IN THIS PRODUCT.
 - 2 WIRE SIZE [#18-#14] AWG.
 - 3 INSULATION RANGE IS 2.79-4.06 [.110-.160] DIA.
- △ ALTERNATIVE HOUSING FORM



SECTION A-A



SECTION B-B



OBSELETE

STANDARD	6/6 NYLON / NATURAL	TIN PLATE - 4M HARD BRASS	521347-2
STANDARD	6/6 NYLON / NATURAL	PLAIN - 4M HARD BRASS	521347-1
PACKAGING	HOUSING MATERIAL / COLOR	TERMINAL FINISH - MATERIAL	PART NO
THIS DRAWING IS A CONTROLLED DOCUMENT.		DWN 22AUG00 JR RUTH	Tyco Electronics Corporation Harrisburg, PA 17105
DIMENSIONS: INCHES		CHK 22AUG00 MS FEHER	
TOLERANCES UNLESS OTHERWISE SPECIFIED:		APVD 22AUG00 J HUMMEL	NAME ASSEMBLY, RECEPTACLE, FLAG, ULTRA-POD, 6.35 [.250] SERIES
0 PLC ± -		PRODUCT SPEC 108-1285	
1 PLC ± -		APPLICATION SPEC 114-2124	SIZE
2 PLC ± -		WEIGHT	CAGE CODE
3 PLC ± 0.25 [.010]		MATERIAL SEE TABLE	DRAWING NO
4 PLC ± -			RESTRICTED TO
ANGLES ± -		FINISH SEE TABLE	SCALE
MATERIAL SEE TABLE		FINISH SEE TABLE	SHEET
MATERIAL SEE TABLE		FINISH SEE TABLE	OF
MATERIAL SEE TABLE		FINISH SEE TABLE	REV
MATERIAL SEE TABLE		FINISH SEE TABLE	C2