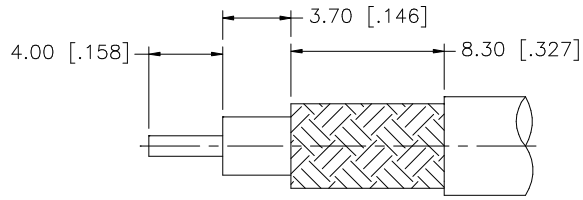
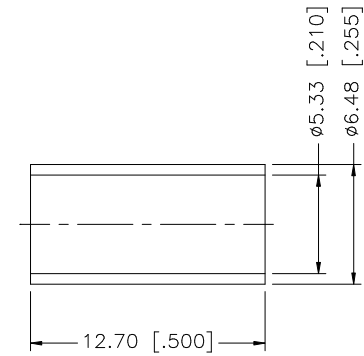
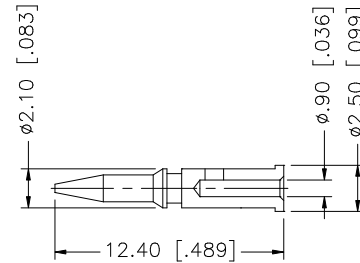
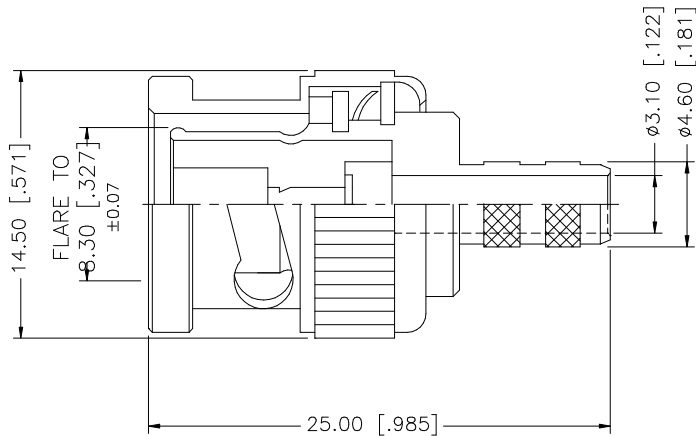


REV.	DATE	DESCRIPTION
NC	02/07/06	INITIAL RELEASE



RECOMMENDED  
CABLE STRIPPING DIMS.



NOTE:

1. CRIMPED FERRULE  
HEX CRIMP SIZE .213"
2. CRIMPED CONTACT PIN  
HEX CRIMP SIZE .068"

8					<small>UNLESS OTHERWISE SPECIFIED DIMENSIONS ARE IN MILLIMETERS. DIMENSIONS IN [ ] ARE IN INCHES AND FOR CUSTOMER REFERENCE ONLY.</small>  <small>UNLESS OTHERWISE SPECIFIED TOLERANCES FOR MILLIMETERS ARE:</small> 0.5 - 8mm ± 0.20mm 8 - 30mm ± 0.40mm 30 - 120mm ± 0.50mm  <small>UNLESS OTHERWISE SPECIFIED TOLERANCES FOR INCHES ARE:</small> .020 - .315 = ± 0.007" .315 - 1.180 = ± 0.015" 1.180 - 4.724 = ± 0.020"	APPROVALS	DATE	<h1 style="color: blue;">Amphenol Connex</h1>			
7				DRAWN		G.R.S.	02/07/06				
6						CHECKED		<b>PART DESCRIPTION</b>  <b>BNC CRIMP PLUG</b> <b>(FOR RG-58/U, 141/U CABLE)</b>			
5						ISSUED					
4	FERRULE	COPPER	NICKEL	1	SHEET	1 OF 1	<b>PART NO.</b>  <b>112116-10</b>				
3	CONTACT PIN	BRASS	GOLD	1							
2	INSULATOR	TEFLON	NATURAL	1			<b>DWG. NO.</b> 112116-10.DWG				
1	SHELL/BODY	BRASS	NICKEL	1							<b>REV.</b> NC <b>SIZE</b> A <b>SCALE</b> NA
	DESCRIPTION	MATERIAL	FINISH	QTY	DO NOT SCALE DRAWING		CAD FILE C:/112/112116-10.DWG				