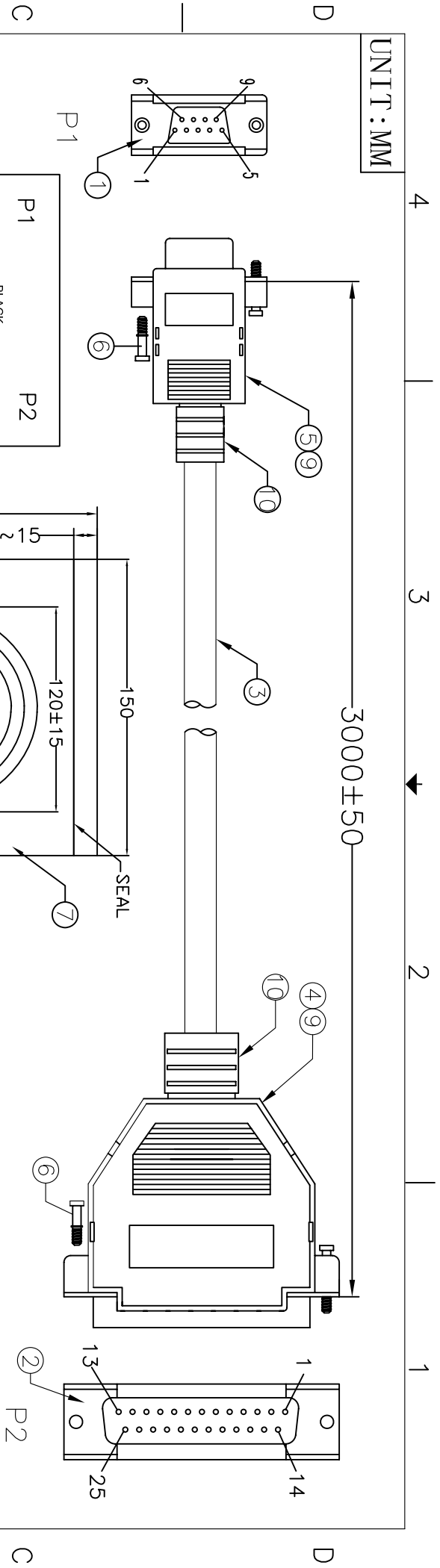
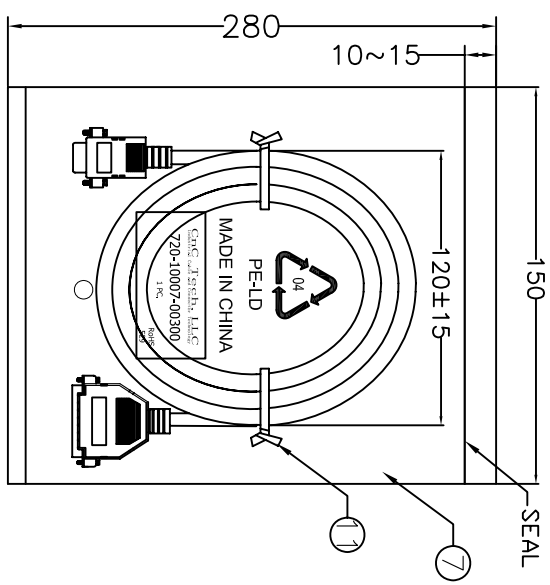


UNIT:MM



P1	P2
1 BLACK	8
2 GREY	2
3 YELLOW	3
4 PURPLE	6
5 ORANGE	7
6 RED	20
7 BROWN	5
8 GREEN	4
9 BLUE	22
SHELL	SHELL



- Electronic Test:
- 1.100% Test,(Open,Short,Miss Wire)
  - 2.Contact Resistance:5 ohm max.
  - 3.Insulation Resistance:5M ohm min.
  - 4.Hi-Pot:300V DC.

① TIE	2	WHITE L=100mm
⑩ S/R	5.5g	BEIGE(IV-29#) 45P PVC (MOULD NO.SR-50/SR-51)
⑨ TUBE	50mm	HEAT SHRINK TUBE BLACK OD1.5mm,L1=20mm,L2=30mm
⑧ PE BAG	1/10	CLEAR SIZE: 360*380*0.05mm PRINT BLACK"MADE IN CHINA"+"10PCS"及生产周期,有透气孔.
⑦ PE BAG	1	CLEAR SIZE: 150*280*0.05mm PRINT BLACK"MADE IN CHINA"+"1PC"及生产周期,有透气孔.
⑥ SCREW	4	SCREW #4-40UNC L=12.5mm,NICKEL PLATED
⑤ DKN	1	DB9P DKN W/O NUT BEIGE
④ DKN	1	DB25P DKN W/O NUT BEIGE
③ CABLE	1	NOUL 30AWG*9C+AD OD5.0mm COLOR BEIGE(IV-29) L=3000±15mm
② CONN	1	DB25P FEMALE SOLDER TYPE PIN G/F,BLUE INSULATION
① CONN	1	DB 9P FEMALE SOLDER TYPE G/F, BLUE INSULATION
NO.	NAME	QTY

**CNC Tech, LLC**

Industrial Cable and Connector Technology

DRAWN BY	ZHONGHS	DRAWING NO.	
CHECKED BY		CUSTOMER	CNC
APPROVAL BY		ITEM NO.	720-10007-00300
DECIDE BY		DATE	2012-02-06
VERSIONS/EDITION	A/0	PROJECT	

4 3 2 1