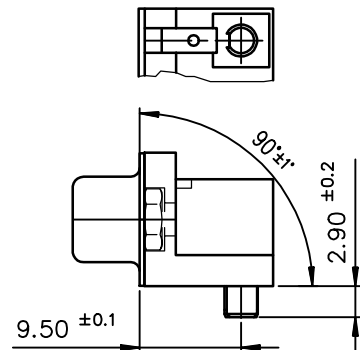
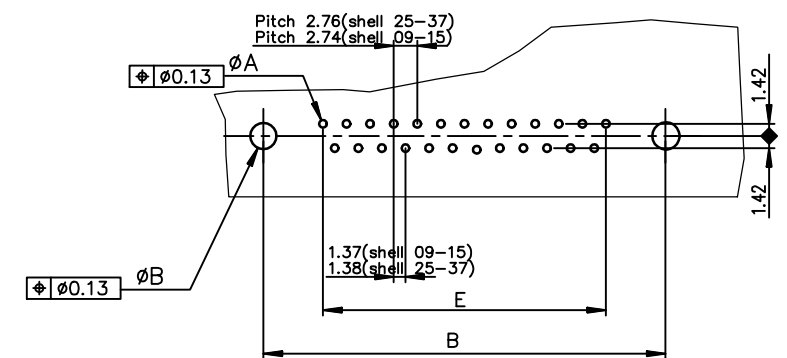


Detail of plastic pin



PC card drilling dimensions(after plating)
(thickness 1.60 ±0.25 mm)



TIN LEAD PART NUMBER

SHELL	A±0.38	B±0.12	C±0.10	D±0.25	E±0.07	PART NUMBER	PART NUMBER
09	30.81	24.99	18.00	16.21	10.96	D09S80C4PL00	D09S80C6PL00
15	39.14	33.32	26.32	24.54	19.18	D15S80C4PL00	D15S80C6PL00
25	53.03	47.04	40.04	38.25	33.12	D25S80C4PL00	D25S80C6PL00
37	69.32	63.50	56.50	54.71	49.68	D37S80C4PL00	D37S80C6PL00
						Gold flash	0,76 » gold

LEAD FREE PART NUMBER

SHELL	A±0.38	B±0.12	C±0.10	D±0.25	E±0.07	PART NUMBER	PART NUMBER
09	30.81	24.99	18.00	16.21	10.96	D09S80C4PL00LF	D09S80C6PL00LF
15	39.14	33.32	26.32	24.54	19.18	D15S80C4PL00LF	D15S80C6PL00LF
25	53.03	47.04	40.04	38.25	33.12	D25S80C4PL00LF	D25S80C6PL00LF
37	69.32	63.50	56.50	54.71	49.68	D37S80C4PL00LF	D37S80C6PL00LF
						Gold flash	0,76 » gold

GENERAL CHARACTERISTICS AND ROHS INFORMATIONS:

SEE DRAWING C01-8646-0001

mat'l. code		surface		tolerance		projection		product family	
-		ISO 1302 ✓		ISO 406 ISO 1101		D-SUB		D-SUB	
ltr	ecn no	dr	date	tolerances unless otherwise specified		title		sheet 1 of 1 size	
G	ELX-17859	MP	2014/06/06	angles	linear	FEMALE CONNECTOR DELTA D US		A3	
				0°±2'	.0±0.1	RIGHT ANGLED PRESS FIT		dwg no	
					.00±0.1	scale 2:1		C01-8646-0409	
					.000±0.1	FCJ		type Product Customer Drawing	
sheet index		revision	sheet	dr		engr		appd	
		G	1	PESSON 1995/10/30		MITHUN PAUL 2014/06/06		BIJU K PAUL 2014/06/06	
				chr		ALIAS BABU 2014/06/06			



Copyright FCJ