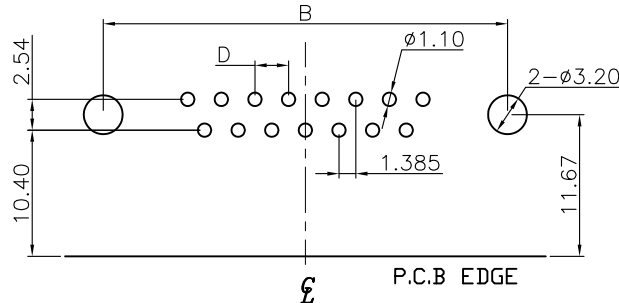
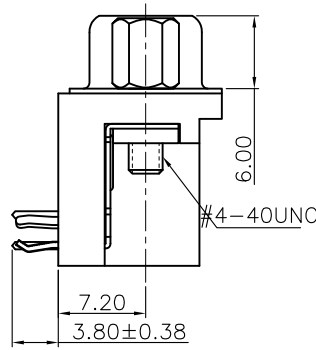
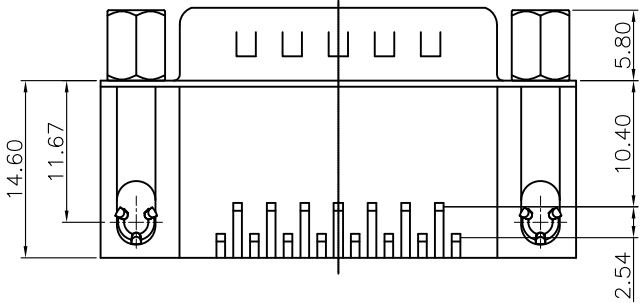
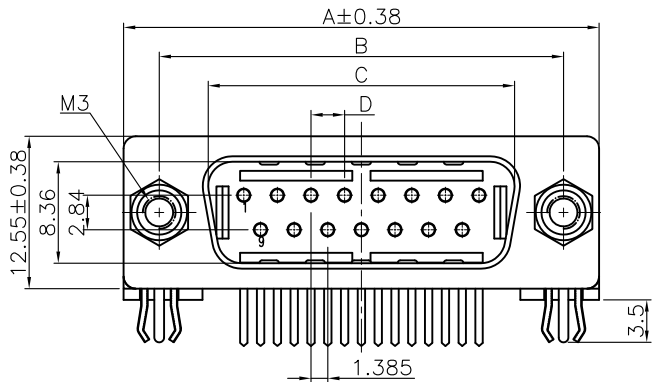


This document is the property of Amphenol Corporation and is delivered on the express condition that it is not to be disclosed, reproduced or used, in whole or in part, for manufacture or sale by anyone other than Amphenol Corporation without its prior consent, & that no right is granted to disclose or to use any information in this document.

Customer drawing



NO.	A	B	C	D
09P	30.81	24.99	16.92	2.77
15P	39.19	33.32	25.25	2.77
25P	53.04	47.04	38.96	2.77
37P	69.32	63.50	55.42	2.77

RECOMMENDED P.C.B LAYOUT
TOLERANCE: ±0.05mm

REVISIONS

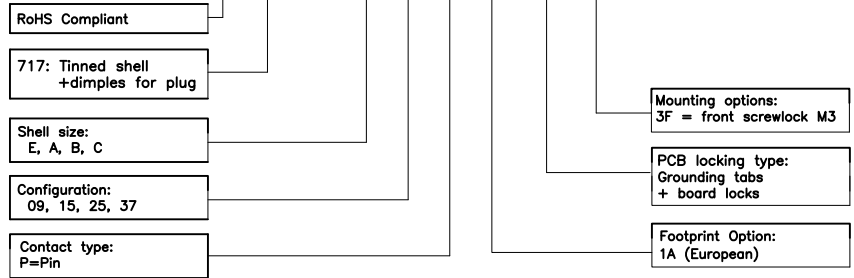
SYM	ECN	DESCRIPTION	DATE	APPROVED
1	HK--	First Release Drawing	08/21/11	IP
2	HK--	Update the Drawing	11/26/14	IP
3	HK--	Change the tail length	12/29/14	IP

D-SUB TECHNICAL DATA

SHELL : SPCC, 80u" min nickel over 50u" min Copper
 BODY : Glass-Filled Thermoplastic PBT, UL 94V-0, Color:Black.
 CONTACTS : Copper Alloy
 Gold flash over 50u" nickel on mating area
 100u" tin over 50u" nickel on solder area
 BOARDLOCK: Brass, Tin Plated.
 RIVET: Copper Alloy, Nickel Plated.
 SCREWLOCK: Copper Alloy, Nickel Plated.
 ELECTRICAL : Voltage Rating 250 VAC (RMS) 60Hz
 Current Rating :3 AMP
 Withstanding Voltage >1000 VAC(RMS)
 Insulation Resistance >1000 M Ohms
 Contact Resistance 25 mOhms max
 MARKING : Amphenol...(Series No.)
 Commercial Reference
 Manufacturing Date

PRODUCT CODE

L 717 SD X XX P 1A CH 3F



UNLESS OTHERWISE SPECIFIED TOLERANCES		APPROVAL		DATE
U.S.	METRIC	DRAWN	Simon	12/29/14
X +/-	0.50	CHECKED	Tony Tang	12/29/14
.X +/-	0.30	CHECKED		
.XX +/-	0.20			
FRACTIONS +/-	5'	DRAWING FILE :		
ANGLES +/-		ANGLE OF PROJECTION		
FOR MATERIALS AND FINISHES SEE NOTES				
REMOVE SHARP EDGES				
DIMENSIONS				
U.S.	INCHES			
METRIC	MM			

Amphenol
Amphenol East Asia Limited

TITLE
Stamped and formed contact,SD series

SIZE DRAWING NO. REV.
A4 L717SDXXXP1ACH3F 3

SCALE NONE SHEET 1 OF 1