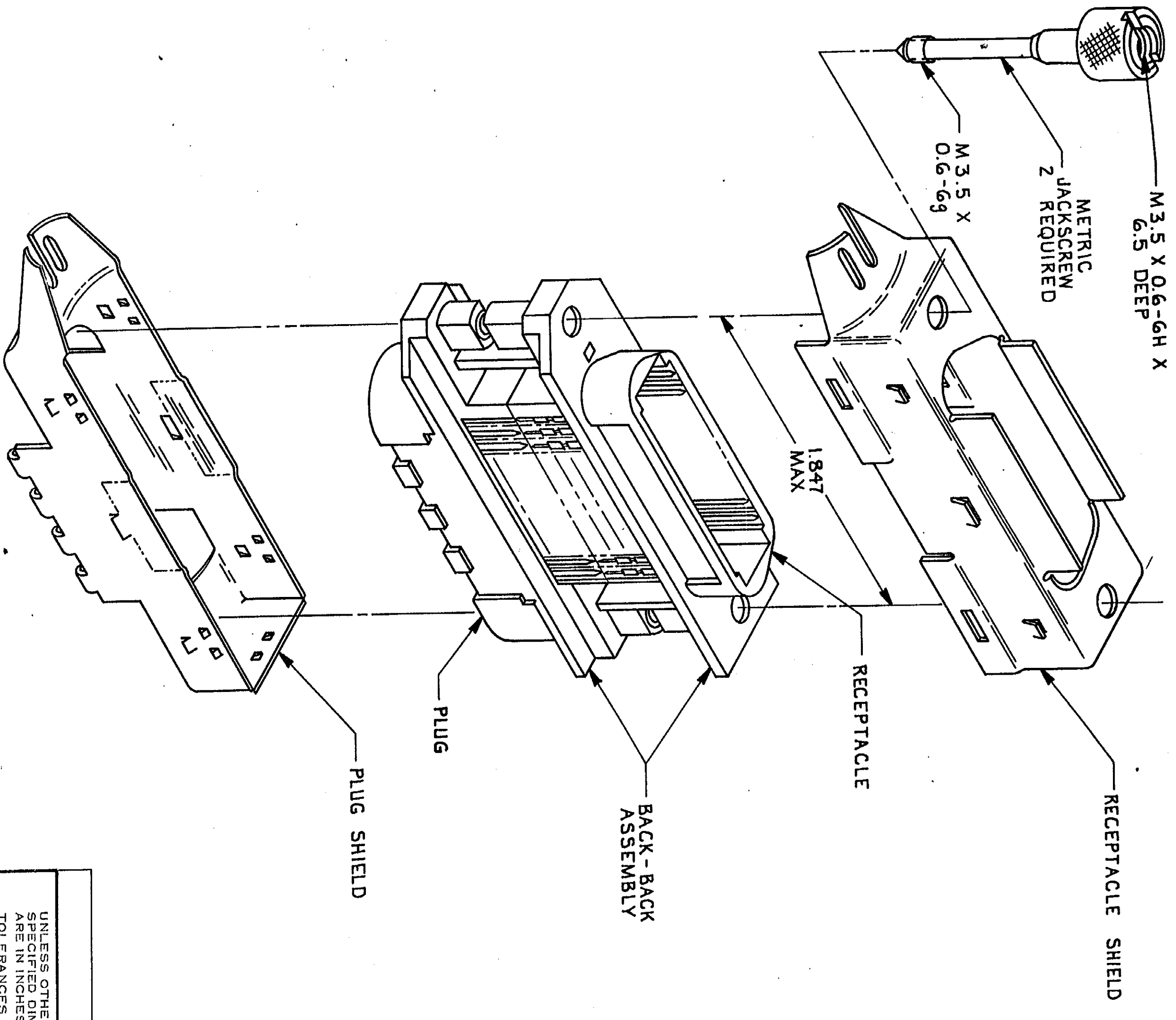


DRAWING MADE IN THIRD ANGLE PROJECTION

THIS DRAWING IS UNPUBLISHED. RELEASED FOR PUBLICATION

© COPYRIGHT 19 BY AMP INCORPORATED, HARRISBURG, PA. ALL INTERNATIONAL RIGHTS RESERVED. AMP PRODUCTS MAY BE COVERED BY U.S. AND FOREIGN PATENTS AND/OR PATENTS PENDING.



REVISONS		DATE	APPROVED
P	F	ZONE LTR	DESCRIPTION
0	1	0	RLSD; NPI C87-17
		3/19/87	SA

- 1 MATERIAL: HOUSINGS - POLYPHENYLENE OXIDE, BLACK.
- 2 SHIELDS - CARBON STEEL.
- 3 JACKSCREWS - CARBON STEEL.
- 4 TERMINALS - HIGH STRENGTH COPPER ALLOY.
- 5 FINISH: SHIELDS - BRIGHT NICKEL PLATE.
- 6 TERMINALS - SELECTIVE GOLD PLATE.
- 7 JACKSCREWS - BLACK OXIDE COATING.
- 8 THIS KIT SHIPPED NOT ASSEMBLED.
- 9 CENTER-TO-CENTER SPACING OF TERMINALS IS .085 NOMINAL.
- 10 WIRE SIZE: 26-27-28 AWG 7 STRANDS OF COPPER CONDUCTORS, MAXIMUM INSULATION DIAMETER OF .045 IS ACCEPTABLE FOR MOST APPLICATIONS.
- 11 CABLE RANGE: .300 - .450 DIAMETER.
- 12 COMPONENTS BULK PACKAGED 500 PER CONTAINER.
- 13 ONE KIT PER POLY BAG.

UNLESS OTHERWISE SPECIFIED DIMENSIONS ARE IN INCHES. TOLERANCES ON: DECIMALS ± ANGLES ±		CONTRACT NO	
MATERIAL		DR 3-19-87	
FINISH		CHK S. Oaddison 3-23-87	
APPD 3/24/87		APPD 3-24-87	
OTHER APPD		DSGN APPD	
NAME		AMP INCORPORATED Harrisburg, Pa. 17105	
BACK - BACK KIT, 24 POSITION, W/SHIELDS & JACKSCREW, CHAMP		FSCM NO 00779	
SCALE 2:1		DRAWING NO 555182	
SHEET 1 OF 1		PART NO 555182-1	

555182

CUSTOMER DRAWING

AMP 1471-7