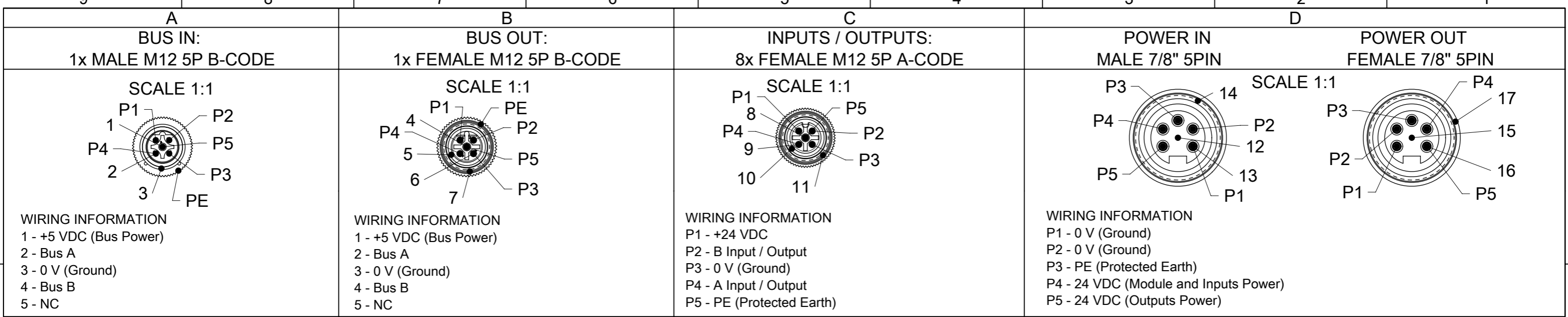


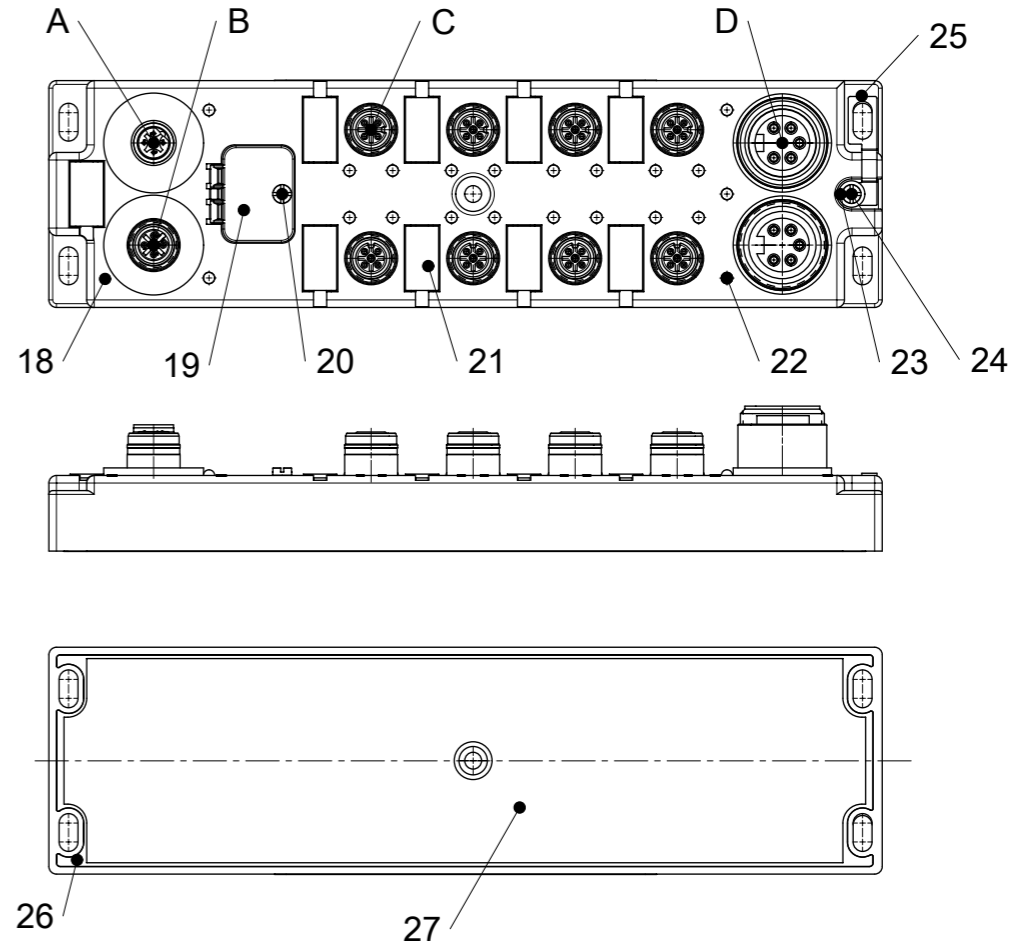
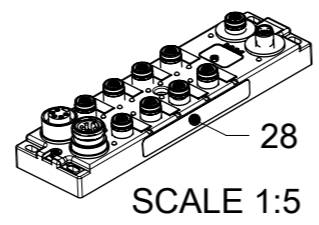
SCALE 1:2

THIS DRAWING CONTAINS INFORMATION THAT IS PROPRIETARY TO MOLEX ELECTRONIC TECHNOLOGIES, LLC AND SHOULD NOT BE USED WITHOUT WRITTEN PERMISSION																			
QUALITY SYMBOLS		GENERAL TOLERANCES (UNLESS SPECIFIED)			DIMENSION UNITS		SCALE												
▽A	= 0	ANGULAR TOL ± °			mm		1:1												
▽E	= 0	4 PLACES ±			DRWN BY		DATE		DBO PB 60 MM 7/8" 5P AC MA FE U12 5P 8PT AC FE U12 5P 2PT BC										
▽F	= 0	3 PLACES ±			ULETTENMEIER		2015/01/19												
▽	= 0	2 PLACES ±			CHK'D BY		DATE		PRODUCT CUSTOMER DRAWING										
▽C	= 0	1 PLACE ± 0.3			RSILLER		2015/06/25												
⊠	= 0	0 PLACES ± 0.5			APPR BY		DATE		<table border="1"> <tr> <td>SERIES</td> <td>MATERIAL NUMBER</td> <td>CUSTOMER</td> </tr> <tr> <td>112038</td> <td>SEE TABLE 1</td> <td>GENERAL MARKET</td> </tr> </table>			SERIES	MATERIAL NUMBER	CUSTOMER	112038	SEE TABLE 1	GENERAL MARKET		
SERIES	MATERIAL NUMBER	CUSTOMER																	
112038	SEE TABLE 1	GENERAL MARKET																	
■	= 0	DRAFT WHERE APPLICABLE MUST REMAIN WITHIN DIMENSIONS			DRAWING SIZE		THIRD ANGLE PROJECTION		<table border="1"> <tr> <td>DOCUMENT NUMBER</td> <td>DOC TYPE</td> <td>DOC PART</td> <td>SHEET NUMBER</td> </tr> <tr> <td>1120380030</td> <td>PSD</td> <td>000</td> <td>1 OF 3</td> </tr> </table>			DOCUMENT NUMBER	DOC TYPE	DOC PART	SHEET NUMBER	1120380030	PSD	000	1 OF 3
DOCUMENT NUMBER	DOC TYPE	DOC PART	SHEET NUMBER																
1120380030	PSD	000	1 OF 3																
▽	= 0				A3														
EC NO: 101574		DRWN: AAHLERS		CHK'D: RSILLER		APPR: RSILLER													
A1		REV		2015/10/21		2015/11/03													



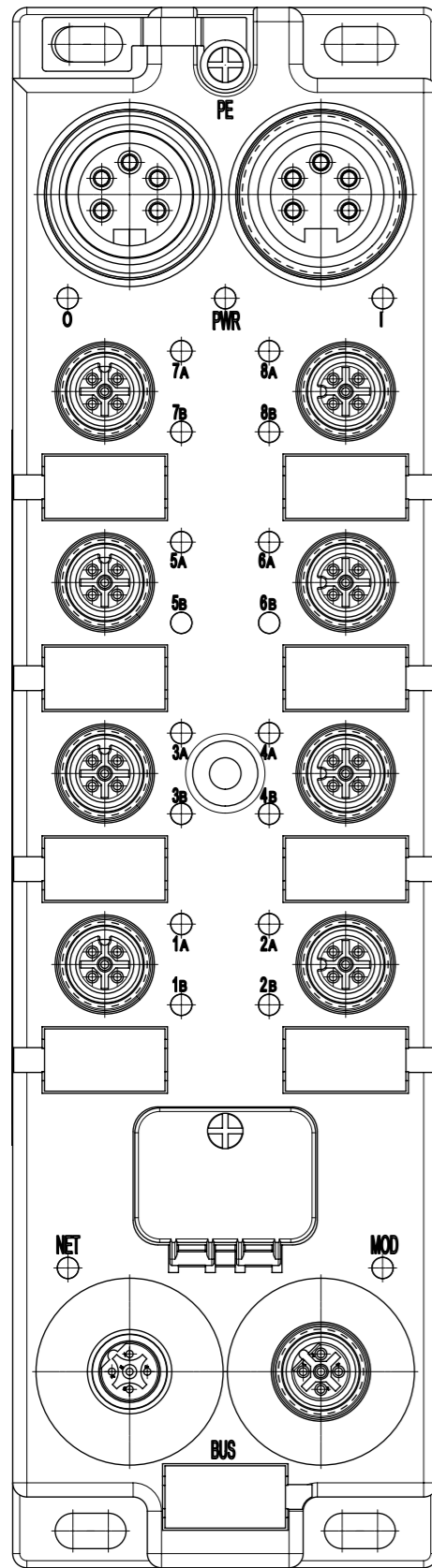
BILL OF MATERIAL

ITEM	DESCRIPTION	MATERIAL	FINISH
1	INSERT	TPU	BLACK
2	CONTACT	COPPER ALLOY	NICKEL PLATET
3	SHELL	BRASS	NICKEL PLATET
4	INSERT	TPU	BLACK
5	GASKET	FPM	RED
6	CONTACT	COPPER ALLOY	NI AU
7	SHELL	BRASS	NI
8	INSERT	TPU	BLACK
9	CONTACT	COPPER ALLOY	NI AU
10	GASKET	FPM	RED
11	SHELL	BRASS	NI
12	INSERT	TPE	YELLOW
13	CONTACT	COPPER ALLOY	NI AU
14	SHELL	BRASS	NI
15	INSERT	TPE	YELLOW
16	CONTACT	COPPER ALLOY	NI AU
17	SHELL	BRASS	NI
18	HOUSING	PBT	BLACK
19	WINDOW	PC	TRANSPARENT
20	SCREW	V2A	V2A
21	LABEL	PC	WHITE
22	FIBER OPTIC	PA	TRANSPARENT
23	WASHER	BRASS	NI
24	SCREW	V2A	V2A
25	SHIELD PLATE	STAINLESS STEEL	STAINLESS STEEL
26	RESIN	EPOXY	TRANSPARENT
27	LABEL	PVC	WHITE
28	LABEL	PVC	YELLOW



THIS DRAWING CONTAINS INFORMATION THAT IS PROPRIETARY TO MOLEX ELECTRONIC TECHNOLOGIES, LLC AND SHOULD NOT BE USED WITHOUT WRITTEN PERMISSION

QUALITY SYMBOLS A = 0 E = 0 F = 0 G = 0 H = 0 I = 0 J = 0 K = 0 L = 0 M = 0 N = 0 O = 0	EC NO: 101574 DRWN: AAHLERS CHK'D: RSILLER APPR: RSILLER	2015/10/21 2015/11/03 2015/11/03	GENERAL TOLERANCES (UNLESS SPECIFIED) ANGULAR TOL ± ° 4 PLACES ± 3 PLACES ± 2 PLACES ± 1 PLACE ± 0.3 0 PLACES ± 0.5 DRAFT WHERE APPLICABLE MUST REMAIN WITHIN DIMENSIONS	DIMENSION UNITS: mm SCALE: 1:1 DRWN BY: ULETTENMEIER DATE: 2015/01/19 CHK'D BY: [blank] DATE: [blank] APPR BY: RSILLER DATE: 2015/06/25 DRAWING SIZE: A3 THIRD ANGLE PROJECTION	
	PRODUCT CUSTOMER DRAWING			SERIES: 112038 MATERIAL NUMBER: SEE TABLE 1 CUSTOMER: GENERAL MARKET	
	DBO PB 60 MM 7/8" 5P AC MA FE U12 5P 8PT AC FE U12 5P 2PT BC			DOCUMENT NUMBER: 1120380030 DOC TYPE: PSD DOC PART: 000 SHEET NUMBER: 2 OF 3	
	RELEASE STATUS: P1 RELEASE DATE: 2015/11/03 17:18:05				



UNIVERSAL PRINTING

TABLE 1 UNIVERSAL PRINTING						
POWER TYPE	INPUT / OUTPUT	ENG.NO.	MOLEX P/N	3D MODEL NO.		
7/8" 5 POLE	NPN	16I	TCDPB-8D0N-B1U	1120380030	1120380030 (PDM)	
		14I / 20	TCDPB-8C2N-B1U	1120380028		
		12I / 40	TCDPB-8B4N-B1U	1120380026		
		8I / 80	TCDPB-888N-B1U	1120380024		
	USER CONFIG.	TCDPB-8YYX-B1U	1120385005			
	PNP	16I	TCDPB-8D0P-B1U	1120380031		
		14I / 20	TCDPB-8C2P-B1U	1120380029		
		12I / 40	TCDPB-8B4P-B1U	1120380027		
		8I / 80	TCDPB-888P-B1U	1120380025		

QUALITY SYMBOLS ▽A = 0 ▽E = 0 ▽F = 0 ▼ = 0 ▽C = 0 ⊗ = 0 ■ = 0 ▽ = 0	THIS DRAWING CONTAINS INFORMATION THAT IS PROPRIETARY TO MOLEX ELECTRONIC TECHNOLOGIES, LLC AND SHOULD NOT BE USED WITHOUT WRITTEN PERMISSION										
	EC NO: 101574 DRWN: AAHLERS CHK'D: RSILLER APPR: RSILLER	2015/10/21 2015/11/03 2015/11/03	GENERAL TOLERANCES (UNLESS SPECIFIED)		DIMENSION UNITS	SCALE					
			ANGULAR TOL ± °		mm	1:1					
			4 PLACES ±		DRWN BY	DATE	DBO PB 60 MM 7/8" 5P AC MA FE U12 5P 8PT AC FE U12 5P 2PT BC				
			3 PLACES ±		ULETTENMEIER	2015/01/19					
			2 PLACES ±		CHK'D BY	DATE	PRODUCT CUSTOMER DRAWING				
	1 PLACE ± 0.3		APPR BY	DATE							
	0 PLACES ± 0.5		RSILLER	2015/06/25	SERIES	MATERIAL NUMBER	CUSTOMER				
	DRAFT WHERE APPLICABLE MUST REMAIN WITHIN DIMENSIONS		DRAWING SIZE	THIRD ANGLE PROJECTION	112038	SEE TABLE 1	GENERAL MARKET				
			A3		DOCUMENT NUMBER		DOC TYPE	DOC PART	SHEET NUMBER		
				1120380030		PSD	000	3 OF 3			