

Beam0412-156-Blue (4-Pack)

SKU: 60717 Weight: 56.80 Gram

What Are Beams?

Beams are the most frequently-used parts of Makeblock platform which can be used to build all kinds of mechanical structures. Beam 0412 series is usually applied as linking-rod parts and comes with different length varying from 36mm to 236mm for various building needs.

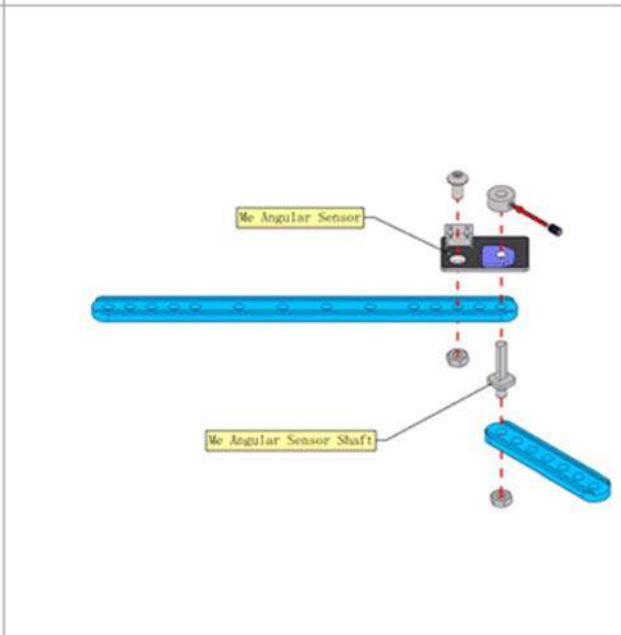
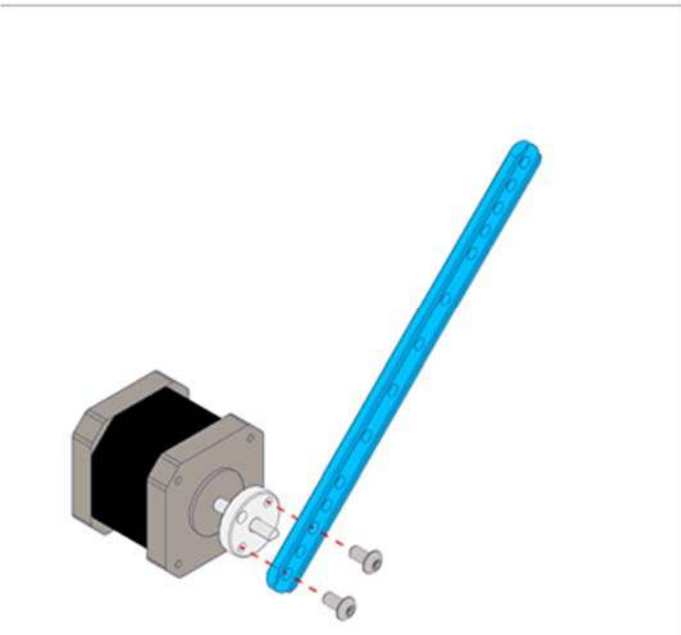
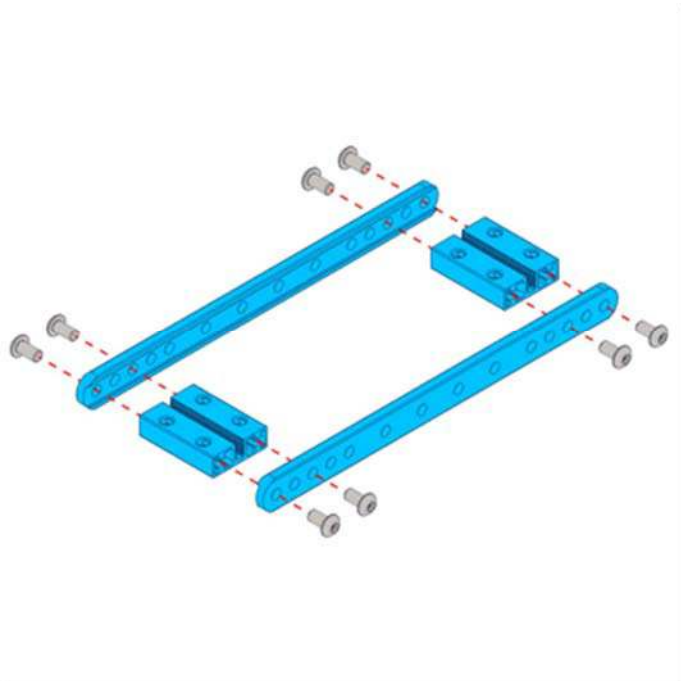
Design & Material

- Compatible with most Makeblock motions and structure components;
- Made from heavy-duty 6061 aluminum extrusion with anodized surface for long-time use;
- With 4mm diameter through-holes on 16mm increments.

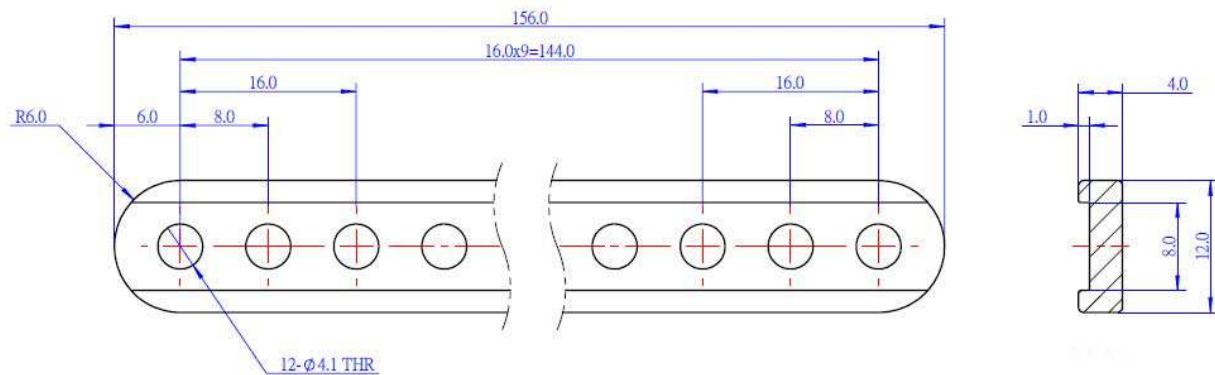
Note

This page is for Beam 0412-156 with length of 156mm. For other configuration, please search Beam 0412 in our website.

Building Examples:



Size Chart (mm):



Specifications

SKU	60717
Material	6061 Aluminum
Diameter of holes	4mm
Cross-section area	4 x 12mm
Length	156mm
Package content	4 x Beam 0412-156
Dimension	156 x 12 x 4mm (6.14 x 0.47 x 0.16")
Net Weight	56.8g (2oz)