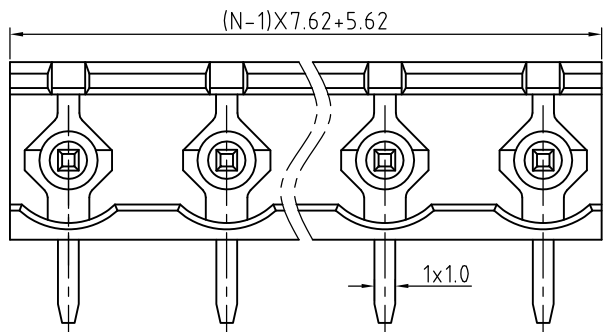
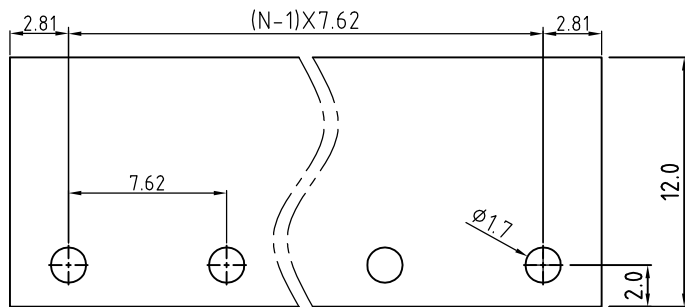
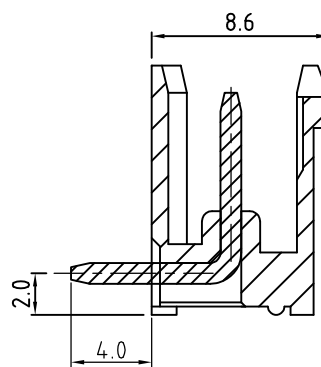
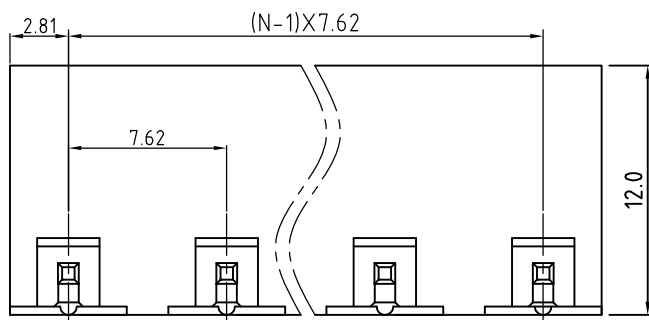


Transfer or duplication of this document as well as the utilisation or communication of its content are not permitted unless express consent is granted. Violations give rise to claims for damages. All rights reserved in case of patent, utility model or design patent registrations.



N=Number of contacts



PCB. LAYOUT

Technical Data:
Electrical
 Pitch: 7.62mm
 Voltage rating: 300V
 Current rating: 16 Amps
 Withstanding Voltage: 2500VAC(1min)
Mechanical:
 Operating temperature: -40°C to +105°C
 Soldering temperature:
 Temperature= 250°C±10°C /5 seconds max
 Safety approval:
 Rohs Compliance

Part No.:

OSTOQXX0051

No. of Poles
 02 2 Poles
 03 3 Poles

 24 24 Poles

COLOR
 0: Black
 2: Red
 3: Orange
 4: Yellow
 5: Green (Standard)
 6: Blue
 8: Grey

Nonstandard colors
 Mins could apply

| | | | | |
|------|--------------|----------------------------|---------------|------------|
| 2 | Pin | Copper Alloy | Tin plated | 1xN |
| 1 | Body | PA66-30%GF UL94V | | 1 |
| ITEM | NAME OF PART | MATERIAL | NOTES | Q"TY |
| DWG | DATE | UNITS: MM | SHEET: 1 OF 1 | Tolerance |
| CHK. | DATE | SCALE: NONE 4:1 (:) | REV.: A | X. ±0.50 |
| APP. | DATE | TITLE: OSTOQ SERIES 7.62MM | | X.XX ±0.30 |
| | | OPEN RIGHT ANGLE | | X.XX ±0.10 |
| | | PART NO. OSTOQXX0051 | | X* ±1° |
| | | DWG NO. OSTOQXX0051.DWG | | |

| | | | | |
|-----|------|-------------|------|------|
| REV | SIGN | DESCRIPTION | CHK. | DATE |
| | | | | |



ON-SHORE TECHNOLOGY, INC.