

2878- * * - * - *

MATERIAL CODE (.27)/.0106 THK

A=BRASS
B=PHOS BRONZE

WINDING SPEC.

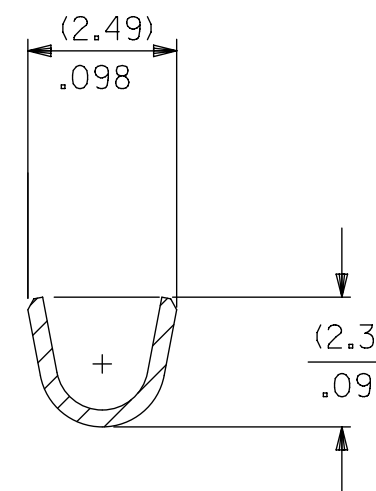
A=PER WINDING DETAIL A
B=PER WINDING DETAIL B
L=LOOSE

PLATING CODE

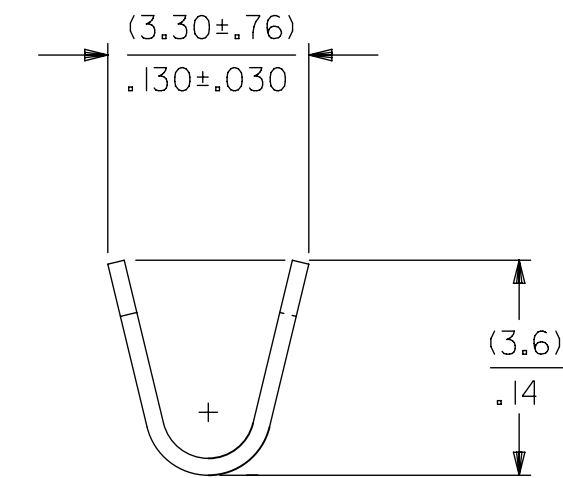
OPTION CODE

A= OVERALL PLTGS, AND STD GOLD LOC
B= LARGER SELECT GOLD LOCATION

(P909) OVERALL HOT TIN DIP: (0.00254)/.000100 MIN.
(550) SELECT GOLD: (0.00038)/.000015 MIN.
OVERALL GOLD FLASH: (0.00005)/.000002 MIN.
OVERALL NICKEL UNDERPLATE: (0.00076)/.000030 MIN.
(555) SELECT GOLD: (0.00038)/.000015 MIN.
OVERALL NICKEL UNDERPLATE: (0.00076)/.000030 MIN.



SECTION A-A
BACKGROUND OMITTED



BACKGROUND OMITTED

1. MATERIAL: SEE LEGEND
2. FINISH: SEE LEGEND
3. THIS PART CONFORMS TO PRODUCT SPECIFICATIONS PS-08-50, PS-172160-0001
4. PACKAGING SPECIFICATION: LOOSE FORM: PK-2759-001
CHAIN FORM: PK-2759-002
5. CRIMP ACCEPTS 18 TO 20 AWG WIRE WITH (2.79)/.110 MAX. INSULATION DIAMETER WHEN USED WITH 172159 SERIES HOUSINGS, (2.54)/.100 MAX INSUATION DIAMETER WHEN USED WITH 2139 OR 3069 SERIES HOUSINGS. CRIMP ACCEPTS (3.00)/.118 MAX. INSULATION DIAMETER WITH SPECIAL TOOLING.
6. (0.86±0.05)/.034±.002 IS AN OPTIONAL DESIGN
7. PARTS CONFORM TO CLASS B REQUIREMENTS OF COSMETIC SPECIFICATION PS-45499-002
8. MATING TERMINALS TO ROUND PINS IS NOT RECOMMENDED

THIS DRAWING CONTAINS INFORMATION THAT IS PROPRIETARY TO MOLEX ELECTRONIC TECHNOLOGIES, LLC AND SHOULD NOT BE USED WITHOUT WRITTEN PERMISSION									
SYMBOLS		DIMENSION UNITS		SCALE		CURRENT REV DESC: NOTE 4 UPDATED			
∇ = 0	MM/IN	1:1							
∇ = 0	GENERAL TOLERANCES (UNLESS SPECIFIED)								
∇ = 0		MM	INCH	EC NO: 605479					
S = 0	4 PLACES	±	±	DRWN: SS06 2018/09/12					
∇ = 0	3 PLACES	±	± 0.005	CHK'D: ISHWARG 2018/10/05					
∇ = 0	2 PLACES	± 0.13	± 0.01	APPR: ISHWARG 2018/10/05					
∇ = 0	1 PLACE	± 0.25	±	INITIAL REVISION:					
∇ = 0	0 PLACES	±	±	DRWN: COMSTOCK 1988/11/29					
∇ = 0	ANGULAR TOL	± 0.5°		APPR: FSMITH 2015/02/18					
∇ = 0	DRAFT WHERE APPLICABLE MUST REMAIN WITHIN DIMENSIONS		THIRD ANGLE PROJECTION		DRAWING		SERIES		
					C-SIZE	2878			

				TERMINAL,DBL.CANTILEVER					
				KK CRIMP TYPE BIFURCATED					
PRODUCT CUSTOMER DRAWING									
DOCUMENT NUMBER				DOC TYPE		DOC PART		REVISION	
SD-2878				PSD		001		AM2	
MATERIAL NUMBER		CUSTOMER		SHEET NUMBER					
SEE CHART		GENERAL MARKET		1 OF 2					

