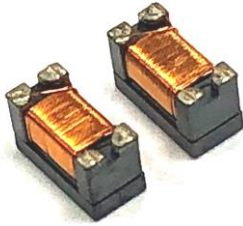


## BWDM Series



A full series of common mode choke is designed for excellent noise attenuation with compact sizing for use in wide range of applications. Both standard series and custom designs are available.

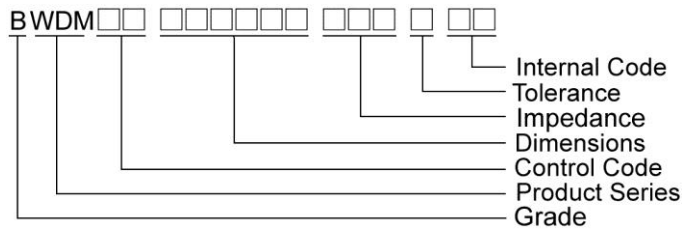
### Features

- RoHS Compliant
- Miniature SMD type common mode filter for fully automated assembly
- High Inductance at high frequency effects excellent noise suppression performance
- Excellent solderability

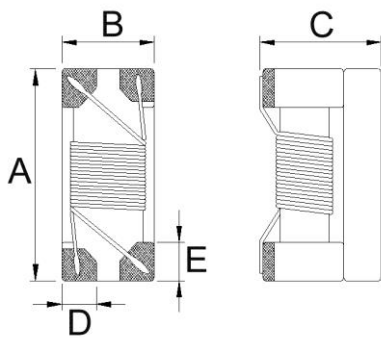
### Applications

- USB line for personal computers and peripheral
- IEEE 1394 line for personal computers, DVC, STB
- LVDS, panel line for liquid display panels, graph card etc

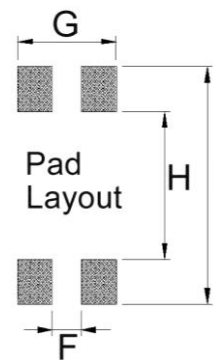
### Product Identification



### Shape and Dimensions



### Recommended Pattern



Dimensions in mm

| TYPE         | A       | B       | C       | D   | E   | F   | G   | H   | I   |
|--------------|---------|---------|---------|-----|-----|-----|-----|-----|-----|
| BWDM00341620 | 3.4±0.2 | 1.6±0.2 | 2.0±0.2 | 0.6 | 0.6 | 0.5 | 1.7 | 2.3 | 3.7 |

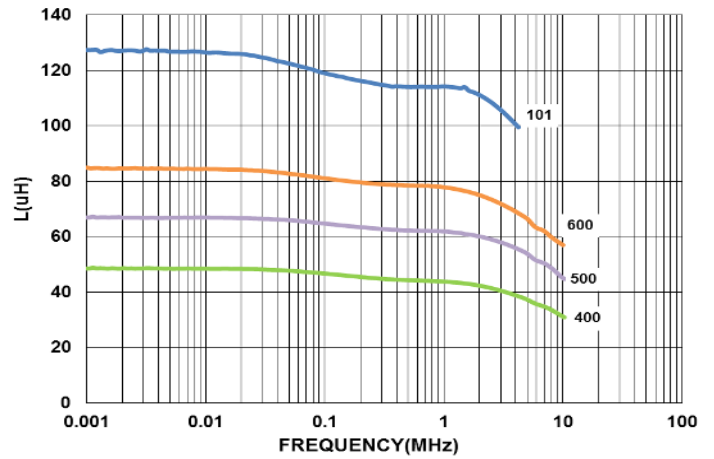
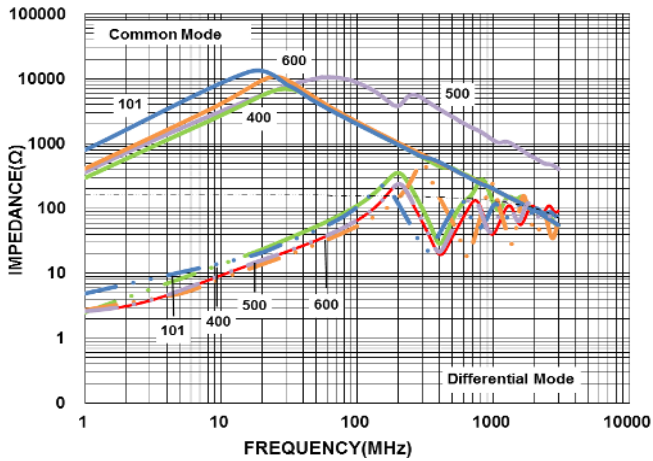
# SMD Common Mode Choke – BWDM Series

## Electrical Characteristics

| Part Number        | Inductance (uH) Min | Test Frequency (kHz) | RDC ( $\Omega$ ) Max | I <sub>rms</sub> (mA) Max | Rated Voltage (Vdc) | Withstanding Voltage (Vdc) | Insulation Resistance (M $\Omega$ ) Min |
|--------------------|---------------------|----------------------|----------------------|---------------------------|---------------------|----------------------------|---|
| BWDM00341620400X00 | 40                  | 100                  | 1.5                  | 300                       | 50                  | 125                        | 10                                      |
| BWDM00341620600X00 | 60                  | 100                  | 1.7                  | 200                       | 50                  | 125                        | 10                                      |
| BWDM00341620101X00 | 105                 | 100                  | 3.0                  | 120                       | 50                  | 125                        | 10                                      |

- Operating temperature range - 40°C ~ 105°C(Including self - temperature rise)
- I<sub>rms</sub> for a 20°C temperature rise from 25°C ambient.
- Measure Equipment :  
 L : Agilent HP4286A / HP4287A / AgilentE4991A  
 RDC : Chroma 16502 (Single Wire Test Value)  
 I<sub>rms</sub> : HP4284A+HP42841A/HP4285A+HP42841A  
 Insulation Resistance : Agilent HP4339B

## Test Instruments :

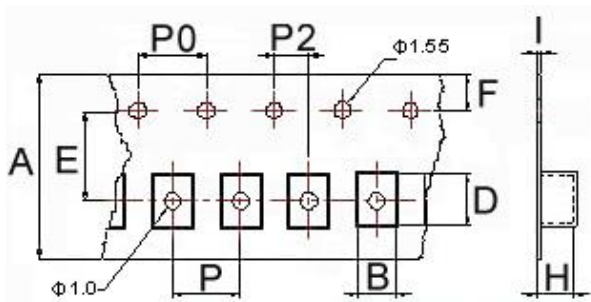


Please be sure to request approval specifications that provide further details of the products. Kindly note that the content of these specifications are subject to change or may be discontinued without prior notice. This product may not be designed/used in medical or high risk applications without Chilisin approval. Please contact our sales department before ordering.

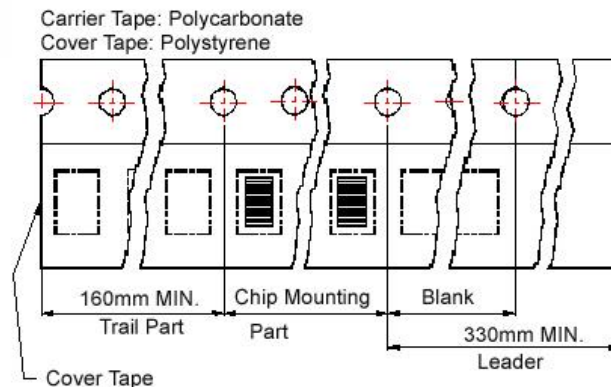
# SMD Common Mode Choke – BWDM Series

## Packaging Specifications

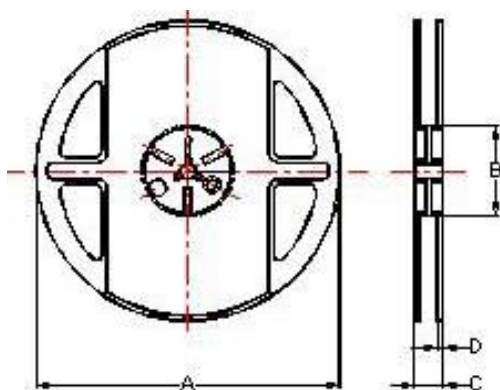
Tape Dimensions



Tape Material



Reel Dimensions



Dimensions in mm

| TYPE         | Tape Dimensions |      |      |     |      |      |      |   |    |    | Reel Dimensions |    |    |     | Quantity   |
|--------------|-----------------|------|------|-----|------|------|------|---|----|----|-----------------|----|----|-----|------------|
|              | A               | B    | D    | E   | F    | H    | I    | P | P0 | P2 | A               | B  | C  | D   | PCS / Reel |
| BWDM00341620 | 8               | 1.76 | 3.47 | 3.5 | 1.75 | 2.05 | 0.22 | 4 | 4  | 2  | 178             | 60 | 12 | 1.5 | 2000       |