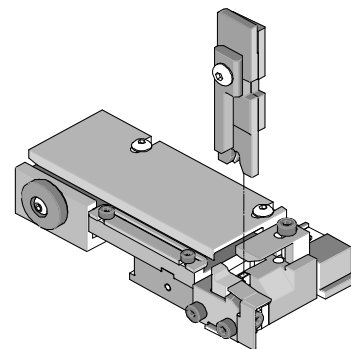




## T2 Terminator Tooling Specification Sheet Part No. 63856-3000



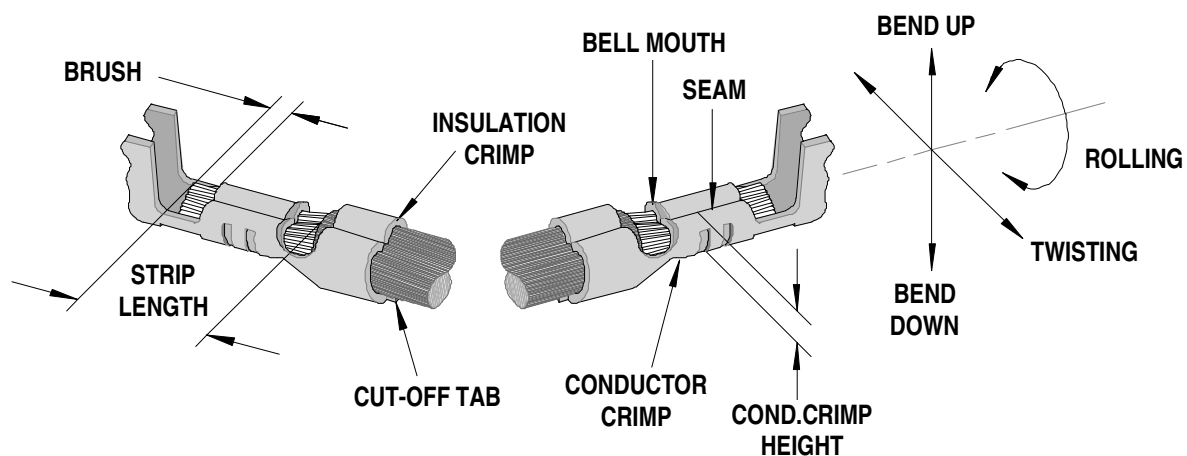
### FEATURES

- It is ideally suited for mid-volume bench operations
- This terminator can be installed in the TM42 and the TM40 press or Base Unit adapter for 3BF press
- Quick punch removal with the push of a button for fast and easy tooling change
- Track adjustment capabilities in the T2 Terminators for improved control of the bell mouth size and cutoff tab length
- T2 Terminator has standardized tooling with the Molex FineAdjust Applicator which will reduce your inventory requirements

### SCOPE

Terminal Series No.	Wire Size		Insulation Diameter		Strip Length	
	AWG	mm <sup>2</sup>	mm	In.	mm	In.
42023-****	14-16	1.30-2.00	2.28-3.30	.090-.130	3.96-5.54	.156-.218
42024-****	14-16	1.30-2.00	2.28-3.30	.090-.130	3.96-5.54	.156-.218

### DEFINITION OF TERMS



The above terminal drawing is a generic terminal representation. It is not an image of a terminal listed in the scope.

**CRIMP SPECIFICATION**

Terminal Series No.	Bell mouth		Cut-off Tab Max.		Conductor Brush	
	mm	In.	mm	In.	mm	In.
42023-****	.25-.51	.010-.020	.13	.005	.38-.70	.015-.027
42024-****	.25-.51	.010-.020	.13	.005	.38-.70	.015-.027

Terminal Series No.	Bend up Bend down		Twist	Roll	Punch Width mm (Ref)				Seam Seam shall not be open and no wire allowed out of the crimping area
	Degree				Degree		Conductor		
	mm	In	mm	In	mm	In	mm	In	
42023-****	3	3	4	8	2.30	.090	3.60	.142	
42024-****	3	3	4	8	2.30	.090	3.60	.142	

After crimping, the conductor profile should measure the following.

Terminal Series No.	Wire Size		Conductor Crimp				Pull Force Min.	
			Height		Width			
	AWG	mm <sub>2</sub>	mm	In	mm	In	N	Lb.
42023-****	14	2.00	1.70-1.80	.067-.071	2.33-2.53	.092-.100	222.4	50.0
42023-****	16	1.30	1.45-1.55	.057-.061	2.31-2.51	.091-.099	200.2	45.0
42024-****	14	2.00	1.70-1.80	.067-.071	2.33-2.53	.092-.100	222.4	50.0
42024-****	16	1.30	1.45-1.55	.057-.061	2.31-2.51	.091-.099	200.2	45.0

Pull Force should be measured with no influence from the insulation crimp.

The above specifications are guidelines to an optimum crimp.

**PARTS LIST**

Item	Order No	Engineering No.	Description	Quantity
	<b>63856-3000</b>	<b>63856-3000</b>	<b>T2 Terminator (Fig. 1)</b>	<b>REF</b>
1	63444-2313	63444-2313	Conductor Punch	1 Y
2	63445-2343	63445-2343	Conductor Anvil	1 Y
3	63446-3622	63446-3622	Insulation Punch	1 Y
4	63445-3643	63445-3643	Insulation Anvil	1 Y
5	63443-0002	63443-0002	Cut-Off Plunger	1 Y
6	63443-0012	63443-0012	Front Plunger Retainer	1 Y
7	11-24-1067	4996-4	Cut-Off Plunger Spring	1
8	63443-3160	63443-3160	Front Plunger Striker	1
9	63443-0021	63443-0021	Lower Tooling Key	1
10	63443-6011	63443-6011	Rear Cover	1
11	11-18-4083	60707-8	Front Cover	1
12	63443-2415	63443-2415	Anvil Mount	1
13	63443-4006	63443-4006	Wire Stop	1
14	63443-0009	63443-0009	Scrap Chute	1
15	63800-8500	63800-8500	T2 Terminator	1
16	63860-2015	63860-2015	* Drag Frame (Modified)	1
17	N/A	N/A	M3 by 6Lg. SHCS	2**
18	N/A	N/A	M4 by 6Lg. SHCS	1**
19	N/A	N/A	M4 by 12Lg. BHCS	2**
20	N/A	N/A	M4 by 16Lg. SHCS	1**
21	N/A	N/A	M4 by 20Lg. SHCS	1**
22	N/A	N/A	M4 by 50Lg. SHCS	1**
23	N/A	N/A	3MM by 6Lg. Roll Pin	1**
24	N/A	N/A	#10-32 by 3/8"Lg. BHCS	1**
	63856-3070	63856-3070	Tool Kit (All Y Items)	1

\* Frame part - To be modified.

\*\* The following purchased parts are available from an Industrial supply company such as MSC (1-800-645-7270).

# Assembly Drawing

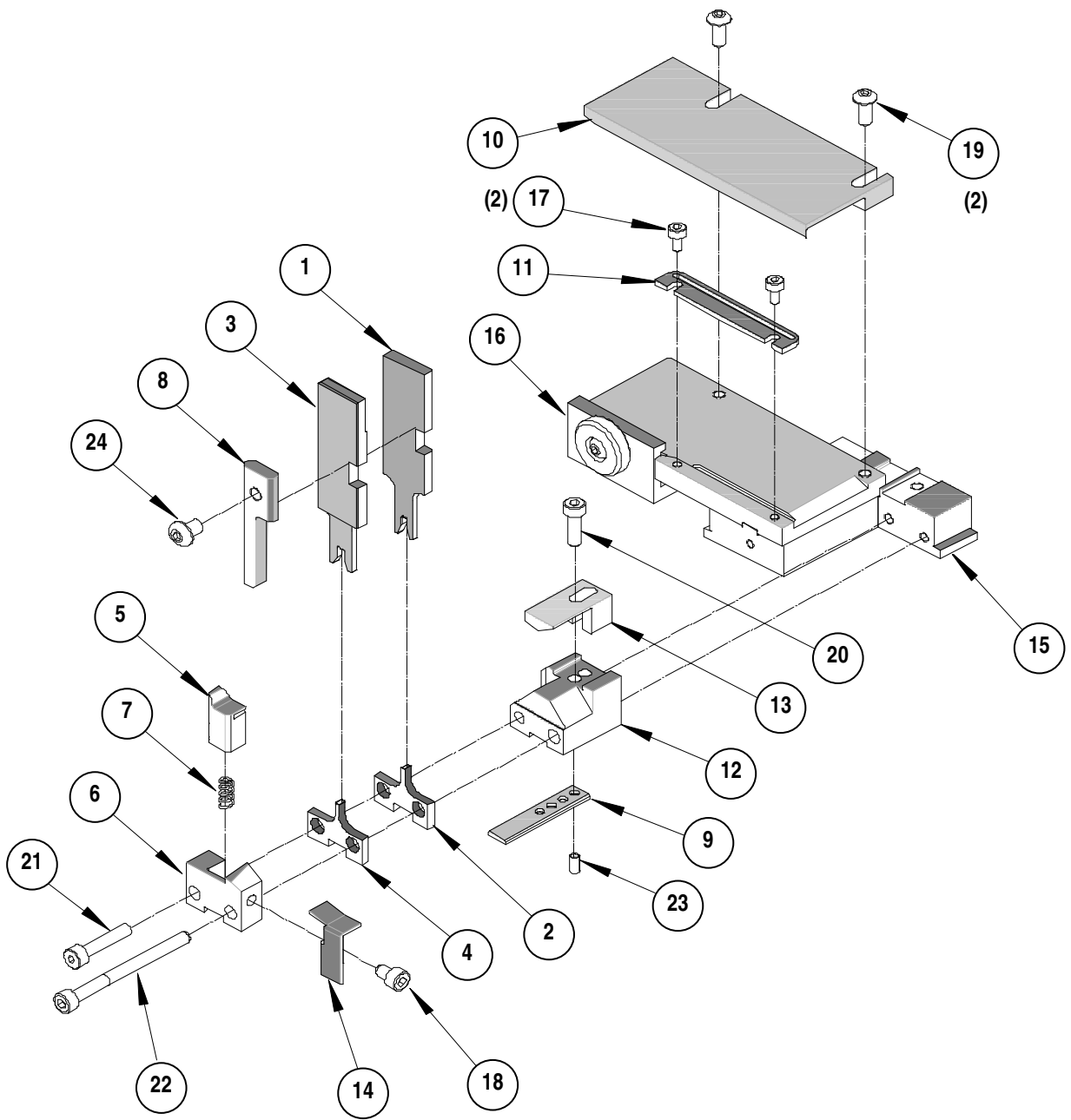


Figure 1

## NOTES

Depending on the press vintage a feed finger assembly is supplied with the T2 Terminator.

1. To remove the existing feed finger assembly loosens the M4 x 10 mm set screw in the feed lever.
2. Select T2 Feed finger assembly from Terminator box.
3. Insert a screwdriver into the slot behind the feed lever and force the feed arm spring to the right.
4. Slide the T2 feed finger shaft for TM42 (11-40-5307) or (11-40-0123) for TM40 /Base Unit into the feed lever and to the left of the feed arm spring.
5. Release the feed arm spring.
6. Position feed finger for selected product. (Refer to Figure 5.1 in the T2 Manual).

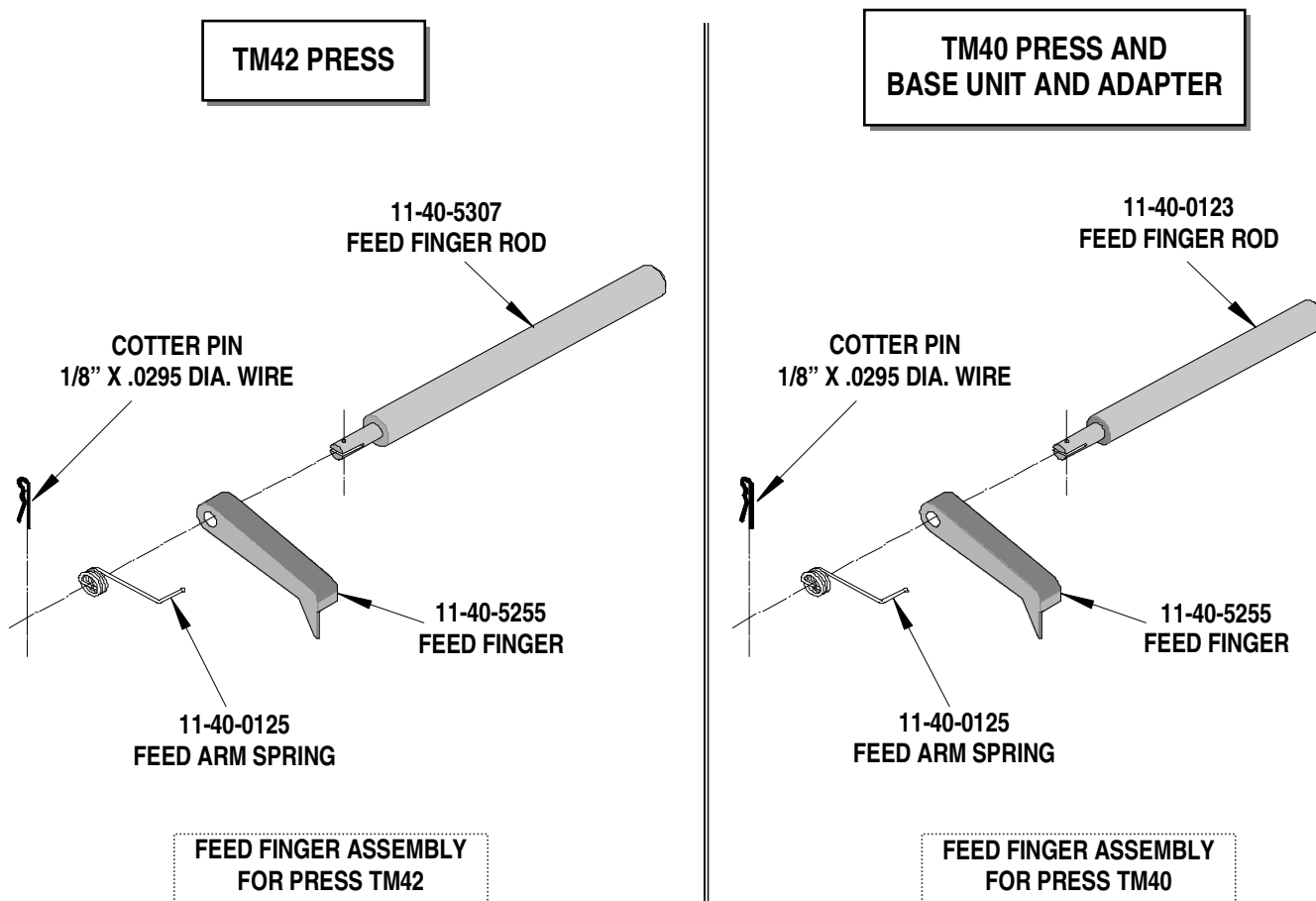


Figure 2

## NOTES

1. Molex recommends an extra perishable tooling kit be maintained at your facility.
2. Verify tooling alignment by manually cycling the press before crimping under power. Check that all screws are tight.
3. Slugs, Terminals, Dirt and Oil should be kept clear of work area.
4. This Terminator should be only used in a Molex TM42, TM40, or 3BF Press with a Base Unit adaptor.
5. Wear safety glasses at all times.
6. For recommended maintenance refer to the TM40, TM42 Manual.

**CAUTION:** To prevent injury never operate this Terminator without the guards supplied with the press or in place. Reference the TM42 press manufacturer's instruction manual.

**CAUTION:** Molex crimp specifications are valid only when used with Molex terminals, applicators and

### **Molex Application Tooling Group**

1150 E. Diehl Road  
Naperville, IL 60563  
Tel: (630) 969-4550  
Fax: (630) 505-0049

Visit our Web site at <http://www.molex.com>