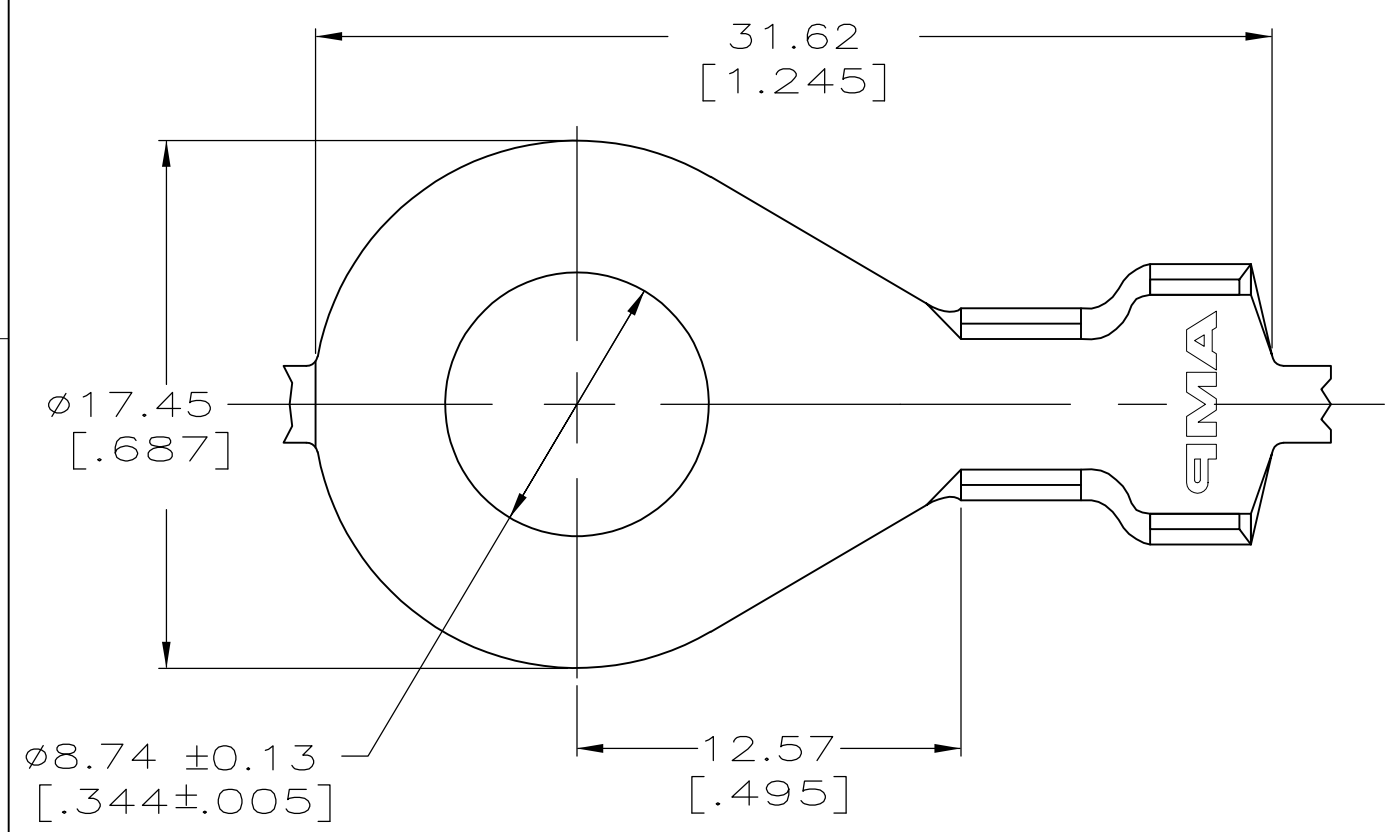
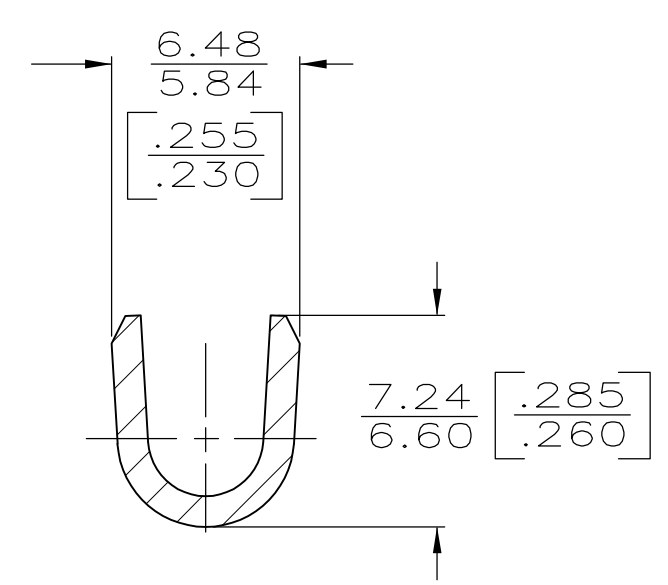
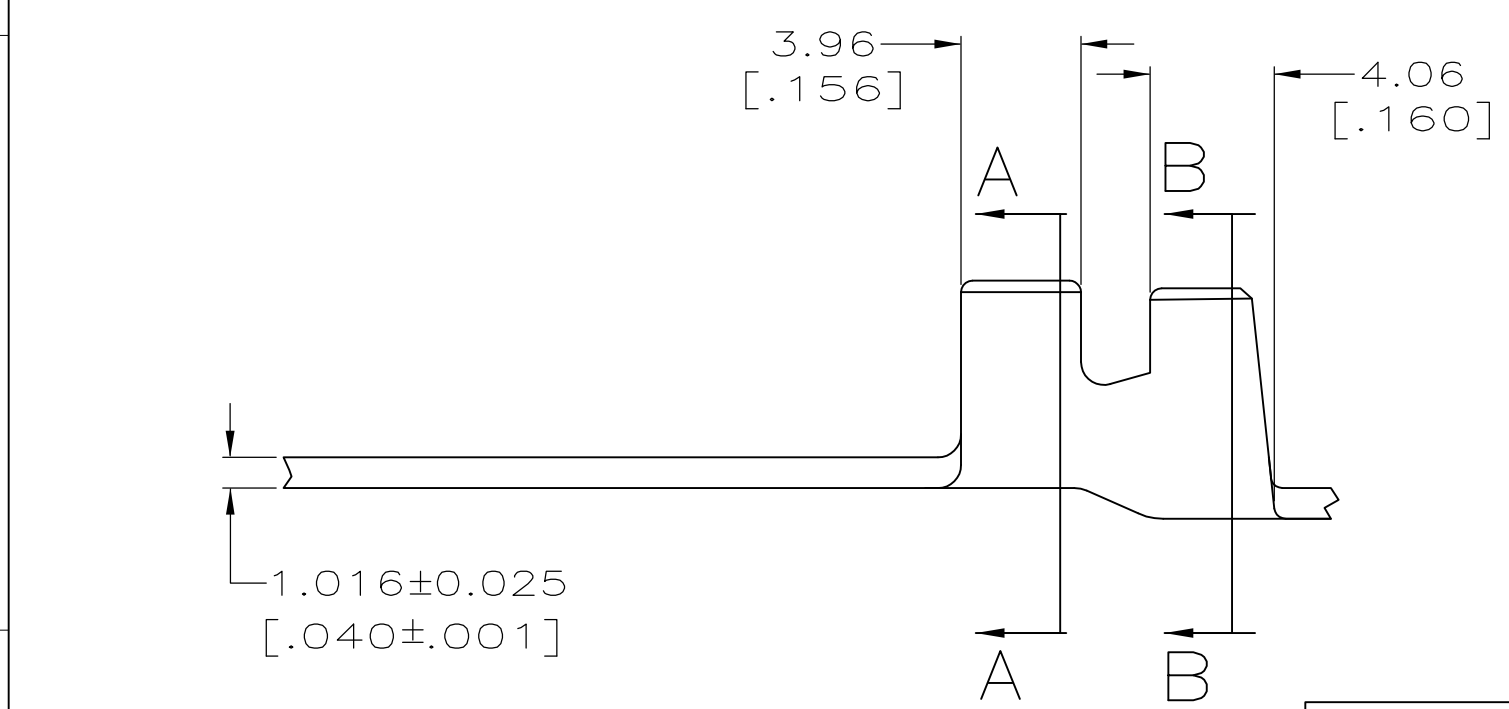


THIS DRAWING IS UNPUBLISHED. RELEASED FOR PUBLICATION
 © COPYRIGHT - BY TYCO ELECTRONICS CORPORATION. ALL INTERNATIONAL RIGHTS RESERVED.

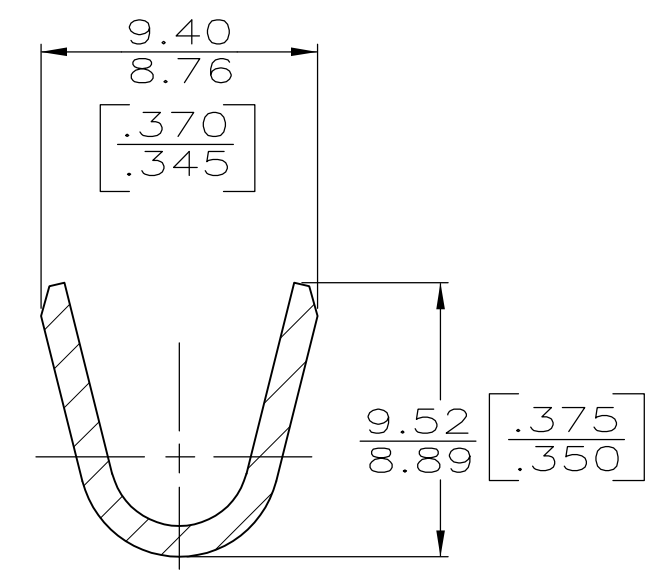
| LOC | DIST | REVISIONS | | | | | |
|-----|------|-----------|-----|---------------------------|---------|-----|------|
| AF | 50 | P | LTR | DESCRIPTION | DATE | DWN | APVD |
| | | N | | REVISED PER ECR-08-008189 | 24NOV08 | HMR | DD |



1 CONTINUOUS STRIP ON REEL.



SECTION A-A



SECTION B-B

| | | |
|-----------------------------|------------|---------|
| 3.81-5.59 DIA [.150-220] | [12-8] AWG | 42946-2 |
| INSULATION RANGE | WIRE RANGE | PART NO |

| | | | | |
|---|--|---------------------------------------|---|-----------------------|
| THIS DRAWING IS A CONTROLLED DOCUMENT. | | DWN PHILLIP M FORTNEY 25/JAN/96 | Tyco Electronics Tyco Electronics Corporation Harrisburg, PA 17105-3608 | |
| DIMENSIONS: mm [INCHES] | | CHK JEFF R RUTH 25/JAN/96 | NAME | |
| TOLERANCES UNLESS OTHERWISE SPECIFIED: | | APVD GARY N YETTER 25/JAN/96 | RING | |
| <ul style="list-style-type: none"> 0 PLC ± - 1 PLC ± - 2 PLC ± 0.25 [.010] 3 PLC ± - 4 PLC ± - ANGLES ± - | | PRODUCT SPEC - | RESTRICTED TO | |
| MATERIAL 082 BRASS | | FINISH TIN PLATING | APPLICATION SPEC - | SIZE A3 |
| | | WEIGHT - | CAGE CODE 00779 | DRAWING NO C-42946 |
| CUSTOMER DRAWING | | | SCALE 4:1 | SHEET 1 OF 1 |
| | | | REV N | |