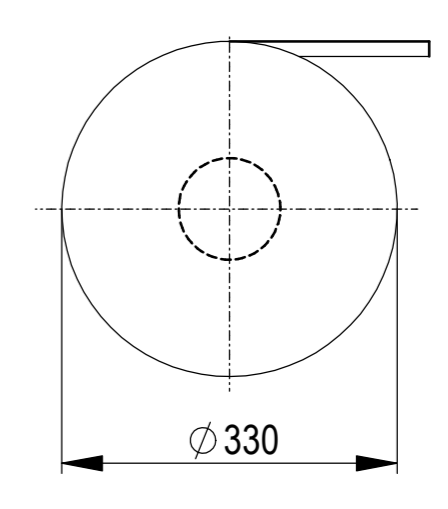
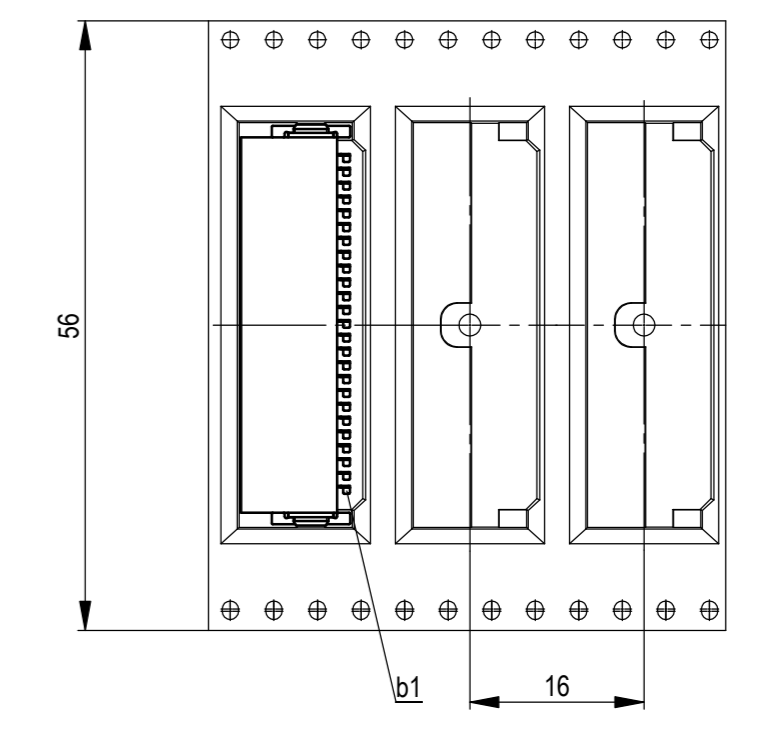


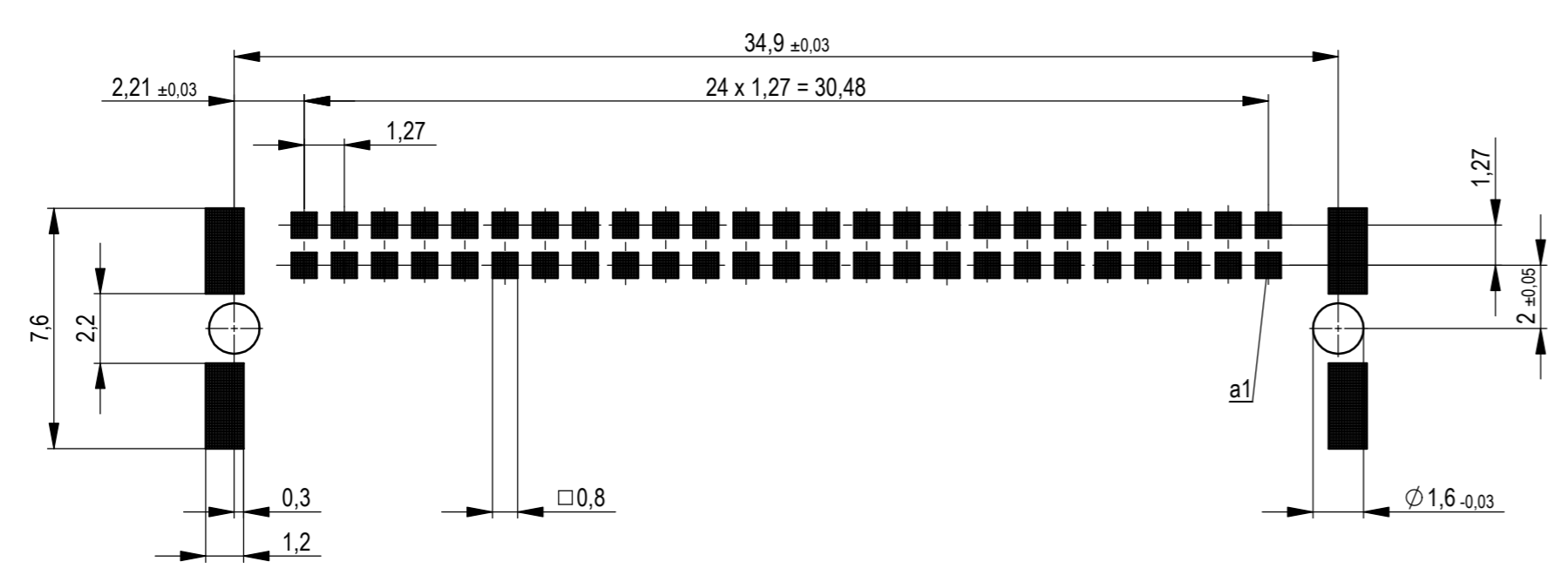
Verpackt im Gurt in Anlehnung an DIN IEC 60286-3
 tape on reel packaging according to DIN IEC 60286-3
 Verpackungseinheit: 560 Stück
 packaging unit: 560 pcs



Abspulrichtung - reel off direction →



Leiterplatten-Layout Vorschlag für SMT
 PCB-Layout Proposal for SMT



Anforderungsstufe 1
 performance level 1
 Kontaktbereich vergoldet
 mating area gold plating
 Anschlussbereich verzinkt 4-6 µm
 terminal area 4-6 µm tin plating
 Koplanarität der Anschlüsse ≤ 0,1 mm
 coplanarity area of termination ≤ 0,1 mm

BA7-03 - Standard Bauhöhe
 type7-03 - Standard Assembly Height

Wichtigste Voraussetzung dieses Dokuments: Verwendung und Fälligkeit dieses Dokuments sind ausschließlich für den Fall der Prüfung, der Nachbearbeitung oder der Montage vorgesehen.
 The reproduction, distribution and utilization of this document as well as the communication of its content to third parties is prohibited without the prior written consent of the responsible person.
 Die Rechte an diesem Dokument sind vorbehalten.
 The permission to use this drawing has been granted for convenience only.
 All rights reserved. No part of this drawing may be reproduced, stored in a retrieval system, or transmitted in any form or by any means, electronic, mechanical, photocopying, recording, or by any information storage and retrieval system, without the prior written permission of the responsible person.

Dimension no.	Tolerances	Scale	5:1
	ISO 8015	Material	
Customer drawing:	Subject to modification without prior notice. Drawing will not be updated.		
All rights reserved. Only for information. To ensure that this is the latest version of this drawing, please contact one of the ERNI companies before using.	ERNI International AG Zürichstrasse 72 8306 Brüttisellen - Zürich Switzerland		Messerli. SMC-B 50-SMD-BA7-03 Male SMC-B 50-SMD-type7-03 154765
f	28.01.2020		i
Index	Date		A2
Class		SMCB	