

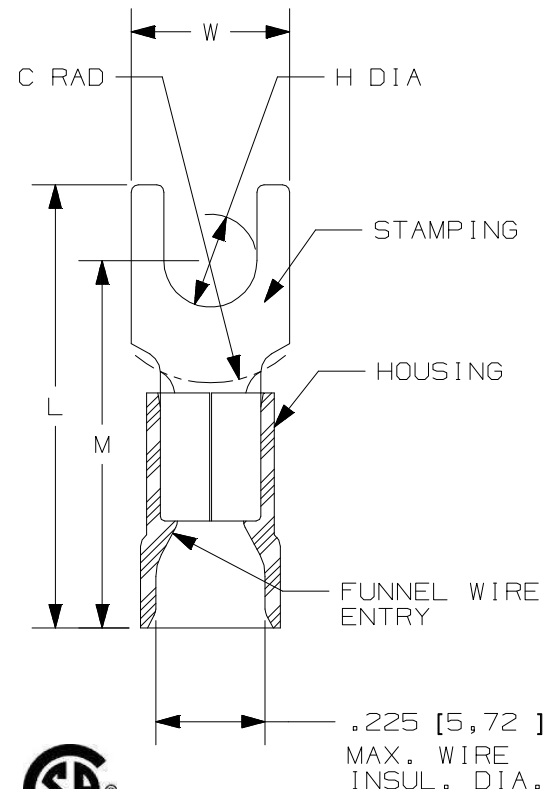
THIS COPY IS PROVIDED ON A RESTRICTED BASIS AND IS NOT TO BE USED IN ANY WAY DETRIMENTAL TO THE INTERESTS OF PANDUIT CORP.

PANDUIT PART #	STUD SIZE		DIMENSIONS in. [mm]				
	ENGLISH	METRIC	L ± .03 [0,51]	W ± .01 [0,25]	C ± .02 [0,38]	M ± .03 [0,51]	H ± .01 [0,25]
PV10-6F	#6	M3,5	1.01 [25,65]	.31 [7,87]	.25 [6,35]	.81 [20,57]	.14 [3,56]
PV10-8F	#8	M4	1.04 [26,42]	.37 [9,40]	.25 [6,35]	.81 [20,57]	.17 [4,32]
PV10-10F	#10	--	1.04 [26,42]	.37 [9,40]	.25 [6,35]	.81 [20,57]	.20 [5,08]
PMV6-5F	--	M5	1.04 [26,42]	.38 [9,65]	.22 [5,59]	.81 [20,57]	.21 [5,33]
PV10-14F	1/4"	M6	1.14 [28,96]	.49 [12,45]	.32 [8,13]	.88 [22,35]	.26 [6,60]

UL & CSA TOOLS (DIES)
 CT-100A*
 CT-600-A (CT-550CH)
 CT-1550
 CT-1551
 CT-2500 (CT-2550CH)

*RATED FOR 300V, 75°C

PANDUIT APPROVED TOOLS
 CT-160
 CT-260
 CT-400
 CT-460



NOTES:

1. UL LISTED & CSA CERTIFIED FOR:

- A. 12-10 AWG [4,0-6,0 mm²] SOLID OR STRANDED COPPER WIRE
- B. 221°F [105°C] MAX. OPERATING TEMPERATURE
- C. 600V. MAX. BLDG WIRE (1000 V. MAX. IN SIGNS, FIXTURES & LUMINAIRES)

2. SEE www.panduit.com FOR PACKAGE QUANTITIES

3. MATERIAL:

- A. STAMPING: .040" [1,02] THK COPPER, TIN PLATED
- B. HOUSING: VINYL, YELLOW

4. DIMENSIONS IN BRACKETS ARE METRIC EQUIVALENT

5. WIRE STRIP LENGTH: 5/16 ^{+1/32} [7,9 ^{+0,8}] ₋₀ ₋₀



B

B

A

A

TITLE 2 PC. VINYL INSULATED, #12-10 BARREL, FORKS CUSTOMER DRAWING												
ITEM REVISION NAME N41189BA/06												
DATASET FILE NAME N41189BA_DC/06												
UNLESS OTHERWISE SPECIFIED, DIMENSIONAL TOLERANCES ARE: IN [mm] .X ± .XXX ± .XX ± ANGLES ±												
THIRD ANGLE PROJECTION 												
DRAWN BY FES	DATE -											
CHK FS	SCALE N.T.S.											
MATERIAL: SEE NOTES												
DRAWING NUMBER: A41189												
REV	DATE	BY	CHK	APR	DESCRIPTION	ECN	FES	-	FS	N.T.S.	SHEET 1 OF 1	SIZE A

D10100DA12