

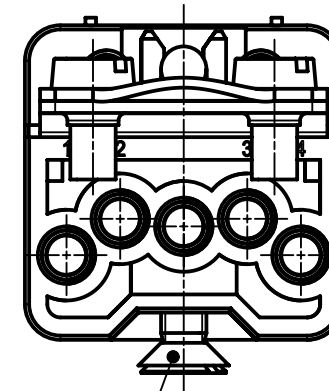
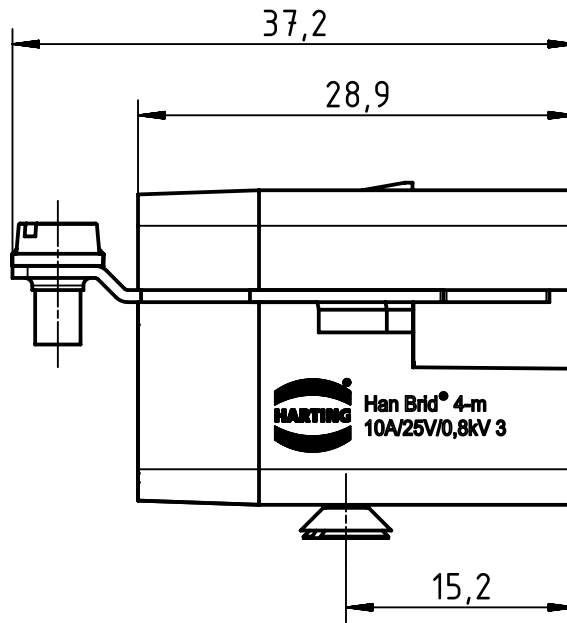
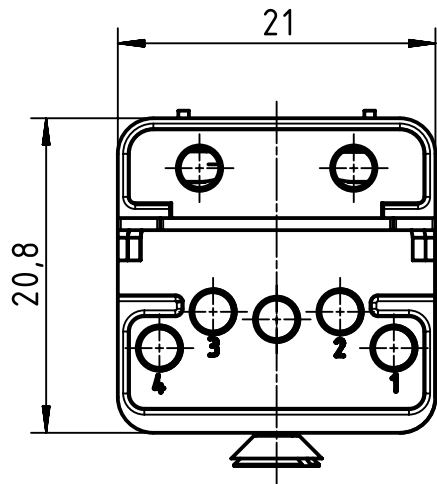
1 2 3 4 5 6

A

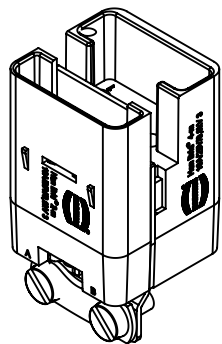
B

C

D



countersunk screw M3x6
enclosed separately



	All Dimensions in mm Original Size DIN A4	Scale	Free size tol.		Ref.
		2:1			Sub.
	All rights reserved Department EL PD - DE	Created by	Inspected by	Standardisation	Date
		RULLKOETTER	RIEPE	RUETERA	2017-10-04
Title Han Brid-M-c + CU-Bus-M-c _Kabelseite_					State Final Release
HARTING Electric GmbH & Co. KG D-32339 Espelkamp					Doc-Key / ECM-Nr. 100205818/UGD/004/B 500000126086
Type	TB	Number	09 12 006 3001		Rev. B Page 1/1