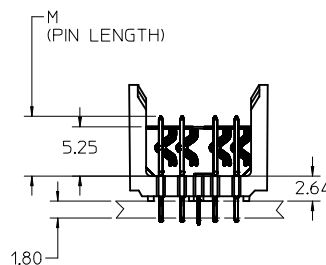
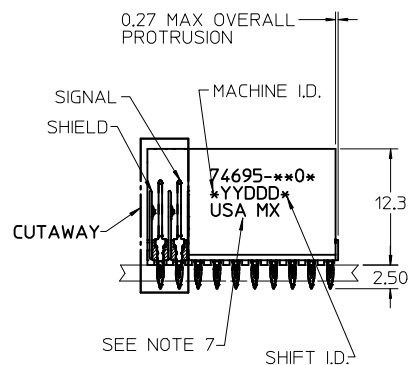
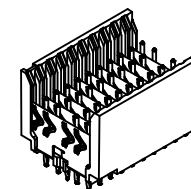


$\varnothing 0.66$ DRILL
 $\varnothing 0.56 \pm 0.05$ PTH
 $\varnothing 1.00$ PAD
 $\varnothing \varnothing 0.10$

BACKPLANE HOLE PATTERN
RECOMMENDED DIMENSION

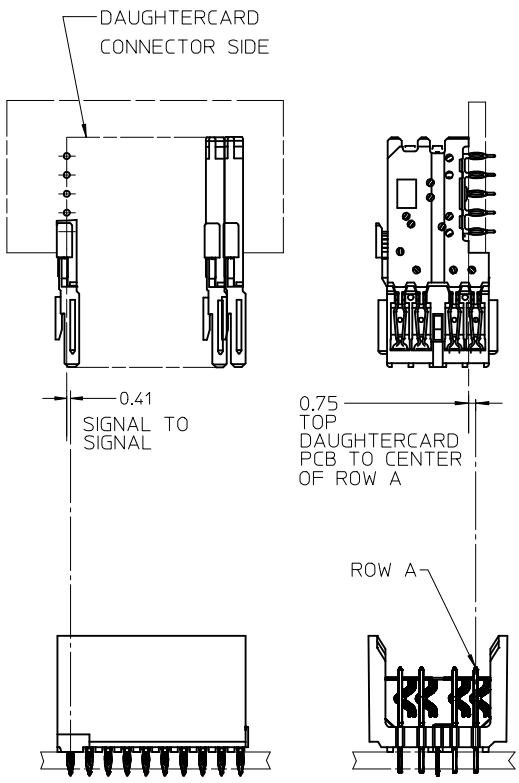


NOTES:

1. MATERIAL: HOUSING -LIQUID CRYSTAL POLYMER (LCP). GLASS-FILLED. UL 94 V-0. COLOR BLACK. SIGNAL & SHIELD -COPPER ALLOY.
2. FINISHES: SELECTIVE GOLD (Au) ON CONTACT AREA. SELECTIVE MATTE TIN (Sn) ON PCB TAILS. NICKEL (Ni) OVERALL.
3. THIS PART CONFORMS TO MOLEX PRODUCT SPECIFICATION PS-74031-999.
4. FOR MIXED CONTACT MATING LENGTHS CONSULT MOLEX FOR AVAILABILITY.
5. FOR SPECIFIC PART NUMBER AND MATING INFORMATION REFER TO SHEET 2.
6. PACKAGE PER PK-74695-003.
7. EITHER MARK PART NUMBER AND DATE CODE APPROXIMATELY WHERE SHOWN OR PLACE LABEL ON THE TUBE.
8. MAPS (MOLEX ADVANCED PLATING SYSTEM).

THE PRIMARY CARTON WITH A LABEL STATING "ELV AND RoHS COMPLIANT" IS LEAD FREE. CARTONS WITHOUT THIS LABEL MAY CONTAIN LEAD.

LEAD FREE CONVERSION EC NO: UCP2013-0687 DRAWINGS: 2012/08/20 CHKD:MWLF 2012/11/28 APPR:SMILLER 2012/12/14 REV:	QUALITY SYMBOLS	GENERAL TOLERANCES (UNLESS SPECIFIED)	DIMENSION STYLE MM ONLY	SCALE 2.5:1	DESIGN UNITS METRIC	THIRD ANGLE PROJECTION
	▽=0	mm INCH	DRAWN BY DATE	TITLE	HSD SALES ASSEMBLY 5 ROW OPEN END BACKPLANE molex DOCUMENT NO. SD-74695-002 SHEET NO. 1 OF 3	
	▽=0	4 PLACES ± --- ± ---	MOWANG 2001/04/11	CHECKED BY DATE		
	▽=0	3 PLACES ± --- ± ---		NMARTIN 2001/04/14		
	2 PLACES ± --- ± ---		APPROVED BY DATE			
		1 PLACE ± --- ± ---		CBIXLER 2001/04/14		
		0 PLACE ± ±				
		ANGULAR ±1/2°	MATERIAL NO.			
		DRAFT WHERE APPLICABLE MUST REMAIN WITHIN DIMENSIONS	SEE TABLES			
			SIZE C	THIS DRAWING CONTAINS INFORMATION THAT IS PROPRIETARY TO MOLEX INCORPORATED AND SHOULD NOT BE USED WITHOUT WRITTEN PERMISSION		



MATERIAL NUMBER ASSIGNMENT

74695-***0*

SEE TABLES PAGE 3.

- NUMBER OF COLUMNS/PLATING
- 10 = 10 COLUMN MATTE TIN (FORMERLY TIN/LEAD)
 - 12 = 12 COLUMN MATTE TIN (FORMERLY TIN/LEAD)
 - 25 = 25 COLUMN MATTE TIN (FORMERLY TIN/LEAD)
 - 60 = 10 COLUMN MATTE TIN (MAPS)
 - 62 = 12 COLUMN MATTE TIN (MAPS)
 - 75 = 25 COLUMN MATTE TIN (MAPS)
 - 90 = 10 COLUMN MATTE TIN
 - 92 = 12 COLUMN MATTE TIN
 - 85 = 25 COLUMN MATTE TIN

SEE SHEET 1 EC NO: UCP2013-0687 DRAWINGS: 2012/08/20 CHKD: MWOLFE 2012/11/28 APPR: SMILLER 2012/12/14	QUALITY SYMBOLS ▽=0 ▽=0 ▽=0	GENERAL TOLERANCES (UNLESS SPECIFIED) mm INCH 4 PLACES ± --- ± --- 3 PLACES ± --- ± --- 2 PLACES ± --- ± --- 1 PLACE ± --- ± --- 0 PLACE ± ±	DIMENSION STYLE MM ONLY DRAWN BY DATE MWANG 2001/04/11 CHECKED BY DATE NMARTIN 2001/04/14 APPROVED BY DATE CBIXLER 2001/04/14	SCALE 2.5:1 DESIGN UNITS METRIC THIRD ANGLE PROJECTION	TITLE HSD SALES ASSEMBLY 5 ROW OPEN END BACKPLANE molex	MATERIAL NO. SEE TABLES	DOCUMENT NO. SD-74695-002	SHEET NO. 2 OF 3
	DRAFT WHERE APPLICABLE MUST REMAIN WITHIN DIMENSIONS	ANGULAR ±1/2°	THIS DRAWING CONTAINS INFORMATION THAT IS PROPRIETARY TO MOLEX INCORPORATED AND SHOULD NOT BE USED WITHOUT WRITTEN PERMISSION					
	SIZE C							

PART NUMBER	COLUMN	NUMBER OF SIGNAL PIN	NUMBER OF SHIELD	A	B	M	GOLD THICKNESS MICROMETER	TIN THICKNESS MICROMETER
74695-6001	10	40	10	20.00	18.00	4.75	0.25 MAPS	0.76-1.52
74695-9001							0.76	
74695-9006							1.27	
74695-6201	12	48	12	24.00	22.00		0.25 MAPS	
74695-9201							0.76	
74695-9206							1.27	
74695-7501	25	100	25	50.00	18.00	0.25 MAPS		
74695-8501						0.76		
74695-8506						1.27		
74695-6002	10	40	10	20.00	18.00	0.25 MAPS		
74695-9002						0.76		
74695-9007						1.27		
74695-6202	12	48	12	24.00	22.00	0.25 MAPS		
74695-9202						0.76		
74695-9207						1.27		
74695-7502	25	100	25	50.00	18.00	0.25 MAPS		
74695-8502						0.76		
74695-8507						1.27		
74695-6003	10	40	10	20.00	18.00	0.25 MAPS		
74695-9003						0.76		
74695-9008						1.27		
74695-6203	12	48	12	24.00	22.00	0.25 MAPS		
74695-9203						0.76		
74695-9208						1.27		
74695-7503	25	100	25	50.00	18.00	0.25 MAPS		
74695-8503						0.76		
74695-8508						1.27		
74695-6004	10	40	10	20.00	18.00	0.25 MAPS		
74695-9004						0.76		
74695-9009						1.27		
74695-6204	12	48	12	24.00	22.00	0.25 MAPS		
74695-9204						0.76		
74695-9209						1.27		
74695-7504	25	100	25	50.00	18.00	0.25 MAPS		
74695-8504						0.76		
74695-8509						1.27		

PART NUMBER	COLUMN	NUMBER OF SIGNAL PIN	NUMBER OF SHIELD	A	B	M	GOLD THICKNESS MICROMETER	TIN THICKNESS MICROMETER			
74695-1001	10	40	10	20.00	18.00	4.75	0.76	0.76-1.52			
74695-1006							1.27				
74695-1201							0.76				
74695-1206	12	48	12	24.00	22.00		1.27				
74695-2501							0.76				
74695-2506							1.27				
74695-1002	10	40	10	20.00	18.00	0.76					
74695-1007						1.27					
74695-1202						12	48	12	24.00	22.00	0.76
74695-1207	1.27										
74695-2502	0.76										
74695-2507	25	100	25	50.00	48.00	1.27					
74695-1003						10	40	10	20.00	18.00	0.76
74695-1008											1.27
74695-1203	12	48	12	24.00	22.00						0.76
74695-1208						1.27					
74695-2503						25	100	25	50.00	48.00	0.76
74695-2508	1.27										
74695-1004	10	40	10	20.00	18.00						0.76
74695-1009						1.27					
74695-1204						12	48	12	24.00	22.00	0.76
74695-1209	1.27										
74695-2504	25	100	25	50.00	48.00						0.76
74695-2509						1.27					

LEAD FREE
(FORMERLY TIN/LEAD)
CHART

LEAD FREE CHART

SEE SHEET 1 EC NO: UCP2013-0687 DRAWINGS 2012/08/20 CHKD:HWOLFE 2012/11/28 APPR:SMILLER 2012/12/14	QUALITY SYMBOLS 	GENERAL TOLERANCES (UNLESS SPECIFIED)		DIMENSION STYLE	SCALE	DESIGN UNITS	THIRD ANGLE PROJECTION	
				MM ONLY	2.5:1	METRIC		
				DRAWN BY	DATE	TITLE		
				DATE	DATE	HSD SALES ASSEMBLY 5 ROW OPEN END BACKPLANE		
		ANGULAR ±1/2°		APPROVED BY	DATE	molex		
		DRAFT WHERE APPLICABLE MUST REMAIN WITHIN DIMENSIONS		MATERIAL NO.	DOCUMENT NO.	SHEET NO.		
				SEE TABLE	SD-74695-002	3 OF 3		
		THIS DRAWING CONTAINS INFORMATION THAT IS PROPRIETARY TO MOLEX INCORPORATED AND SHOULD NOT BE USED WITHOUT WRITTEN PERMISSION						