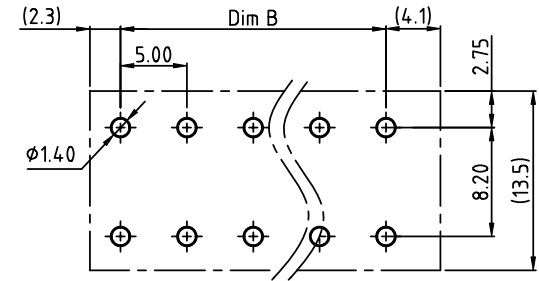
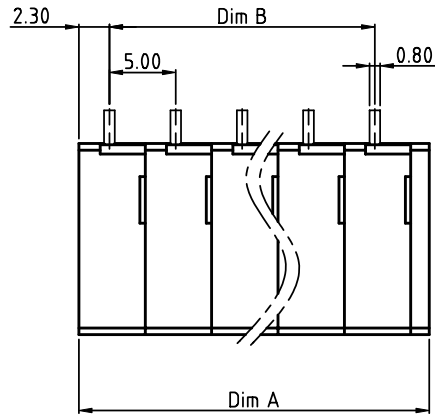
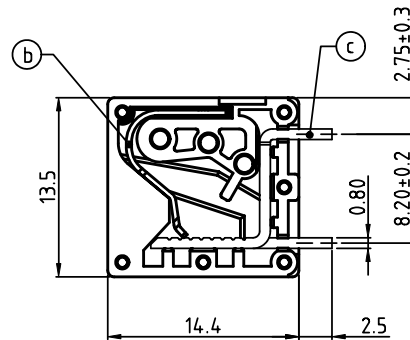
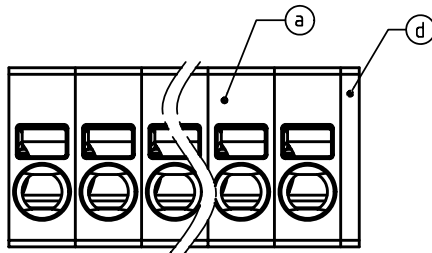


PRODUCT NUMBER	PITCH
NJxx00x000J0G	5.00mm



RECOMMENDED P.C.B LAYOUT
TOP VIEW



Material:

- Item (a) Terminal housing: Thermoplastic (UL 94V-0)
- Item (b) Spring clamp: Stainless steel
- Item (c) Solder pin: Brass, Tin plated
- Item (d) Terminal cover: Thermoplastic (UL 94V-0)

Electrical:

- Voltage rating: 300 V
- Current rating (Sol): 13A
- Current rating (Str): 16A
- Wire range:
- Solid wire (AWG): 14-24
- Stranded wire (AWG): 12-24
- Wire strip length: 9-10mm
- Withstanding Voltage: 1.6KV
- Operating temperature: -40°C to +115°C
- Soldering temperature: 260°C±5°C/5 Sec
- Safety Approval:

N=Number of poles
Dim A=Nx5.00+1.40
Dim B=(N-1)x5.00

POLES	Dim A	Dim B
1p	±0.10	—
2-6p	±0.10	±0.10
7-12p	±0.20	±0.20
13-18p	±0.30	±0.30
19-24p	±0.40	±0.40

PART NO.: NJ xx 00 x 000J0 G

No. of poles	Color	RoHS compliant
0	Black (RAL9005)	(lead<4%) In copper Alloy
End Stackable 2	Red (RAL3001/D)	
01 1 poles	3 Orange(RAL2011/P)	
02 2 poles	4 Yellow(RAL1018/A)	
...	5 Green(RAL6018/T)	
24 24 poles	6 Blue (RAL5015/A)	
	8 Grey(RAL7004/P)	
	9 White(RAL1102)	
	C Multiple colors	

mat'l. code		surface ASME Y14.5	tolerance ASME Y14.5	projection 	product family TERMINAL BLOCK
ltr	ecn no	dr	date	tolerances unless otherwise specified	title TERMINAL BLOCK
				angles 	SPRING CLAMP, 90D WIRE INLET
				X°±1°	scale
				dr EVIN ZHONG 060514	dwg no
				enr EVIN ZHONG 060514	sheet 1 of 1
				chr HANKE FENG 060514	size A4
				appd SHI JUN 060514	type CUSTOMER Drawing
sheet index	revision	A			
	sheet	1			