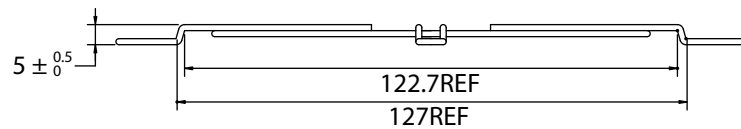
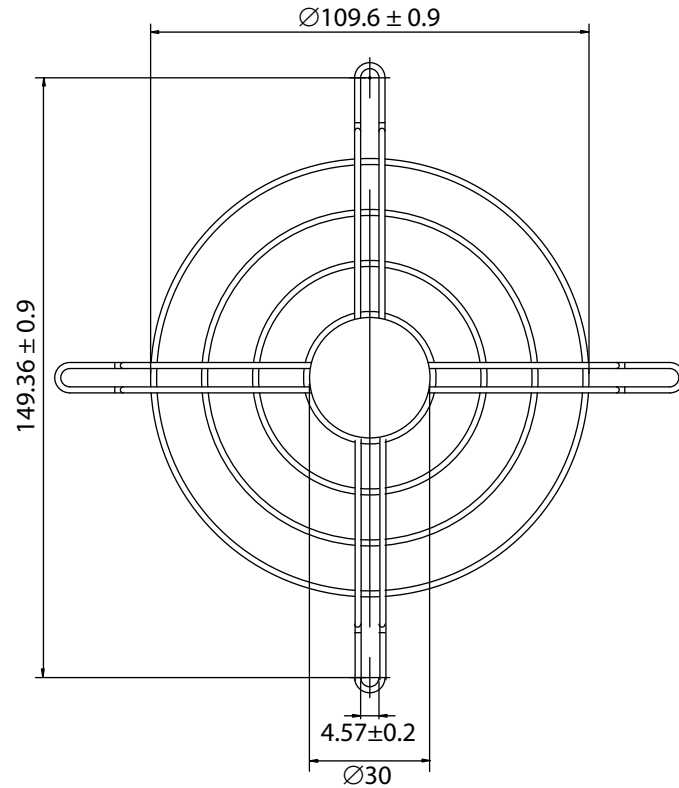


THESE DRAWINGS ARE THE PROPERTY OF QUALTEK ELECTRONICS AND NOT TO BE REPRODUCED FOR OR COMMUNICATED TO A THIRD PARTY WITHOUT THE EXPRESS WRITTEN PERMISSION OF AN OFFICER OF QUALTEK ELECTRONICS.

REVISION			
REV.	DESCRIPTION	DATE	APPROVED
A	RoHS Compliancy	06-01-06	DP



NOTES:

1. MATERIAL: C1008 BRIGHT BASIC WIRE
2. FINISH: BRIGHT NICKEL CHROME PLATING
3. 0.35 ± 0.05 DEPTH OF SERRATIONS ON WIRE
4. RING: $\varnothing 1.5 \pm 0.1\text{mm}$
RIB: $\varnothing 1.5 \pm 0.1\text{mm}$
5. GENERAL TOLERANCE UNLESS NOTED IS $\pm 0.5\text{mm}$
6. RoHS COMPLIANT

CONTROLLED

Dim range (mm)		Tolerance +/- (mm)		Qualtek Electronics Corp. FAN-S DIVISION		
0-5		0.1		Part Number: 08218 <div style="float: right; border: 1px solid green; padding: 2px;">RoHS Compliant</div>		
5-16		0.15		Description: WIRE FORM FAN GUARD (120mm)		
16-64		0.2		UNIT: mm REV: A		
64-250		0.4		Drawn / Date Checked / Date Approved / Date		
250-1000		0.5		B.ZHANG 03-15-05 JH / 03-15-05		
1000-1500		1.0				