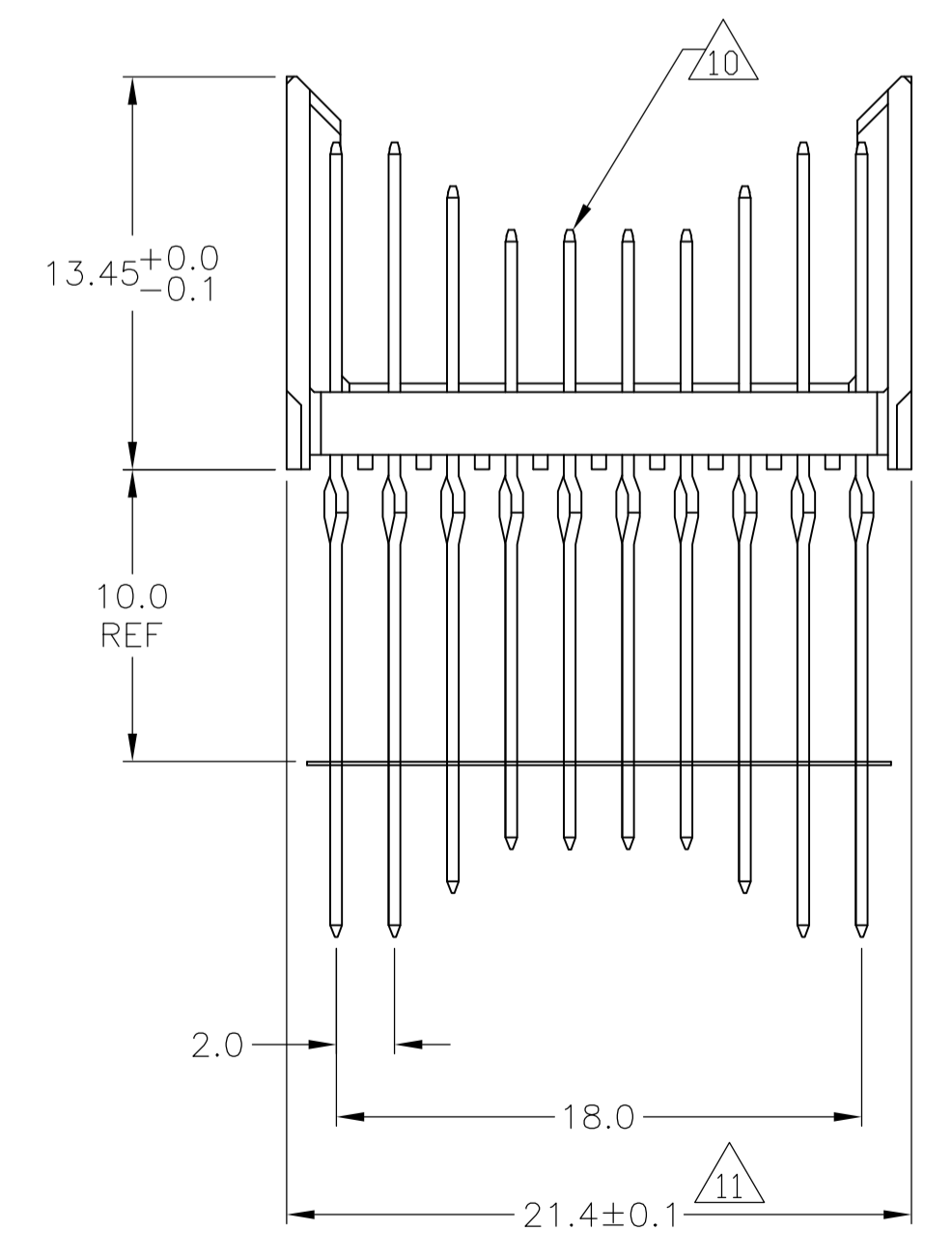
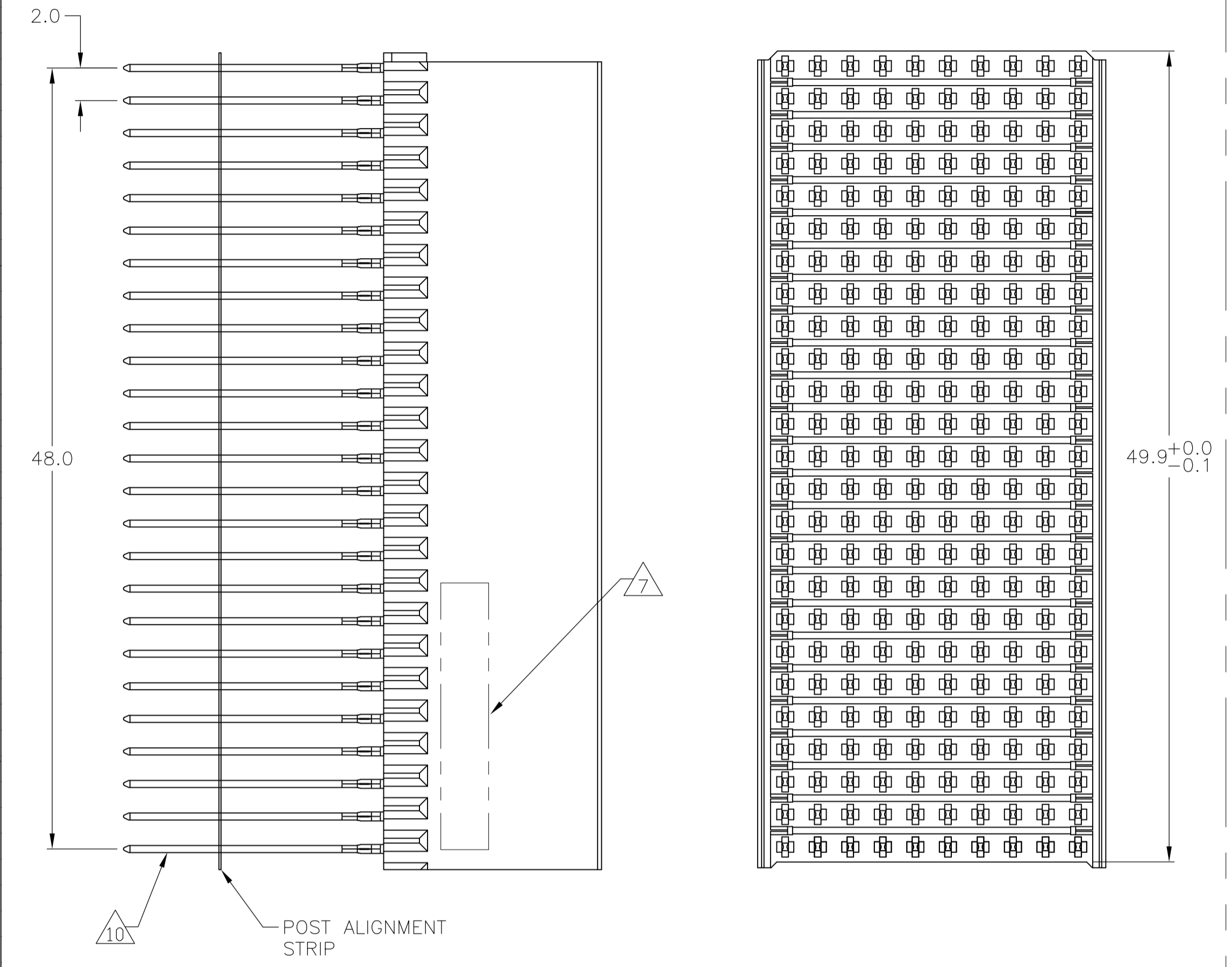
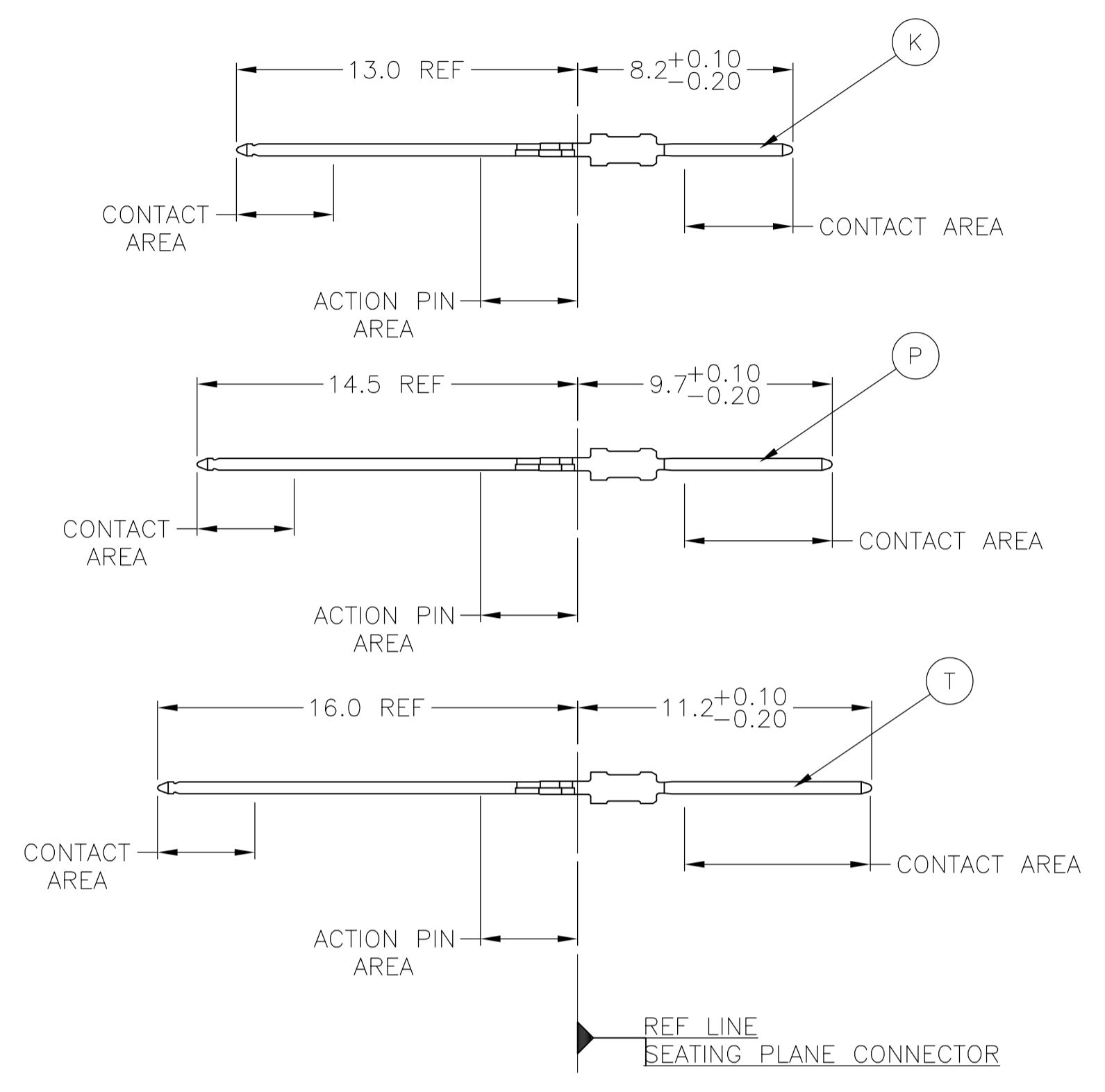


LOC		DIST		REVISIONS			
P	LTR	DESCRIPTION	DATE	DMN	APVD		
A		REVISED PER ECN 0512-0303-05	17APR06	JDP	GES		
B		ECR-10-018652	10SEP10	JS	MQW		

CONNECTOR ASSEMBLY EXAMPLARY LOADED



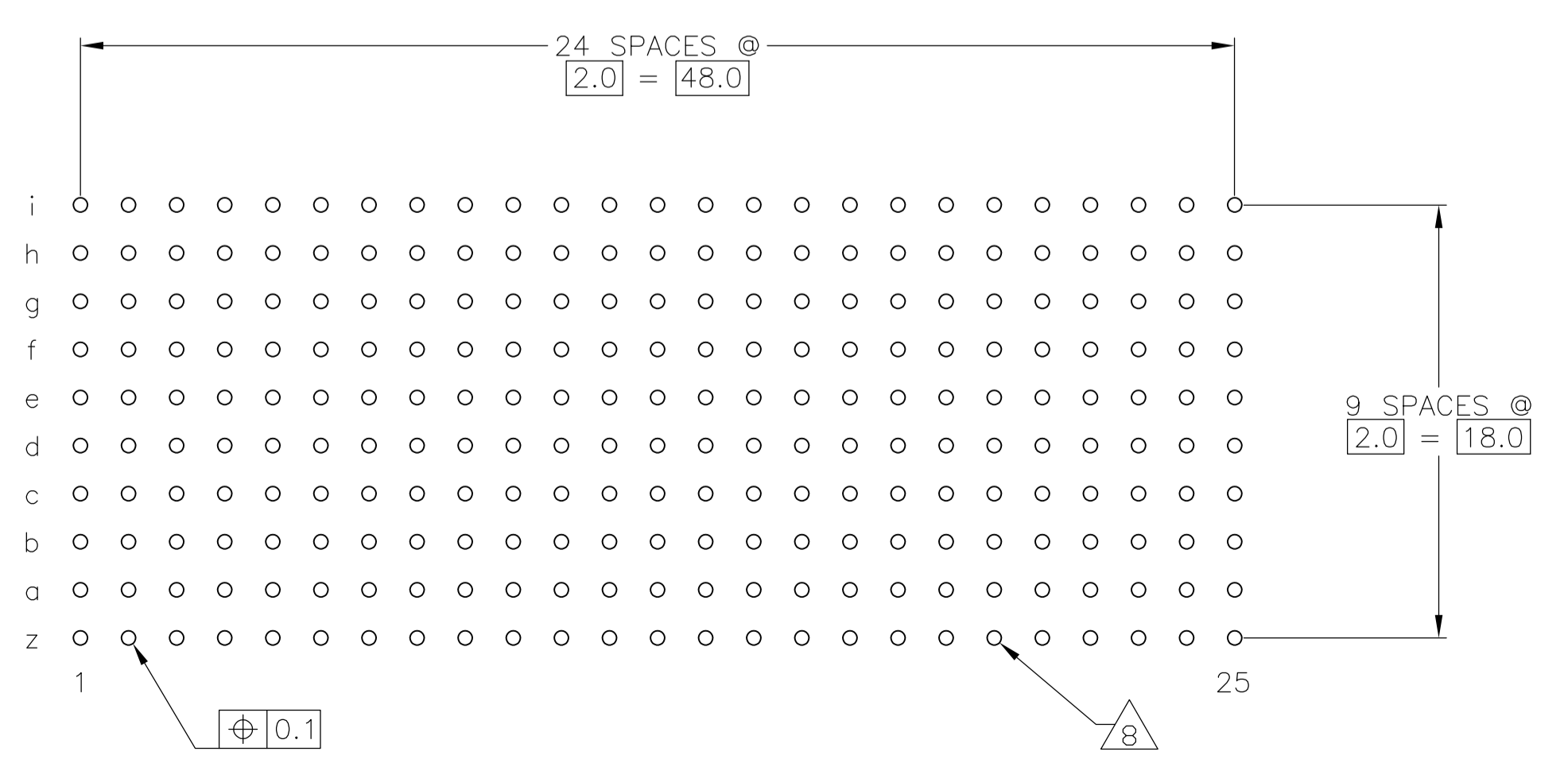
CONTACT DIMENSIONS SCALE 5:1



CONTACT LAYOUT

	z	a	b	c	d	e	f	g	h	i
1	T	T	P	K	K	K	K	P	T	T
2	T	T	P	K	K	K	K	P	T	T
3	T	T	P	K	K	K	K	P	T	T
4	T	T	P	K	K	K	K	P	T	T
5	T	T	P	K	K	K	K	P	T	T
6	T	T	P	K	K	K	K	P	T	T
7	T	T	P	K	K	K	K	P	T	T
8	T	T	P	K	K	K	K	P	T	T
9	T	T	P	K	K	K	K	P	T	T
10	T	T	P	K	K	K	K	P	T	T
11	T	T	P	K	K	K	K	P	T	T
12	T	T	P	K	K	K	K	P	T	T
13	T	T	P	K	K	K	K	P	T	T
14	T	T	P	K	K	K	K	P	T	T
15	T	T	P	K	K	K	K	P	T	T
16	T	T	P	K	K	K	K	P	T	T
17	T	T	P	K	K	K	K	P	T	T
18	T	T	P	K	K	K	K	P	T	T
19	T	T	P	K	K	K	K	P	T	T
20	T	T	P	K	K	K	K	P	T	T
21	T	T	P	K	K	K	K	P	T	T
22	T	T	P	K	K	K	K	P	T	T
23	T	T	P	K	K	K	K	P	T	T
24	T	T	P	K	K	K	K	P	T	T
25	T	T	P	K	K	K	K	P	T	T

RECOMMENDED PCB-HOLE LAYOUT COMPONENT SIDE SHOWN



PLATED THRU HOLES PARAMETERS REFERENCE APPLICATION SPECIFICATION

2 6 12	1-5646376-9
2 5 12	5646376-9
2 4	5646376-4
2 3	5646376-1
FINISH	PART NUMBER

THIS DRAWING IS A CONTROLLED DOCUMENT.

DIMENSIONS: mm	TOLERANCES UNLESS OTHERWISE SPECIFIED:	DMN: S. WAITMAN 20JUL05	APVD: G. SKIPPER 20JUL05	Tyco Electronics Corporation Harrisburg, Pa 17105-3608
0-PLC ±	1-PLC ±0.1	NAME: G. SKIPPER 20JUL05	PRODUCT SPEC: 108-1622	MALE ASSEMBLY, Z-PACK 2mm HM, TYPE E
2-PLC ±0.2	3-PLC ±	APPLICATION SPEC: 114-19029	SIZE: A1	RESTRICTED TO: -
4-PLC ±	ANGLES ±	WEIGHT: -	CAGE CODE: 00779	SCALE: 4:1
1	SEE TABLE	FINISH: -	DRAWING NO: 5646376	SHEET: 1 OF 2
			CUSTOMER DRAWING	REV: B

LOC	DIST	REVISIONS			
AD	00	REV	DATE	BY	APPV
		1	SEE SHEET 1		

- 1 MATERIAL:
CONTACT: PHOSPHOR BRONZE.
HOUSING: GLASS-FILLED POLYESTER.
- 2 GENERAL PLATING SPECIFICATION: UNDERPLATING
(ENTIRE CONTACT): 1.27µm MIN NICKEL AND ACTION
PIN: 0.5µm MIN TIN.
FOR PLATING OF MATING SURFACES SEE APPLICABLE
SPECIFICATION REFERENCE FOR EACH DASH NUMBER.
- 3 CONFORMS TO ALL TESTING ACCORDING TO IEC 61076-4-101
PERFORMANCE LEVEL 2.
- 4 CONFORMS TO ALL TESTING ACCORDING TO IEC 61076-4-101
PERFORMANCE LEVEL 1.
- 5 CONNECTOR TESTED AND QUALIFIED AGAINST TELCORDIA GR-1217-CORE QUALITY LEVEL 3,
CENTRAL OFFICE APPLICATIONS.
- 6 CONNECTOR TESTED AND QUALIFIED AGAINST TELCORDIA GR-1217-CORE QUALITY LEVEL 3,
UNCONTROLLED ENVIROMENT APPLICATIONS.
- 7 CONNECTOR MARKED WITH PART NUMBER AND DATE CODE.
ADDITIONAL CHARACTERS OR MARKINGS, AS WELL AS THE LOCATION OF THE MARKINGS,
MAY BE ADDED FOR TRACEABILITY BASED UPON MANUFACTURERS DISCRETION.
- 8 PLATED-THROUGH HOLES AT 2x2mm SQUARE GRID
PATTERN DEFINED BY CONTACT LAYOUT.
- 9 FOR ACTUAL PIN LOADING SEE "CONTACT LAYOUT".
- 10 FOR ACTUAL PIN DIMENSIONS SEE "CONTACT DIMENSIONS".
- 11 TO BE MEASURED AT BOTTOM OF SHROUD.
- 12 CONNECTOR LUBRICATED WITH BELCORE APPROVED LUBRICANT,
TECHNICAL REFERENCE: TR-NWT-001217 ISSUE 1, SEP 1992.

THIS DRAWING IS A CONTROLLED DOCUMENT.		DIN S. WAITMAN 20JUL05	Tyco Electronics Corporation Harrisburg, Pa 17105-3608	
DIMENSIONS: mm		CHK G. SKIPPER 20JUL05	NAME MALE ASSEMBLY, Z-PACK 2mm HM, TYPE E	
TOLERANCES UNLESS OTHERWISE SPECIFIED: 0-PLG ± 1-PLG ±0.1 2-PLG ± 3-PLG ± 4-PLG ± ANGLES ±1°		APPV G. SKIPPER 20JUL05	PRODUCT SPEC 108-1622	
MATERIAL SEE SHEET 1		FINISH SEE SHEET 1	APPLICATION SPEC 114-19029	RESTRICTED TO —
WEIGHT —		SIZE A1	CAGE CODE 00779	DRAWING NO 5646376
CUSTOMER DRAWING		SCALE 4:1	SHEET 2	OF 2