

Cartridge Fuse Holders

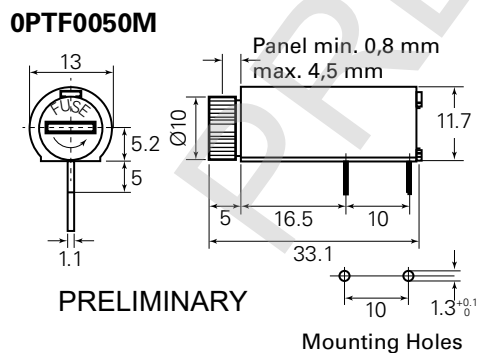
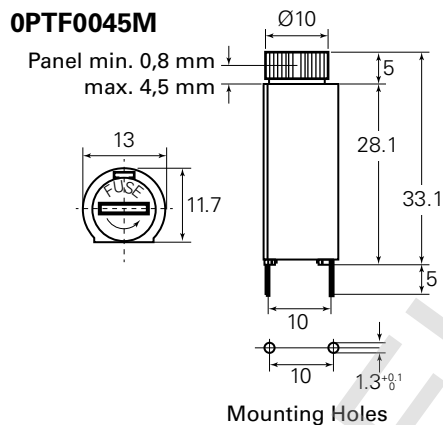
OPTF0045M & OPTF0050M Circuit Board Mountable



Product Characteristics

OPTF0045M / OPTF0050M	
Compatible Fuses	5x20 mm
Electrical Specifications	Rated Voltage: 250V
	Rated Current: 10 A
	Rated Power: 2.5W
Materials	Molded Holder and Cap Body: Black PBT (UL94 V-0)
	PCB Terminals: Tin plated brass
Protection Class & Category	PC2 (IEC 60127-6)
Contact Resistance	≤ 5mΩ
Degree of Protection	IP 20
IAmbient Temperature	-30 °C to 85 °C

Product Dimensions (in mm)



Ordering Information

Ordering PN	Description	Packaging
OPTF0045M	Vertical Mount	1000 pieces, bulk pack
OPTF0050M	Horizontal Mount	1000 pieces, bulk pack

Note
Panel minimum 0,8 mm and maximum 4,5 mm

Additional Information



Resources



Accessories



Samples

Disclaimer Notice - Information furnished is believed to be accurate and reliable. However, users should independently evaluate the suitability of and test each product selected for their own applications. Littelfuse products are not designed for, and may not be used in, all applications. Read complete Disclaimer Notice at <http://www.littelfuse.com/disclaimer-electronics>.