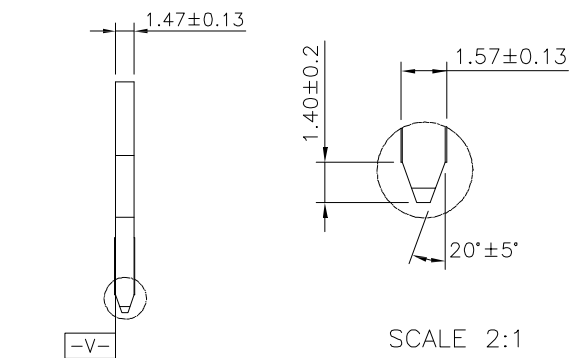
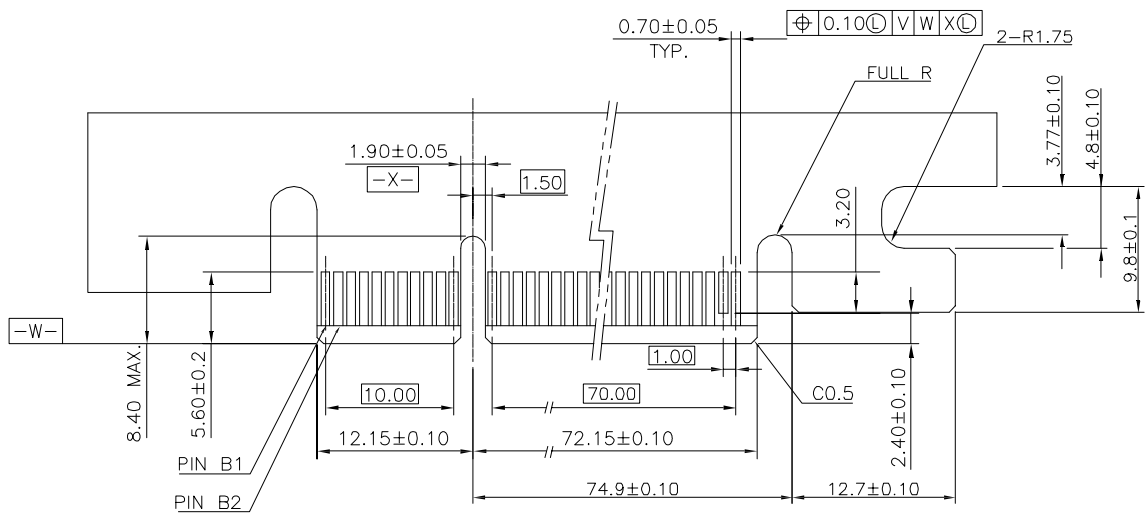


PART NUMBER	DIM.A
10085429-XXX13TLF	3.10
10085429-XXX23TLF	2.30

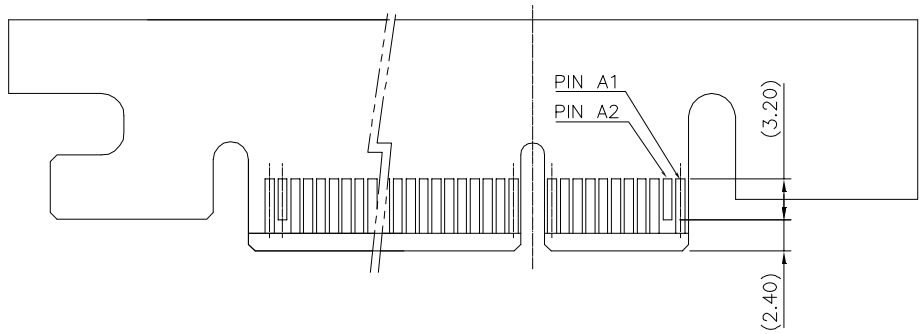
mat'l. code		tolerances unless otherwise specified		CUSTOMER COPY	 www.fciconnect.com
ltr	ecn no	dr	date	projection	
A	T08-1030	J.H	2/25/08		
B	ELX-DG-2161-1	ST	05/27/16		product family EDGE CARD
				scale 1:1	
					size A4
					code TWN
					sheet 1 of 3
sheet index	revision sheet	B 1	B 2	B 3	

cage code  
22526

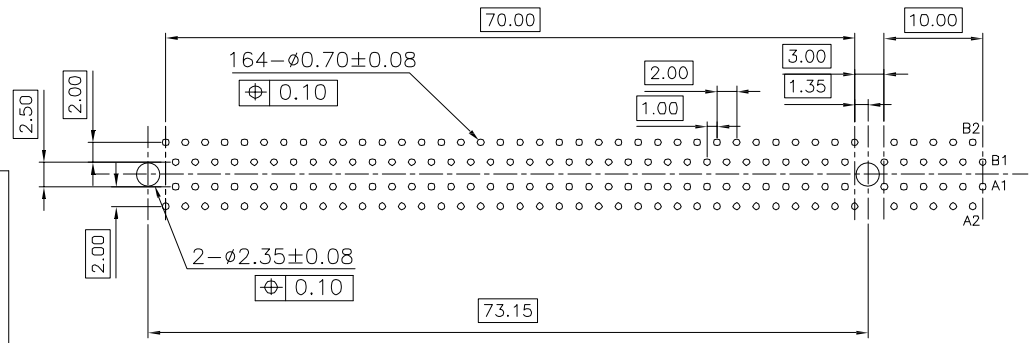


ADD-IN CARD EDGE-FINGER DIMENSIONS

I/O PANEL DIRECTION  
PRIMARY (COMPONENT) SIDE



I/O PANEL DIRECTION  
SECONDARY (SOLDER) SIDE



RECOMMENDED FOOTPRINT LAYOUT



mat'l. code				tolerances unless otherwise specified		CUSTOMER COPY	 www.fciconnect.com
ltr	ecn no	dr	date	linear	.X ± 0.38 .XX ± 0.25 .XXX ± 0.10	projection	
				angles	0° ±2°	 MM	PCI-E INTEGRATED R-TYPE GEN3 CARD EDGE ASS'Y
				dr	STONE LI 05/27/15		product family
				enr	STONE LI 05/27/15	size	dwg no
				chr	/	scale	1:1
				appd	PM ZHENG 05/27/15	A4	10085429
sheet index	revision sheet						

cage code  
22526

NOTES:

1.MATERIAL:

HOUSING: THERMOPLASTIC WITH GLASS FIBER, UL94V-0,  
LATCHS: THERMOPLASTIC WITHOUT GLASS FIBER, UL94-HB (PA66).  
CONTACTS: COPPER ALLOY.

2.FINISH:

CONTACTS: GOLD PLATING ON CONTACT AREA,  
60u" MATTE TIN (LEAD FREE OPTION) PLATING ON SOLDERTAILS,  
50u"MIN. NICKEL UNDERPLATING OVER ALL.

3. WARNING: THE MAXIMUM ALLOWABLE ANGLE TO WITHDRAWAL THE DAUGHTER CARD FROM RETAINER BY 25 DEGREE.

4. DURABILITY: 50 CYCLES.

5. RoHS COMPATIBLE PRODUCT SPECIFICATIONS

- a. PLATING: "LF" MEANS THE PRODUCT IS LEAD FREE, 1.5um min. MATTE PURE TIN OVER 1.27um MIN. NICKEL UNDERPLATE.
- b. MANUFACTURING PROCESS COMPATIBILITY: THE HOUSING WILL WITHSTAND EXPOSURE TO 260C±5C° SOLDER BATH TEMPERATURE FOR 5 SECONDS IN A WAVE SOLDER APPLICATION WITH A 1.57MM THICK CIRCUIT BOARD.

PRODUCT NUMBER CODE

10085429 -x x x x x x LF



- HOUSING COLOR OPTIONS
- 1-BLACK FOR BASE & RM
  - 4-BLUE (297C) FOR BASE & RM
  - 5-ORANGE (165C) FOR BASE & WHITE RM
  - 6-BLACK FOR BASE & BLUE (287C) FOR RM
- PEGS OPTIONS
- 1-PLASTIC POST
- TERMINAL PLATING OPTIONS
- 0-50u" Ni UNDERPLATE  
30u" Au CONTACT AREA  
100u" TIN TAIL AREA
  - 1-50u" Ni UNDERPLATE  
15u" Au CONTACT AREA  
100u" TIN TAIL AREA
  - 2-50u" Ni UNDERPLATE  
GOLD FLASH CONTACT AREA  
100u" TIN TAIL AREA

- APPLICATIONS
- LF- LEAD FREE FOR PLATING OPTIONS 0,1,2
- PACKAGING OPTIONS
- T-TRAY PACKAGING
- POS OPTIONS
- 3-164
- TAIL LENGTH OPTION (DIM.A)
- 1- 3.10MM
  - 2- 2.30MM

mat'l. code		tolerances unless otherwise specified		CUSTOMER COPY		 www.fciconnect.com			
ltr	ecn no	dr	date	linear	.X ± 0.38	projection	 title PCI-E INTEGRATED R-TYPE GEN3 CARD EDGE ASS'Y		
					.XX ± 0.25	 MM			
				angles	.XXX ± 0.10		scale 1:1	product family	EDGE CARD
				dr	0° ±2°	A4		size	dwg no
				engr	05/27/15		10085429		sheet
				chr	05/27/15				3 of 3
				appd	PM ZHENG				
sheet index	revision sheet								

cage code  
22526