

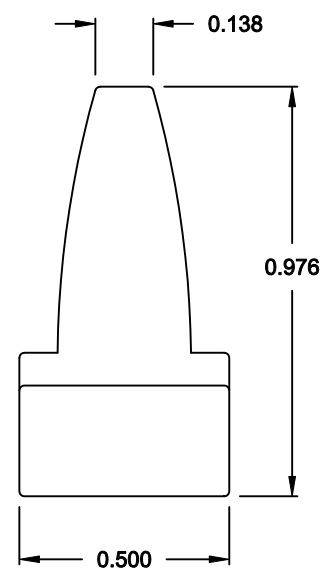
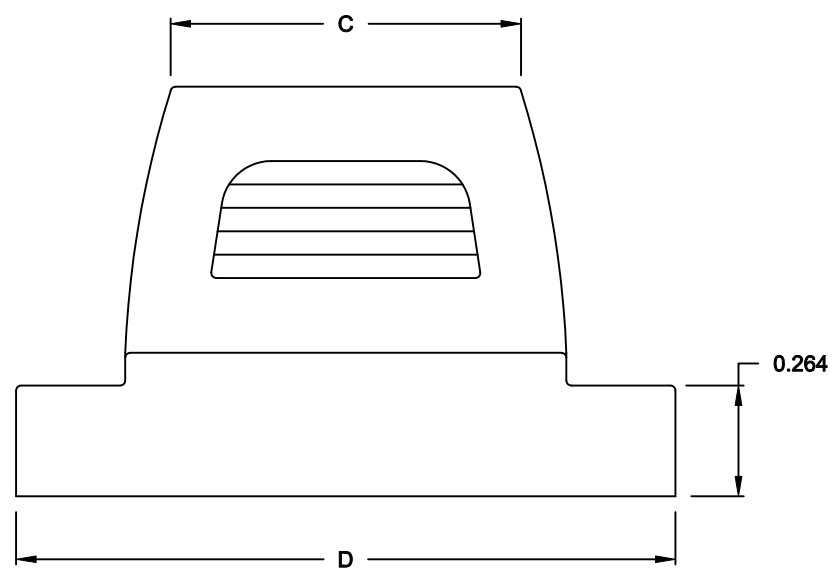
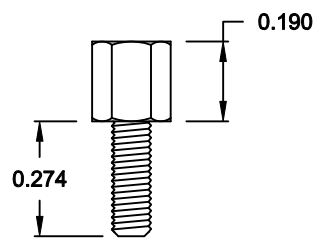
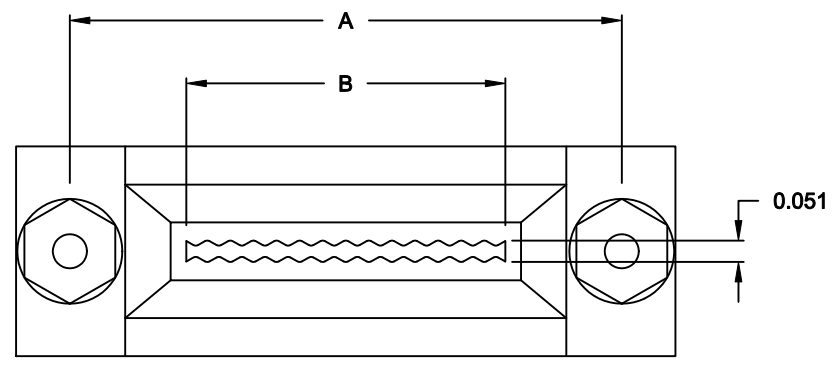
DESCRIPTION: FLAT CABLE BACK SHELL

No. OF CKTS.	DIMENSIONS (IN.)			
	A	B	C	D
09	0.984	0.492	0.531	1.276
15	1.315	0.780	0.835	1.571
25	1.850	1.307	1.386	2.102

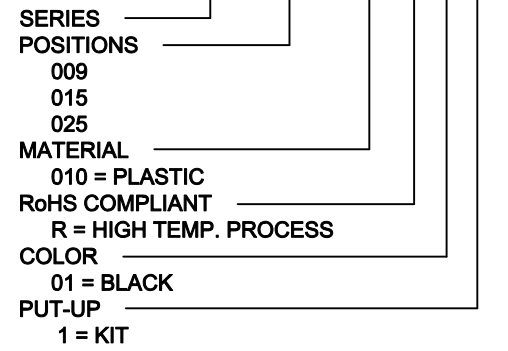
MATERIAL: ABS PLATIC, BLACK

KIT INCLUDES:

- (1) BACKSHELL (SLIP-ON)
- (2) 4-40 FEMALE SCREWLOCKS



958-YYY-010R011



**FOR CLARITY
HIDDEN LINES
NOT SHOWN**

DO NOT SCALE FROM DRAWING

RoHS COMPLIANT

	THESE DRAWINGS AND SPECIFICATIONS ARE THE PROPERTY OF NorComp AND SHALL NOT BE REPRODUCED, COPIED OR USED AS THE BASIS FOR THE MANUFACTURE OF SALE OF APPARATUS WITHOUT WRITTEN PERMISSION.		DRAWN: C. SMITH	DATE: 02-19-08
			CHECKED:	DATE:
NorComp		SCALE: 2 : 1	SHEET 1	OF 1
		DWG NO. 958-YYY-010R011		