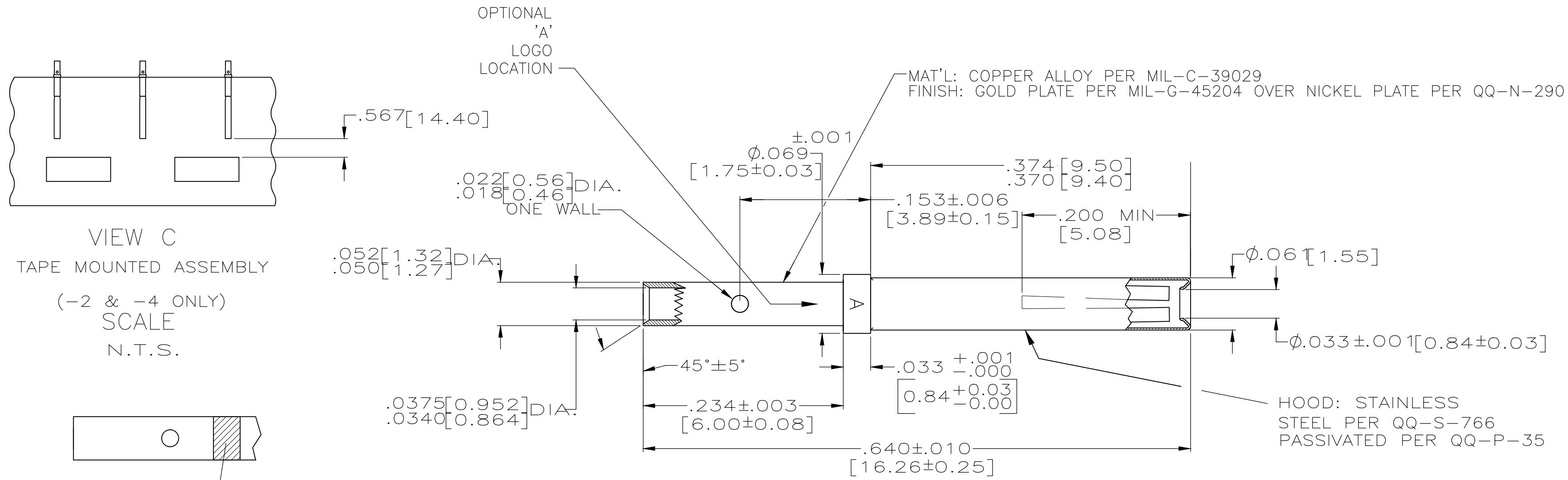
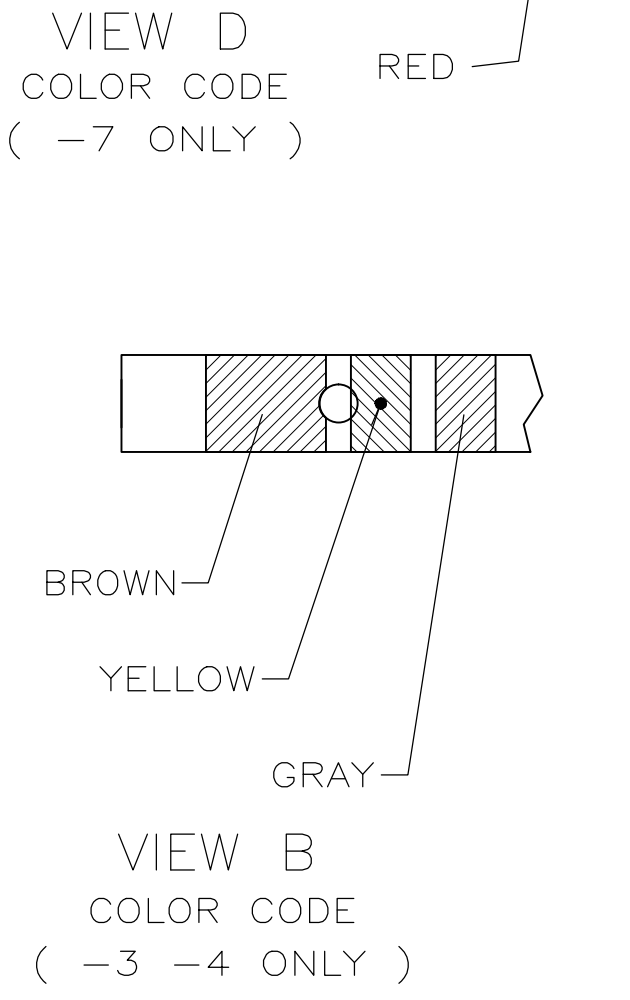


THIS DRAWING IS UNPUBLISHED. RELEASED FOR PUBLICATION
 © COPYRIGHT - By - ALL RIGHTS RESERVED.

LOC		DIST		REVISIONS			
P	LTR	DESCRIPTION		DATE	DWN	APVD	
DF	A0	W	REVISED PER ECO-14-012828	30AUG2014	MGM	CT	



OBSOLETE	-----	205103-8
	SEE VIEW D	205103-7
OBSOLETE	-----	205103-6
OBSOLETE	-----	205103-5
OBSOLETE	SEE VIEW B+C	205103-4
	SEE VIEW B	205103-3
OBSOLETE	-----	205103-2
	SEE VIEW A	205103-1
	REMARKS	PART NO.



THIS DRAWING IS A CONTROLLED DOCUMENT.		DWN	JESSE BAKER	08-04-92	STE TE Connectivity																		
		CHK	ALEX SHARPE	09-16-92																			
DIMENSIONS: INCHES		TOLERANCES UNLESS OTHERWISE SPECIFIED:		NAME																			
<table border="1"> <tr><td>0 PLC</td><td>±</td><td>-</td></tr> <tr><td>1 PLC</td><td>±</td><td>-</td></tr> <tr><td>2 PLC</td><td>±</td><td>-</td></tr> <tr><td>3 PLC</td><td>±</td><td>.005[0.13]</td></tr> <tr><td>4 PLC</td><td>±</td><td>-</td></tr> <tr><td>ANGLES</td><td>±</td><td>-</td></tr> </table>		0 PLC	±	-	1 PLC	±	-	2 PLC	±	-	3 PLC	±	.005[0.13]	4 PLC	±	-	ANGLES	±	-	APVD		-	
0 PLC	±	-																					
1 PLC	±	-																					
2 PLC	±	-																					
3 PLC	±	.005[0.13]																					
4 PLC	±	-																					
ANGLES	±	-																					
MATERIAL		FINISH		PRODUCT SPEC																			
SEE CALLOUTS		SEE CALLOUTS		APPLICATION SPEC																			
		WEIGHT		-																			
		SCALE		A2 00779 C-205103																			
		CUSTOMER DRAWING		RESTRICTED TO																			
		SCALE		10:1 SHEET 1 OF 1 REV W																			