

PART NO.	A99348-001	REV	ECO	DATE	APP
		A	104984	11-01-18	HV

**MATERIALS**

**HOUSING:**

ALUMINUM 6061, NICKEL PLATED  
(500 MICRINCHES MINIMUM) PER  
SAE-AMS-2404

**INSULATOR & CAP:**

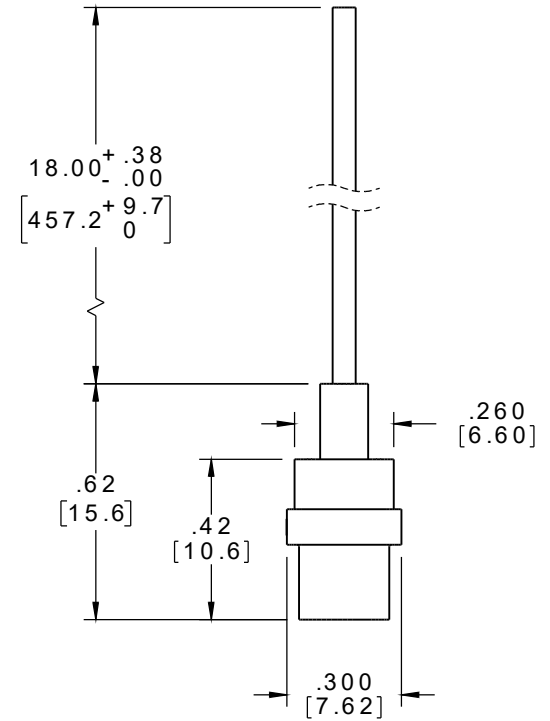
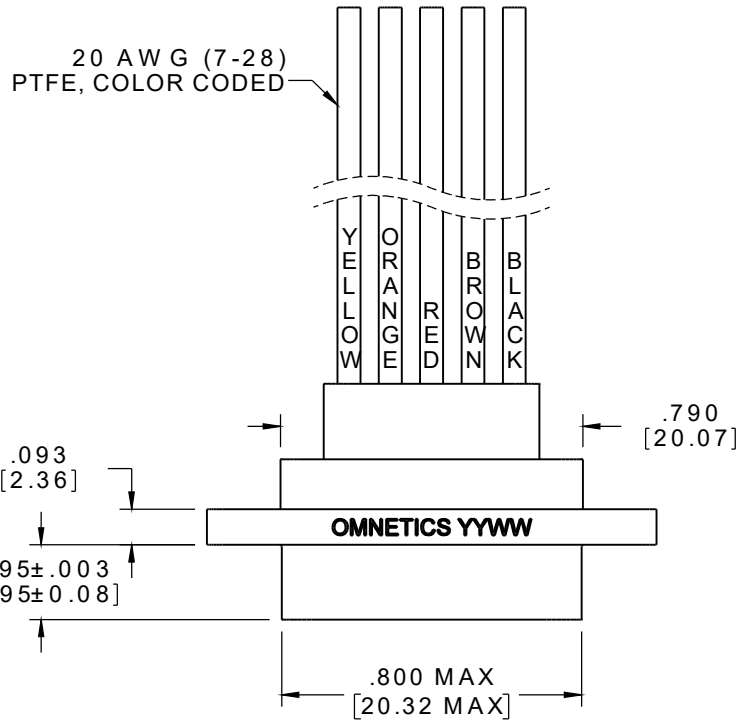
PPS PER MIL-M-24519, TYPE  
GST 40F

**CONTACT:**

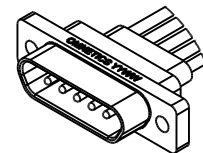
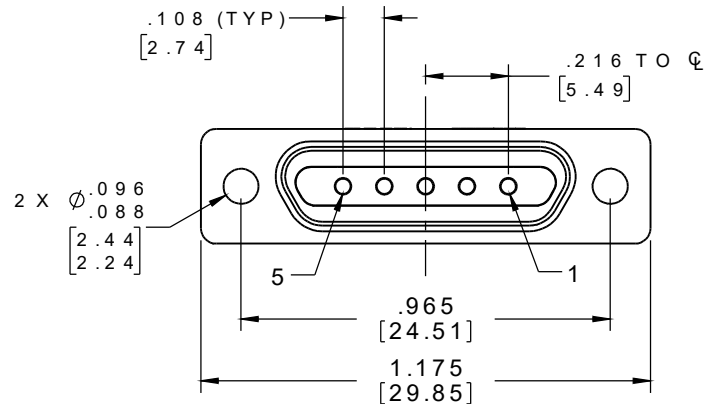
COPPER ALLOY PER SAE-AS39029  
GOLD PLATED PER ASTM B488  
(HARD GOLD), TYPE II, CODE C  
CLASS 1.27

**WIRE:**

NEMA HP3 TYPE E, COLOR CODED  
IAW MIL-STD-681, SYSTEM 1,  
USING TEN SOLID REPEATING  
COLORS



CONTACT #	COLOR
1	BLACK
2	BROWN
3	RED
4	ORANGE
5	YELLOW



ACTUAL SIZE  
EXCLUDING WIRE LENGTH

**NOTE:**

DIMENSIONS IN [ ] ARE IN  
MILLIMETERS UNLESS  
OTHERWISE NOTED AND ARE  
FOR REFERENCE ONLY

MMSD SLDW	THIRD ANGLE	THIS DRAWING CONTAINS CONFIDENTIAL AND PROPRIETARY INFORMATION WHICH IS THE PROPERTY OF OMNETICS CONNECTOR CORP. THIS DOCUMENT MAY NOT, IN WHOLE OR IN PART, BE DUPLICATED, OR DISCLOSED FOR ANY PURPOSE, WITHOUT WRITTEN PERMISSION FROM OMNETICS CONNECTOR CORP.	<b>OMNETICS</b>	CAGE CODE 61873			
	-TOLERANCES-			DWG NO. A99348-001			
	UNLESS OTHERWISE NOTED			DFTM. STN	DATE	SHEET 1 OF 1	
	DIMENSIONS IN INCHES			10-26-18	TITLE:	REV	
2 PL DEC ± .01	CHK'D.	DATE	(5-0) CONTACT RECEPTACLE	A			
3 PL DEC ± .005	APP'D.	DATE	HYBRID POWER				
4 PL DEC ± .0005			MICRO-D CONNECTOR				
ANGLES ± 1°			CONNECTOR CORPORATION				
			7260 COMMERCE CIRCLE EAST				
			MINNEAPOLIS, MN 55432				
			WWW.OMNETICS.COM				
			SCALE: 2:1				