

THIS DRAWING IS UNPUBLISHED. RELEASED FOR PUBLICATION AUG ,2005.

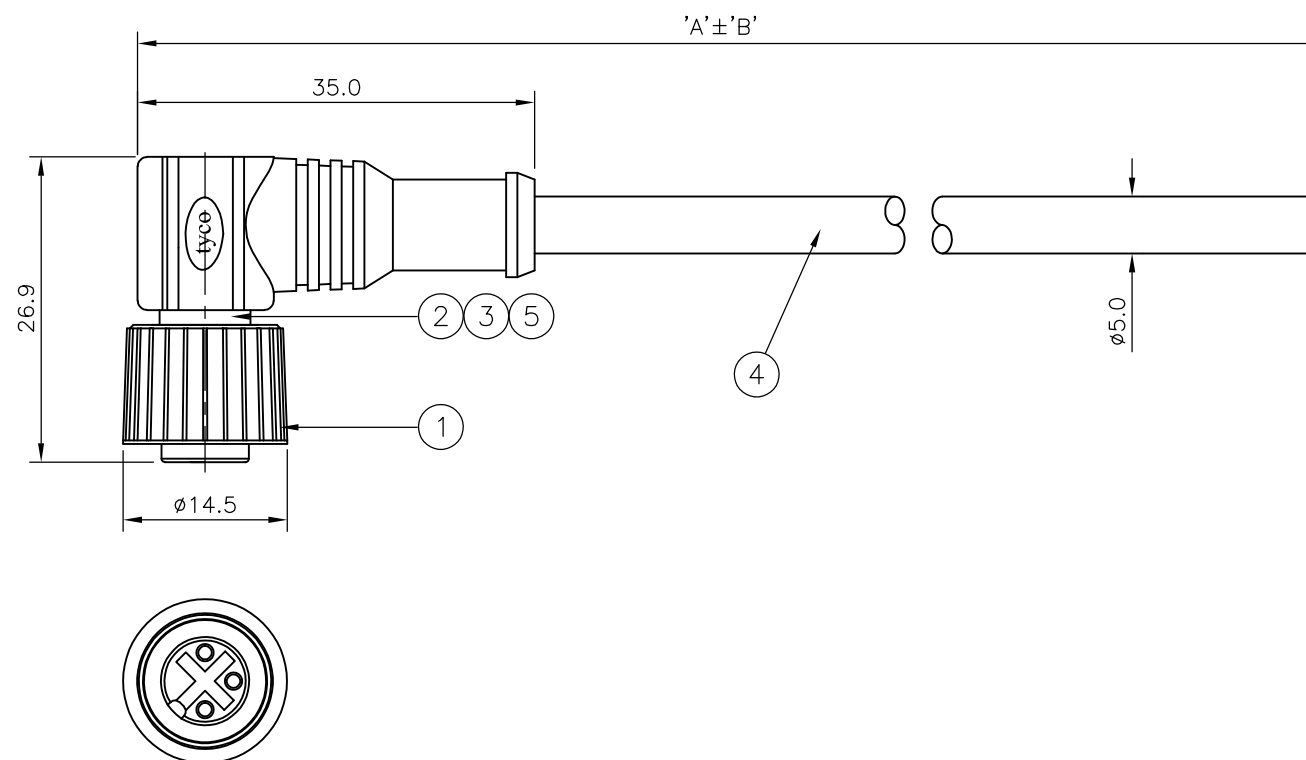
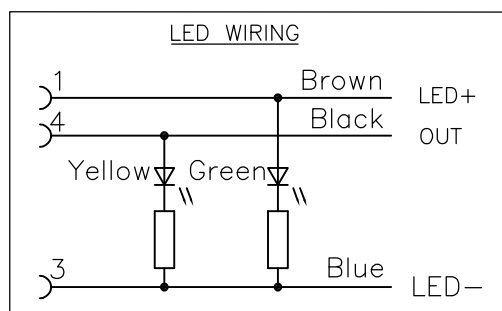
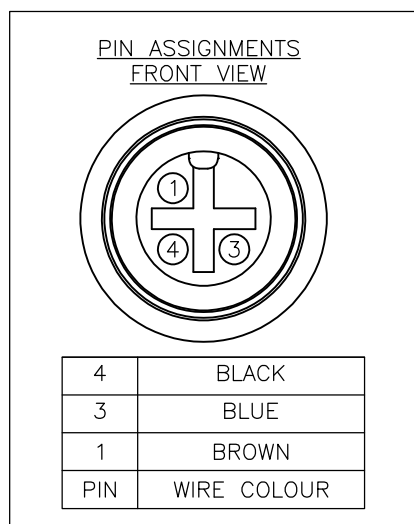
© COPYRIGHT 2005 BY TYCO ELECTRONICS CORPORATION. ALL RIGHTS RESERVED.

| | | | | | | | |
|-----|------|-----------|-----|---------------|----------|-----|------|
| LOC | DIST | REVISIONS | | | | | |
| E | B | P | LTR | DESCRIPTION | DATE | DWN | APVD |
| | | C | | ECR-07-012337 | 22/05/07 | AM | FWK |

NOTES:

- ELECTRICAL DATA: CONTACT RESISTANCE: 10 mOhm MAX
INSULATION RESISTANCE: 100 MOhm MIN at 500VDC
CURRENT RATING: 5 AMPS
BREAKDOWN VOLTAGE: 500 VAC MIN PER MINUTE
- ENVIRONMENTAL: OPERATING TEMPERATURE: -20°C TO +80°C
SEALING REQUIREMENTS: IP67
- PROD SPEC: 108-3641
- PACKAGING: 107-3334
- FOR TECHNICAL DATA REFER TO YOUR LOCAL TYCO ELECTRONICS SALES OFFICE
- ALL DIMENSIONS ARE NOMINAL FOR REFERENCE ONLY UNLESS OTHERWISE STATED

| ITEM | DESCRIPTION | MATERIAL | FINISH/COLOUR | QTY |
|------|--------------------------------------|-------------------------|--------------------------------|-----|
| 1 | SCREW NUT | ZINC DIE CAST | 2.5µm NICKEL PLATED | 1 |
| 2 | CONNECTOR BODY | POLYURETHANE | | 1 |
| 3 | SOCKET CONTACT | BRASS | 0.15µm GOLD PLATED OVER NICKLE | 3 |
| 4 | 3 CORE CABLE (CORES 22AWG TO UL2464) | PVC JACKET UV RESISTANT | BLACK | 1 |
| 5 | 'O' RING | VITON | GREEN | 1 |



| | | | |
|-------|---------|---|-------------|
| 10000 | 500 mm | M12 RIGHT ANGLED FEMALE CONNECTOR 10.0m CABLE | 1838264-5 |
| 7000 | 350 mm | M12 RIGHT ANGLED FEMALE CONNECTOR 7.0m CABLE | 1838264-4 |
| 5000 | 250 mm | M12 RIGHT ANGLED FEMALE CONNECTOR 5.0m CABLE | 1838264-3 |
| 3000 | 150 mm | M12 RIGHT ANGLED FEMALE CONNECTOR 3.0m CABLE | 1838264-2 |
| 2000 | 100 mm | M12 RIGHT ANGLED FEMALE CONNECTOR 2.0m CABLE | 1838264-1 |
| DIM A | TOL 'B' | DESCRIPTION | PART NUMBER |

| | | | | |
|---|--|-----------------------------------|---|-----------|
| THIS DRAWING IS A CONTROLLED DOCUMENT. | | DWN H M RAGHAVENDRA 22AUG05 | Tyco Electronics Corporation Bideford, UK, EX39 4HE | |
| DIMENSIONS: mm | | CHK F.WHEELER-KING 15DEC05 | NAME | |
| TOLERANCES UNLESS OTHERWISE SPECIFIED: | | APVD F.WHEELER-KING 15DEC05 | M12 RIGHT ANGLED LED VERSION FEMALE CONNECTOR 3 POSITION, PVC CABLE | |
| 0 PLC ± - 1 PLC ± - 2 PLC ± - 3 PLC ± - 4 PLC ± - ANGLES ± - | | PRODUCT SPEC | SIZE | CAGE CODE |
| MATERIAL | | APPLICATION SPEC | DRAWING NO | |
| FINISH | | WEIGHT | RESTRICTED TO | |
| CUSTOMER DRAWING | | | A3 00779 C-1838264 | |
| SCALE NTS | | | SHEET 1 OF 1 REV C | |