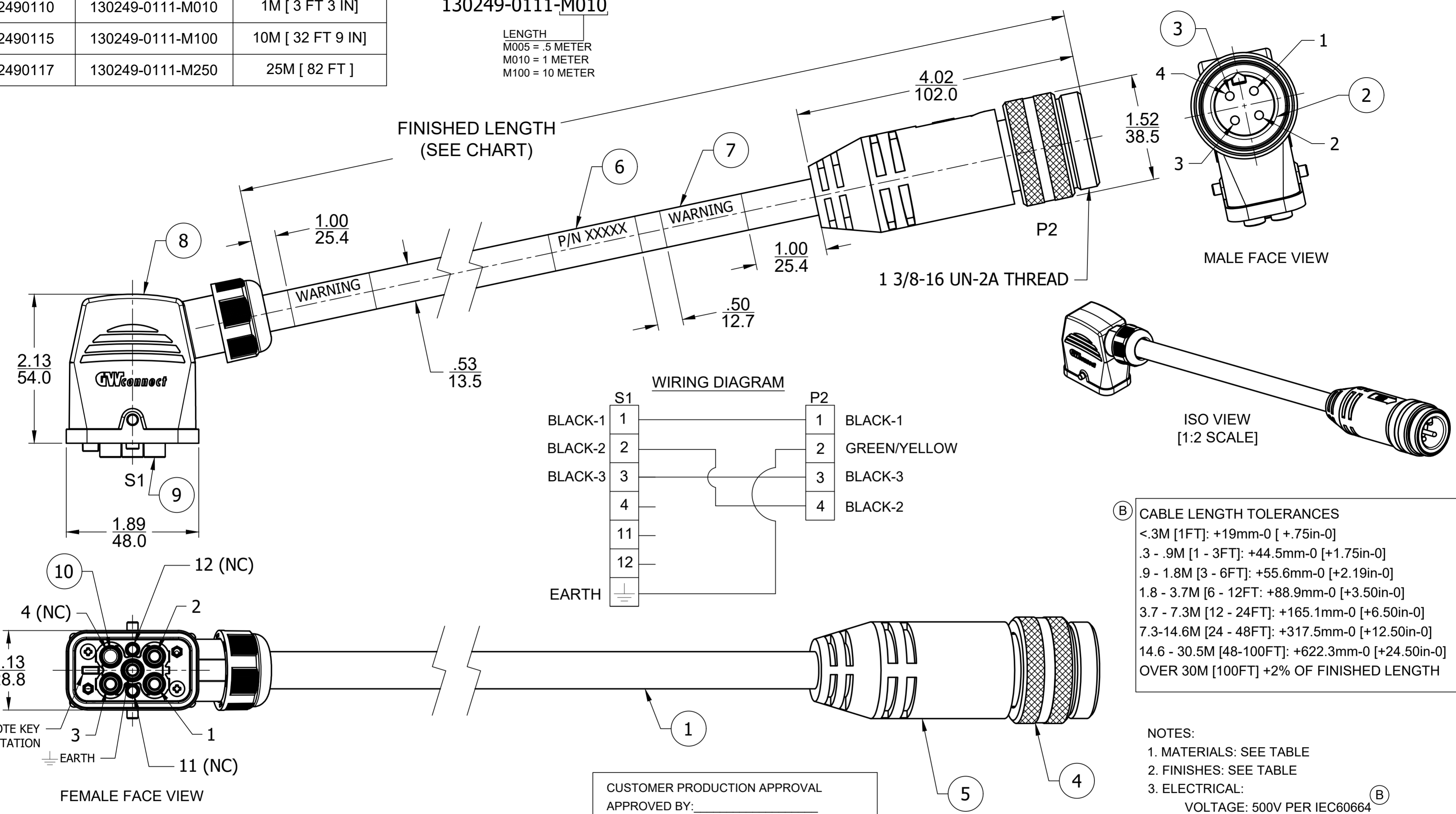


MATERIAL NO.	ENGINEERING NO.	FINISHED LENGTH
1302490110	130249-0111-M010	1M [ 3 FT 3 IN]
1302490115	130249-0111-M100	10M [ 32 FT 9 IN]
1302490117	130249-0111-M250	25M [ 82 FT ]

**PART NO. MATRIX**  
**130249-0111-M010**

LENGTH  
M005 = .5 METER  
M010 = 1 METER  
M100 = 10 METER



**CABLE LENGTH TOLERANCES**

<.3M [1FT]:	+19mm-0 [+ .75in-0]
.3 - .9M [1 - 3FT]:	+44.5mm-0 [+1.75in-0]
.9 - 1.8M [3 - 6FT]:	+55.6mm-0 [+2.19in-0]
1.8 - 3.7M [6 - 12FT]:	+88.9mm-0 [+3.50in-0]
3.7 - 7.3M [12 - 24FT]:	+165.1mm-0 [+6.50in-0]
7.3-14.6M [24 - 48FT]:	+317.5mm-0 [+12.50in-0]
14.6 - 30.5M [48-100FT]:	+622.3mm-0 [+24.50in-0]
OVER 30M [100FT]	+2% OF FINISHED LENGTH

- NOTES:**
- MATERIALS: SEE TABLE
  - FINISHES: SEE TABLE
  - ELECTRICAL:
    - VOLTAGE: 500V PER IEC60664
    - 600V PER UL2237
    - CURRENT: 32A
  - TEMP RATING: -20° C TO +90° C
  - ALL DIMENSIONS ARE FOR REFERENCE UNLESS TOLERANCED OR NOTED OTHERWISE

CUSTOMER PRODUCTION APPROVAL  
APPROVED BY: \_\_\_\_\_  
DATE: \_\_\_\_\_  
MUST BE SIGNED AND RETURNED BEFORE  
PRODUCTION WILL BEGIN.

**RESTRICTED SALES DRAWING**

10	FEMALE CONTACT SOCKET	COPPER ALLOY	SILVER PLATED
9	INSERT, FEMALE	POLYCARBONATE	GREY
8	HOOD AND GLAND ASSEMBLY	POLYAMIDE	BLACK
7	WARNING LABEL	VINYL	ORANGE/BLACK
6	WRAP LABEL	VINYL	BLACK/YELLOW
5	OVERMOLD	TPE	BLACK
4	COUPLING, MALE	ALUMINUM	CLEAR ANODIZE
3	MALE CONTACT PIN	COPPER ALLOY	GOLD PLATED
2	INSERT, MALE	TPE	BLACK
1	CABLE, #10-4 TC-ER	TPE JACKET	BLACK
ITEM	DESCRIPTION	MATERIAL	FINISH

FUNCTIONAL SYMBOLS	THIS DRAWING CONTAINS INFORMATION THAT IS PROPRIETARY TO MOLEX ELECTRONIC TECHNOLOGIES, LLC AND SHOULD NOT BE USED WITHOUT WRITTEN PERMISSION	CURRENT REV DESC: ITEM# 2 & 5 WERE PVC. ADDED TOL CHART & TEMP RATING. MODIFIED MATERIAL TABLE. ADDED IEC VOLTAGE	
	DIMENSION UNITS	SCALE	
	INCH/MM	NTS	
DIVISIONAL SYMBOLS	GENERAL TOLERANCES (UNLESS SPECIFIED)	EC NO: 664420	
		mm	INCH
	4 PLACES ±----	±----	DRWN: ABENJAMINLW 2020/11/02
	3 PLACES ±----	±----	CHK'D: RSTONE 2021/05/19
	2 PLACES ±----	±----	APPR: BWOODMAN 2021/05/19
	1 PLACE ±----	±----	INITIAL REVISION:
	0 PLACES ±----	±----	DRWN: MZIELINS 2016/07/26
	ANGULAR TOL ± ---- °		APPR: BWOODMAN 2016/09/12
	DRAFT WHERE APPLICABLE MUST REMAIN WITHIN DIMENSIONS	THIRD ANGLE PROJECTION	DRAWING SERIES
			C-SIZE 130249
			DOCUMENT NUMBER DOC TYPE/DOC PART/REVISION
			SD-130249-004 PSD 001 B
			MATERIAL NUMBER CUSTOMER SHEET NUMBER
			SEE CHART GENERAL MARKET 1 OF 1