

AN-1441 LM4962 Evaluation Board

1 Introduction

The LM4962 Evaluation Board is designed to evaluate both mono and stereo applications. The LM4962 integrates a switching boost converter with an audio power amplifier. For stereo applications an external audio amplifier is needed. The LM4962 Evaluation Board presents the LM4962 along with the LM4951 audio power amplifier. For more information on the LM4962 or LM4951, see the device-specific data sheet.

The LM4962 is an audio power amplifier primarily designed for driving ceramic speaker in cell phones, Smart Phones, PDA's and other portable applications. It is capable of driving 15Vpp (typ) BTL, per channel, to a 2 μ F + 30 Ω load with less than 1% THD + N from a 3.2VDC power supply. The LM4962 features a low power consumption shutdown mode, an internal thermal shutdown protection mechanism, over current protection (OCP) and over voltage protection (OVP).

2 Operating Conditions

- Temperature Range
 $-40^{\circ}\text{C} \leq T_A \leq +85^{\circ}\text{C}$
- Boost Converter Supply Voltage (V_{DD})
 $3.0\text{V} < V_{DD} < 5.0\text{V}$
- Amplifier Supply Voltage
 $2.7\text{V} < V_{AMP} < 8.5\text{V}$

3 Demo Board Schematic

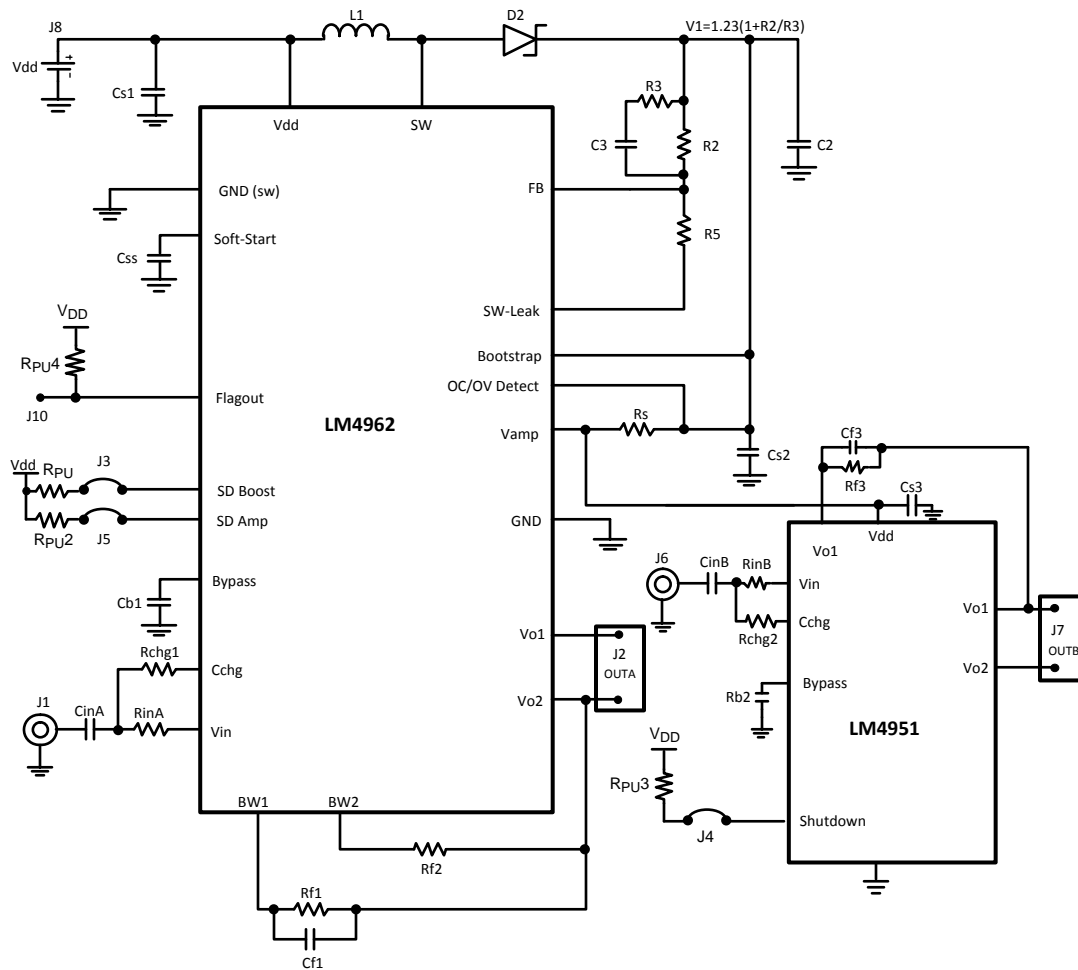


Figure 1. Demo Board Schematic

Table 1. Demo Board Connections

Designator	Label	Function
J1	IN A	Single Ended Audio Input Signal A (LM4962)
J2	OUTA	BTL Audio Output Signal A (LM4962)
J3	SD Boost	Boost Converter Shutdown J3 open = Shutdown J3 shorted = Active
J4	SD AmpB	Amplifier B Shutdown (LM4951) J4 open = Shutdown J4 shorted = Active
J5	SD AmpA	Amplifier A Shutdown (LM4962) J5 open = Shutdown J5 shorted = Active
J6	IN B	Single Ended Audio Input Signal B (LM4951)
J7	OUTB	BTL Audio Output Signal B (LM4951)
J8	GND VDD	Power Supply Connection
J9		Stereo/Mono select J9 Shorted = Stereo J9 Open = Mono
J10	Flagout	Flagout pin to monitor Over Voltage or Over Current conditions

4 Start-Up Sequence

For the LM4962 correct start-up sequencing is important for optimal device performance. Using the correct start up sequence will improve click/pop performance as well as avoid transients that could reduce battery life. For ringer/loudspeaker mode, the supply voltage should be applied first and both the boost and the amplifier should be in shutdown (J3 and J5 open). Then the boost converter can be activated (J3 shorted) followed by the amplifier (J5 shorted). If the boost converter shutdown is toggled while the amplifier is active an audible pop will be heard.

5 Setting the Output Voltage (V1) of Boost Converter

The output voltage is set using the external resistors R2 and R5 (see [Figure 1](#)). A value of approximately 25 kΩ is recommended for R2 to establish the open loop gain of the boost converter. The output voltage of the boost converter can be calculated using [Equation 1](#).

$$V_1 = V_{FB} [1 + (R2 / R5)] \quad (1)$$

6 Feed-Forward Compensation For Boost Converter

Although the LM4962's internal Boost converter is internally compensated, an external feed-forward capacitor, Cf, is required for stability (see [Figure 1](#)). Adding this capacitor puts a zero in the loop response of the converter. The recommended frequency for the zero's -3dB point should be approximately 60 kHz. C3 can be calculated using the formula in [Equation 2](#).

$$C3 = 1 / (2\pi \times R2 \times f_z) \quad (2)$$

7 PCB Layout Guidelines

High frequency boost converters require very careful layout of components in order to get stable operation and low noise. All components must be as close as possible to the LM4962 device. It is recommended that a 4-layer PCB be used so that internal ground planes are available. See [Figure 1](#) for demo board reference schematic and layout. Some additional guidelines to be observed:

- Keep the path between L1, D2, and C2 extremely short. Parasitic trace inductance in series with D2 and C2 will increase noise and ringing.
- If internal ground planes are available (recommended) use vias to connect directly to ground at the GND (SW) and GND pins of U1, as well as the negative sides of capacitors Cs1 and C2
- To ensure correct operation of this device, it is essential that the GND (SW) pin (A3), GND pin (D1), and the negative side of Cs2 be connected to the same GND plane. Cs2 should be placed as close as possible to these two GND planes

8 General Layout Recommendations

This section provides practical guidelines for PCB layouts. Designers should note that these are only "rule-of-thumb" recommendations and the actual results will depend heavily on the final layout.

8.1 Power and Ground Circuits

For multi-layer boards, it is important to isolate the switching power and ground trace paths from the amplifier power and ground trace paths. Star trace routing techniques (bringing individual traces back to a central point rather than daisy chaining traces together in a serial manner) can have a major impact on low level signal performance. Star trace routing refers to using individual traces to feed power and ground to each circuit or even device. This technique requires a greater amount of design time but will not increase the final price of the board.

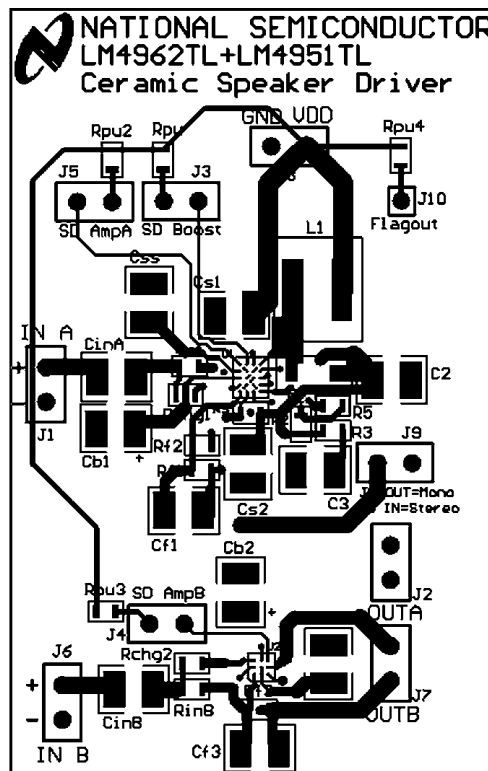
8.2 Avoiding Typical Design and Layout Problems

Avoid ground loops or running digital and analog traces parallel to each other (side-by-side) on the same PCB layer. When traces must cross over each other do it at 90°. Running digital and analog traces at 90° to each other from the top to the bottom side as much as possible will minimize capacitive noise coupling and crosstalk.

Table 2. LM4962 Evaluation Board Bill of Materials

Item	Description	Package	Value	Notes
U1	Ceramic Speaker Driver	DSBGA		
U2	Audio Power Amplifier	DSBGA		
Cf1, Cf3	Ceramic Capacitor	1210	82 pF, 50V	50V
C3	Ceramic Capacitor	1210	100 pF, 50V	50V
CinA, CinB	Ceramic Capacitor	1210	0.39 μ F, 50V	
C2, Cs1, Cs2, Cs3	Ceramic Capacitor	1210	4.7 μ F, 16V	low ESR, ESR < 50 Ω
Css	Ceramic Capacitor	1210	10 nF, 16V	
Cb1, Cb2	Tantalum Capacitor	1210	1 μ F, 16V	
D2	Schottky Diode	SOD-123	20V, 0.5A	On Semi MBR0520
L1	Inductor	4.3mm X 4.8mm X 3.5mm	10 μ H, 1.04A	Sumida CR43-100
R3	Resistor	0603	1.6 k Ω	1/10W, 5%
R2	Resistor	0603	25 k Ω	1/10W, 5%
Rpu, Rpu2, Rpu3, Rchg1, Rchg2,	Resistor	0603	1 k Ω	1/10W, 5%
Rpu4	Resistor	0603	100 k Ω	1/10W, 5%
RinA, RinB, Rf2	Resistor	0603	20 k Ω	1/10W, 5%
Rf1, Rf3	Resistor	0603	200 k Ω	1/10W, 5%
Rchg1, Rchg2	Resistor	0603	1 k Ω	1/10W, 5%
R4	Resistor	0603	4.9 k Ω	1/10W, 5%
R3	Resistor	0603	100 m Ω	1/10W, 5%

9 PCB Layout



**Figure 2. Top Layer
(Shown With Top Silkscreen visible)**

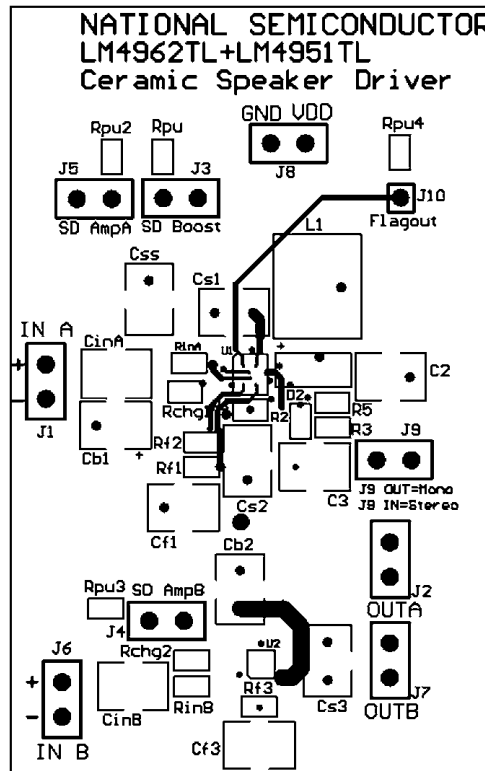


Figure 3. Mid Layer 1
(Shown With Top Silkscreen visible)

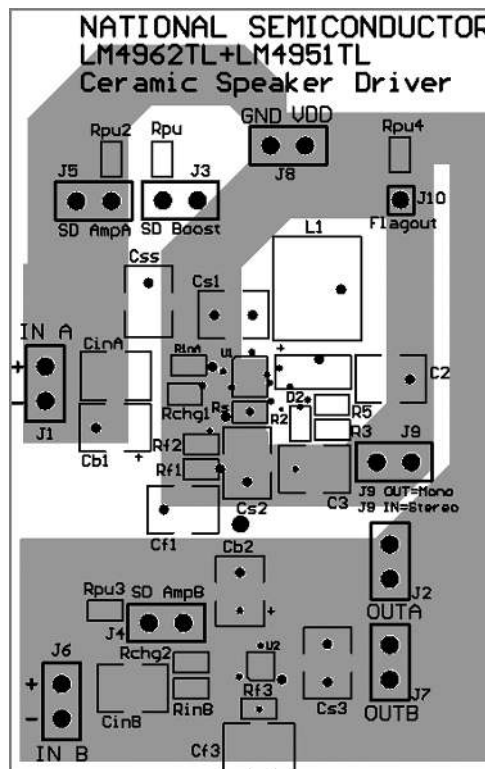


Figure 4. Mid Layer 2
(Shown With Top Silkscreen visible)

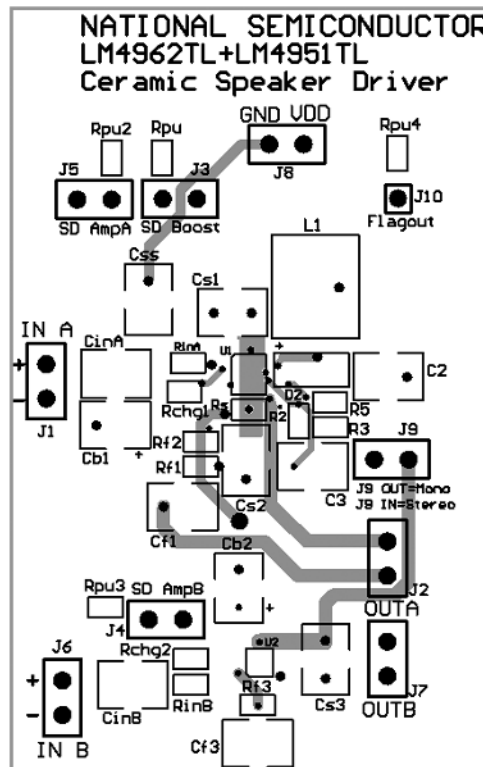


Figure 5. Bottom Layer
(Shown With Top Silkscreen visible)

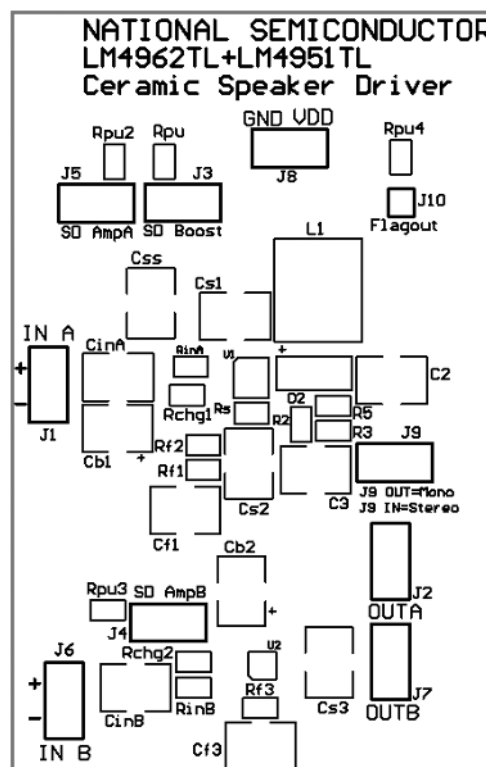


Figure 6. Top Silkscreen

10 Revision Table

Rev	Date	Description
0.1	04/20/06	Initial release.

IMPORTANT NOTICE

Texas Instruments Incorporated and its subsidiaries (TI) reserve the right to make corrections, enhancements, improvements and other changes to its semiconductor products and services per JESD46, latest issue, and to discontinue any product or service per JESD48, latest issue. Buyers should obtain the latest relevant information before placing orders and should verify that such information is current and complete. All semiconductor products (also referred to herein as "components") are sold subject to TI's terms and conditions of sale supplied at the time of order acknowledgment.

TI warrants performance of its components to the specifications applicable at the time of sale, in accordance with the warranty in TI's terms and conditions of sale of semiconductor products. Testing and other quality control techniques are used to the extent TI deems necessary to support this warranty. Except where mandated by applicable law, testing of all parameters of each component is not necessarily performed.

TI assumes no liability for applications assistance or the design of Buyers' products. Buyers are responsible for their products and applications using TI components. To minimize the risks associated with Buyers' products and applications, Buyers should provide adequate design and operating safeguards.

TI does not warrant or represent that any license, either express or implied, is granted under any patent right, copyright, mask work right, or other intellectual property right relating to any combination, machine, or process in which TI components or services are used. Information published by TI regarding third-party products or services does not constitute a license to use such products or services or a warranty or endorsement thereof. Use of such information may require a license from a third party under the patents or other intellectual property of the third party, or a license from TI under the patents or other intellectual property of TI.

Reproduction of significant portions of TI information in TI data books or data sheets is permissible only if reproduction is without alteration and is accompanied by all associated warranties, conditions, limitations, and notices. TI is not responsible or liable for such altered documentation. Information of third parties may be subject to additional restrictions.

Resale of TI components or services with statements different from or beyond the parameters stated by TI for that component or service voids all express and any implied warranties for the associated TI component or service and is an unfair and deceptive business practice. TI is not responsible or liable for any such statements.

Buyer acknowledges and agrees that it is solely responsible for compliance with all legal, regulatory and safety-related requirements concerning its products, and any use of TI components in its applications, notwithstanding any applications-related information or support that may be provided by TI. Buyer represents and agrees that it has all the necessary expertise to create and implement safeguards which anticipate dangerous consequences of failures, monitor failures and their consequences, lessen the likelihood of failures that might cause harm and take appropriate remedial actions. Buyer will fully indemnify TI and its representatives against any damages arising out of the use of any TI components in safety-critical applications.

In some cases, TI components may be promoted specifically to facilitate safety-related applications. With such components, TI's goal is to help enable customers to design and create their own end-product solutions that meet applicable functional safety standards and requirements. Nonetheless, such components are subject to these terms.

No TI components are authorized for use in FDA Class III (or similar life-critical medical equipment) unless authorized officers of the parties have executed a special agreement specifically governing such use.

Only those TI components which TI has specifically designated as military grade or "enhanced plastic" are designed and intended for use in military/aerospace applications or environments. Buyer acknowledges and agrees that any military or aerospace use of TI components which have **not** been so designated is solely at the Buyer's risk, and that Buyer is solely responsible for compliance with all legal and regulatory requirements in connection with such use.

TI has specifically designated certain components as meeting ISO/TS16949 requirements, mainly for automotive use. In any case of use of non-designated products, TI will not be responsible for any failure to meet ISO/TS16949.

Products

Audio	www.ti.com/audio
Amplifiers	amplifier.ti.com
Data Converters	dataconverter.ti.com
DLP® Products	www.dlp.com
DSP	dsp.ti.com
Clocks and Timers	www.ti.com/clocks
Interface	interface.ti.com
Logic	logic.ti.com
Power Mgmt	power.ti.com
Microcontrollers	microcontroller.ti.com
RFID	www.ti-rfid.com
OMAP Applications Processors	www.ti.com/omap
Wireless Connectivity	www.ti.com/wirelessconnectivity

Applications

Automotive and Transportation	www.ti.com/automotive
Communications and Telecom	www.ti.com/communications
Computers and Peripherals	www.ti.com/computers
Consumer Electronics	www.ti.com/consumer-apps
Energy and Lighting	www.ti.com/energy
Industrial	www.ti.com/industrial
Medical	www.ti.com/medical
Security	www.ti.com/security
Space, Avionics and Defense	www.ti.com/space-avionics-defense
Video and Imaging	www.ti.com/video

TI E2E Community

e2e.ti.com