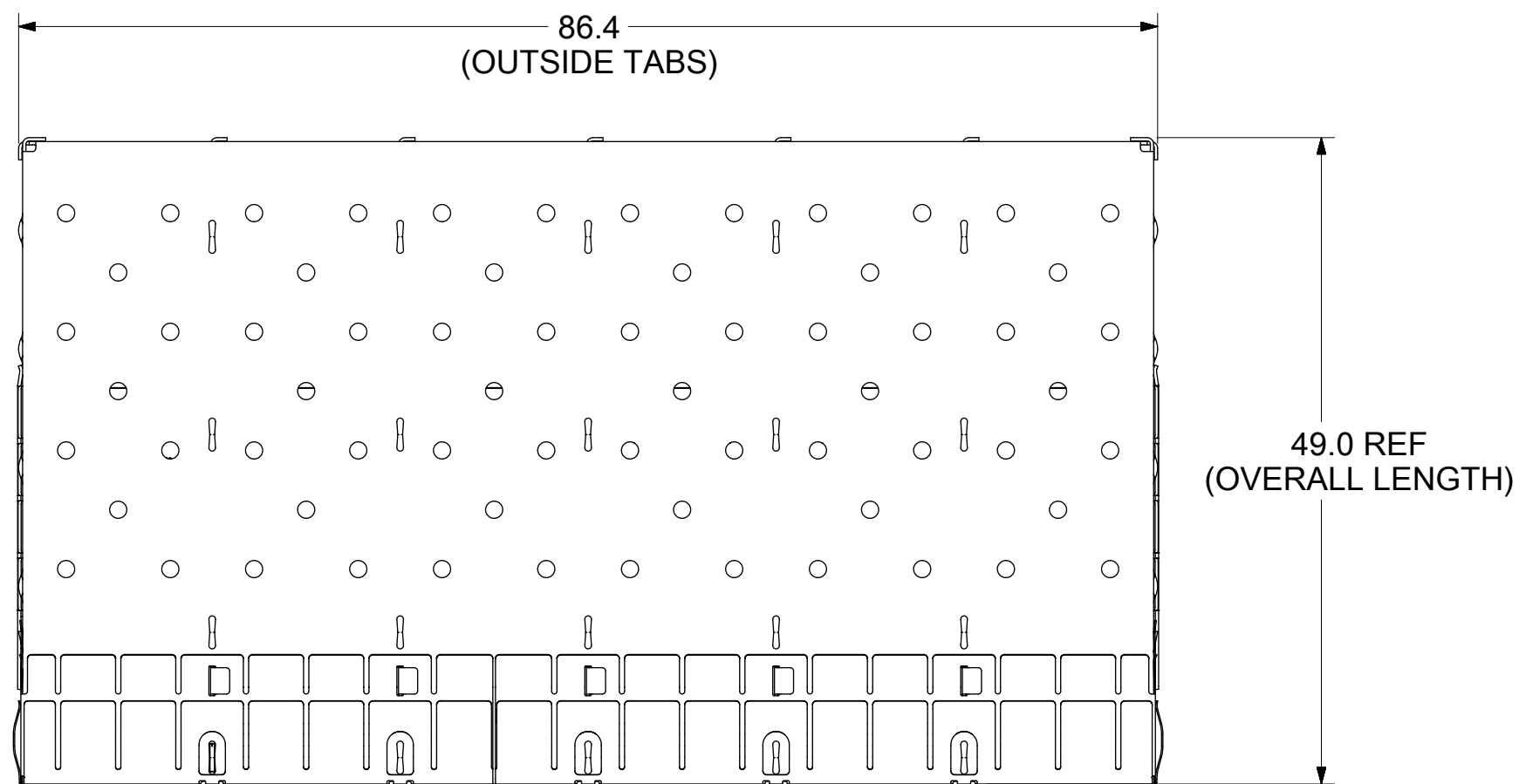


BASE CAGE DETAILS

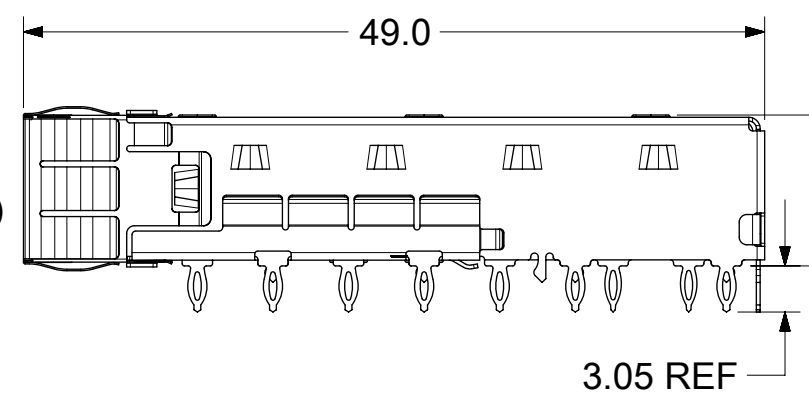
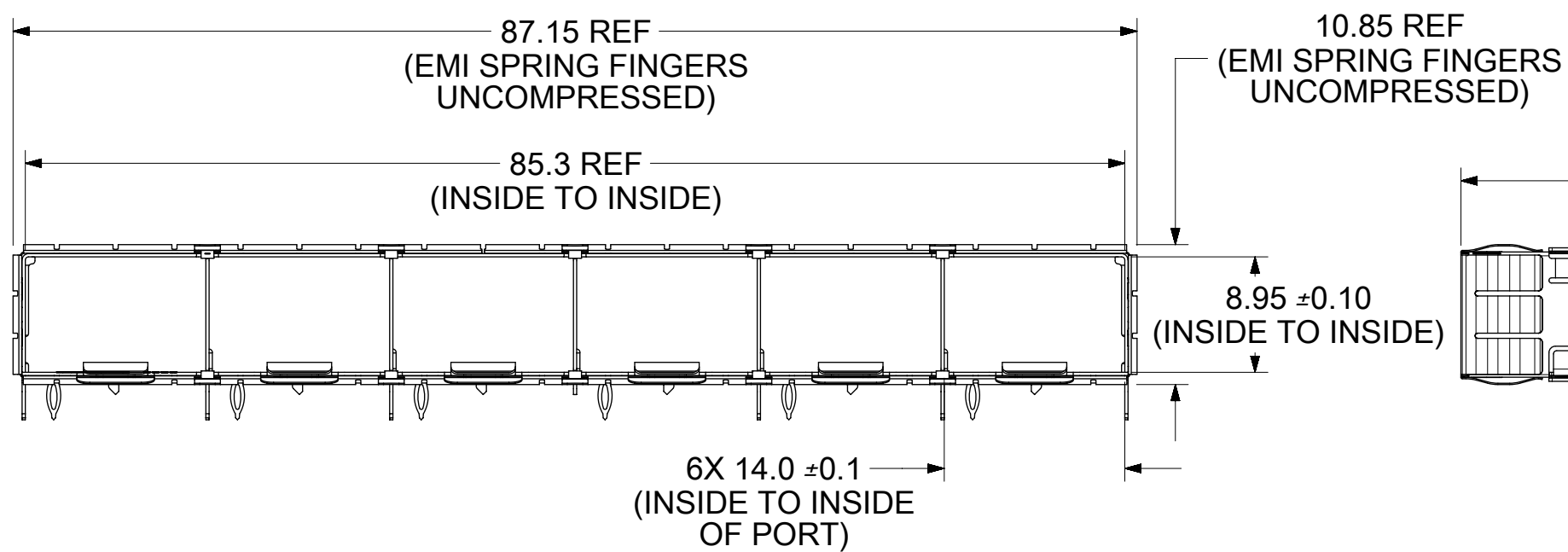
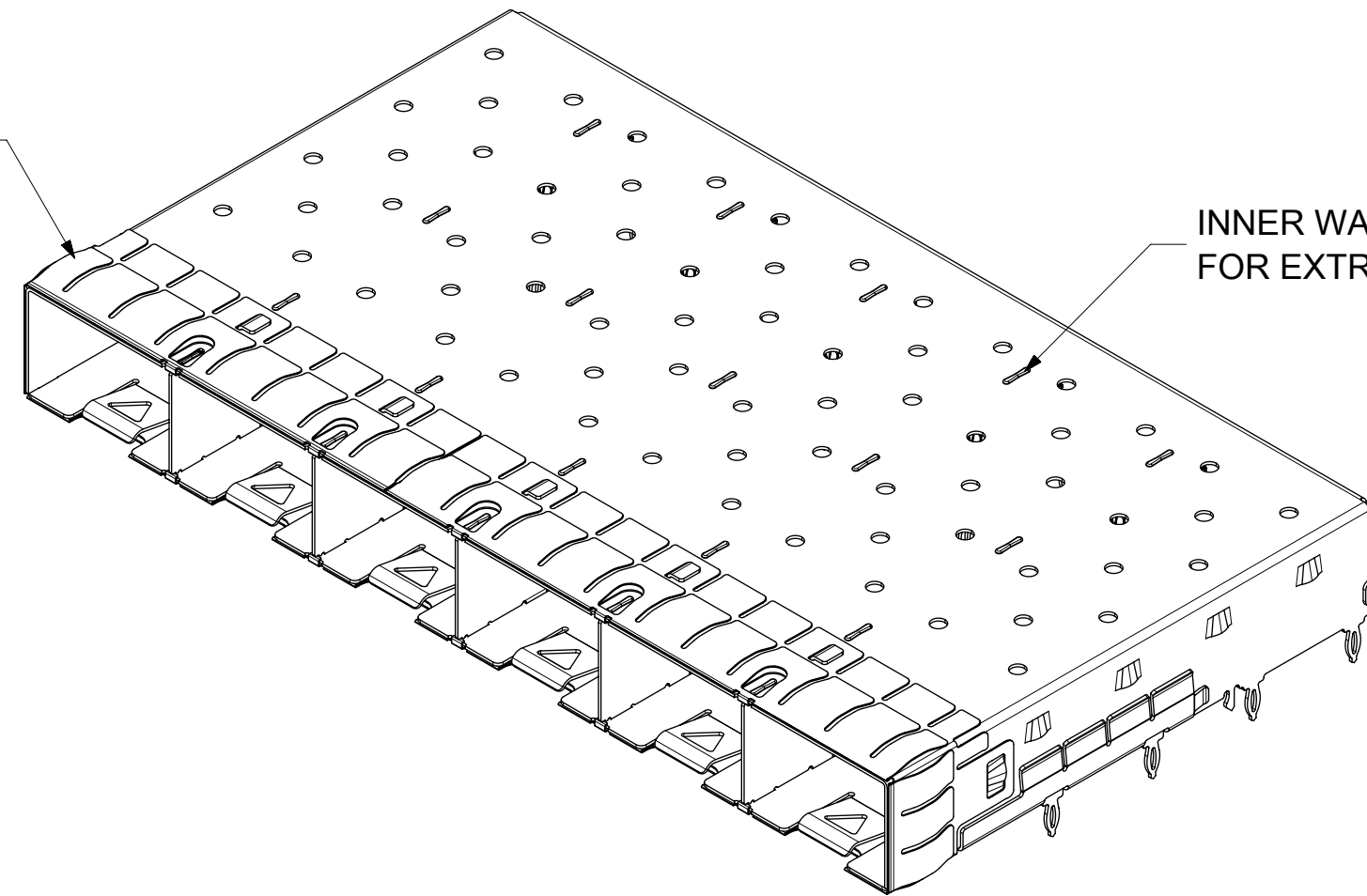
747540620 SHOWN

(APPLIES TO ALL CAGES IN THIS DRAWING)



EMI SPRING FINGERS

INNER WALLS ARE COINED FOR EXTRA RIGIDITY



9.98 REF
(TOP OF CAGE TO PCB PAD SURFACE)

INNER WALL TABS WELDED

XXXXXXXXXXWWYY

PN/DATE CODE TO BE PRINTED ON THE SIDE OF COMPLETED CAGE ASSEMBLY APPROXIMATELY AS SHOWN.

WEEK/YEAR DATE CODE TABLE

WW	WEEK 01 THRU 52 OR 53 EXAMPLE: 01 = FIRST WEEK OF YEAR 52 = LAST WEEK OF YEAR
YY	20, 21, 22, ETC. EXAMPLE: YEAR 2020 = 20

NOTES:

- MATERIAL:
CAGE: 0.25mm THICK COPPER ALLOY, NICKEL PLATED.
SPRING FINGERS: 0.10mm THICK COPPER ALLOY, NICKEL PLATED.
HEATSINK: ALUMINUM, NICKEL PLATED.
HEATSINK SPRING CLIP: STAINLESS STEEL.
- PRESS FIT LEGS 3.05mm LONG:
- PORTS ARE DESIGNED FOR SFP+ TRANSCEIVERS AND ARE COMPATIBLE WITH SFP TRANSCEIVERS. THE TOP SURFACE OF THE MODULE MUST BE FLAT (NO PRODUCT LABEL RECESS) AND THERMALLY CONDUCTIVE TO FUNCTION OPTIMALLY.
- WELD SPOT MAY SHOW SLIGHT MATERIAL DISCOLORATION.
- NO RoHS EXEMPTIONS.
- CUSTOM HEATSINKS AVAILABLE UPON REQUEST.

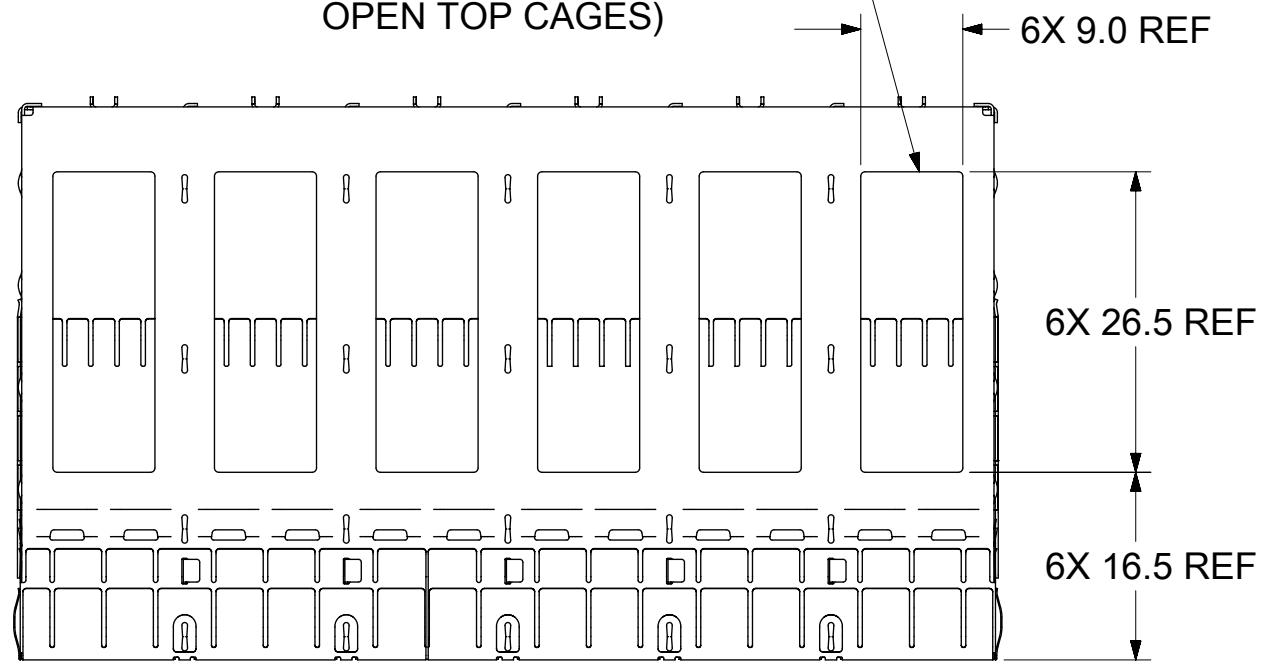
FUNCTIONAL SYMBOLS	THIS DRAWING CONTAINS INFORMATION THAT IS PROPRIETARY TO MOLEX ELECTRONIC TECHNOLOGIES, LLC AND SHOULD NOT BE USED WITHOUT WRITTEN PERMISSION		CURRENT REV DESC: SEE REVISION TABLE				
	DIMENSION UNITS	SCALE					
$\nabla_A = 0$	mm	2:1			SFP+ 1X6 CAGE, .120 INCH PRESS FIT, HEAT SINKS, WITH EMI SPRING FINGERS		
$\nabla_C = 0$	GENERAL TOLERANCES (UNLESS SPECIFIED)						
$\nabla_P = 0$	ANGULAR TOL ± 1.0°				PRODUCT CUSTOMER DRAWING		
DIVISIONAL SYMBOLS	4 PLACES ±		EC NO: 636888	2020/05/04			
	3 PLACES ±		DRWN: DKUMARG	2020/05/05			
	2 PLACES ± 0.15		CHK'D: TKUMARKC	2020/05/06			
	1 PLACE ± 0.25		APPR: JCHIANG				
	0 PLACES ±		INITIAL REVISION:				
	DRAFT WHERE APPLICABLE MUST REMAIN WITHIN DIMENSIONS		DRWN: MHANUMAPPARE	2017/02/23			
	THIRD ANGLE PROJECTION		APPR: RCHEN08	2017/05/03			
	DRAWING		SERIES	DOCUMENT NUMBER	DOC TYPE	DOC PART	REVISION
	C-SIZE		111112	111122620	PSD	ASY	H2
	MATERIAL NUMBER		CUSTOMER	SHEET NUMBER			
	SEE SHEET 4		GENERAL MARKET	1 OF 9			

DOCUMENT STATUS	P1	RELEASE DATE	2020/05/06	06:36:54
-----------------	----	--------------	------------	----------

CAGE ASSEMBLY OPTIONS

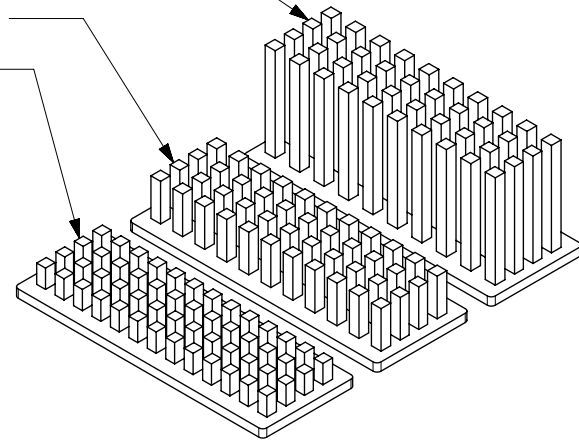
OPEN TOP

1111120620
SHOWN
(APPLIES TO ALL
OPEN TOP CAGES)



HEATSINK OPTIONS

PIN FIELD NETWORKING
PIN FIELD SAN
PIN FIELD PCI



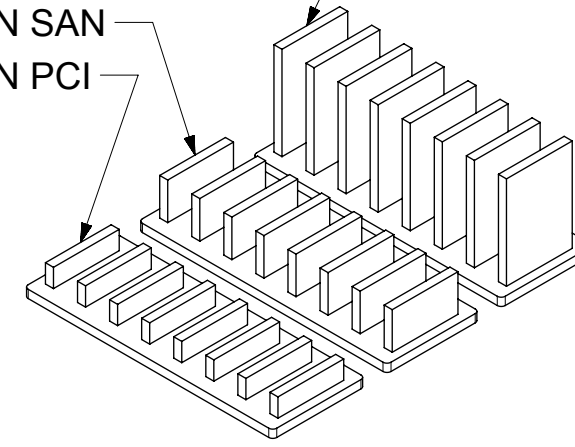
OVERALL HEATSINK HEIGHT

APPLICATION	DIM 'A'
PCI	14.3
SAN	16.6
NETWORKING	23.6

NOTE: PCI - 13 ROWS
SAN - 11 ROWS
NETWORKING - 10 ROWS

HEATSINK OPTIONS

LATERAL FIN NETWORKING
LATERAL FIN SAN
LATERAL FIN PCI

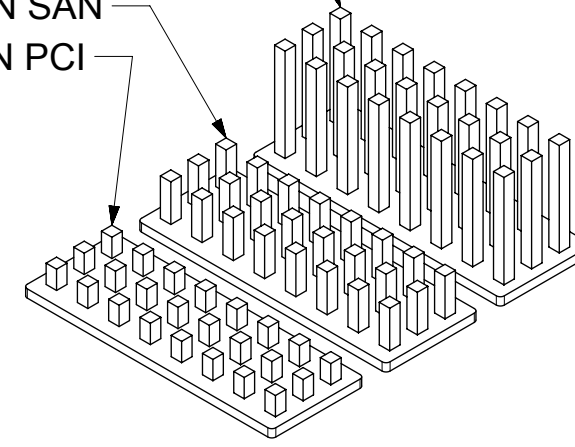


OVERALL HEATSINK HEIGHT

APPLICATION	DIM 'A'
PCI	14.3
SAN	16.6
NETWORKING	23.6

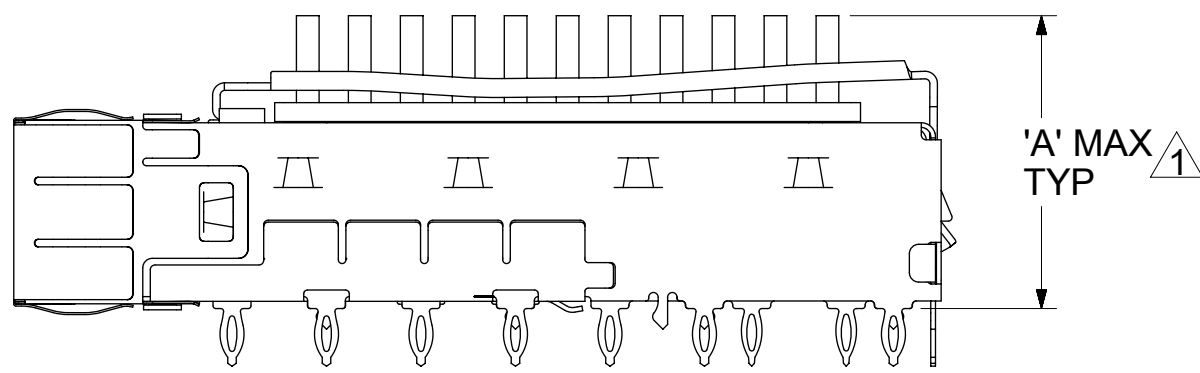
HEATSINK OPTIONS

WIDE GAP PIN NETWORKING
WIDE GAP PIN SAN
WIDE GAP PIN PCI

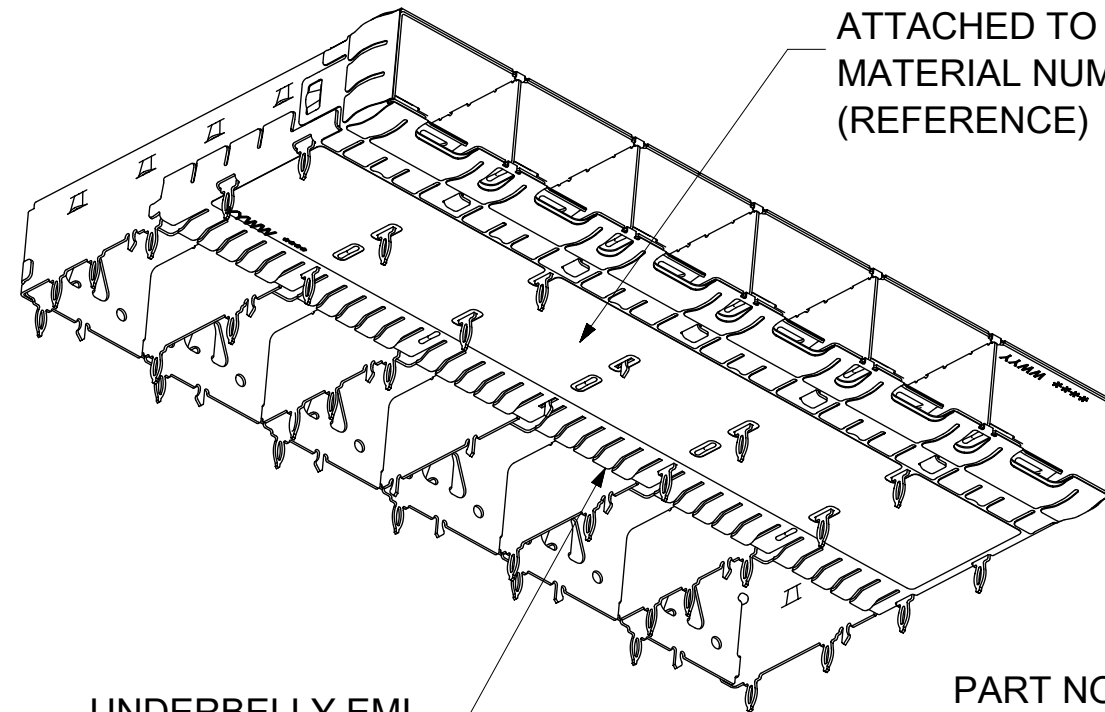


OVERALL HEATSINK HEIGHT

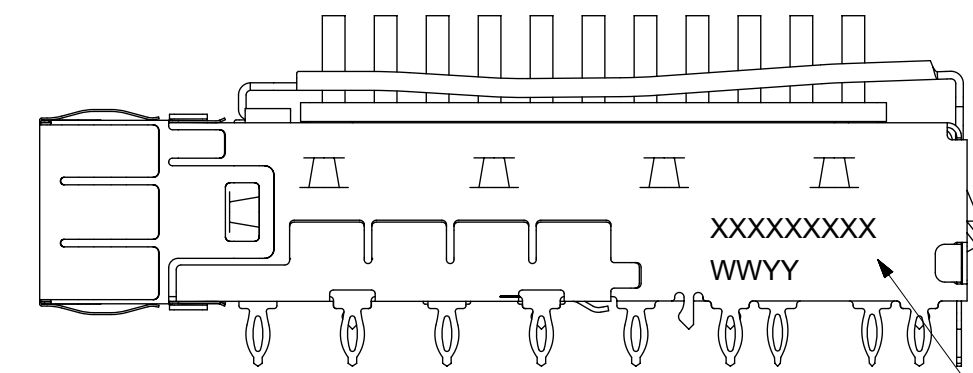
APPLICATION	DIM 'A'
PCI	14.3
SAN	16.6
NETWORKING	23.6



OPTIONAL POLYIMIDE INSULATOR
ATTACHED TO BOTTOM OF CAGE
MATERIAL NUMBER 739300634
(REFERENCE)



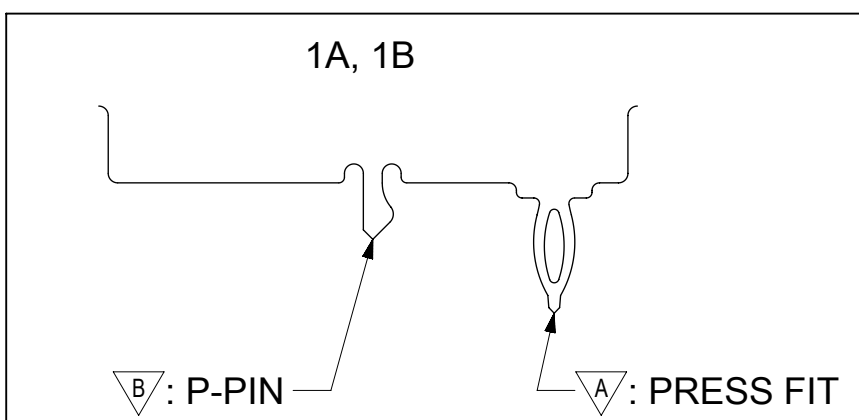
UNDERBELLY EMI
SPRING FINGERS



PART NO. AND WEEK/YEAR DATE CODE TO BE PRINTED ON
BACK OF COMPLETED CAGE ASSEMBLY APPROXIMATELY AS SHOWN.
SEE TABLE BELOW FOR DATE CODE INFORMATION.

NOTES:
HEIGHT OF HEATSINK WITH MODULE INSERTED.
DIMENSION MAY BE LESS DUE TO MODULE AND HEATSINK VARIATIONS.

REAR LEG OPTIONS (PER PORT)

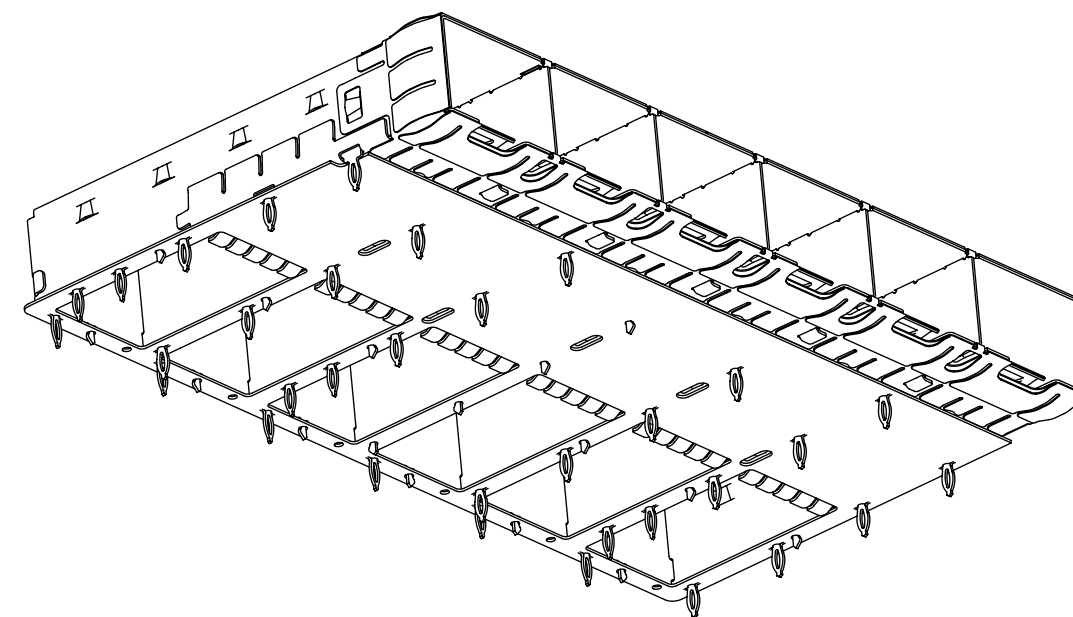
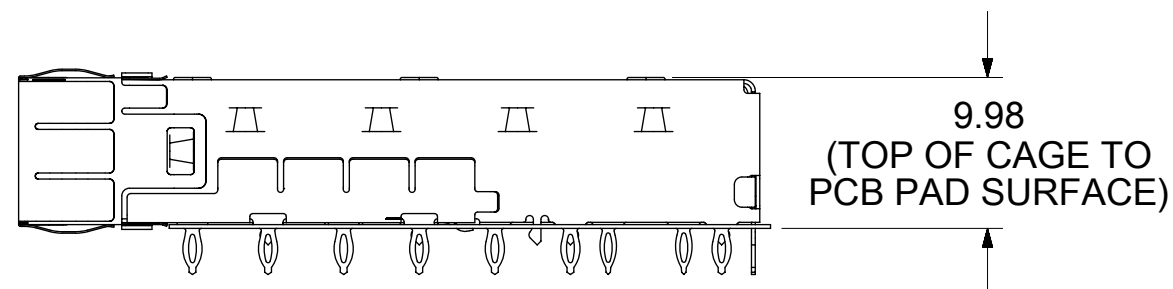
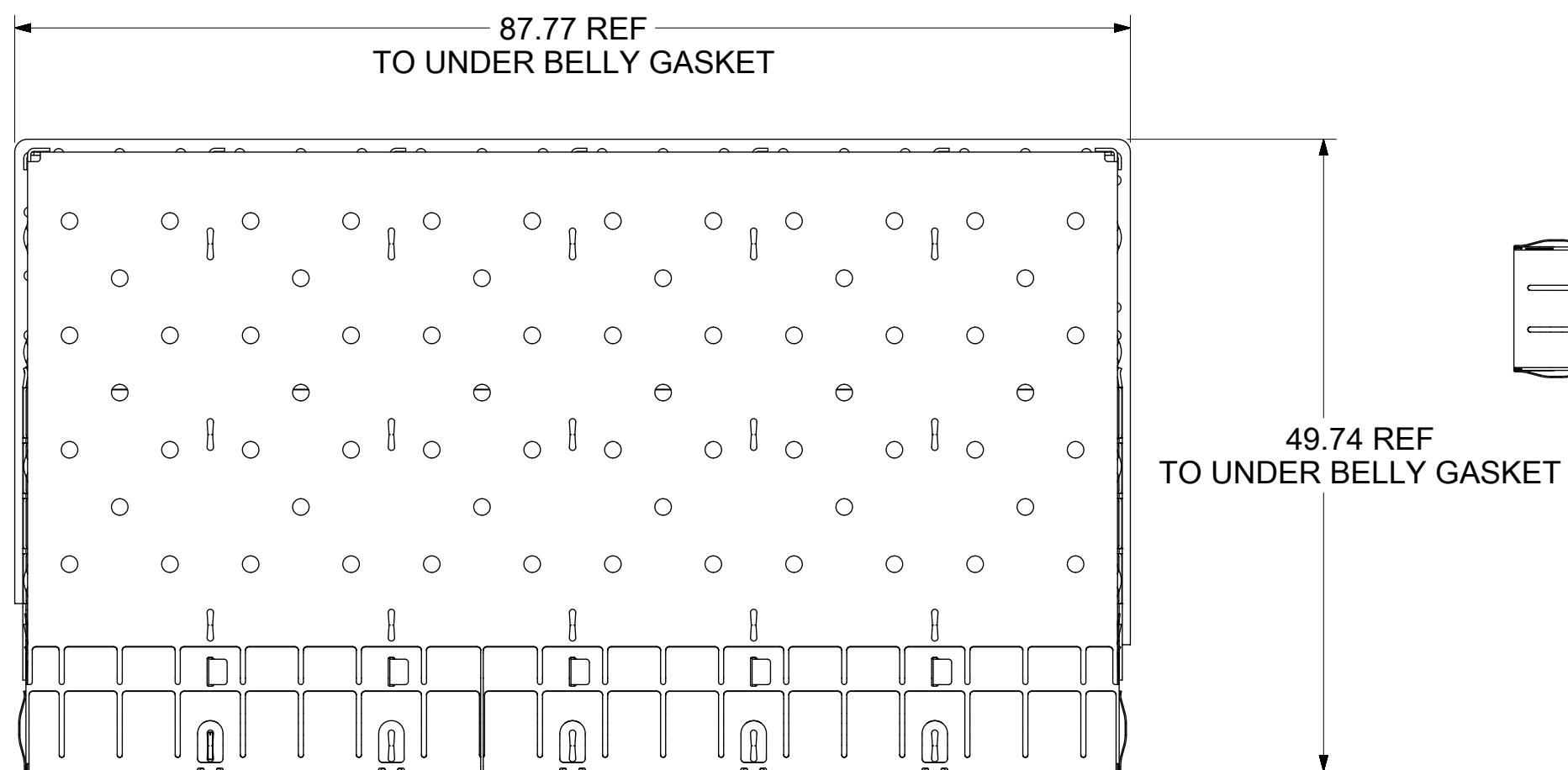


WEEK/YEAR DATE CODE TABLE	
WW	01 THRU 52 OR 53 EXAMPLE: 01 = FIRST WEEK OF YEAR 52 = LAST WEEK OF YEAR
YY	20, 21, 22, ETC. EXAMPLE: YEAR 2020 = 20

FUNCTIONAL SYMBOLS FA = 0 FE = 0 FP = 0	THIS DRAWING CONTAINS INFORMATION THAT IS PROPRIETARY TO MOLEX ELECTRONIC TECHNOLOGIES, LLC AND SHOULD NOT BE USED WITHOUT WRITTEN PERMISSION	CURRENT REV DESC: SEE REVISION TABLE		molex		
	DIMENSION UNITS: mm	SCALE: 1.5:1	SFP+ 1X6 CAGE, .120 INCH PRESS FIT, HEAT SINKS, WITH EMI SPRING FINGERS			
	GENERAL TOLERANCES (UNLESS SPECIFIED)		EC NO: 636888		PRODUCT CUSTOMER DRAWING	
	ANGULAR TOL ± 1.0°		DRWN: DKUMARG 2020/05/04		DOCUMENT NUMBER: 1111122620	
DIVISIONAL SYMBOLS		3 PLACES ±		DOC TYPE: PSD		
4 PLACES ±		CHK'D: TKUMARKC 2020/05/05		DOC PART: ASY		
2 PLACES ± 0.15		APPR: JCHIANG 2020/05/06		REVISION: H2		
1 PLACE ± 0.25		INITIAL REVISION: DRWN: MHANUMAPPARE 2017/02/23		MATERIAL NUMBER: SEE SHEET 4		
0 PLACES ±		APPR: RCHEN08 2017/05/03		CUSTOMER: GENERAL MARKET		
DRAFT WHERE APPLICABLE MUST REMAIN WITHIN DIMENSIONS		THIRD ANGLE PROJECTION		SHEET NUMBER: 2 OF 9		
		DRAWING: C-SIZE		SERIES: 111112		

OPTIONAL GEN 2 UNDER BELLY GASKET

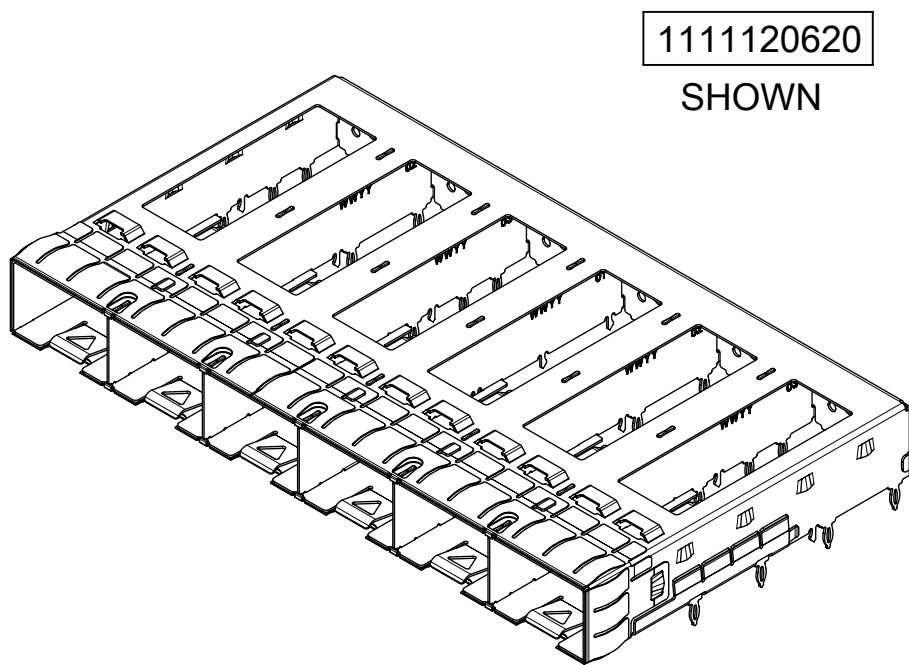
1001150620 SHOWN



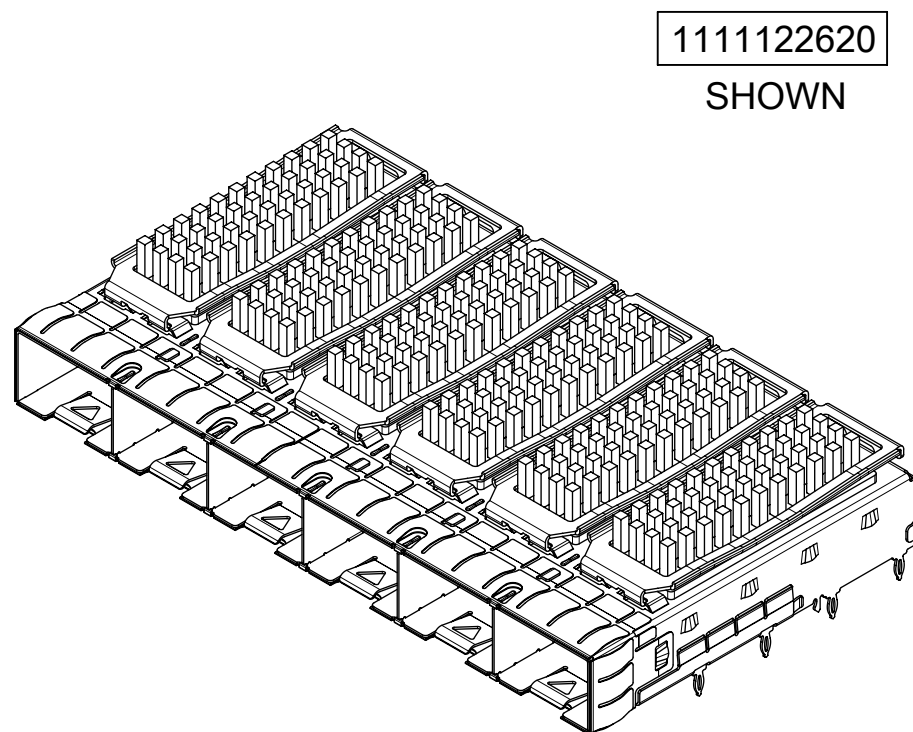
FUNCTIONAL SYMBOLS	THIS DRAWING CONTAINS INFORMATION THAT IS PROPRIETARY TO MOLEX ELECTRONIC TECHNOLOGIES, LLC AND SHOULD NOT BE USED WITHOUT WRITTEN PERMISSION											
	DIMENSION UNITS	SCALE	CURRENT REV DESC: SEE REVISION TABLE									
$\frac{F}{A} = 0$	mm	2:1	EC NO: 636888 DRWN: DKUMARG 2020/05/04 CHK'D: TKUMARKC 2020/05/05 APPR: JCHIANG 2020/05/06									SFP+ 1X6 CAGE, .120 INCH PRESS FIT, HEAT SINKS, WITH EMI SPRING FINGERS
$\frac{F}{C} = 0$	GENERAL TOLERANCES (UNLESS SPECIFIED)									INITIAL REVISION: DRWN: MHANUMAPPARE 2017/02/23 APPR: RCHEN08 2017/05/03		
$\frac{F}{P} = 0$	ANGULAR TOL $\pm 1.0^\circ$		DOCUMENT NUMBER		DOC TYPE	DOC PART	REVISION	111122620				
DIVISIONAL SYMBOLS	4 PLACES \pm		MATERIAL NUMBER		CUSTOMER		SEE SHEET 4		GENERAL MARKET		SHEET NUMBER	
	3 PLACES \pm		111112		C-SIZE		3		2		1	
	2 PLACES ± 0.15		DRAFT WHERE APPLICABLE MUST REMAIN WITHIN DIMENSIONS		THIRD ANGLE PROJECTION		DRAWING		SERIES		3 OF 9	
	1 PLACE ± 0.25											
	0 PLACES \pm											

DOCUMENT STATUS	P1	RELEASE DATE	2020/05/06	06:36:54
-----------------	----	--------------	------------	----------

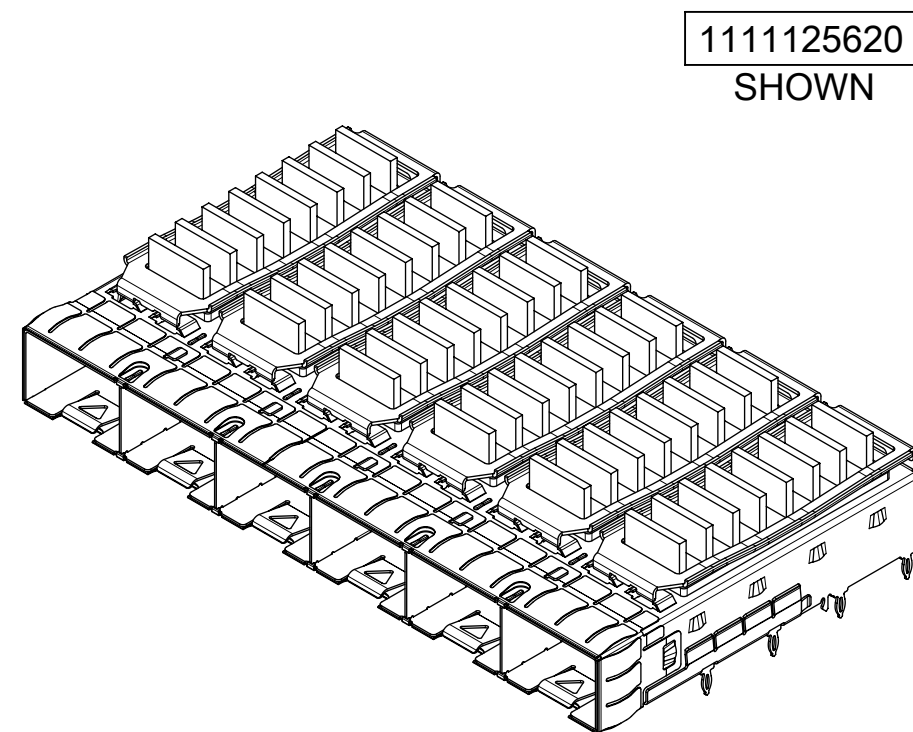
PART NUMBER SELECTION



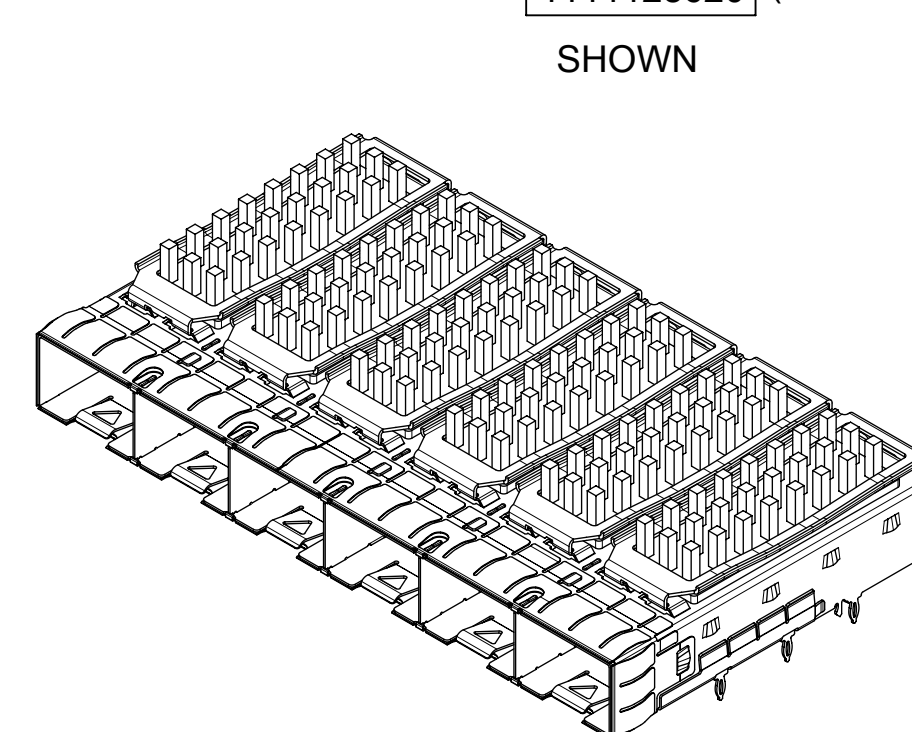
1111120620
SHOWN



1111122620
SHOWN



1111125620
SHOWN



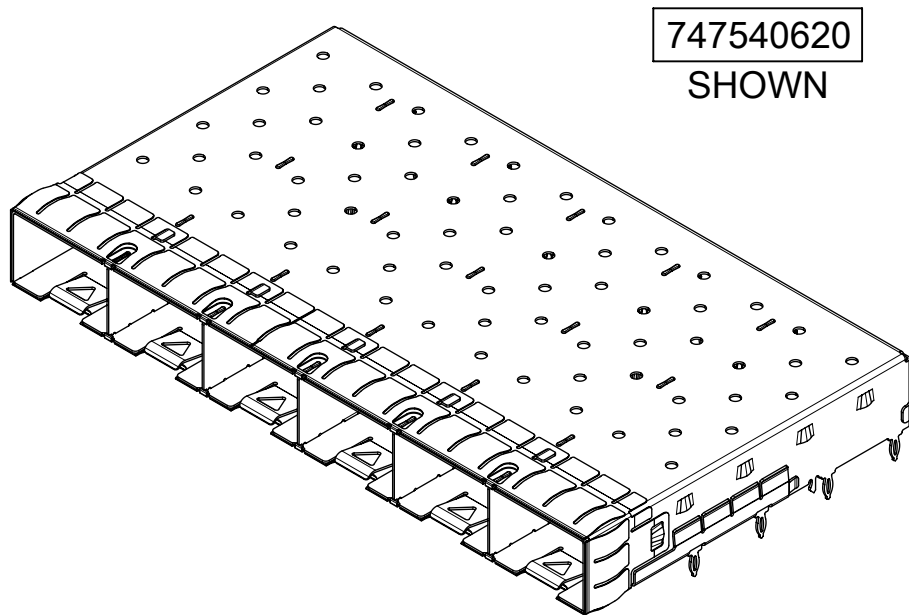
1111128620 (OBSOLETE)
SHOWN

SFP+ OPEN TOP BASE CAGE FOR HEATSINKS		
PART NO.	POLYIMIDE INSOLATOR	# OF REAR LEGS PER PORT
1111120620	---	1A, 1B
1111120660	YES	1A, 1B

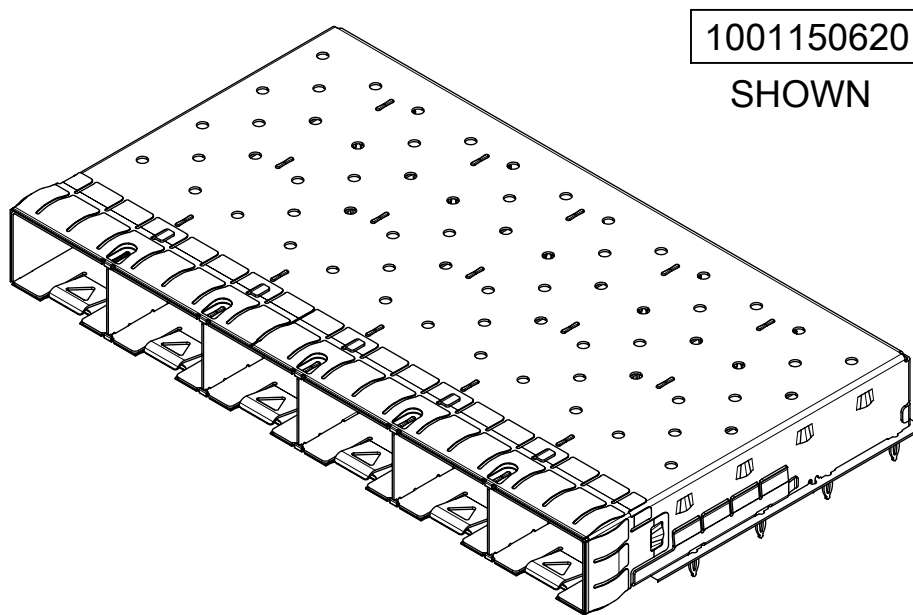
SFP+ PIN FIELD HEATSINK OPTION			
PART NO.	POLYIMIDE INSOLATOR	HEATSINK	# OF REAR LEGS PER PORT
1111121620	---	PCI	1A, 1B
1111121660	YES	PCI	1A, 1B
1111122620	---	SAN	1A, 1B
1111122660	YES	SAN	1A, 1B
1111123620	---	NET	1A, 1B
1111123660	YES	NET	1A, 1B

SFP+ LATERAL FIN HEATSINK OPTION			
PART NO.	POLYIMIDE INSOLATOR	HEATSINK	# OF REAR LEGS PER PORT
1111124660	YES	PCI	1A, 1B
1111125620	---	SAN	1A, 1B
1111125660	YES	SAN	1A, 1B
1111126620	---	NET	1A, 1B
1111126660	YES	NET	1A, 1B

SFP+ WIDE GAP PIN FIELD HEATSINK OPTION			
PART NO.	POLYIMIDE INSOLATOR	HEATSINK	# OF REAR LEGS PER PORT
1111127620	---	PCI	1A, 1B
1111127660	YES	PCI	1A, 1B
1111128660	YES	SAN	1A, 1B
1111129620	---	NET	1A, 1B
1111129660	YES	NET	1A, 1B



747540620
SHOWN



1001150620
SHOWN

SFP+ CLOSED TOP BASE CAGE			
PART NO.	POLYIMIDE INSOLATOR	SF WELD POINTS	# OF REAR LEGS PER PORT
747540620	---	2	1A, 1B
747540622	---	4 SIDES	1A, 1B

zSFP+ GEN 2 CLOSED TOP BASE CAGE		
PART NO.	POLYIMIDE INSOLATOR	# OF REAR LEGS PER PORT
1001150620	---	1A, 1B

NOTE: PCI - 13 ROWS
SAN - 11 ROWS
NETWORKING - 10 ROWS

FUNCTIONAL SYMBOLS	THIS DRAWING CONTAINS INFORMATION THAT IS PROPRIETARY TO MOLEX ELECTRONIC TECHNOLOGIES, LLC AND SHOULD NOT BE USED WITHOUT WRITTEN PERMISSION		CURRENT REV DESC: SEE REVISION TABLE	
	DIMENSION UNITS	SCALE		
$\nabla_A = 0$	mm	1.25:1		
$\nabla_E = 0$	GENERAL TOLERANCES (UNLESS SPECIFIED)			
	ANGULAR TOL $\pm 1.0^\circ$			
DIVISIONAL SYMBOLS	4 PLACES	\pm	EC NO: 636888	
	3 PLACES	\pm	DRWN: DKUMARG	2020/05/04
	2 PLACES	± 0.15	CHK'D: TKUMARKC	2020/05/05
	1 PLACE	± 0.25	APPR: JCHIANG	2020/05/06
0 PLACES	\pm	INITIAL REVISION:		
DRAFT WHERE APPLICABLE MUST REMAIN WITHIN DIMENSIONS		THIRD ANGLE PROJECTION	DRWING	SERIES
			C-SIZE	111112
DOCUMENT STATUS		P1	RELEASE DATE	2020/05/06 06:36:54

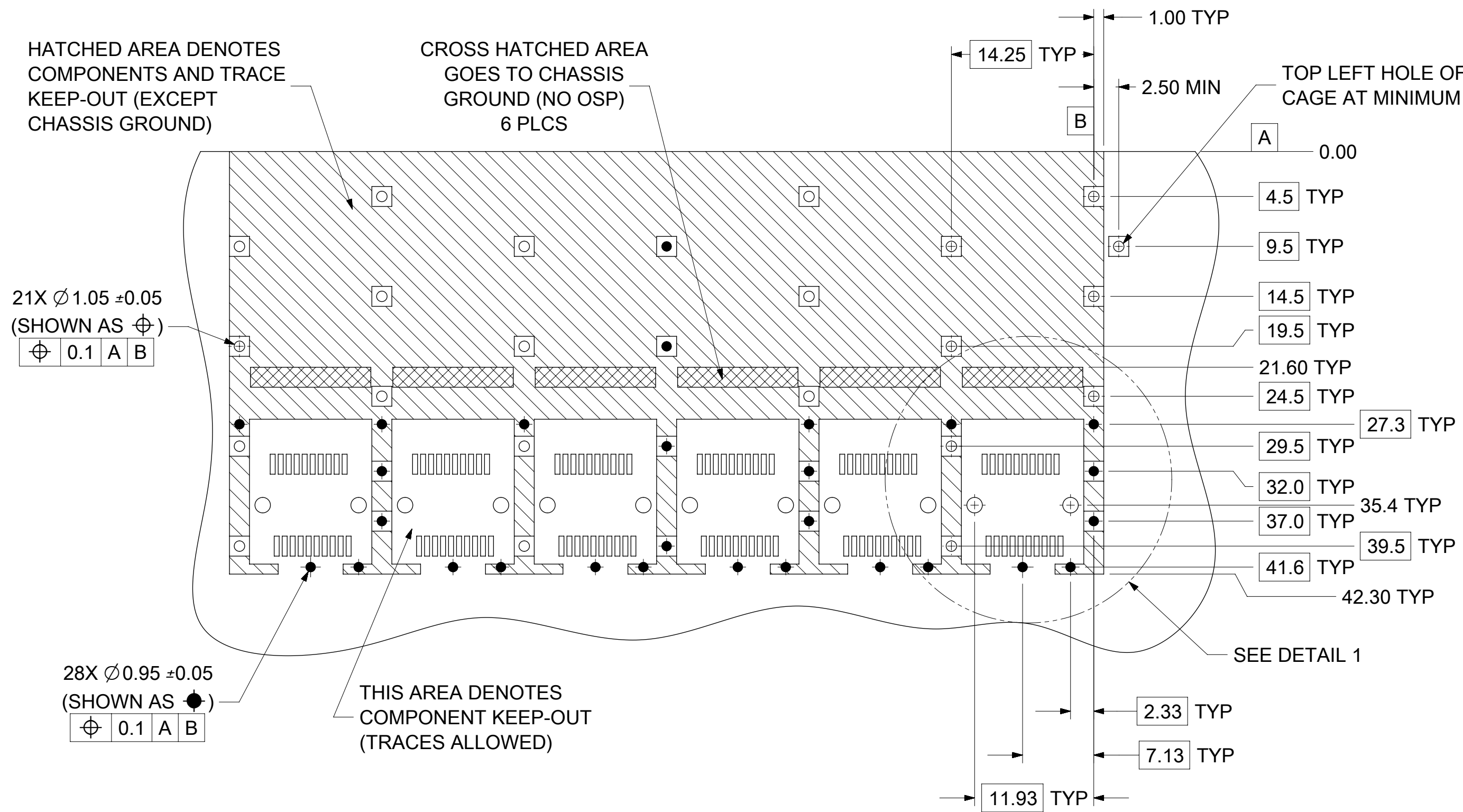
SFP+ 1X6 CAGE, .120 INCH
PRESS FIT, HEAT SINKS, WITH EMI SPRING FINGERS

PRODUCT CUSTOMER DRAWING

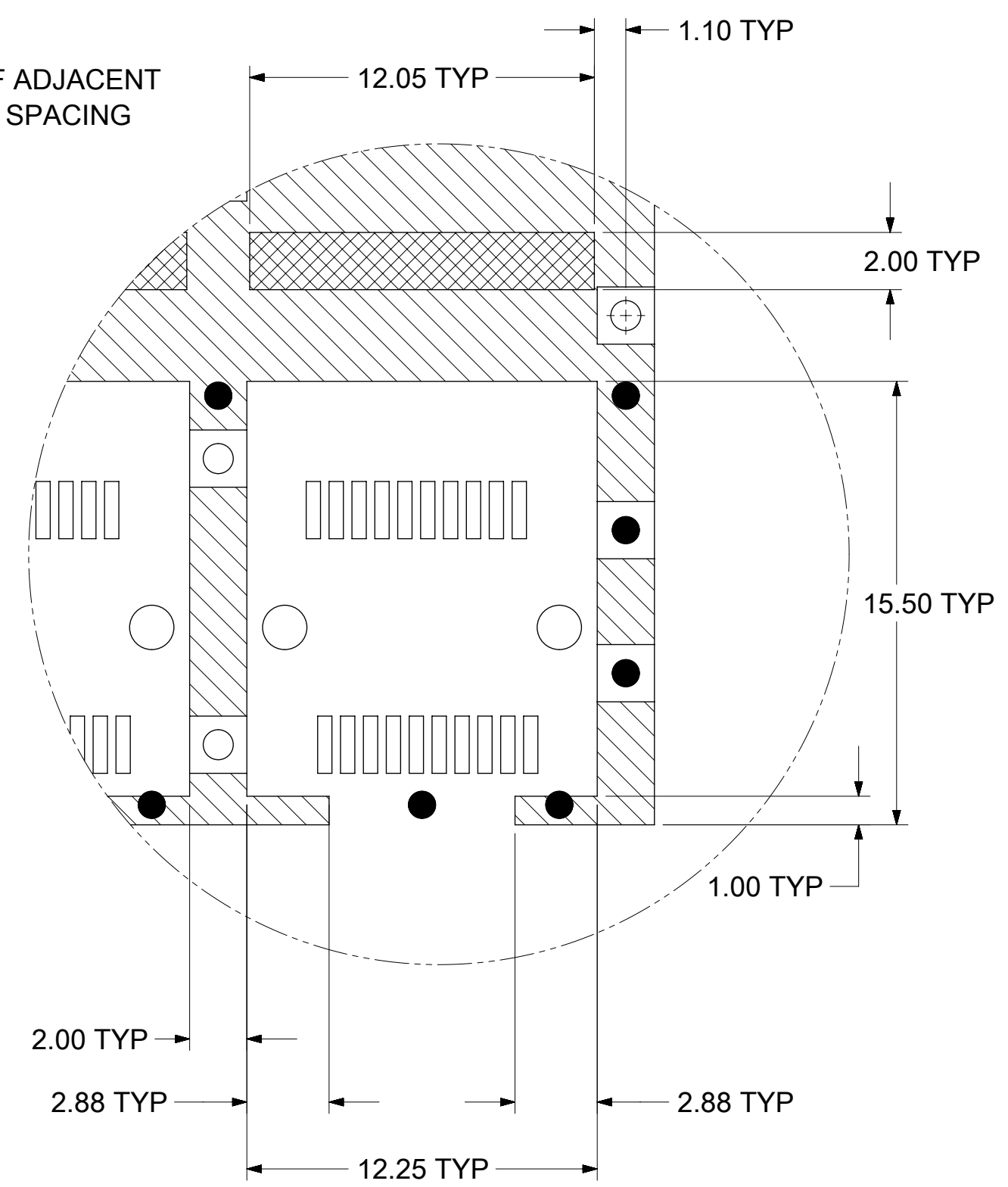
DOCUMENT NUMBER	DOC TYPE	DOC PART	REVISION
1111122620	PSD	ASY	H2

MATERIAL NUMBER	CUSTOMER	SHEET NUMBER
SEE SHEET 4	GENERAL MARKET	4 OF 9

PCB LAYOUT FOR SINGLE SIDE MOUNT



HOST CONNECTOR DETAIL



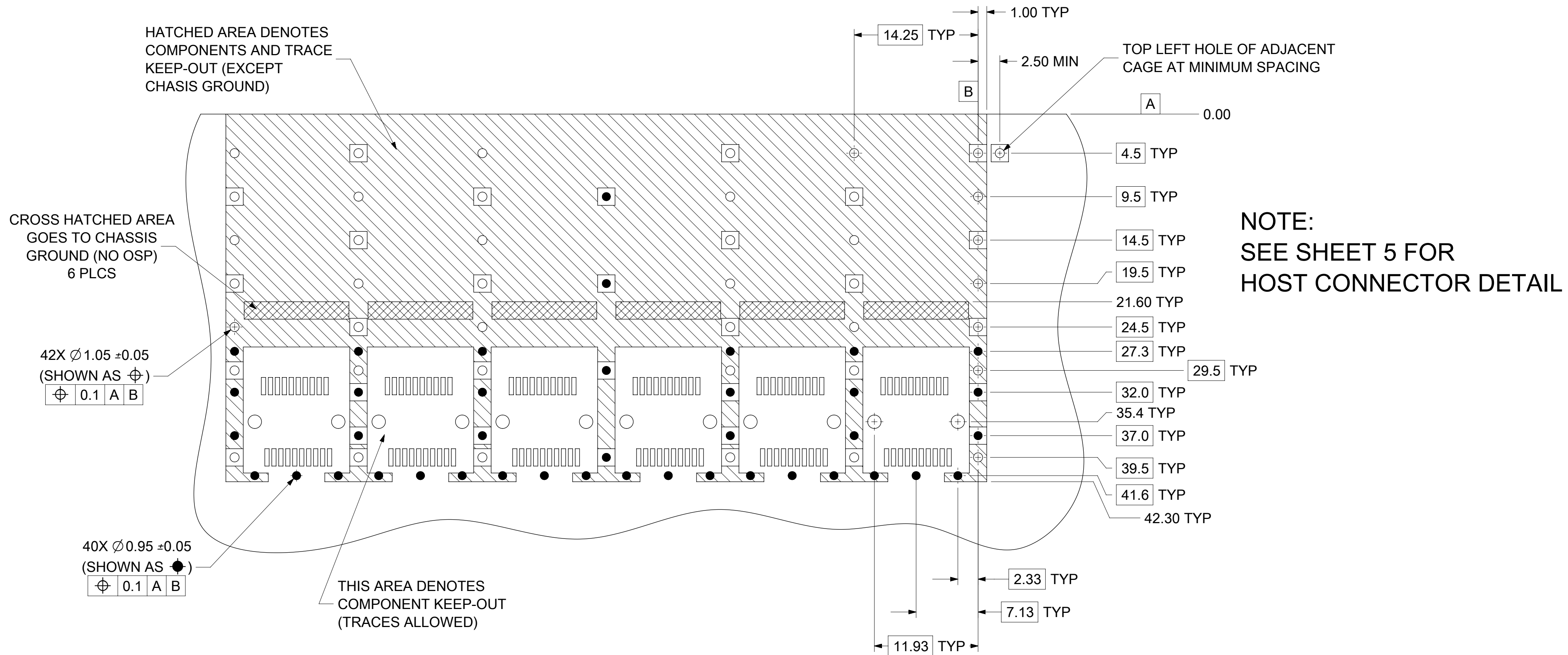
DETAIL 1
SCALE 5:1

- NOTES:
- PADS AND VIAS CONNECT TO CHASSIS GROUND (RECOMMEND PADS TO BE 2.00mm SQUARE)
 - RECOMMENDED THRU HOLE PLATING INCLUDES HASL, OSP, OR IMMERSION (GOLD, SILVER, OR TIN).
 - CONNECTOR PAD LAYOUT PER SFP+ MSA WILL ACCOMMODATE MOLEX CONNECTOR SERIES 74441 OR EQUIVALENT.
 - HOLE PATTERN REPEATS FOR EACH PORT. SPACING BETWEEN PORTS IS 14.25mm.
 - MIN PCB THICKNESS FOR SINGLE SIDED USE: 1.57mm

FUNCTIONAL SYMBOLS		THIS DRAWING CONTAINS INFORMATION THAT IS PROPRIETARY TO MOLEX ELECTRONIC TECHNOLOGIES, LLC AND SHOULD NOT BE USED WITHOUT WRITTEN PERMISSION		CURRENT REV DESC: SEE REVISION TABLE		molex	
$\frac{F}{A} = 0$	mm	SCALE	2.5:1	EC NO: 636888			
$\frac{F}{C} = 0$	GENERAL TOLERANCES (UNLESS SPECIFIED)			DRWN: DKUMARG		2020/05/04	
$\frac{F}{P} = 0$	ANGULAR TOL $\pm 1.0^\circ$			CHK'D: TKUMARKC		2020/05/05	
DIVISIONAL SYMBOLS		4 PLACES \pm		APPR: JCHIANG		2020/05/06	
		3 PLACES \pm		INITIAL REVISION:		DOCUMENT NUMBER	
		2 PLACES ± 0.15		DRWN: MHANUMAPPARE		1111122620	
		1 PLACE ± 0.25		APPR: RCHEN08		PSD ASY H2	
		0 PLACES \pm		THIRD ANGLE PROJECTION		MATERIAL NUMBER	
DRAFT WHERE APPLICABLE MUST REMAIN WITHIN DIMENSIONS		DRAWING		SERIES		CUSTOMER	
		C-SIZE		111112		GENERAL MARKET	
						SHEET NUMBER	
						5 OF 9	

DOCUMENT STATUS	P1	RELEASE DATE	2020/05/06 06:36:54
-----------------	----	--------------	---------------------

PCB LAYOUT FOR BELLY TO BELLY MOUNTING



- NOTES:**
1. PADS AND VIAS CONNECT TO CHASSIS GROUND (RECOMMEND PADS TO BE 2.00mm SQUARE)
 2. RECOMMENDED THRU HOLE PLATING INCLUDES HASL, OSP, OR IMMERSION (GOLD, SILVER, OR TIN).
 3. CONNECTOR PAD LAYOUT PER SFP+ MSA WILL ACCOMMODATE MOLEX CONNECTOR SERIES 74441 OR EQUIVALENT.
 4. HOLE PATTERN REPEATS FOR EACH PORT. SPACING BETWEEN PORTS IS 14.25mm.
 5. MIN PCB THICKNESS FOR BELLY TO BELLY USE: 3.00mm

FUNCTIONAL SYMBOLS $\overline{A} = 0$ $\overline{C} = 0$ $\overline{P} = 0$	THIS DRAWING CONTAINS INFORMATION THAT IS PROPRIETARY TO MOLEX ELECTRONIC TECHNOLOGIES, LLC AND SHOULD NOT BE USED WITHOUT WRITTEN PERMISSION		CURRENT REV DESC: SEE REVISION TABLE	
	DIMENSION UNITS	SCALE		
	mm	3:1		
	GENERAL TOLERANCES (UNLESS SPECIFIED)			
DIVISIONAL SYMBOLS 4 PLACES ± 3 PLACES ± 2 PLACES ± 0.15 1 PLACE ± 0.25 0 PLACES ±	ANGULAR TOL	± 1.0°	EC NO: 636888	
			DRWN: DKUMARG	2020/05/04
			CHK'D: TKUMARKC	2020/05/05
			APPR: JCHIANG	2020/05/06
DRAFT WHERE APPLICABLE MUST REMAIN WITHIN DIMENSIONS		THIRD ANGLE PROJECTION	DRAWING	SERIES
			C-SIZE	111112
DOCUMENT STATUS		RELEASE DATE	MATERIAL NUMBER	CUSTOMER
P1	2020/05/06 06:36:54	SEE SHEET 4	GENERAL MARKET	
		DOCUMENT NUMBER	DOC TYPE	DOC PART
		111122620	PSD	ASY
		SHEET NUMBER		
		6 OF 9		

molex

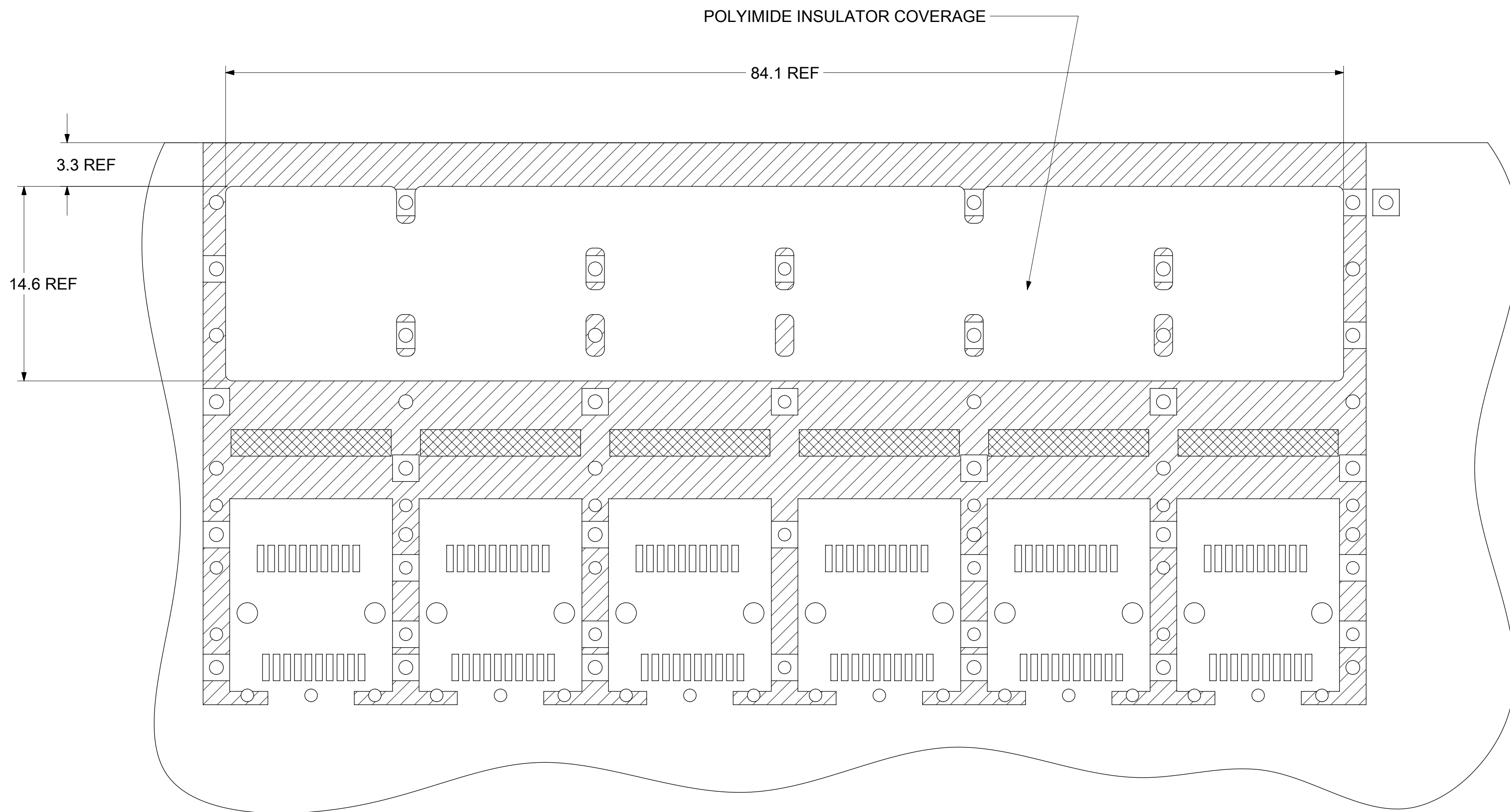
SFP+ 1X6 CAGE, .120 INCH PRESS FIT, HEAT SINKS, WITH EMI SPRING FINGERS

PRODUCT CUSTOMER DRAWING

111122620 PSD ASY H2

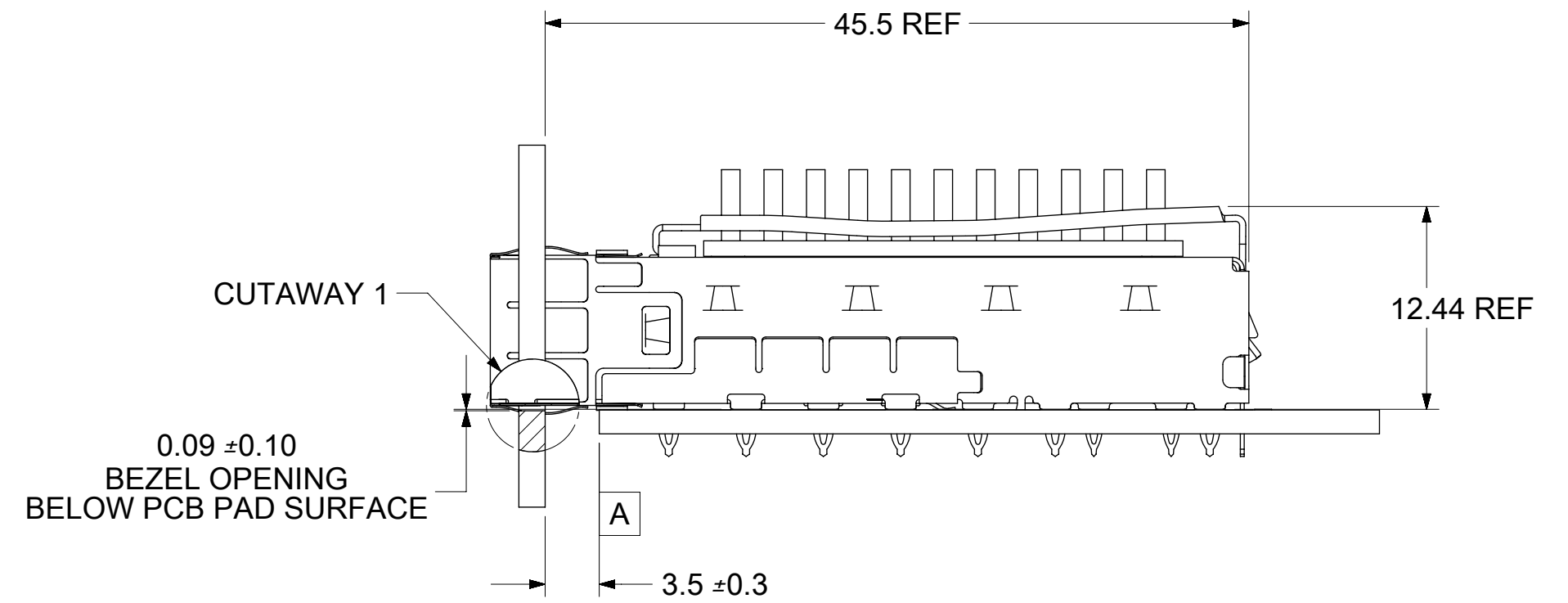
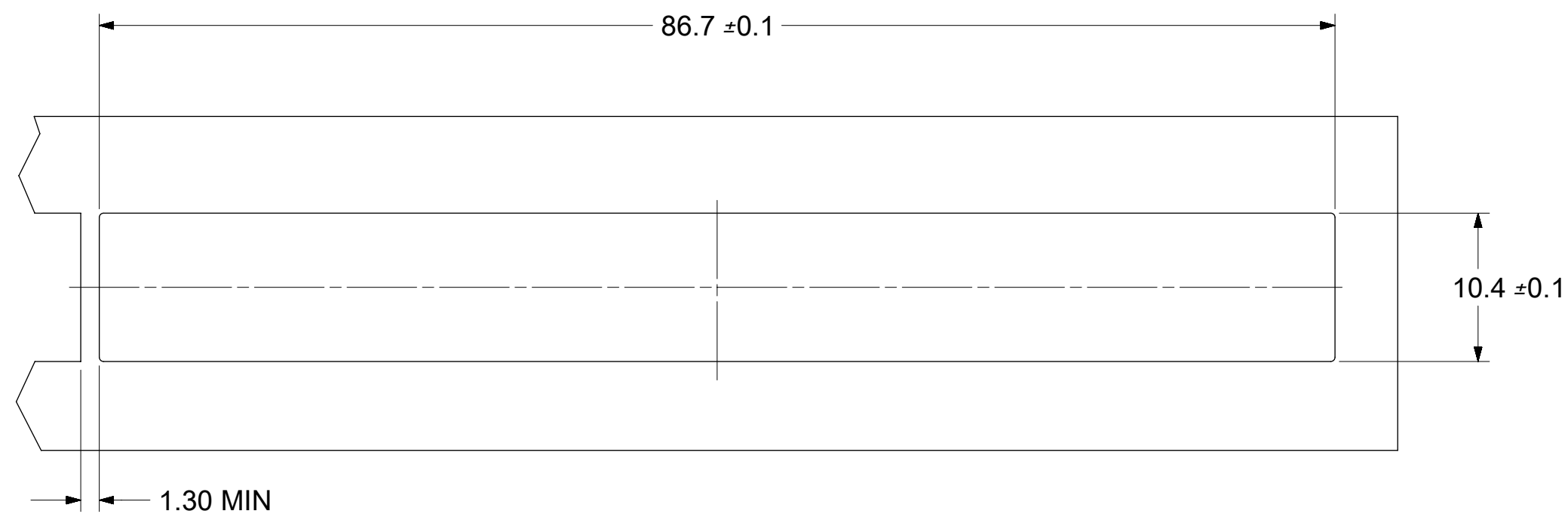
POLYIMIDE INSULATOR COVERAGE AREA

(APPLIES TO SINGLE SIDED AND BELLY TO BELLY)

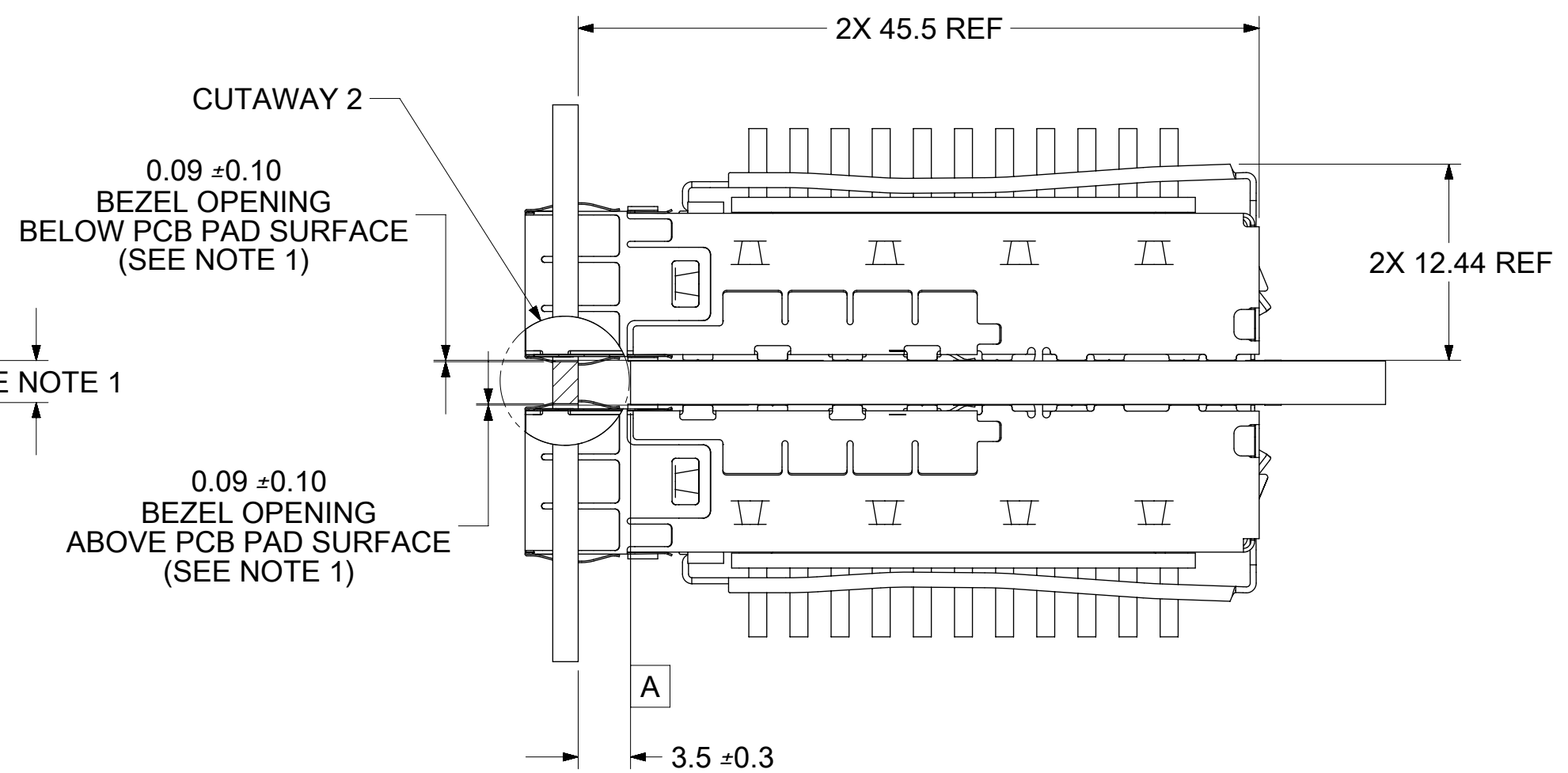


FUNCTIONAL SYMBOLS	THIS DRAWING CONTAINS INFORMATION THAT IS PROPRIETARY TO MOLEX ELECTRONIC TECHNOLOGIES, LLC AND SHOULD NOT BE USED WITHOUT WRITTEN PERMISSION		
	DIMENSION UNITS	SCALE	CURRENT REV DESC: SEE REVISION TABLE
$\nabla_A = 0$	mm	4:1	EC NO: 636888 DRWN: DKUMARG 2020/05/04 CHK'D: TKUMARKC 2020/05/05 APPR: JCHIANG 2020/05/06
$\nabla_C = 0$	GENERAL TOLERANCES (UNLESS SPECIFIED)		
$\nabla_P = 0$	ANGULAR TOL $\pm 1.0^\circ$		
DIVISIONAL SYMBOLS	4 PLACES	\pm	INITIAL REVISION:
	3 PLACES	\pm	DRWN: MHANUMAPPARE 2017/02/23
	2 PLACES	± 0.15	APPR: RCHEN08 2017/05/03
	1 PLACE	± 0.25	
	0 PLACES	\pm	
DRAFT WHERE APPLICABLE MUST REMAIN WITHIN DIMENSIONS		THIRD ANGLE PROJECTION	DRAWING SERIES
			C-SIZE 111112
DOCUMENT STATUS P1		RELEASE DATE 2020/05/06 06:36:54	DOCUMENT NUMBER 111122620
			DOC TYPE PSD
			DOC PART ASY
			REVISION H2
			MATERIAL NUMBER SEE SHEET 4
			CUSTOMER GENERAL MARKET
			SHEET NUMBER 7 OF 9

BEZEL AND BOARD POSITION DIMENSIONS FOR SINGLE SIDE MOUNTING



BEZEL AND BOARD POSITION DIMENSIONS FOR BELLY TO BELLY MOUNTING



NOTE:
1. PCB THICKNESS VARIATION MUST BE CONSIDERED WHEN DETERMINING BEZEL OPENING LOCATION.

FUNCTIONAL SYMBOLS	THIS DRAWING CONTAINS INFORMATION THAT IS PROPRIETARY TO MOLEX ELECTRONIC TECHNOLOGIES, LLC AND SHOULD NOT BE USED WITHOUT WRITTEN PERMISSION		CURRENT REV DESC: SEE REVISION TABLE		
	DIMENSION UNITS	SCALE			
$\frac{F}{A} = 0$	mm	2.5:1			SFP+ 1X6 CAGE, .120 INCH PRESS FIT, HEAT SINKS, WITH EMI SPRING FINGERS
$\frac{F}{C} = 0$	GENERAL TOLERANCES (UNLESS SPECIFIED)				
$\frac{F}{P} = 0$	ANGULAR TOL ± 1.0°				PRODUCT CUSTOMER DRAWING
DIVISIONAL SYMBOLS	4 PLACES ±		EC NO: 636888		
	3 PLACES ±		DRWN: DKUMARG 2020/05/04		
	2 PLACES ± 0.15		CHK'D: TKUMARKC 2020/05/05		
	1 PLACE ± 0.25		APPR: JCHIANG 2020/05/06		
	0 PLACES ±		INITIAL REVISION:		
	DRAFT WHERE APPLICABLE MUST REMAIN WITHIN DIMENSIONS		DRWN: MHANUMAPPARE 2017/02/23		DOCUMENT NUMBER 111122620
	THIRD ANGLE PROJECTION		APPR: RCHEN08 2017/05/03		DOC TYPE DOC PART REVISION PSD ASY H2
	DRAWING SERIES		MATERIAL NUMBER CUSTOMER SHEET NUMBER		SEE SHEET 4 GENERAL MARKET 8 OF 9

REV	DATE	DESCRIPTION
1	2011/06/21	1. INITIAL RELEASE
A	2011/06/30	1. UPDATED THE CAGE TOP TO INCLUDE HOLES FOR LIGHTPIPES.
B	2011/08/18	1. REVISED NOTES; CHANGED HEATSINK HEIGHT FROM 8.63 TO 6.5; TABULARIZED PCI, SAN, AND NETWORKING; ADDED HEATSINK HEIGHT WITH MODULE INSERTED [SHT1]. MOVED TABLE AND EXPLODED VIEW TO SHEET 2 AND REORDERED FOLLOWING SHEETS. REMOVED NOTE 6 [SHT1]. UPDATED VIEWS [SHT5]; REMOVED WELD SPOTS [SHT1]; UPDATED ALL SHEETS TO NEW FRAME.
C	2012/07/31	1. HIDE HEATSINK CLIP FROM TOP VIEW, REMOVED CUTAWAY AND ADDED "SEE TABLE ON SHEET 2" TO BOTTOM 1 VIEW, ADDED MODEL NOTATION IN TOP CORNER ON SHEET 1, MOVED VIEW FOR HEATSINK HEIGHT FROM SHEET 1 TO SHEET 2 AND REMOVED HEAT SINK HEIGHT TABLE FROM SHEET 1, ADDED KAPTON TAPE MODEL TO EXPLODED VIEW ON SHEET 2, REMOVED DIM 'B' FROM SHEET 2, EXPANDED P/N TABLE ON SHEET 2 TO INCLUDE HEAT SINK DIM AND KAPTON TAPE OPTIONS, REWORDED ANNOTATIONS FOR CORRECT ORIENTATION ON SHEET 5
D	2012/10/22	1. NEW SHEET 2: ISO VIEWS OF CAGE WITH THREE DIFFERENT SIZES EACH OF THREE DIFFERENT HEATSINK TYPES AND ISO VIEW OF CAGE WITH KAPTON TAPE OPTION, ANNOTATIONS TO POINT TO EACH HEATSINK SIZE, SIDE VIEW OF CAGE WITH DIMENSION, TABLES UNDER EACH VIEW WITH DIMENSIONS FOR EACH HEATSINK SIZE, SHEET TITLE. SHEET 3: REMOVED ISO VIEW AND REPLACED WITH 4 VIEWS OF CAGE WITHOUT HEATSINKS AND WITH EACH OF THREE DIFFERENT TYPES OF HEATSINK, ADDED TABLES BELOW EACH VIEW WITH PART NUMBERS ACCORDING TO HEATSINK TYPE AND SIZE AND PRESENCE OR ABSENCE OF KAPTON TAPE, ADDED SHEET TITLE. NEW SHEET 6: TWO VIEWS OF PCB FOR SINGLE SIDE AND BELLY TO BELLY MOUNTING SHOWING POLYIMIDE INSULATOR COVERAGE AND DIMENSIONS.
E	2013/02/08	1. ADDED EMI SPRING FINGER UNCOMPRESSED OVERALL DIMENSIONS TO FRONT VIEW, @F17 & 13. UPDATED FINISHED ASSEMBLY PRINTED PN/DATE CODE, ADDED BACK VIEW AND INNER WALL WELD NOTE, @E4. REMOVED BELLY ISO VIEW. ADDED DIMENSION 9.98 REF TOP OF COIN, @F7. MOVED MIN PCB THICKNESS NOTE TO RESPECTIVE PCB LAYOUT SHEETS. MOVED OPEN TOP VIEW & CUTOUT DIMENSIONS TO SHEET 2. (SHEET 1) 2. ADDED "REAR LEG OPTIONS" SECTION, @B16. REMOVED CAGES FROM HEATSINK OPTIONS VIEWS & UPDATED TABLES, @J2, J6 & J11. MOVED VIEW FROM I16 TO E9. ADDED ISO VIEW TO IDENTIFY UNDER BELLY GASKET @E3, TOP VIEW OF OPEN TOP & DIMENSIONS @J16. (SHEET 2) 3. ADDED PN'S 747540620, 747540622 & 1111110620 ADDING VIEWS AND PN TABLES. ADDED "SFP+" TO TABLES (SHEET 3) 4. REMOVED SINGLE SIDED VIEW AND ADDED APPLICATION NOTE TO TOP OF SHEET. (SHEET 6) 5. ADDED CENTER LINES TO BEZELS. REMOVED CUTAWAY 1 & 3 SIDE VIEWS, RENAMED CUTAWAY 2 TO CUTAWAY 1 AND CUTAWAY 4 TO CUTAWAY 2. REMOVED "SEE NOTE 1" FROM BEZEL OPENING DIMENSION "10.4±0.1", @K10. ADDED "SEE NOTE 1" @E10. REMOVED "SIZE AND" FROM NOTE 1. CORRECTED 3D MODEL CHANGING DIMENSION 12.48 TO 12.44, @K1 & F1. (SHEET 7) 6. MOVED NOTES TO BOTTOM LEFT CORNER AND INCREASED TEXT HEIGHT. (SHEETS 1, 4, 5 & 7)
F	2014/02/11	1. CHANGED "WILL" TO "MAY" IN NOTE 4 ON SHEET 1. 2. REMOVED ISO VIEW AND ADDED RIGHT SIDE VIEW @E4 SHEET 2. ADDED NEW SHEET 3 WITH 100115-0620. 3. REMOVED DATE CODE AND NOTES FROM VIEW @E10 AND ADDED TO VIEW @E7 AND UPDATED MATERIAL NO. "WAS" 3 "NOW" 4 ON SHEETS 1, 2, 5 - 9. 4. MOVED HEATSINK NOTES TO LOWER LEFT CORNER AND ADDED VIEW AND PN TABLE FOR 1001150620 ON SHEET 4. 5. REMOVED 111111-0620 FROM SHEET 4 AND REPLACED WITH ISO VIEW AND TABLE FOR 100115-0620. 6. REVISED NOTE "WAS SEE SHEET 2 "NOW" SEE SHEET 5 @I3 SHEET 6.
G	2017/02/24	REMASTERED FROM SD-111112-2620 REV_F TO 1111122620 PSD ASY REV_G IN NX SHEET 8 : D1 : ADDED 2X TO THE DIM 12.44 REF
H	2017/11/02	SHEET 2: D2: CHANGED TO DOUBLE ROWS FOR DATE CODE. SHEET 4: P/N 1111128620 OBSOLETE
H1	2019/12/19	SHEET 4: P/N 1111124620 OBSOLETE
H2	2020/05/04	SHEET 01 : E11 :REMOVED "UNWANTED WELDING SPOT" AT THIS LOCATION SHEET 03 : E11 :REMOVED "UNWANTED WELDING SPOT" AT THIS LOCATION

FUNCTIONAL SYMBOLS										THIS DRAWING CONTAINS INFORMATION THAT IS PROPRIETARY TO MOLEX ELECTRONIC TECHNOLOGIES, LLC AND SHOULD NOT BE USED WITHOUT WRITTEN PERMISSION															
DIMENSION UNITS		SCALE		CURRENT REV DESC: SEE REVISION TABLE																					
mm		1:1		<p>EC NO: 636888</p> <p>DRWN: DKUMARG 2020/05/04</p> <p>CHK'D: TKUMARKC 2020/05/05</p> <p>APPR: JCHIANG 2020/05/06</p> <p>INITIAL REVISION:</p> <p>DRWN: MHANUMAPPARE 2017/02/23</p> <p>APPR: RCHEN08 2017/05/03</p>																					
GENERAL TOLERANCES (UNLESS SPECIFIED)																									
ANGULAR TOL ± 1.0°																									
4 PLACES ±																									
DIVISIONAL SYMBOLS										PRODUCT CUSTOMER DRAWING															
3 PLACES ±				DOCUMENT NUMBER																					
2 PLACES ± 0.15				1111122620																					
1 PLACE ± 0.25				PSD ASY H2																					
0 PLACES ±				MATERIAL NUMBER CUSTOMER SHEET NUMBER																					
DRAFT WHERE APPLICABLE MUST REMAIN WITHIN DIMENSIONS		THIRD ANGLE PROJECTION		DRAWING		SERIES		SEE SHEET 4		GENERAL MARKET		9 OF 9													