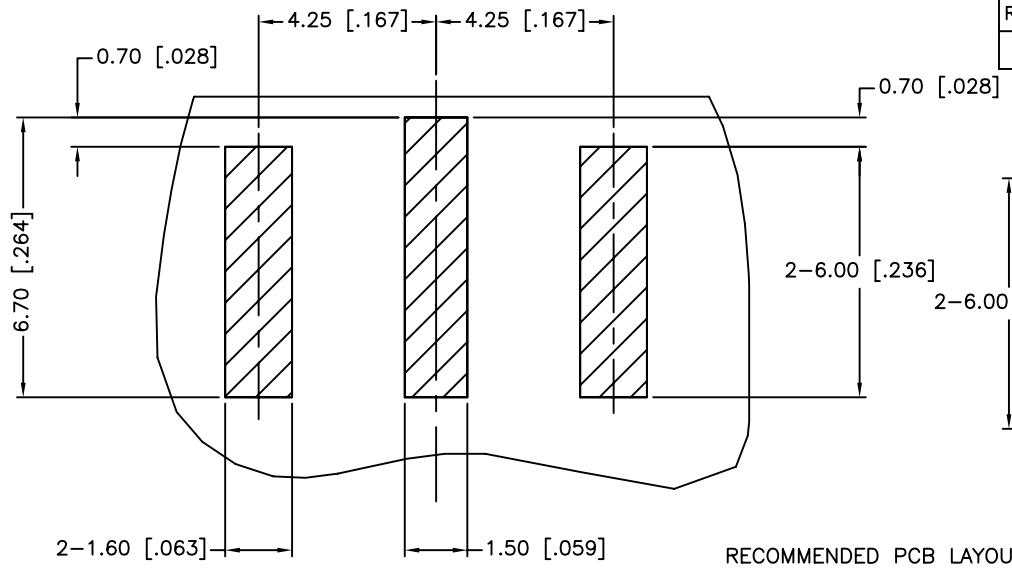
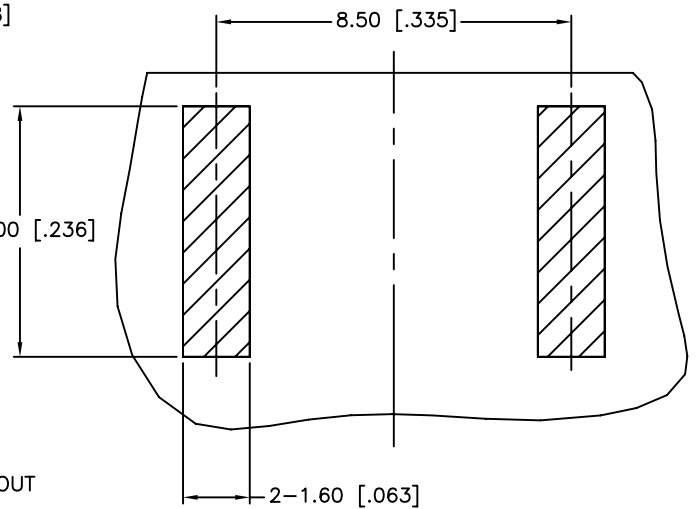


REV.	DATE	ECR NO.	DESCRIPTION
NC	10/25/10	XXXXXX	INITIAL RELEASE

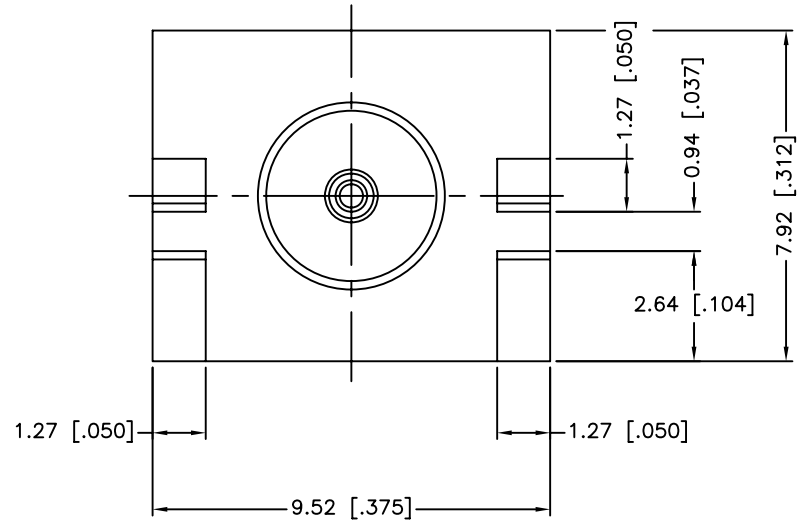
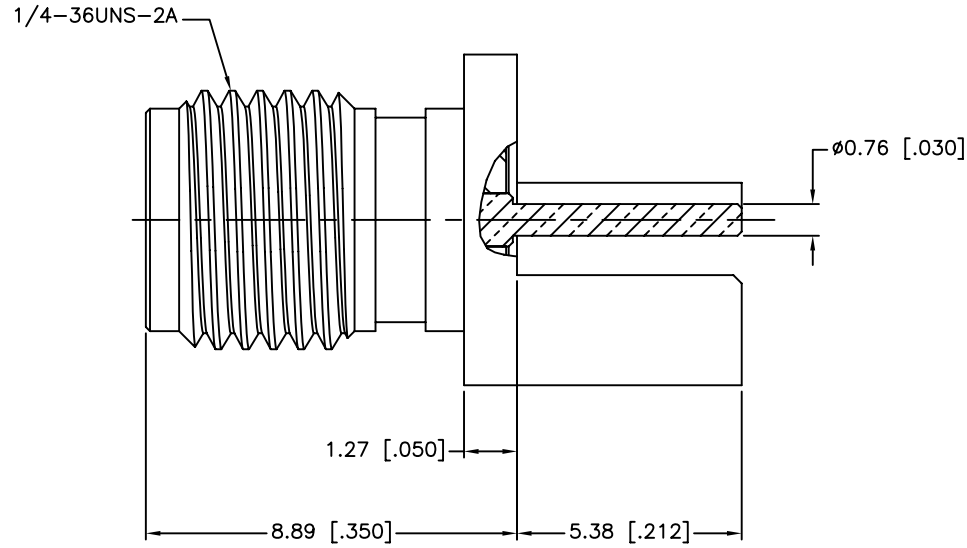


TOP VIEW

RECOMMENDED PCB LAYOUT



BOTTOM VIEW



3	CONTACT PIN	BER. COPPER	GOLD	1
2	INSULATOR	PTFE	NATURAL	1
1	BODY	BRASS	GOLD	1
DESCRIPTION	MATERIAL	FINISH	QTY	

UNLESS OTHERWISE SPECIFIED DIMENSIONS ARE IN MILLIMETERS. DIMENSIONS IN [] ARE IN INCHES AND FOR CUSTOMER REFERENCE ONLY.

UNLESS OTHERWISE SPECIFIED TOLERANCES FOR MILLIMETERS ARE:
0.5 - 8mm ± 0.20mm
8 - 30mm ± 0.40mm
30 - 120mm ± 0.50mm

UNLESS OTHERWISE SPECIFIED TOLERANCES FOR INCHES ARE:
.020 - .315 = ± 0.007"
.315 - 1.180 = ± 0.015"
1.180 - 4.724 = ± 0.020"

DO NOT SCALE DRAWING

APPROVALS	DATE
DRAWN M.ZHANG	10/25/10
CHECKED	
ISSUED	
SHEET 1 OF 1	
CAD FILE C:/CONNEX/132415.DWG	

Amphenol Connex

PART DESCRIPTION
**SMA END LAUNCH RECEPT. JACK
(.032" BOARD THICKNESS)**

PART NO.
132415

DWG. NO. 132415.DWG REV. NC SIZE A SCALE NA