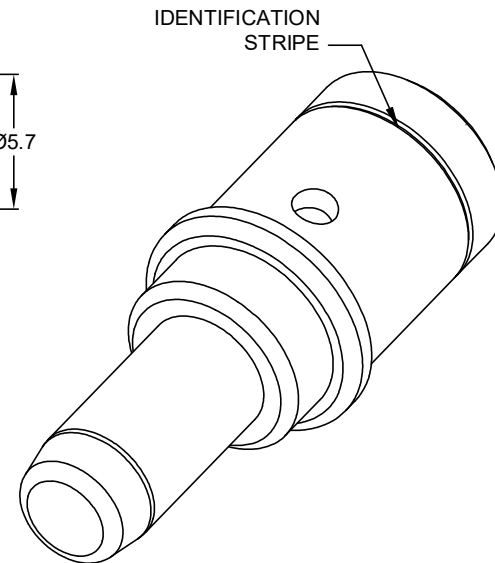
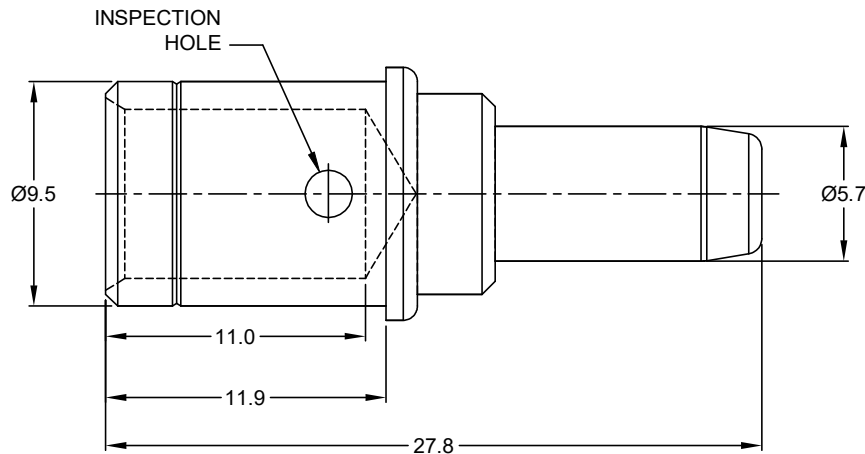
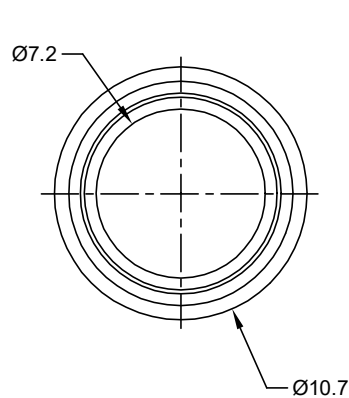


REVISIONS					
REV	ECO	DESCRIPTION	DATE	BY	APPR
A1	-	RELEASE DRAWING	11/OCT/19	PETER	TOMMY
A2	-	ADD CRIMP TOOL	22/MAR/21	MILO	TOMMY



PLATING	PART NUMBER	REFERENCE
NICKEL	AT60-203-04141-4	5960-203-04141
GOLD	AT60-203-0431-4	5960-203-0431

NOTES: UNLESS OTHERWISE SPECIFIED

- MATERIAL: COPPER ALLOY; NICKEL PLATED
- CONTACT SIZE: 4
- SPECIFICATIONS:
 - CURRENT RATING: 100 AMP
 - CONTACT MILLIVOLT DROP: 60 MILLIVOLT DROP @ 100 AMP TEST CURRENT.
 - ROHS COMPLIANT
- RECOMMENDED WIRE RANGE: 4 AWG(21-25mm²) .
- AVAILABLE PNEUMATIC CRIMP TOOL:WA23
- ALL DIMENSIONS ARE FOR REFERENCE USE ONLY

SEE TABLE					
PART NUMBER		DESCRIPTION		ITEM	
QUANTITY	MATERIALS LIST				
UNLESS OTHERWISE SPECIFIED 1) All dimensions are in metric(mm). 2) Tolerances are as follows: 1 PL DEC ±0.30 2 PL DEC ±0.15 3 PL DEC ±0.08 Fractions ±1/64 Angles ±1° 3) Note reference =		SIGNATURES DRAWN: MILO.DONG CHECKED: ORION.LI ENGINEER: APPROVAL: TOMMY.XIE		DATE 22/MAR/21 23/MAR/21 24/MAR/21	
MATERIAL SPECIFICATIONS:		CUSTOMER:		<h1 style="text-align: center;">Amphenol</h1> <p style="text-align: center;">Sine Systems - www.amphenol-sine.com 44724 Morley Drive Clinton Township, MI 48036</p> <p style="text-align: center;">CONTACT PIN, SIZE 4, 4 AWG</p>	
PROCESS SPECIFICATIONS:		THIS DRAWING IS SUPPLIED FOR INFORMATION ONLY. DESIGN FEATURES, SPECIFICATIONS AND PERFORMANCE DATA SHOWN HEREON ARE THE PROPERTY OF THE AMPHENOL CORPORATION. NO RIGHTS OF REPRODUCTION ARE IMPLIED. ALL DIMENSIONS ARE SUBJECT TO NORMAL MANUFACTURING VARIATIONS.			
NEXT ASSY:		SIZE A	TYPE C-	DWG NO. AT60-203-04XX-4	REVISION A2
SCALE: NONE				SHEET 1 OF 1	